



US00D967242S

(12) **United States Design Patent**
Xu

(10) **Patent No.:** **US D967,242 S**
(45) **Date of Patent:** **** Oct. 18, 2022**

(54) **TRIPOD**

(71) Applicant: **SHENZHEN YUANSU CHUANGDA TECHNOLOGY CO., LTD**, Shenzhen (CN)

(72) Inventor: **Xibin Xu**, Shenzhen (CN)

(73) Assignee: **SHENZHEN YUANSU CHUANGDA TECHNOLOGY CO., LTD**, Shenzhen (CN)

(**) Term: **15 Years**

(21) Appl. No.: **29/780,986**

(22) Filed: **Apr. 27, 2021**

(30) **Foreign Application Priority Data**

Mar. 17, 2021 (CN) 202130144691.3

(51) **LOC (13) Cl.** **16-05**

(52) **U.S. Cl.**
USPC **D16/244**

(58) **Field of Classification Search**
USPC D16/132, 237, 241–245, 250;
D8/354–355, 363, 382; D14/224, 229,
D14/251; D26/93, 111, 118
CPC F16M 11/06; F16M 11/08; F16M 11/10;
F16M 11/14; F16M 11/247; F16M 11/32;
G03B 17/561
See application file for complete search history.

(56) **References Cited**

U.S. PATENT DOCUMENTS

- 3,836,986 A * 9/1974 Kawazoe F16M 11/16
396/419
- D532,436 S * 11/2006 Kruse D16/244
- D704,486 S * 5/2014 Cho D6/708.25
- D821,483 S * 6/2018 Vitale D16/244
- D822,092 S * 7/2018 Bergman F16M 11/28
D16/244
- D841,722 S * 2/2019 Bergman D16/242

- D853,613 S * 7/2019 Lien D26/63
- D880,571 S * 4/2020 Harrison D16/242
- D882,672 S * 4/2020 Xia D16/243

(Continued)

FOREIGN PATENT DOCUMENTS

CN 306654944 * 7/2021

OTHER PUBLICATIONS

“Kiwifotos Tripod,” date not available, retrieved Aug. 5, 2022 from <https://www.newegg.com/p/2XW-00SV-000U7> (Year: 2022).*

(Continued)

Primary Examiner — Maria J. Edwards

Assistant Examiner — Dina Michelle Hoeynck

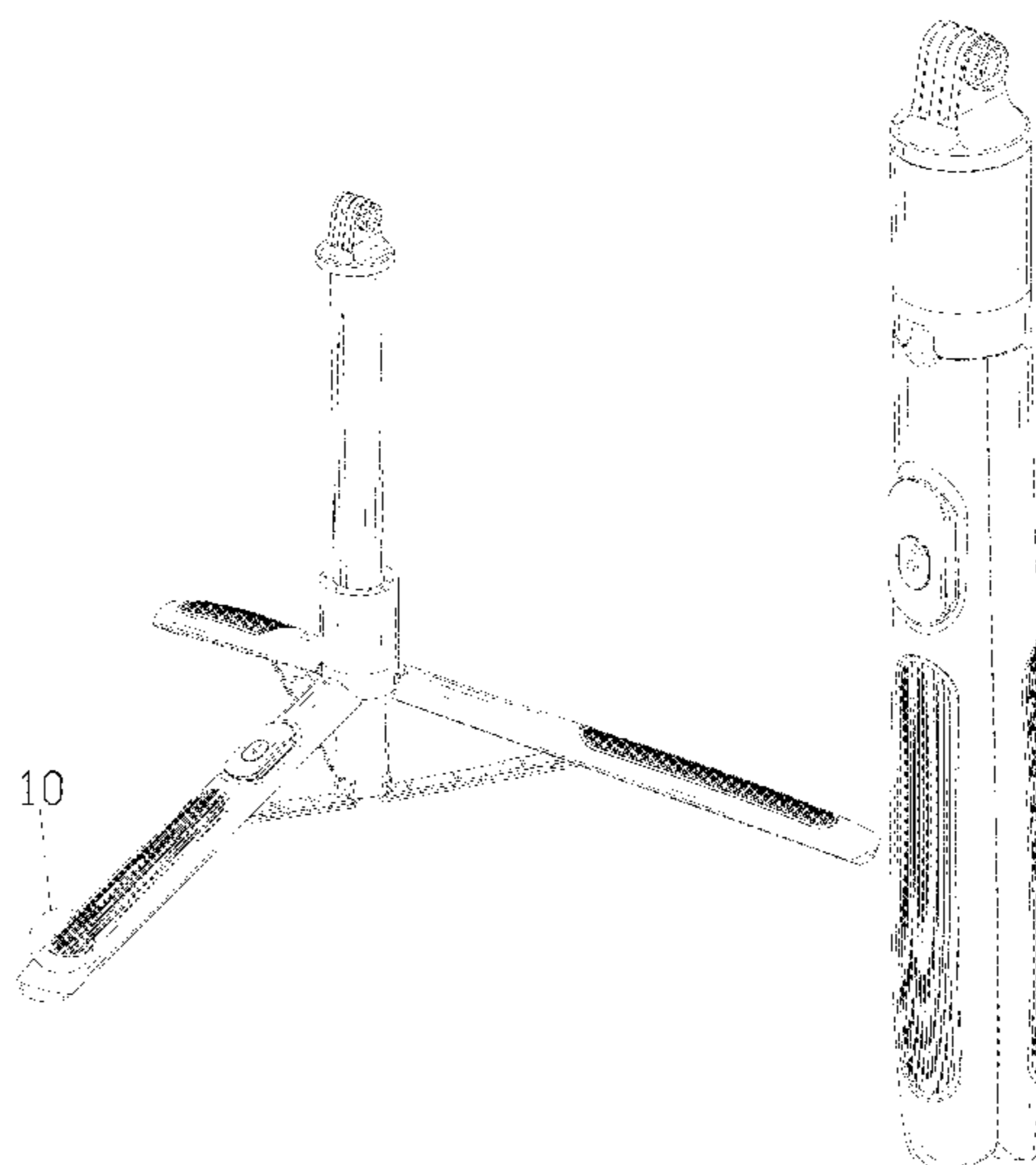
(57) **CLAIM**

The ornamental design for a tripod, as shown and described.

DESCRIPTION

FIG. 1 is a perspective view of a tripod showing my new design;
 FIG. 2 is another perspective view thereof;
 FIG. 3 is a front elevational view thereof;
 FIG. 4 is a rear elevational view thereof;
 FIG. 5 is a left side elevational view thereof;
 FIG. 6 is a right side elevational view thereof;
 FIG. 7 is a top plan view thereof;
 FIG. 8 is a bottom plan view thereof;
 FIG. 9 is a perspective view of the tripod where the tripod is in a configuration of use;
 FIG. 10 is an enlarged view of portion 10 shown in FIG. 1; and,
 FIG. 11 is an enlarged view of portion 11 shown in FIG. 3.
 The broken lines in the drawings depict portions of the tripod that form no part of the claimed design.

1 Claim, 11 Drawing Sheets



(56)

References Cited

U.S. PATENT DOCUMENTS

D883,369 S * 5/2020 Xia D16/243
D893,582 S * 8/2020 Vitale D16/244
D911,427 S * 2/2021 Silva Casas D16/244
D918,286 S * 5/2021 Lin D16/244
D923,689 S * 6/2021 Xia D16/243
2019/0128469 A1 * 5/2019 Lu F16M 11/041
2021/0368970 A1 * 12/2021 Xu F16M 11/28

OTHER PUBLICATIONS

“Atumtek 60 inch Selfie Stick Tripod,” first available Apr. 9, 2021, retrieved Aug. 5, 2022 from <https://www.amazon.com/ATUMTEK-Extendable-Bluetooth-Recording-Streaming/dp/B0923WVVN4/> (Year: 2021).*

* cited by examiner

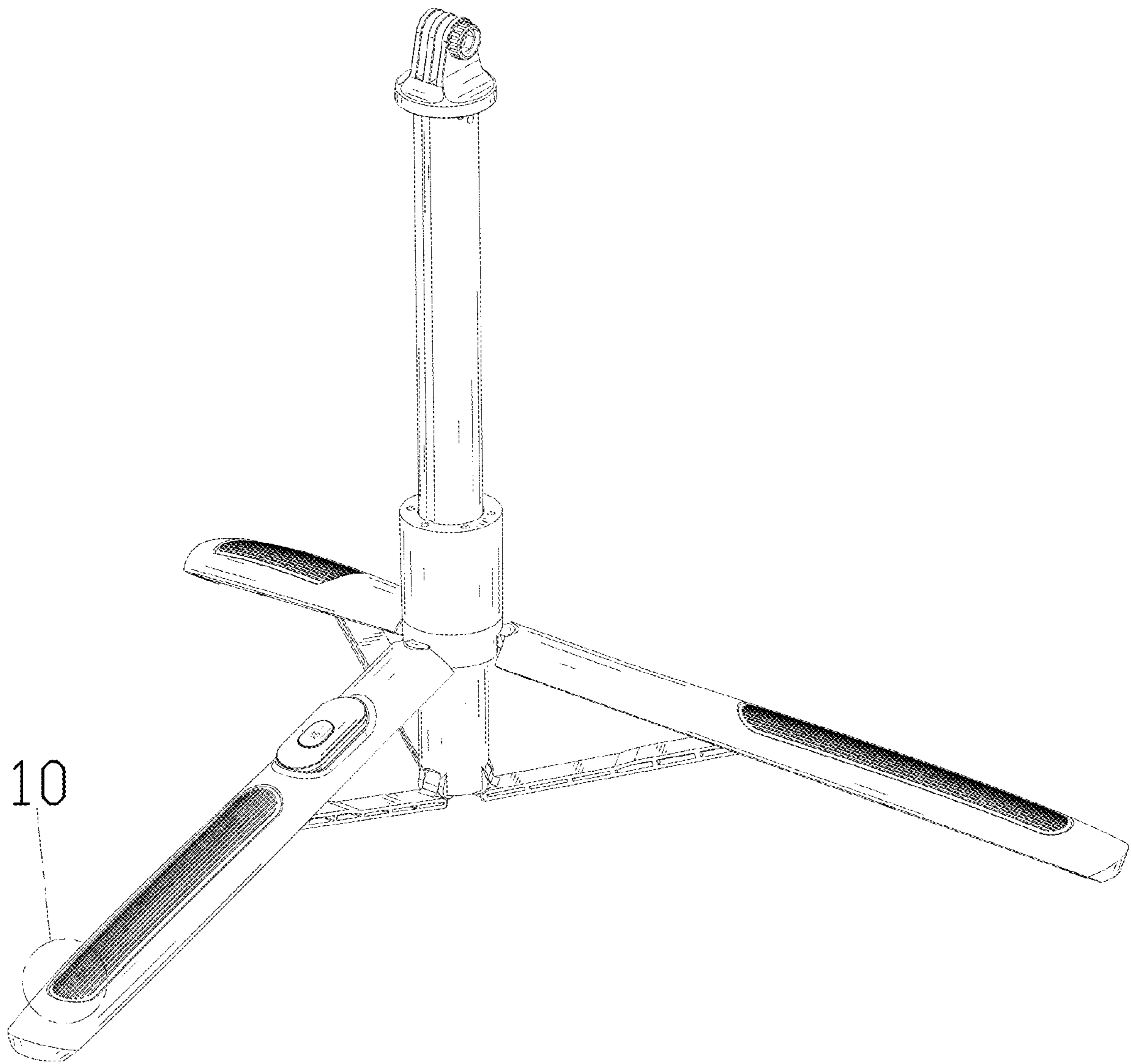


FIG. 1

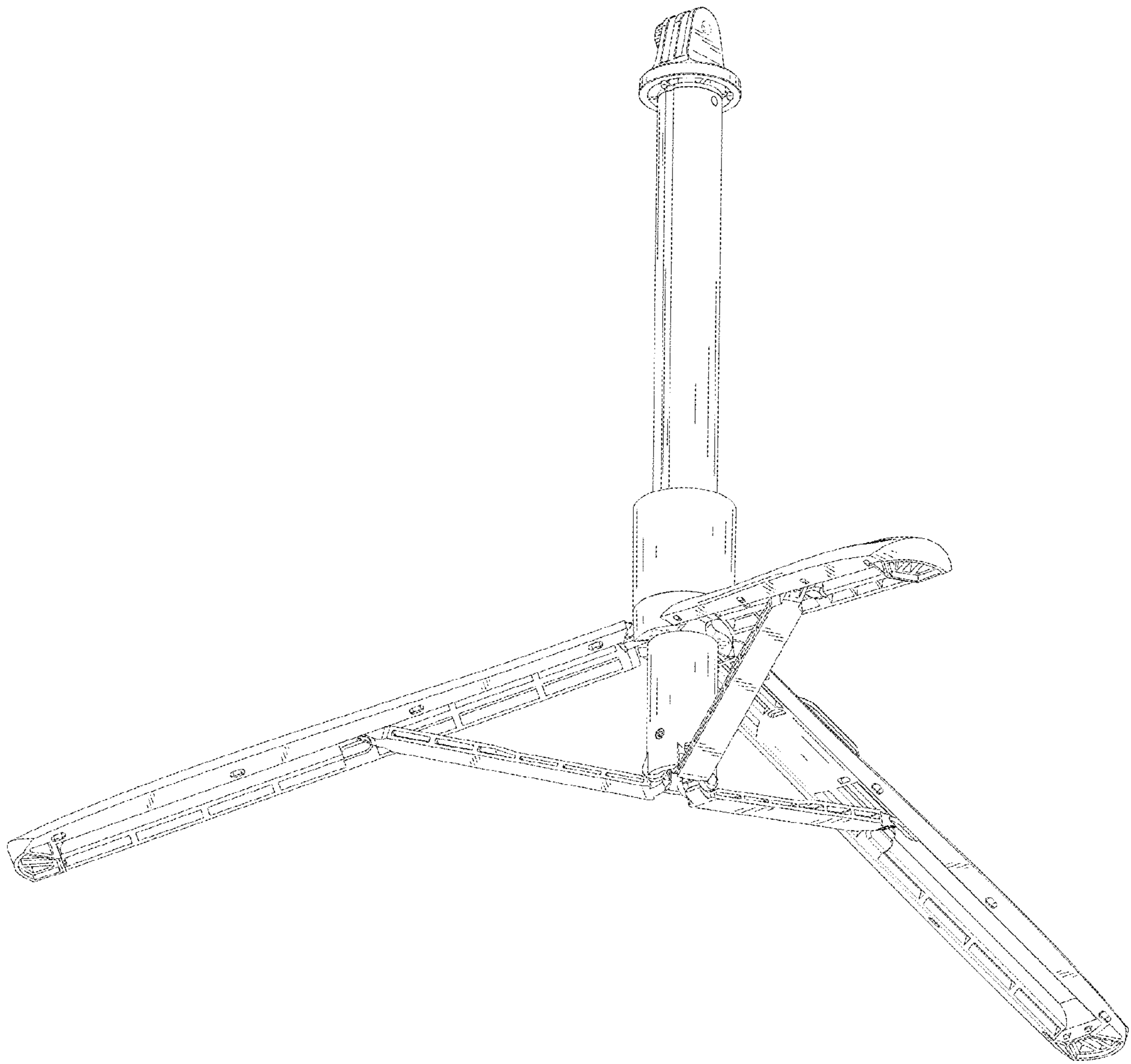


FIG. 2

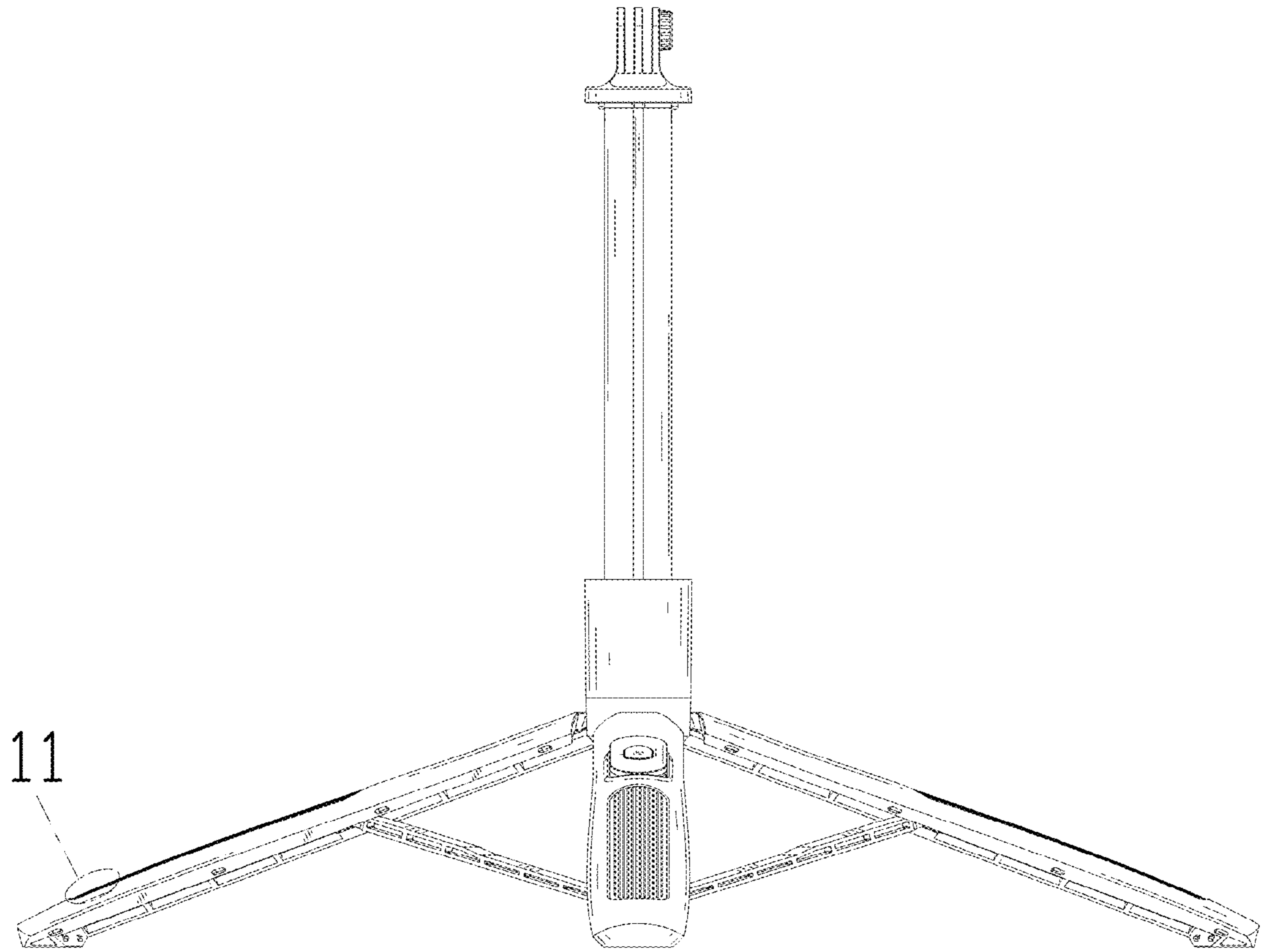


FIG. 3

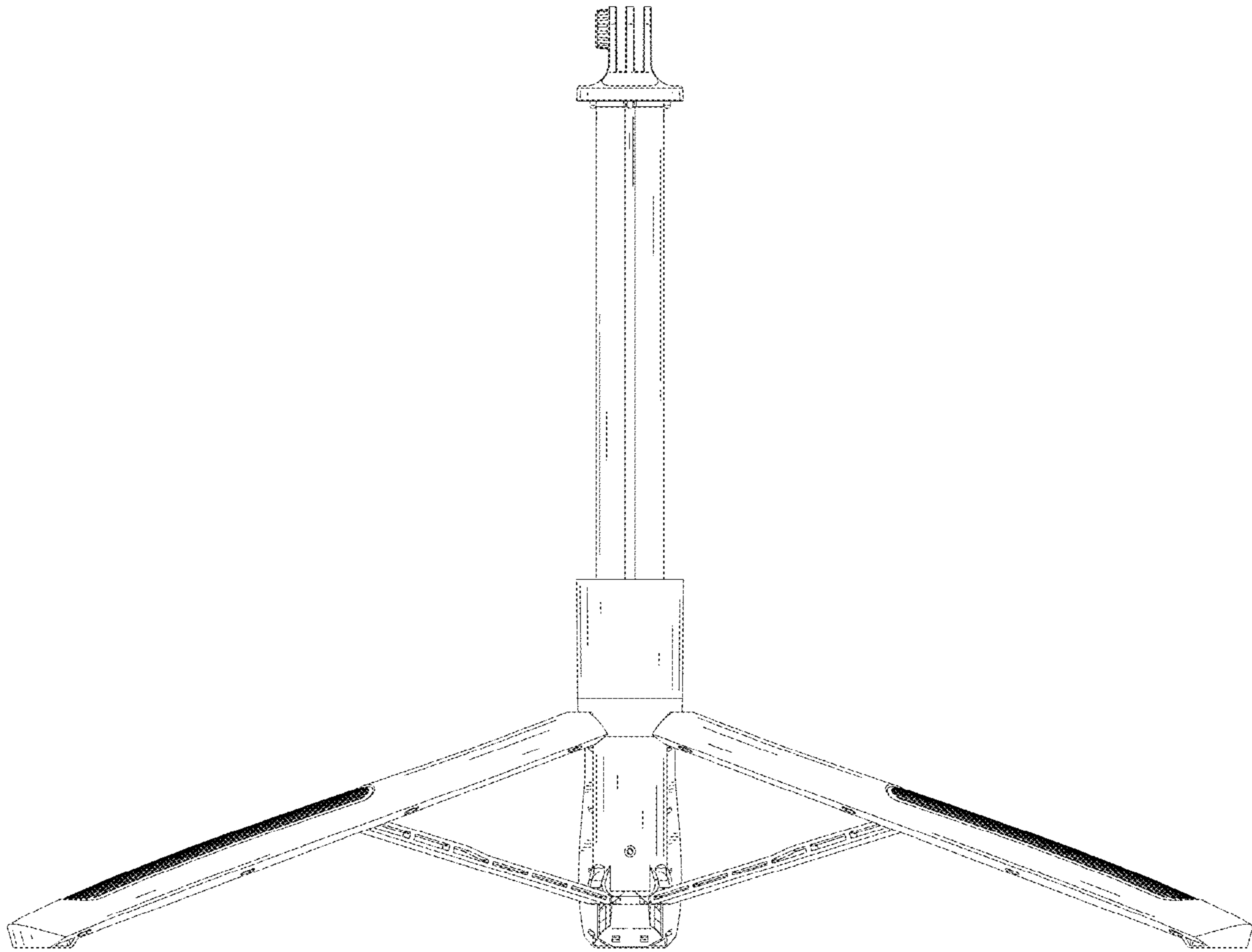


FIG. 4

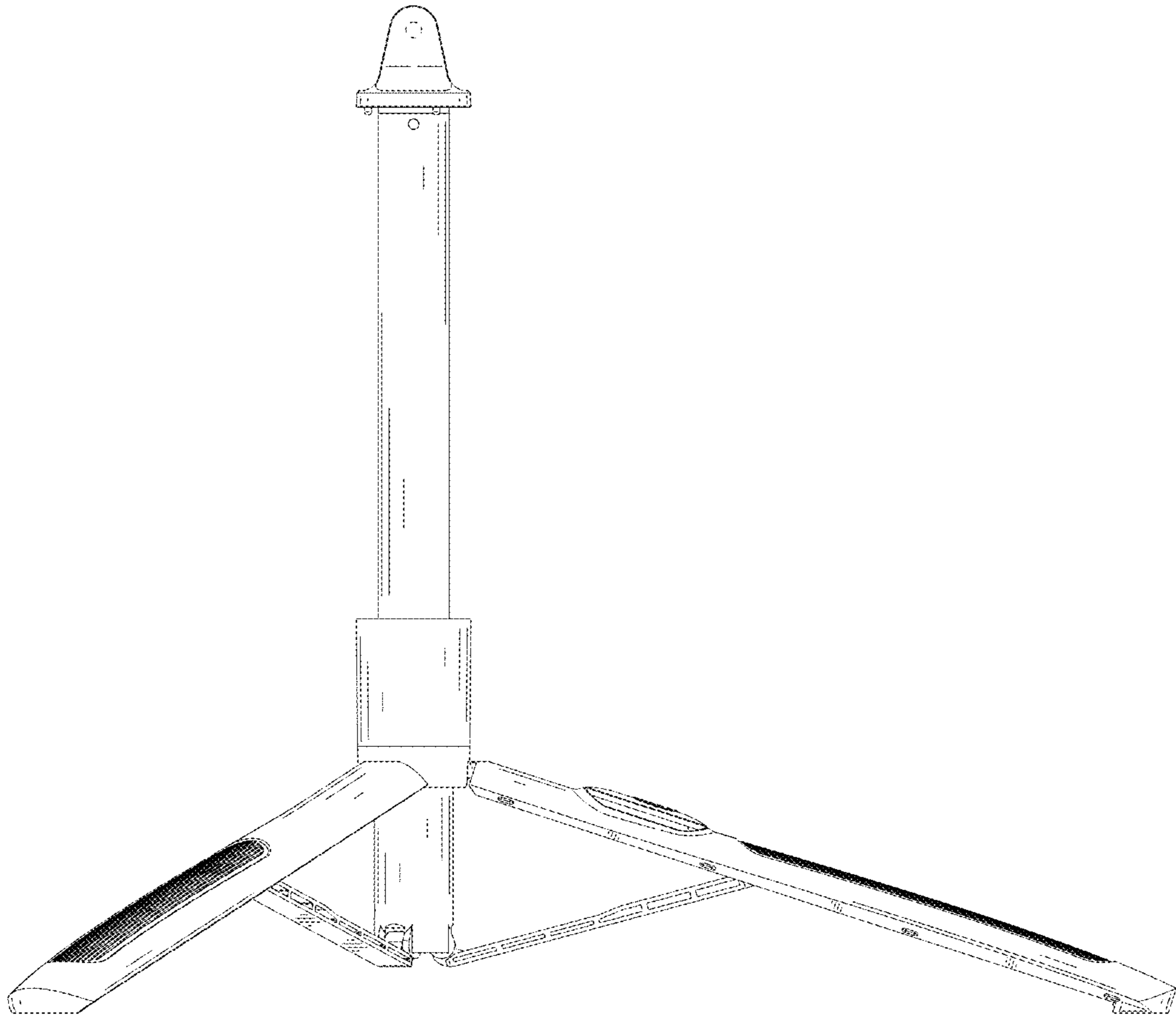


FIG. 5

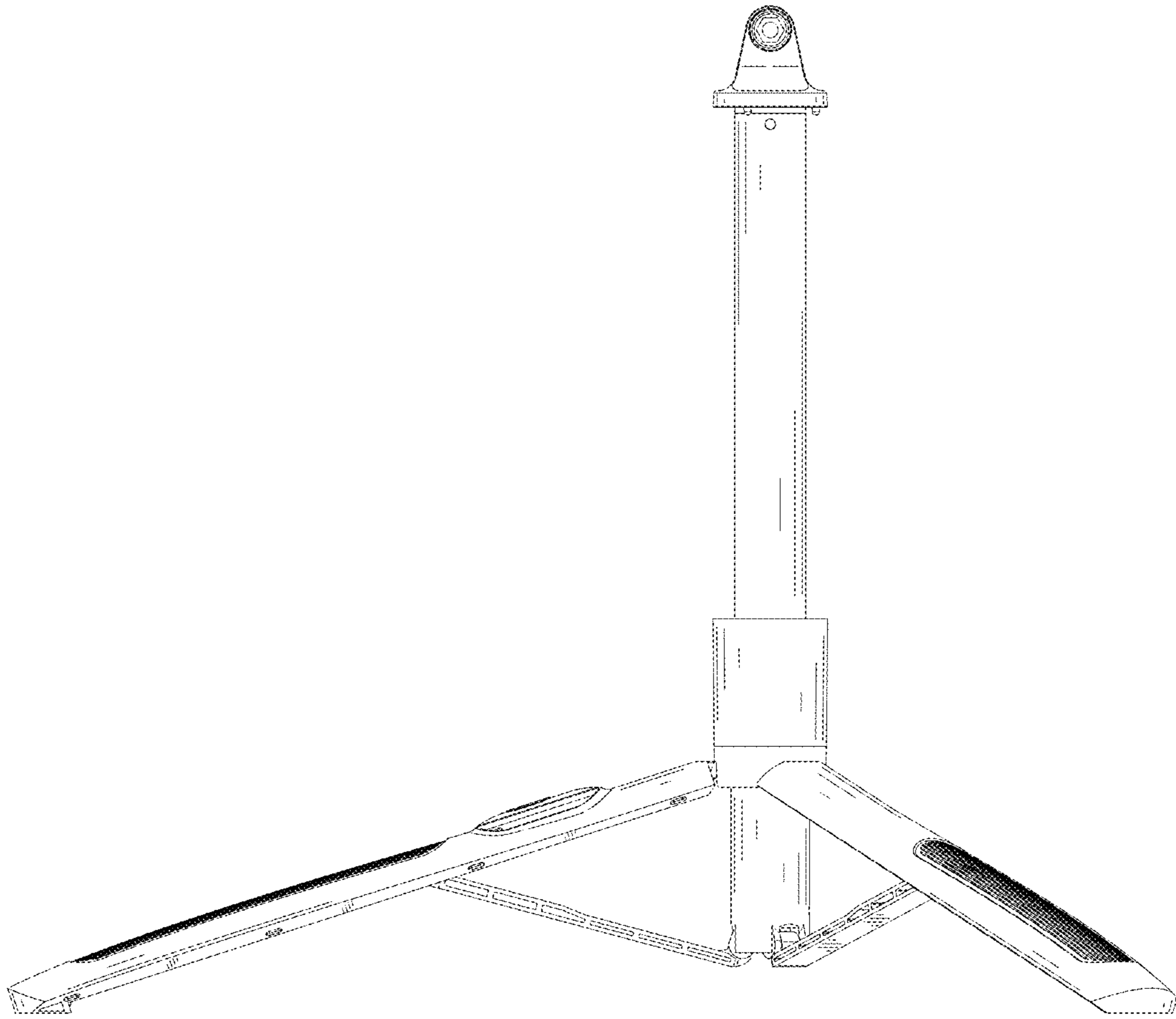


FIG. 6

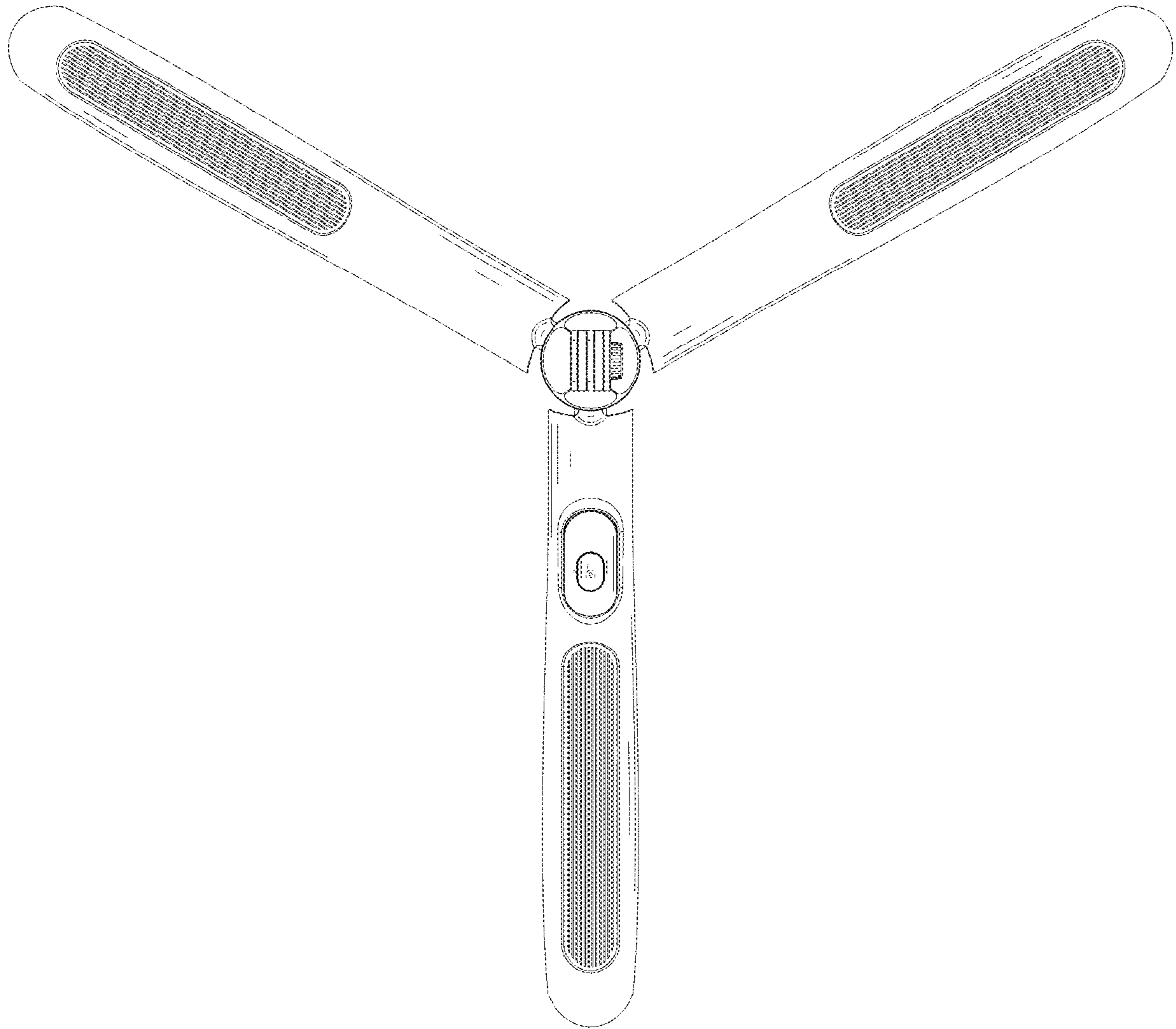


FIG. 7

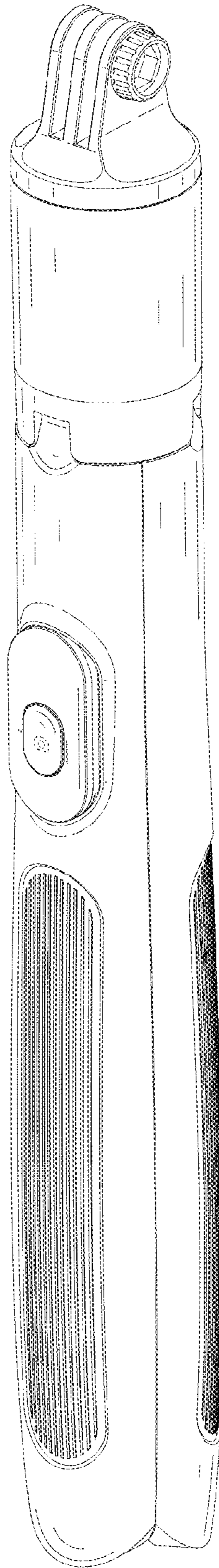


FIG. 9

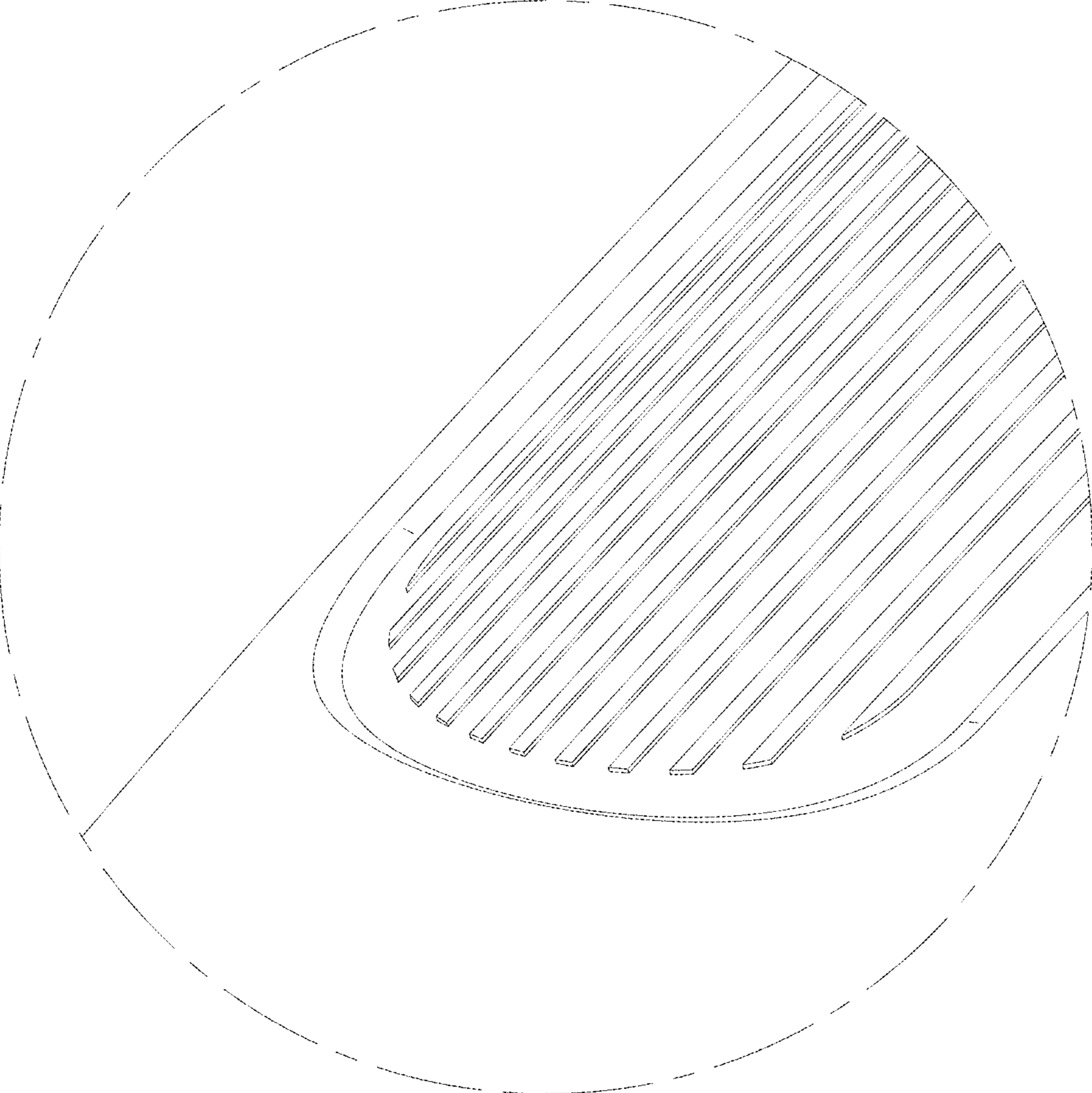


FIG. 10

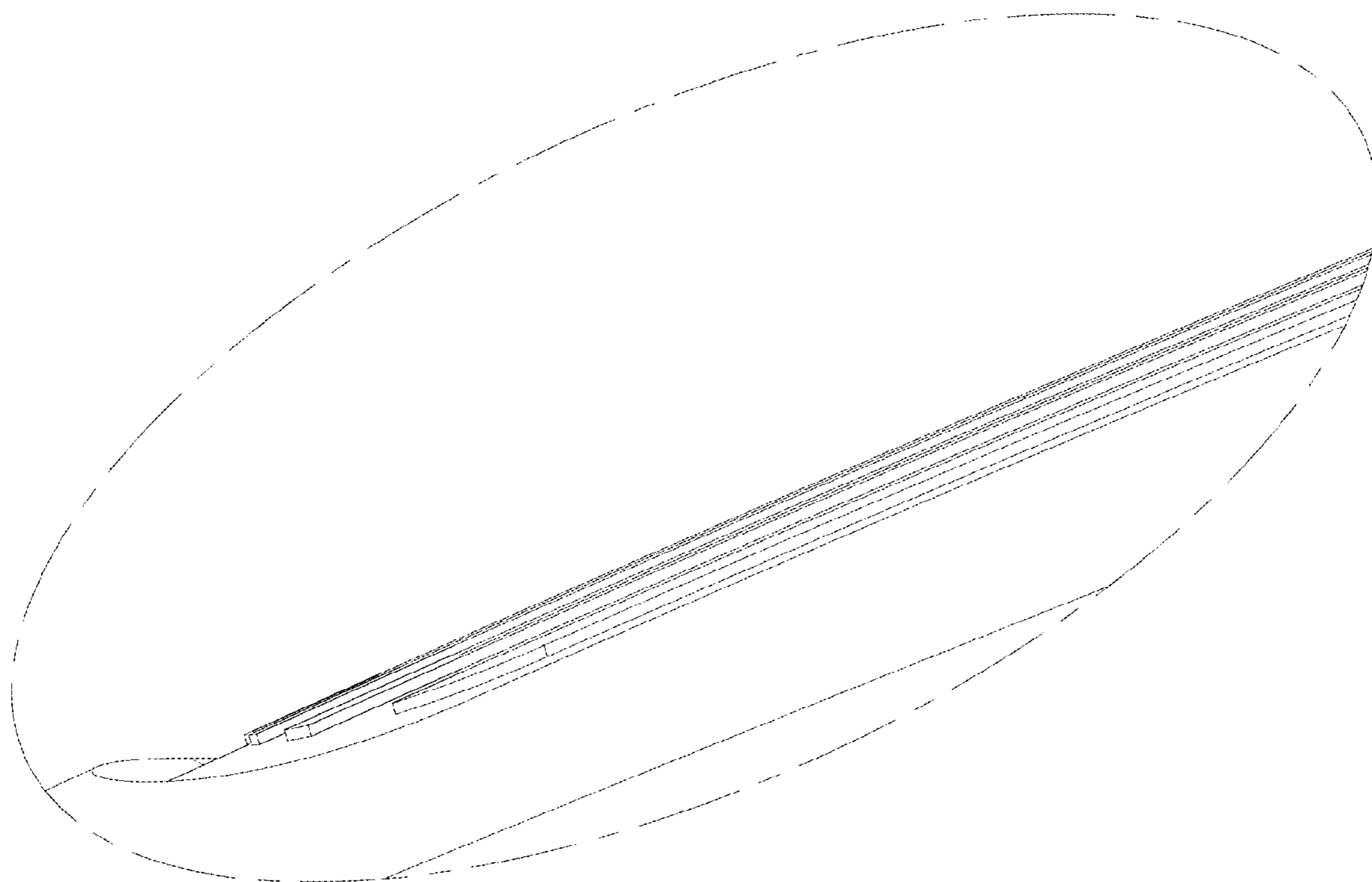


FIG. 11