



US00D967239S

(12) **United States Design Patent** (10) **Patent No.:** **US D967,239 S**
Luo (45) **Date of Patent:** **** Oct. 18, 2022**

(54) **DOUBLE-SIDED FILL LIGHT**

(71) Applicant: **Huagen Luo**, Shenzhen (CN)

(72) Inventor: **Huagen Luo**, Shenzhen (CN)

(**) Term: **15 Years**

(21) Appl. No.: **29/785,484**

(22) Filed: **May 26, 2021**

(51) **LOC (13) Cl.** **16-05**

(52) **U.S. Cl.**
USPC **D16/239**

(58) **Field of Classification Search**
USPC D16/237, 239, 240, 250
CPC F16M 11/08; G03B 2215/0567
See application file for complete search history.

(56) **References Cited**

U.S. PATENT DOCUMENTS

D577,052 S *	9/2008	Orion	D16/239
D614,224 S *	4/2010	Orion	D16/239
D685,836 S *	7/2013	French	D16/237
D699,779 S *	2/2014	Zhan	D16/239
D769,234 S *	10/2016	Rami	D14/447
D861,766 S *	10/2019	Lim	D16/237
D904,498 S *	12/2020	Lim	D16/237
D932,080 S *	9/2021	Wang	D16/250
D946,645 S *	3/2022	Luo	D16/239
D957,507 S *	7/2022	Xu	D16/239
2017/0202067 A1 *	7/2017	Lin	F21V 3/06

OTHER PUBLICATIONS

“RGB Video Light,” first available on amazon.com Jun. 7, 2021, retrieved Aug. 11, 2022 from <https://www.amazon.com/Double-Sided-360°Full-Portable-Photography-2500-9000K/dp/B096SSJ5PT> (Year: 2021).*

* cited by examiner

Primary Examiner — Maria J. Edwards

Assistant Examiner — Dina Michelle Hoeynck

(57) **CLAIM**

The ornamental design for a double-sided fill light, as shown and described.

DESCRIPTION

FIG. 1 is a perspective view of a double-sided fill light showing my new design;

FIG. 2 is another perspective view thereof;

FIG. 3 is a front elevational view thereof;

FIG. 4 is a rear elevational view thereof;

FIG. 5 is a left side elevational view thereof;

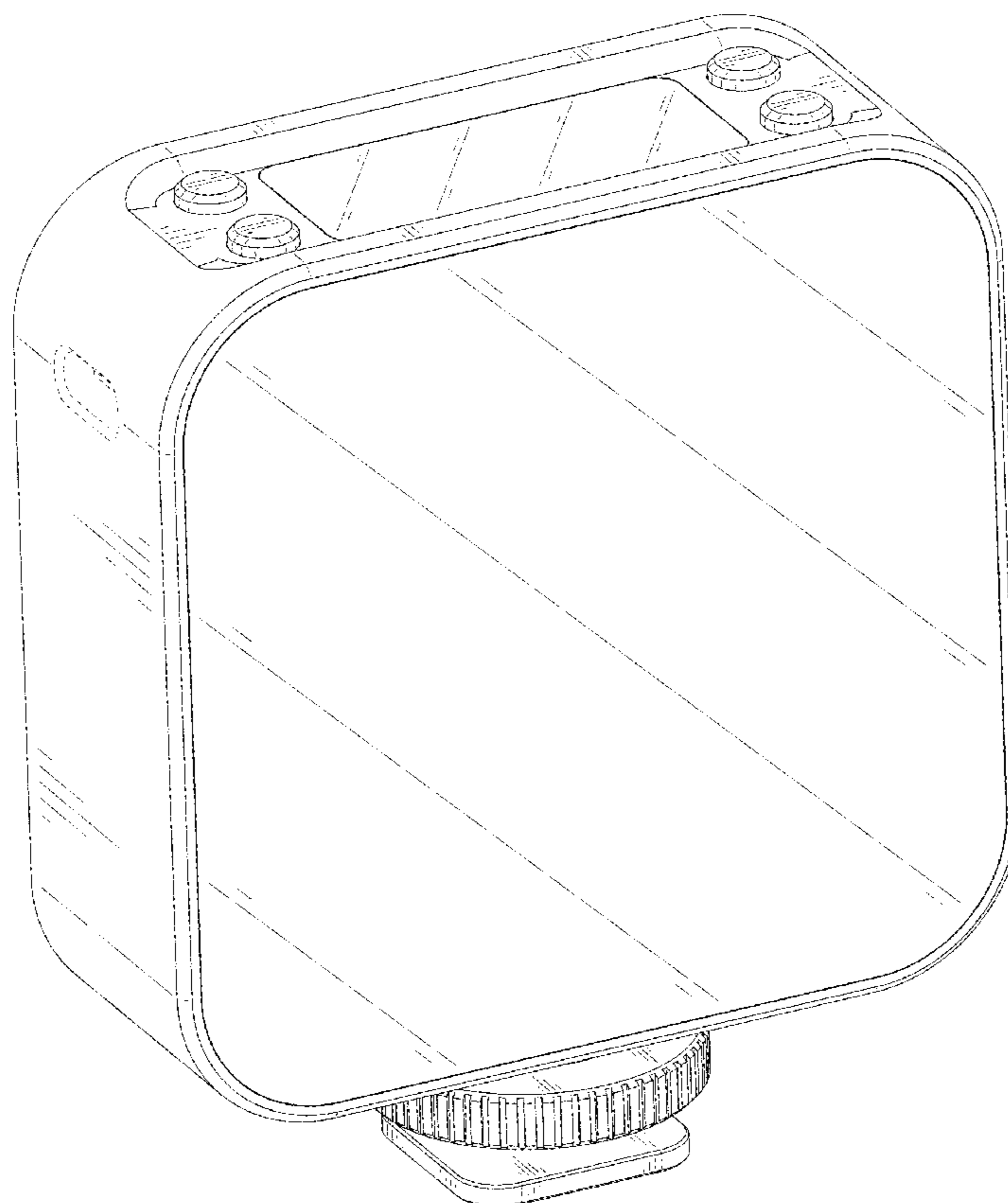
FIG. 6 is a right side elevational view thereof;

FIG. 7 is a top plan view thereof; and,

FIG. 8 is a bottom plan view thereof.

The broken lines in the drawings depict portions of the double-sided fill light that form no part of the claimed design.

1 Claim, 8 Drawing Sheets



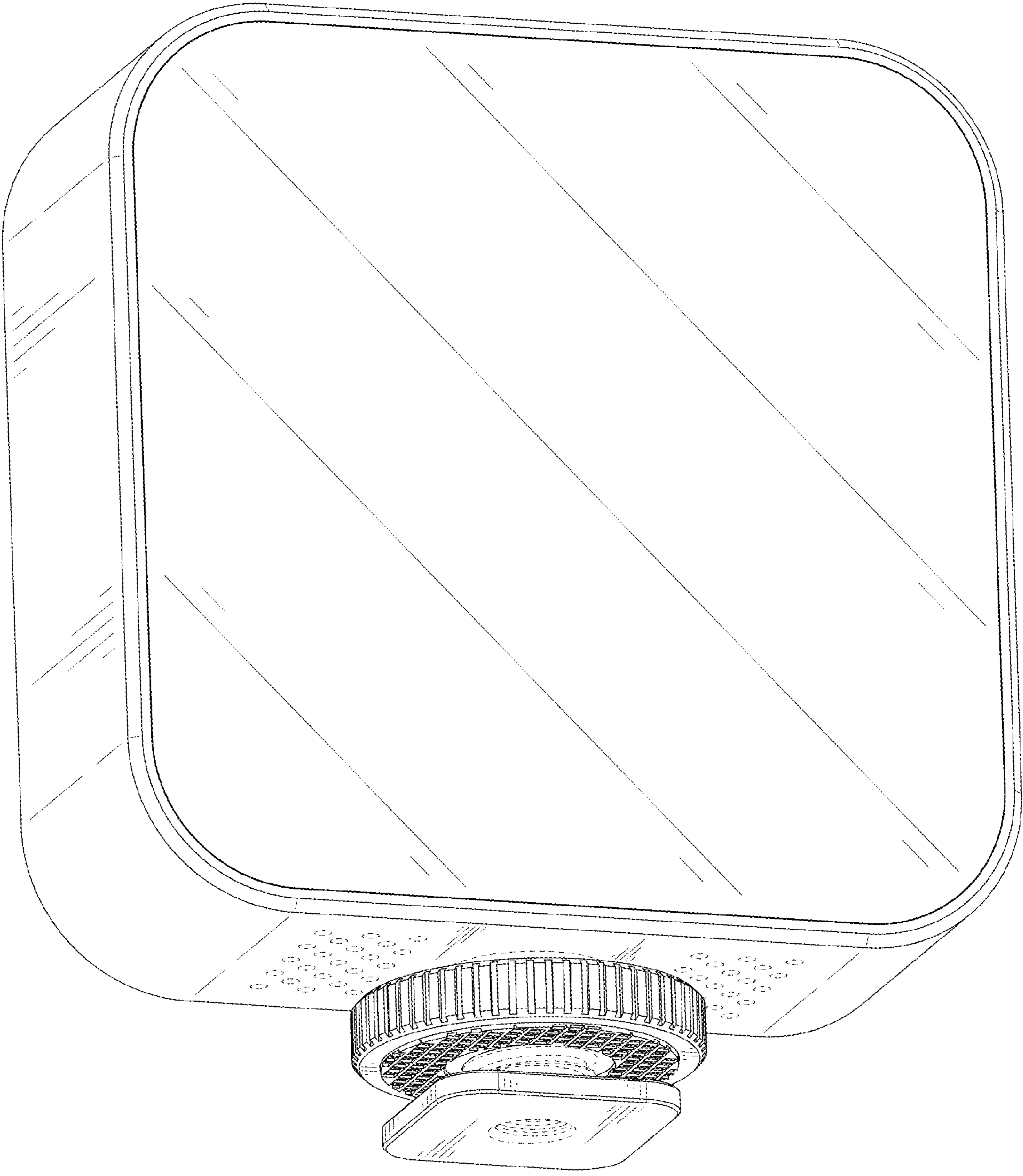


FIG. 1

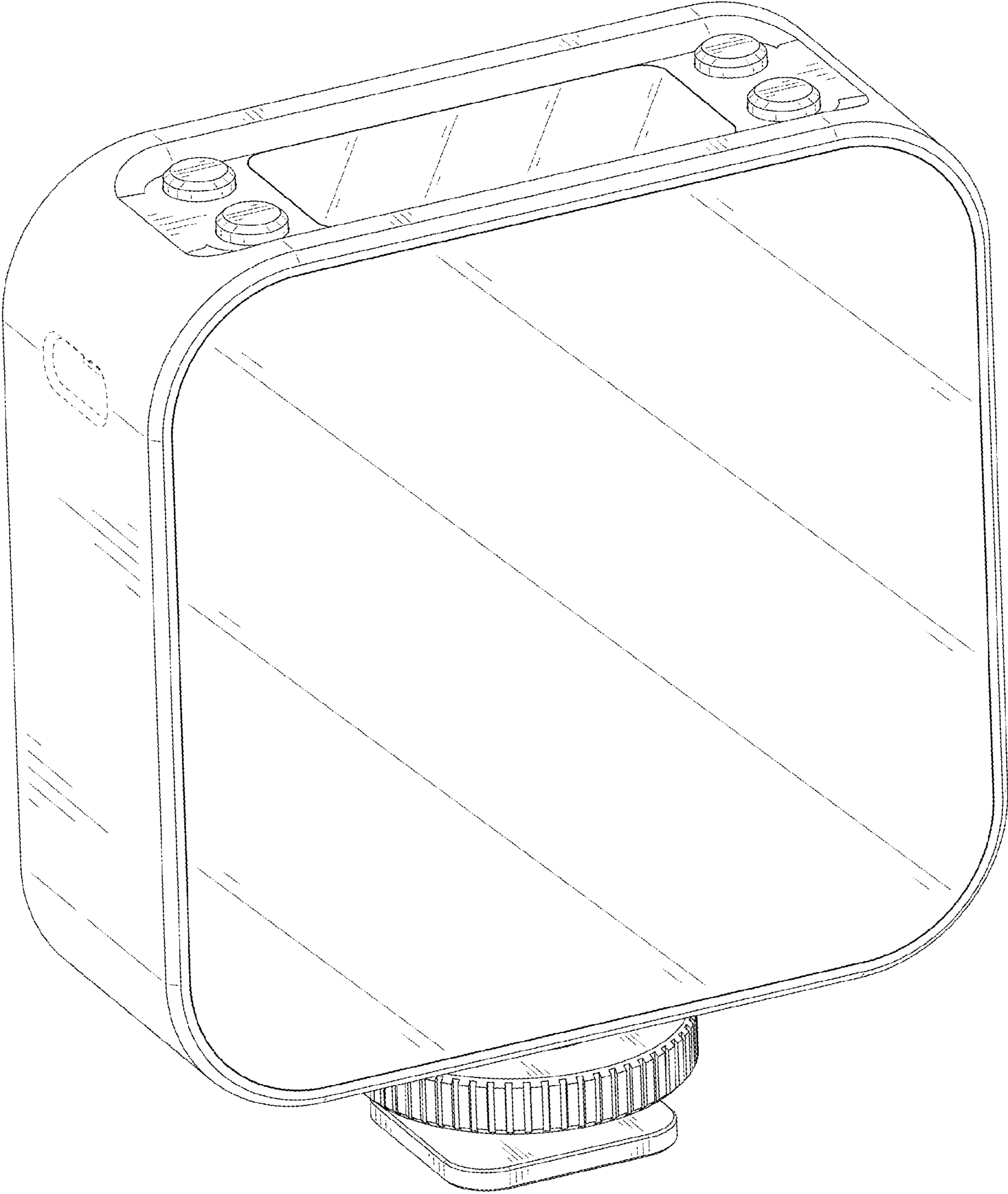


FIG. 2

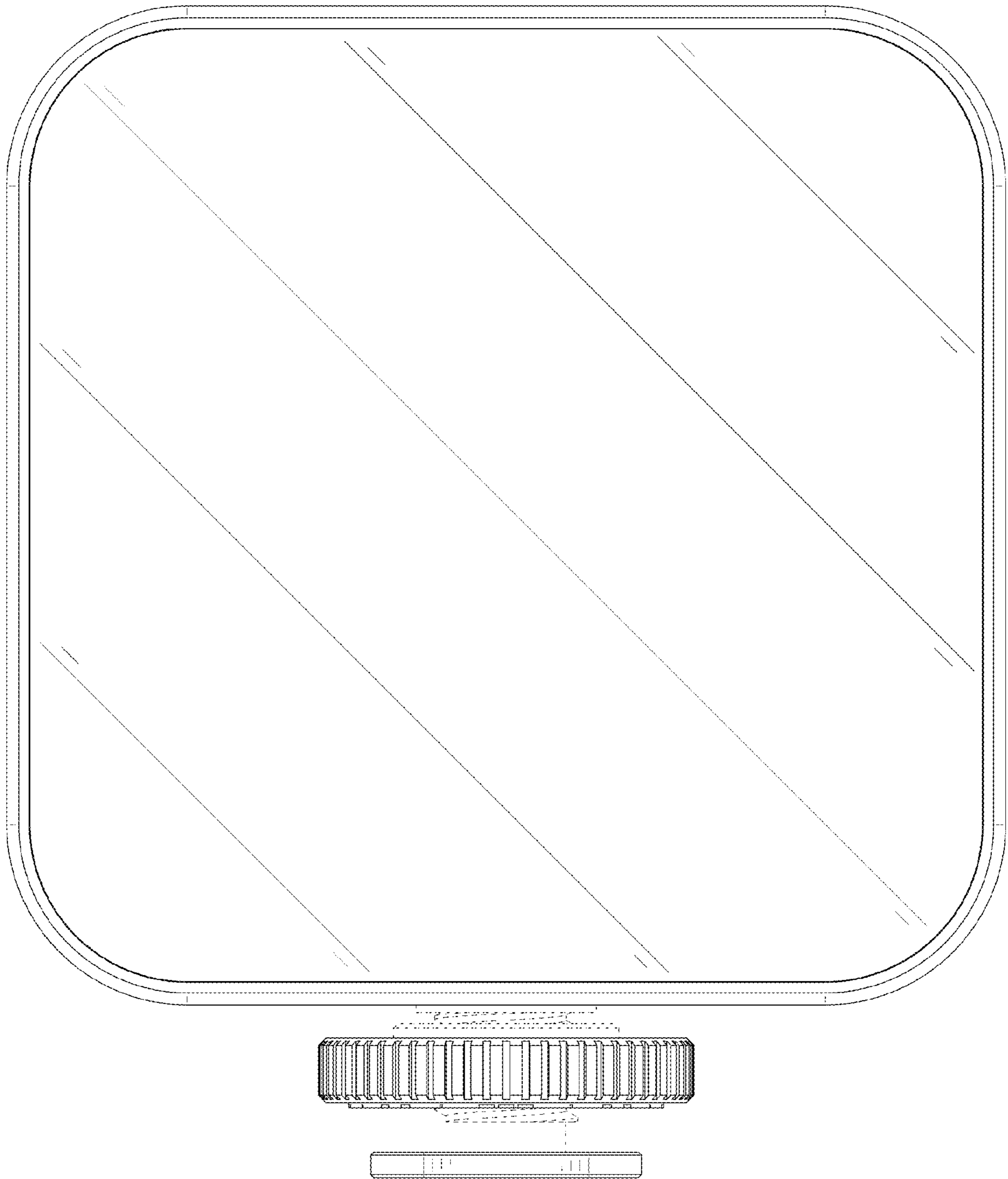


FIG. 3

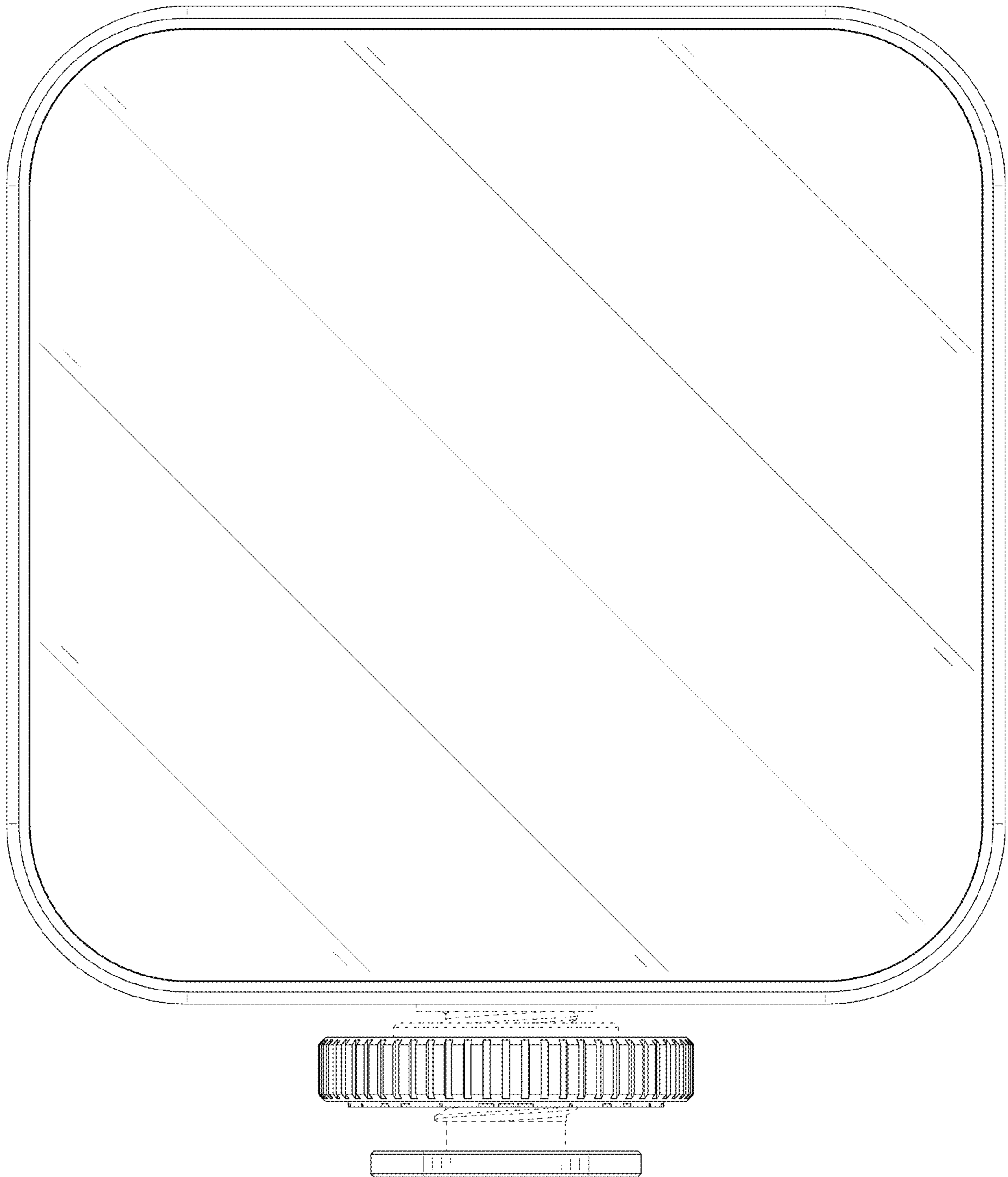


FIG. 4

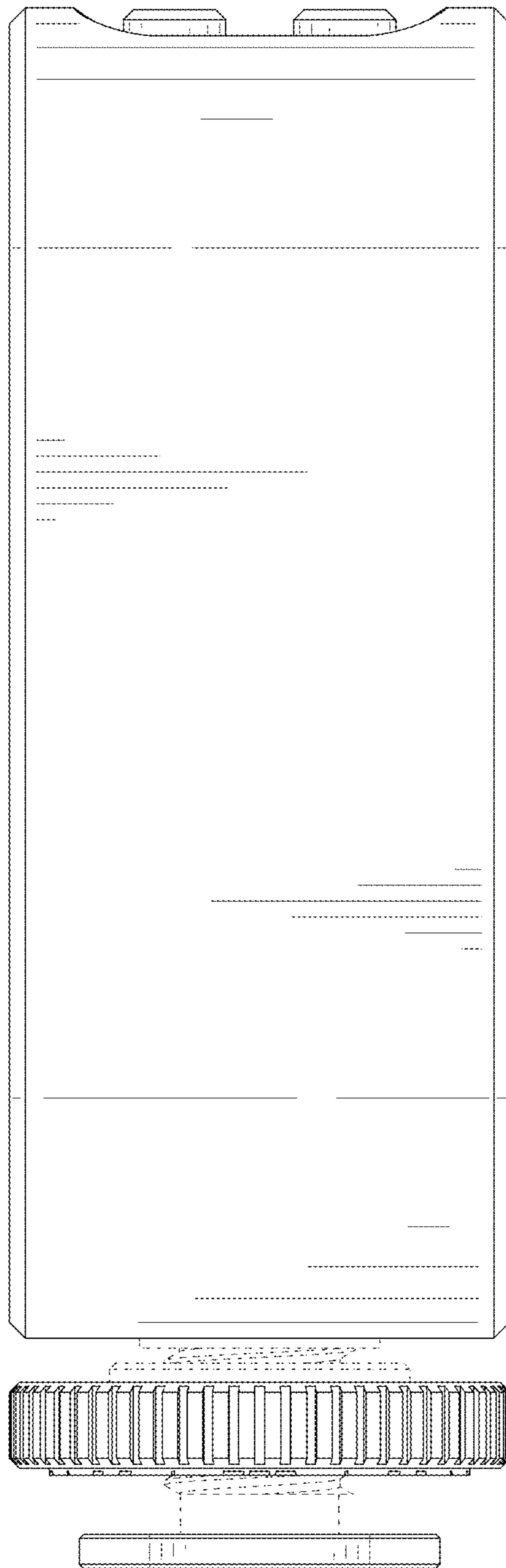


FIG. 5

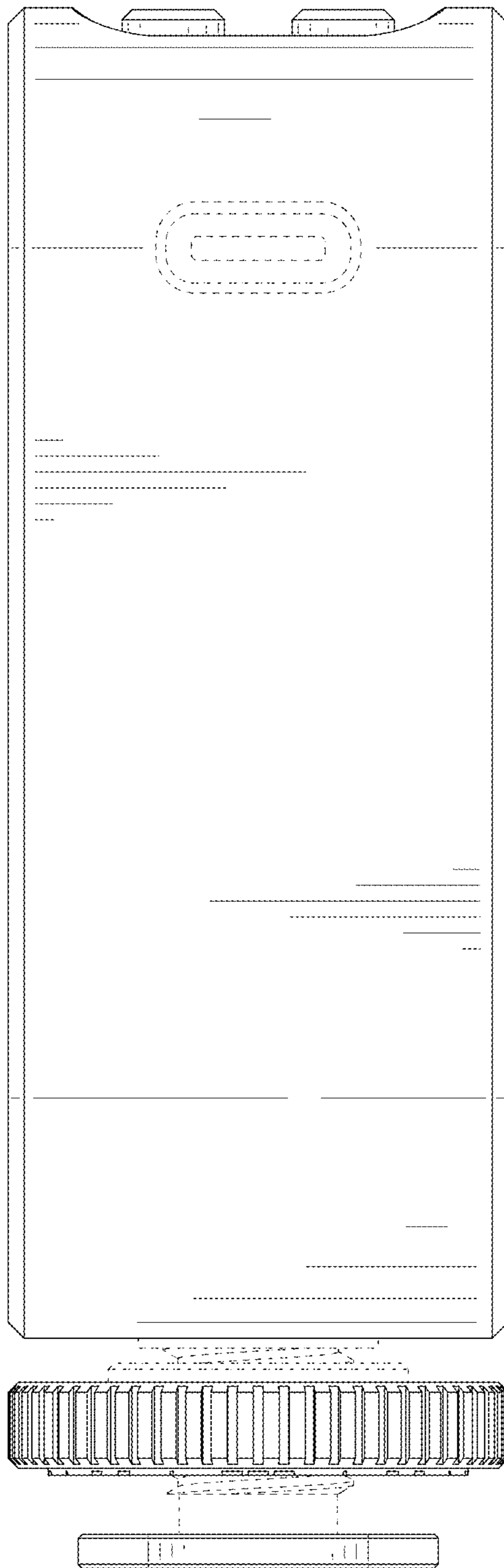


FIG. 6

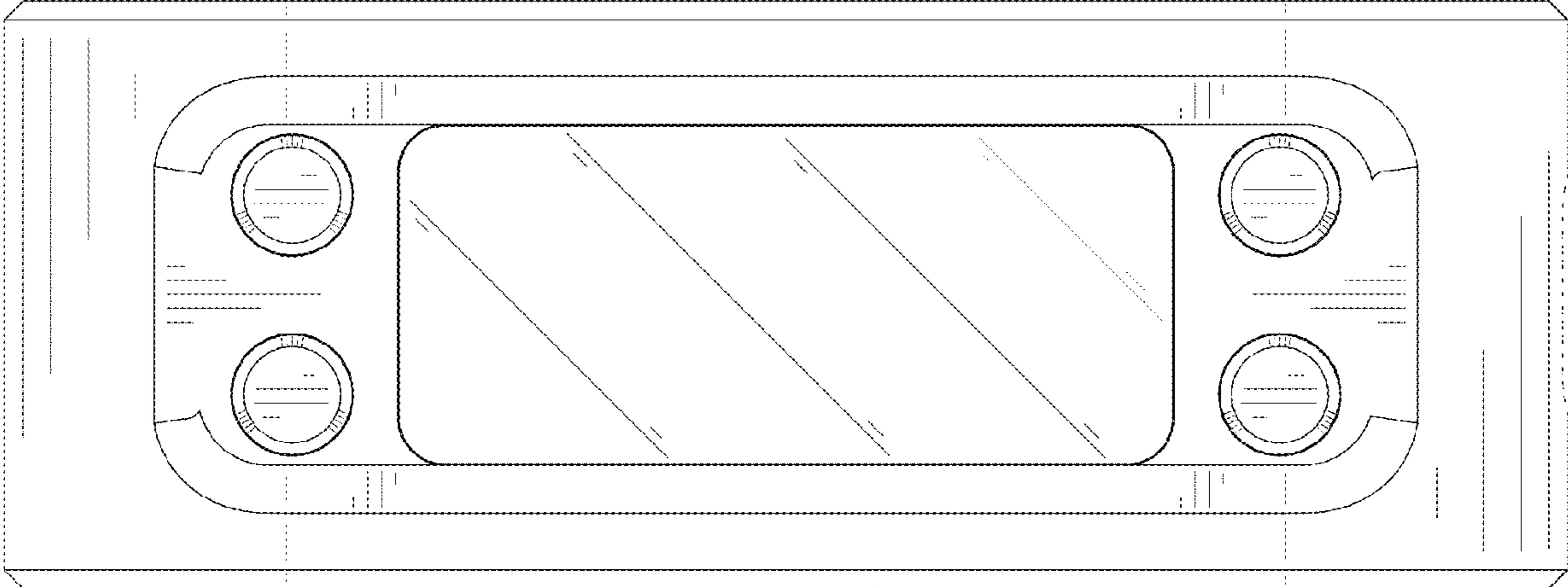


FIG. 7

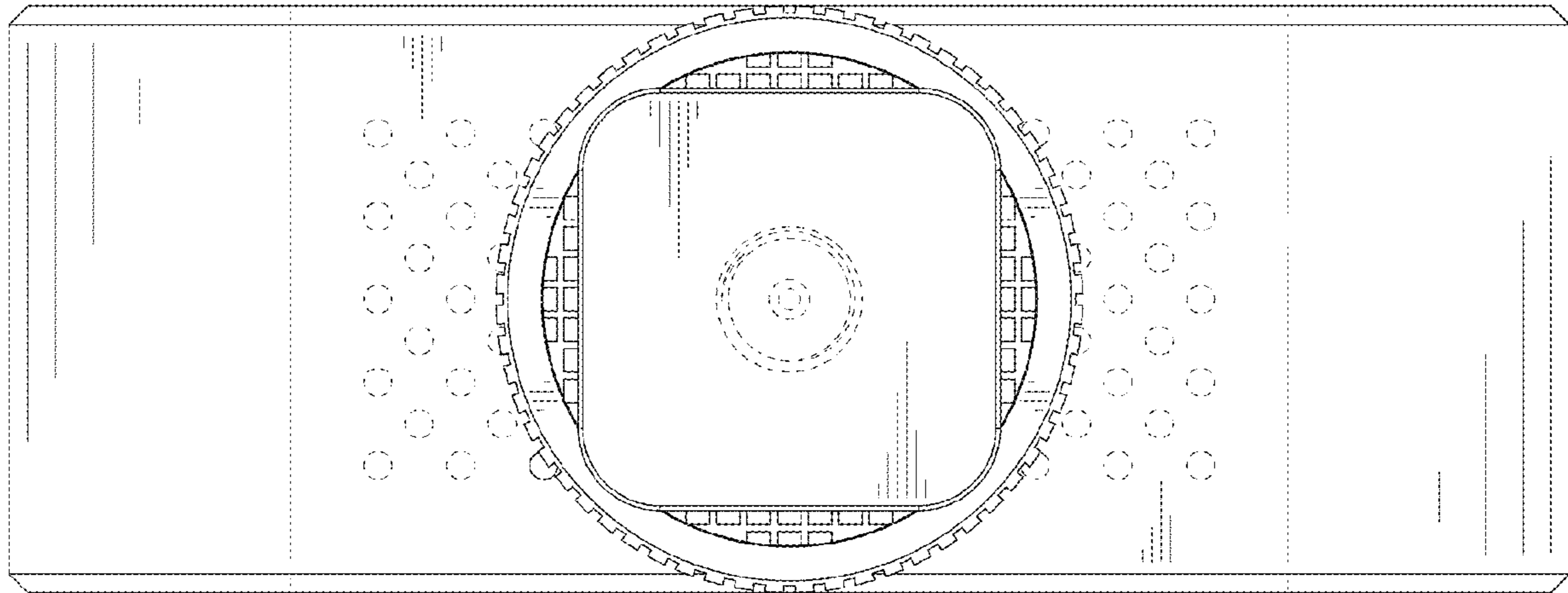


FIG. 8