

US00D967238S

(12) **United States Design Patent** (10) **Patent No.:** **US D967,238 S**  
**Xu** (45) **Date of Patent:** **\*\* Oct. 18, 2022**

(54) **SELFIE STICK CLIP**  
(71) Applicant: **SHENZHEN YUANSU CHUANGDA TECHNOLOGY CO., LTD**, Shenzhen (CN)  
(72) Inventor: **Xibin Xu**, Shenzhen (CN)  
(73) Assignee: **SHENZHEN YUANSU CHUANGDA TECHNOLOGY CO., LTD**, Shenzhen (CN)  
(\*\*) Term: **15 Years**

D769,860 S \* 10/2016 Xiao ..... D14/253  
D783,592 S \* 4/2017 Ju ..... D14/253  
D784,977 S \* 4/2017 Ormsbee ..... D14/253  
D828,865 S \* 9/2018 Zeng ..... D16/242  
D829,808 S \* 10/2018 Frisancho Vera ..... D16/245  
D831,098 S \* 10/2018 Truesdale ..... D16/242  
D833,511 S \* 11/2018 Paterson ..... D16/242  
D840,994 S \* 2/2019 Balmer ..... D14/253  
D840,995 S \* 2/2019 Balmer ..... D14/253  
10,253,926 B1 \* 4/2019 Fan ..... F21V 21/096  
D858,509 S \* 9/2019 Yao ..... D12/415  
D888,703 S \* 6/2020 Liao ..... D14/253  
D892,787 S \* 8/2020 Chen ..... D14/253  
D900,200 S \* 10/2020 Shan ..... D16/237  
D907,027 S \* 1/2021 Halpern ..... D14/253

(Continued)

(21) Appl. No.: **29/780,984**  
(22) Filed: **Apr. 27, 2021**  
(30) **Foreign Application Priority Data**  
Mar. 17, 2021 (CN) ..... 202130144192.4  
(51) **LOC (13) Cl.** ..... **16-05**  
(52) **U.S. Cl.**  
USPC ..... **D16/237**  
(58) **Field of Classification Search**  
USPC ..... D16/132, 237, 241–245, 250;  
D8/354–355, 363, 382; D14/224, 229,  
D14/251; D26/93, 111, 118  
CPC ..... F16M 11/06; F16M 11/08; F16M 11/10;  
F16M 11/14; F16M 11/247; F16M 11/32;  
G03B 17/561  
See application file for complete search history.

(56) **References Cited**  
U.S. PATENT DOCUMENTS  
D314,771 S \* 2/1991 Kirchner ..... D14/251  
D696,241 S \* 12/2013 Paugh ..... H04B 1/385  
D14/253  
D708,603 S \* 7/2014 Kim ..... D14/253  
9,170,473 B1 \* 10/2015 Li ..... G03B 17/563  
D750,612 S \* 3/2016 Chen ..... D14/447

**FOREIGN PATENT DOCUMENTS**

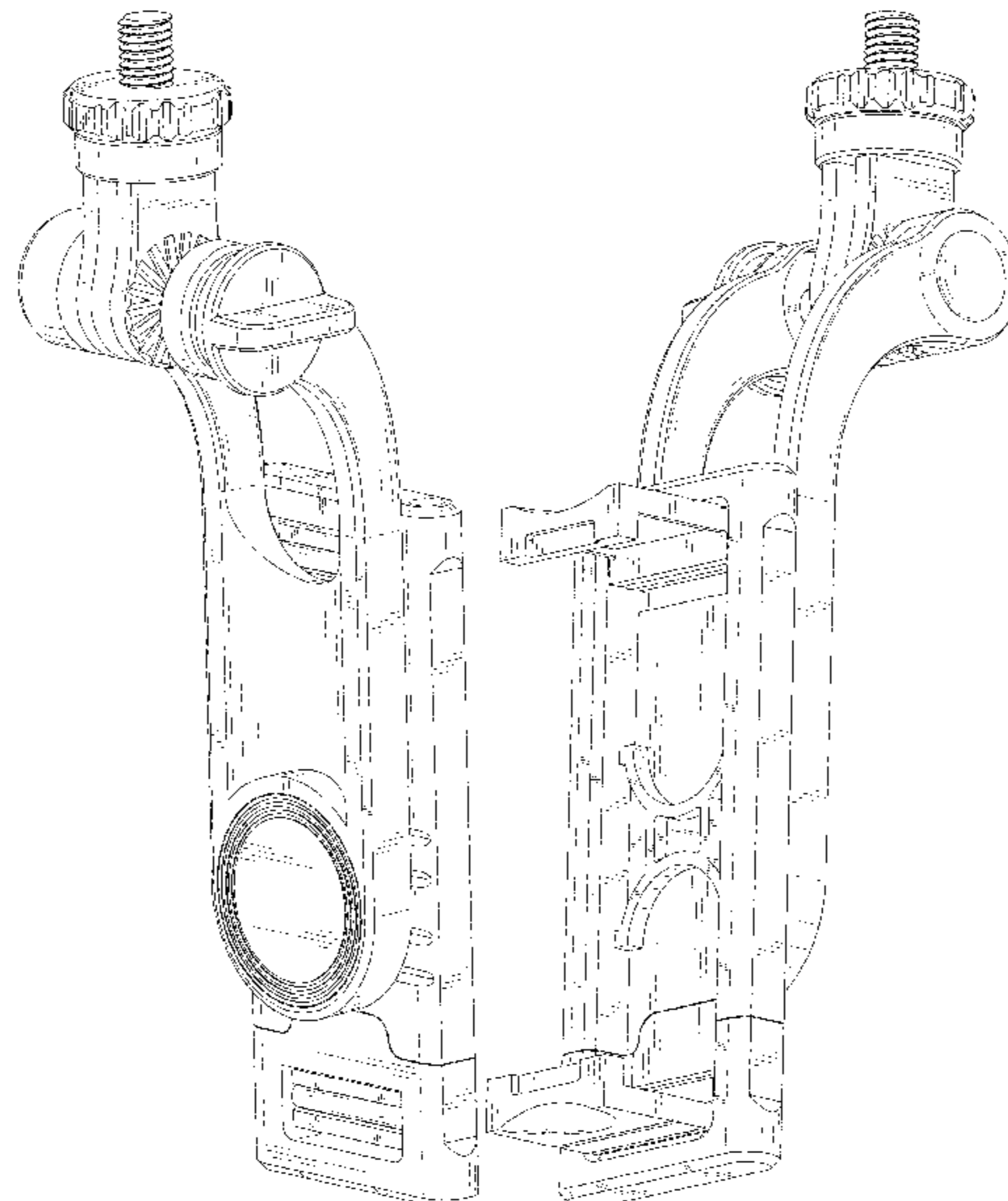
CN 306654943 \* 7/2021  
*Primary Examiner* — Maria J. Edwards  
*Assistant Examiner* — Dina Michelle Hoeynck

(57) **CLAIM**  
The ornamental design for a selfie stick clip, as shown and described.

**DESCRIPTION**

FIG. 1 is a perspective view of a selfie stick clip showing my new design;  
FIG. 2 is another perspective view thereof;  
FIG. 3 is a front elevational view thereof;  
FIG. 4 is a rear elevational view thereof;  
FIG. 5 is a left side elevational view thereof;  
FIG. 6 is a right side elevational view thereof;  
FIG. 7 is a top plan view thereof;  
FIG. 8 is a bottom plan view thereof; and,  
FIG. 9 is a perspective view of the selfie stick clip where the selfie stick clip is in a configuration of use.  
The broken lines in the drawings depict portions of the selfie stick clip that form no part of the claimed design.

**1 Claim, 9 Drawing Sheets**



(56)

**References Cited**

U.S. PATENT DOCUMENTS

2015/0313026 A1\* 10/2015 Yu ..... F16M 11/14  
248/287.1  
2016/0230921 A1\* 8/2016 Fan ..... F16M 11/105  
2019/0258142 A1\* 8/2019 Liu ..... F16M 11/10

\* cited by examiner

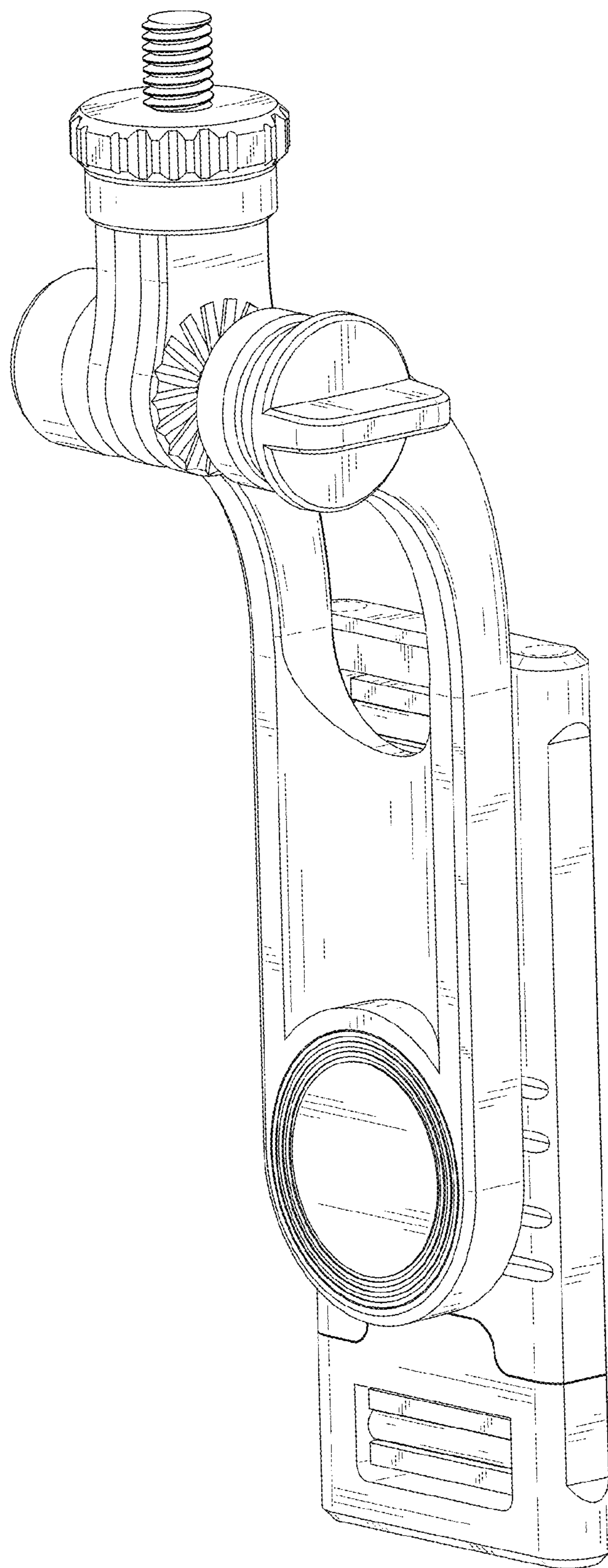


FIG. 1

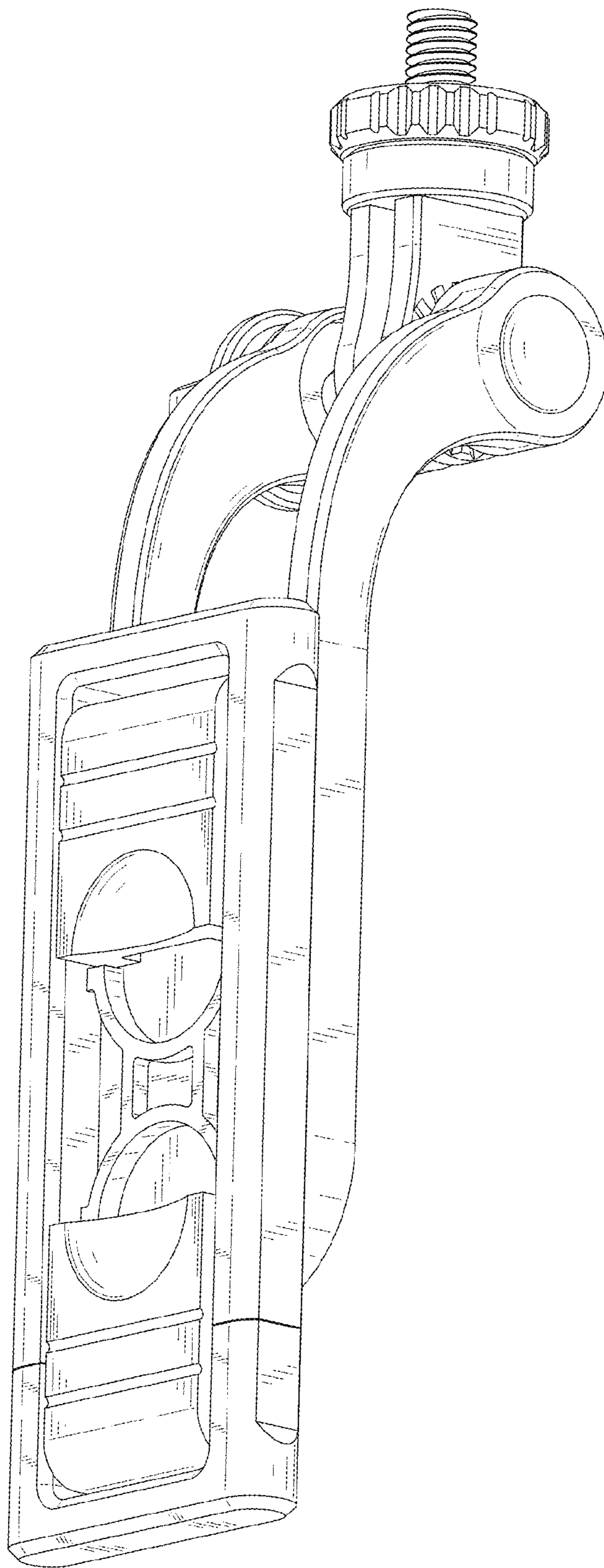


FIG. 2

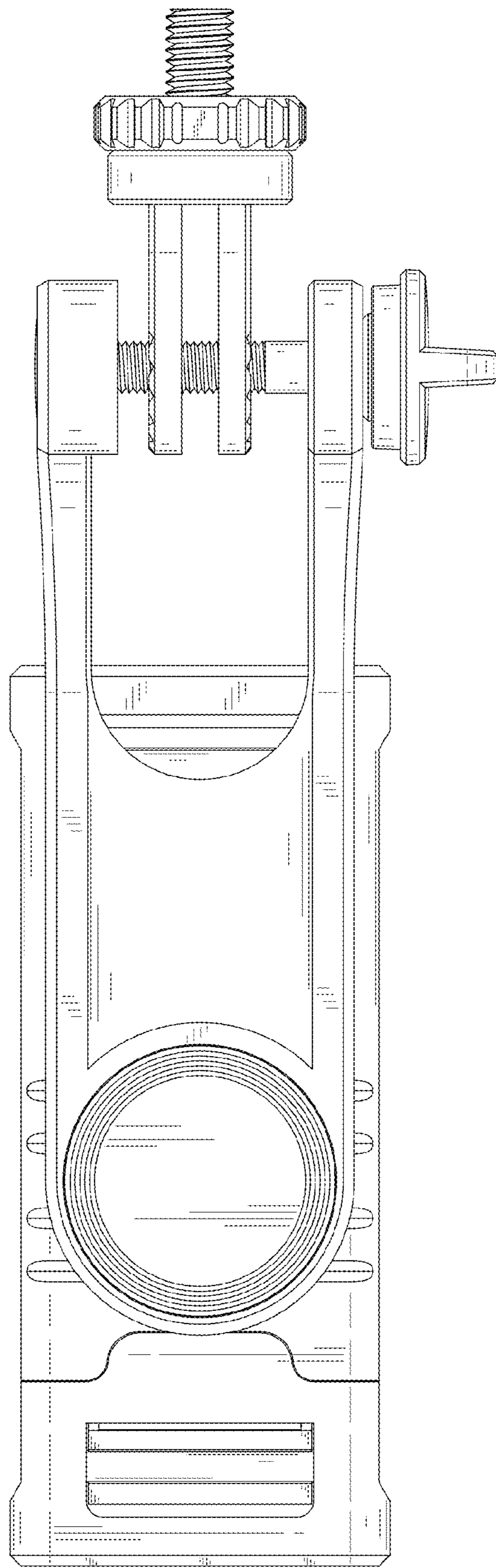


FIG. 3

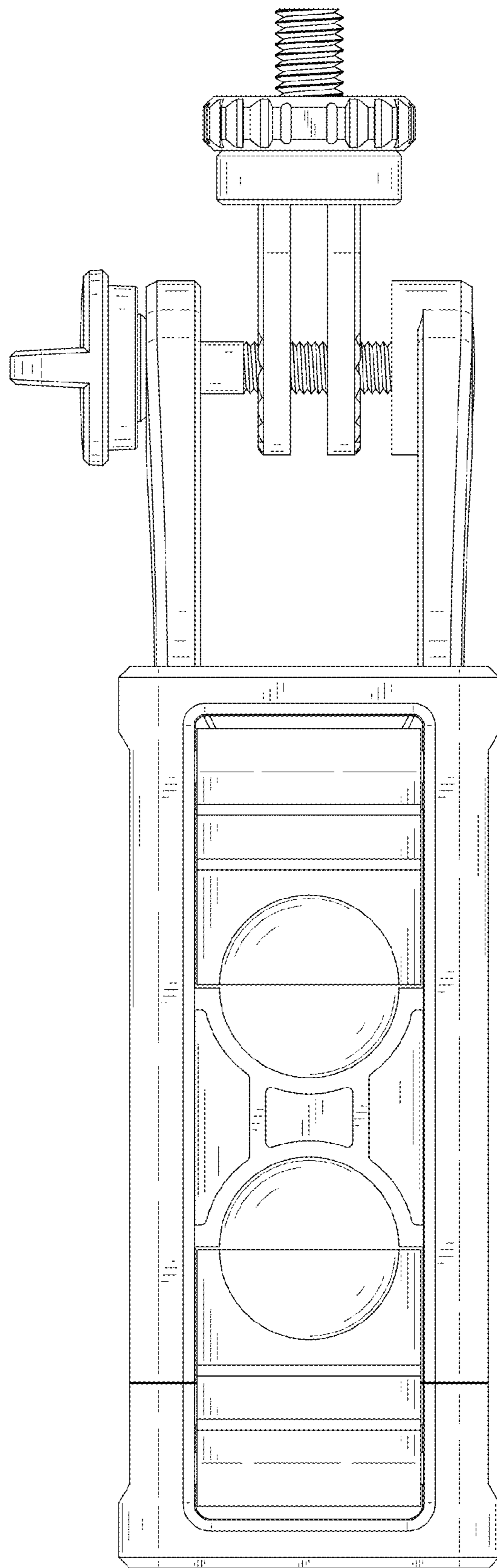


FIG. 4

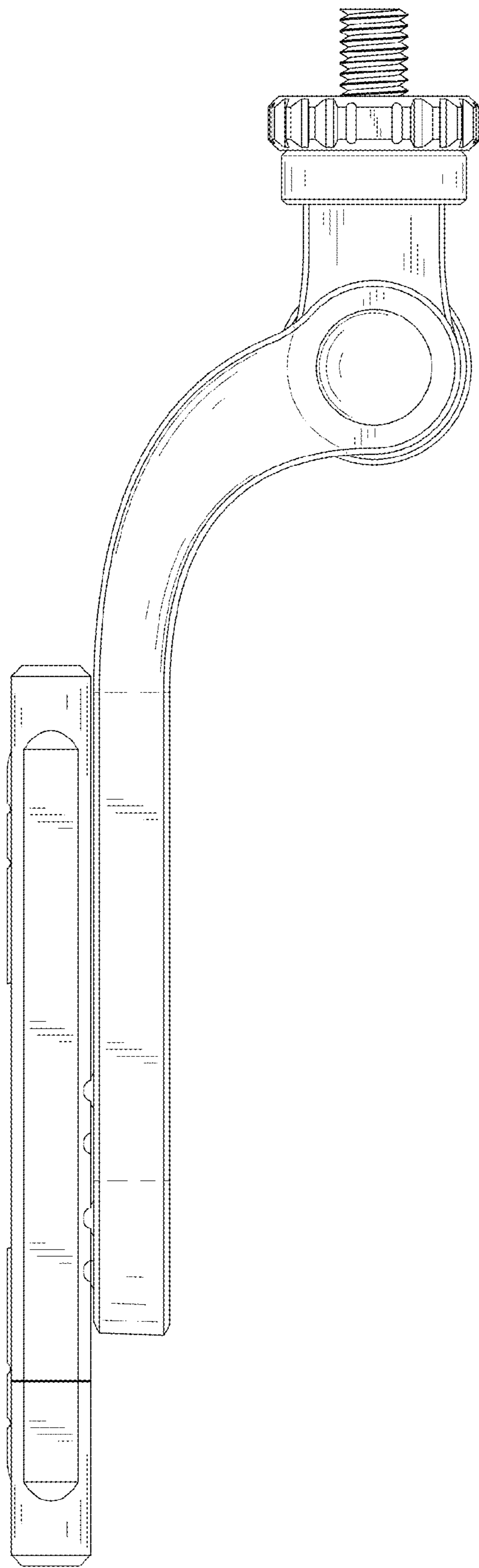


FIG. 5

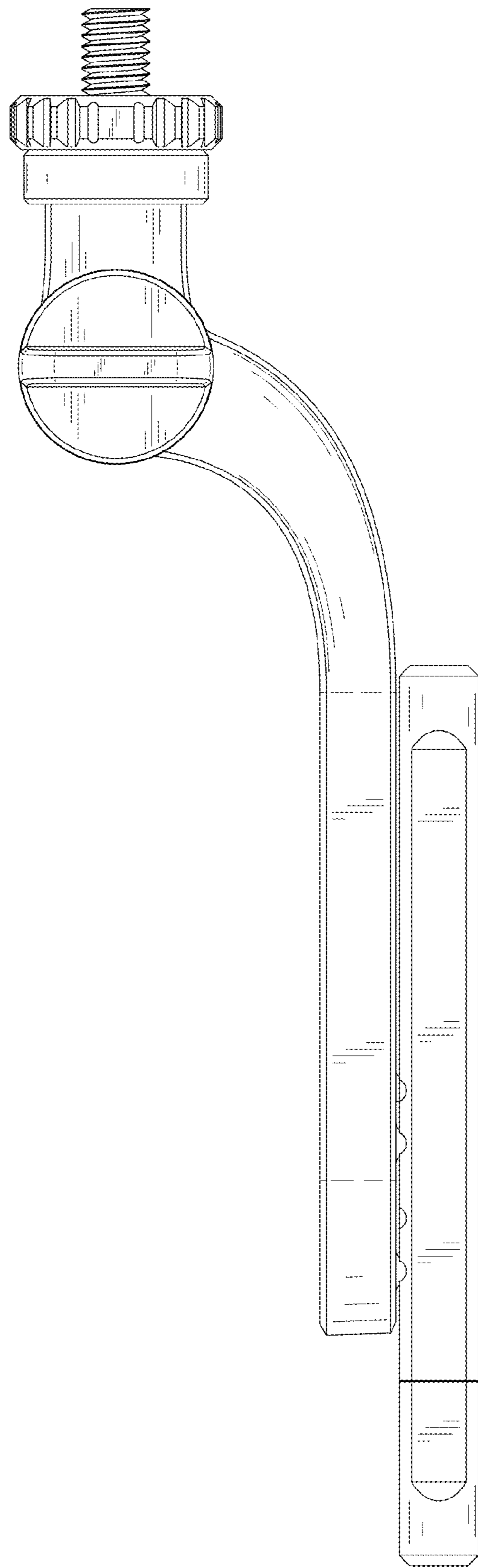


FIG. 6



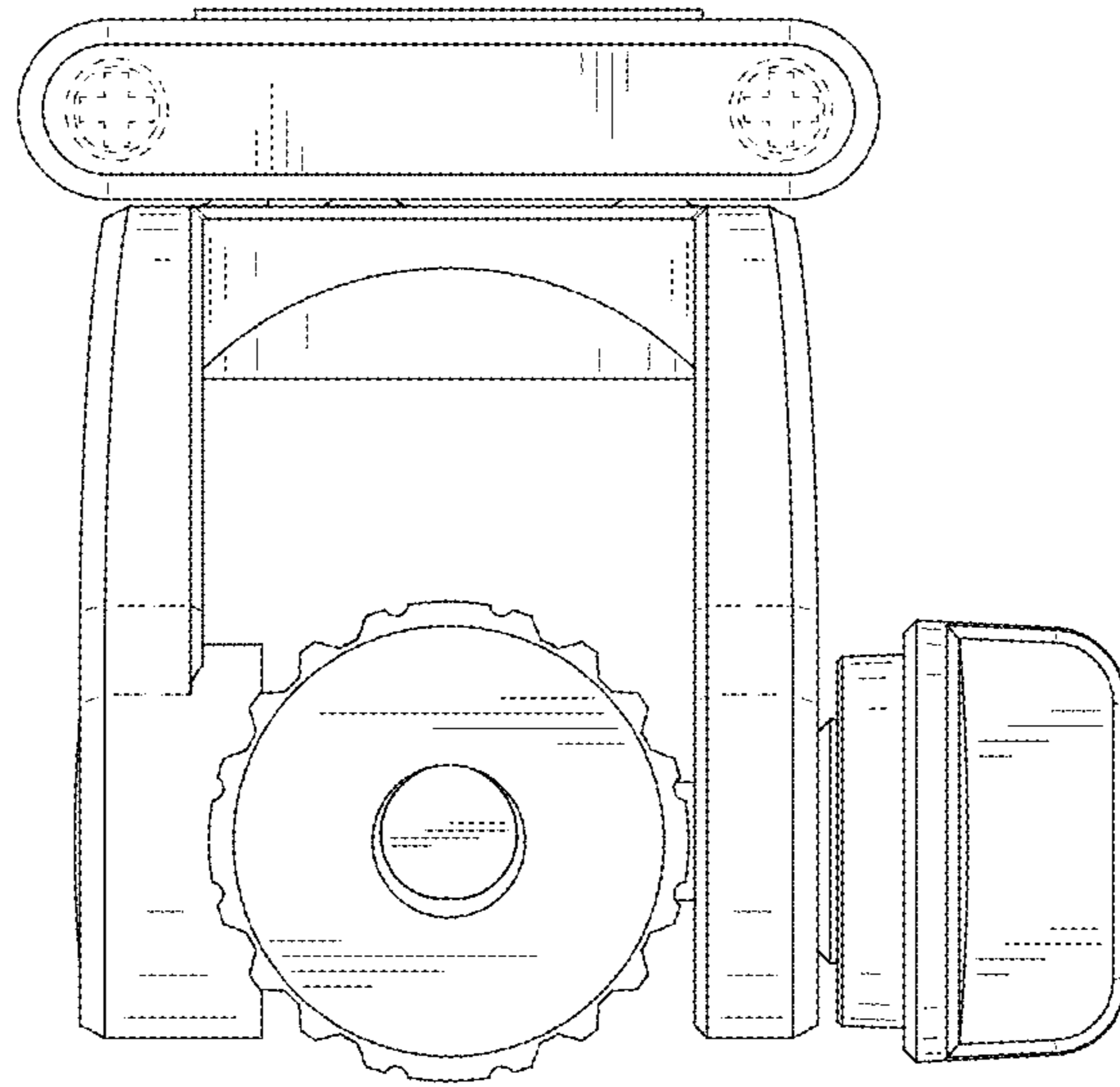


FIG. 7

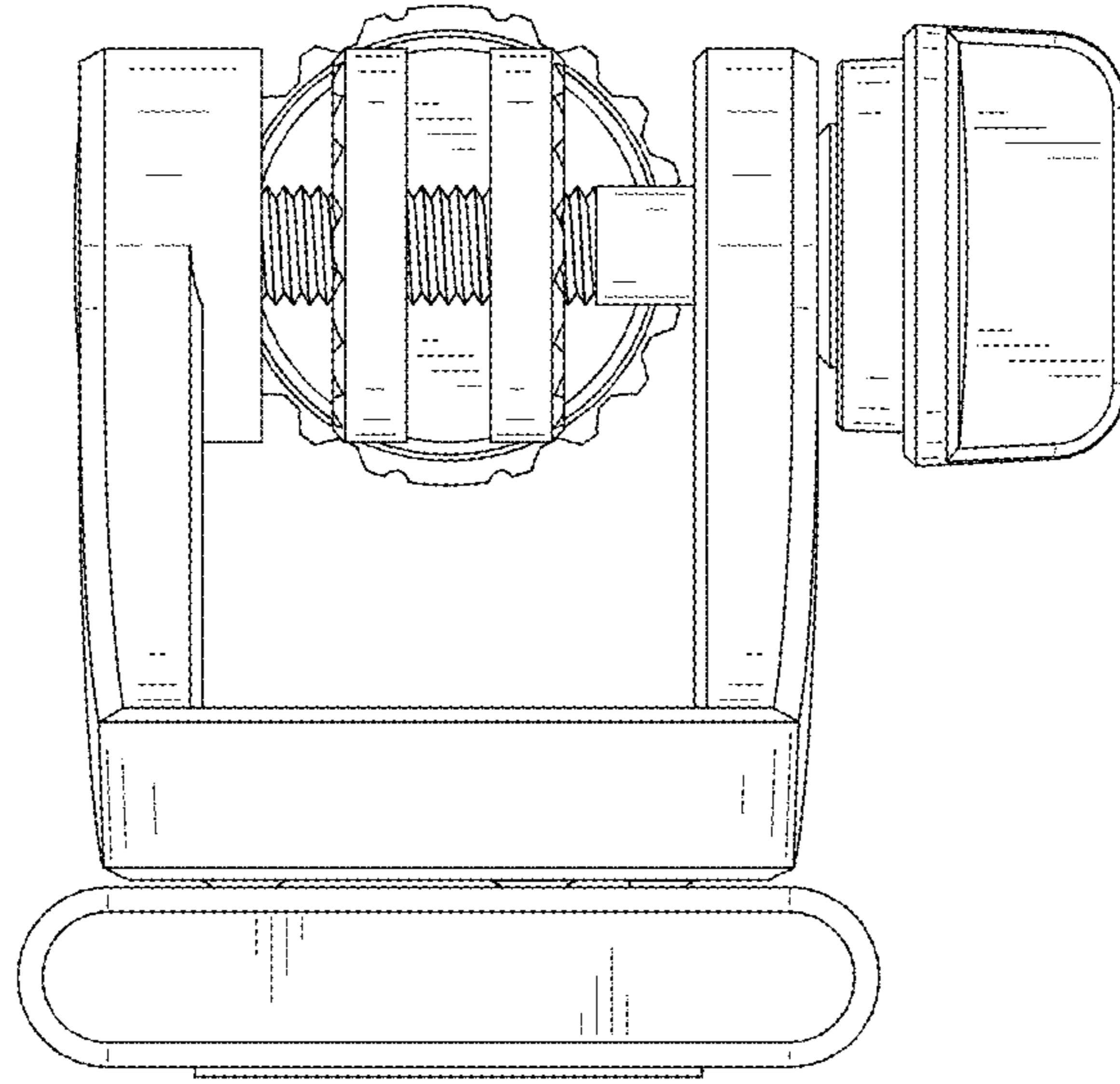


FIG. 8

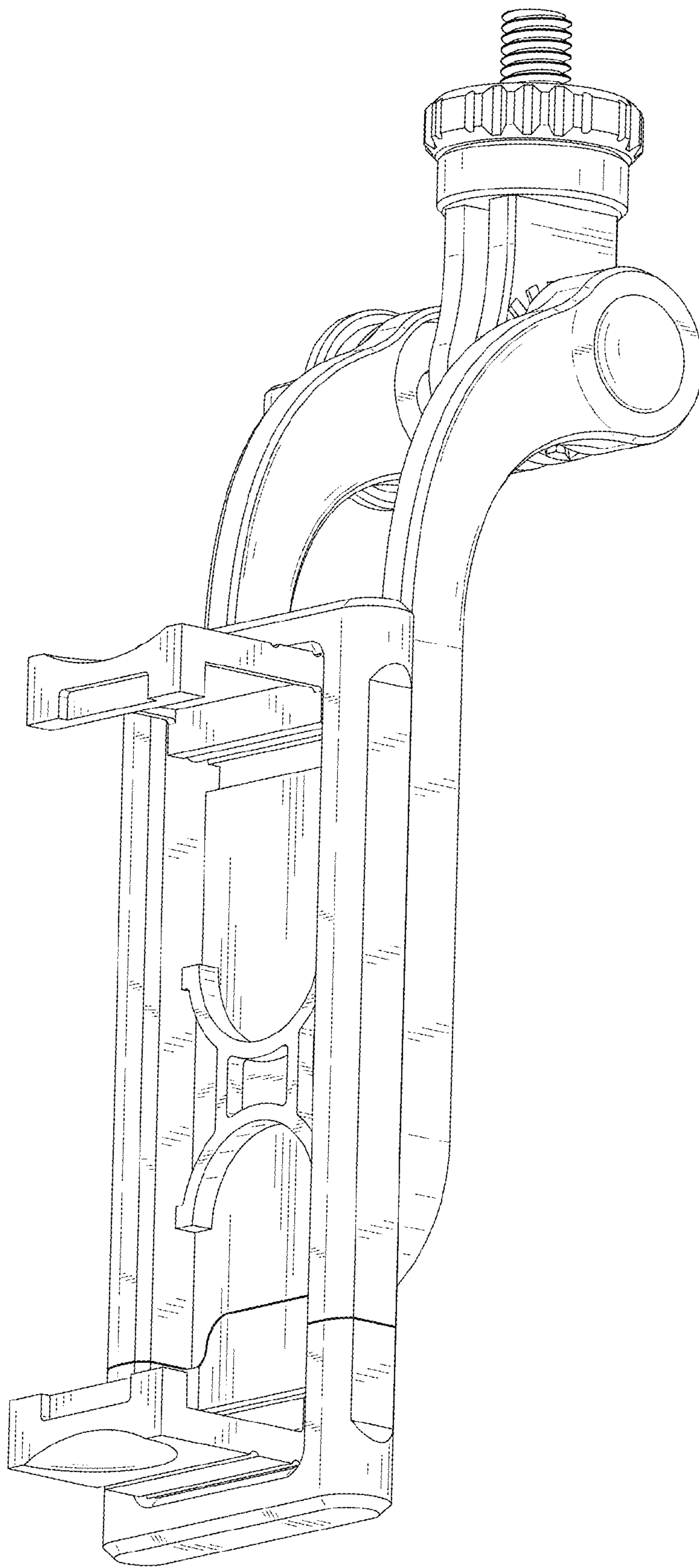


FIG. 9