



US00D967237S

(12) **United States Design Patent**
Yuan

(10) **Patent No.:** **US D967,237 S**
(45) **Date of Patent:** **** Oct. 18, 2022**

(54) **PROJECTOR**

(71) Applicant: **Shenzhen Taotaomai Electronic Commerce Co., Ltd.**, Shenzhen (CN)

(72) Inventor: **Fanghao Yuan**, Shenzhen (CN)

(**) Term: **15 Years**

(21) Appl. No.: **29/831,966**

(22) Filed: **Mar. 24, 2022**

(51) **LOC (13) Cl.** **16-02**

(52) **U.S. Cl.**
USPC **D16/230**

(58) **Field of Classification Search**
USPC D16/221, 225, 230–231, 234; D21/514
CPC G03B 21/16; G03B 21/145; G03B 21/14;
G03B 21/00; G03B 21/001; G03B
21/003; G03B 21/12
See application file for complete search history.

(56) **References Cited**

U.S. PATENT DOCUMENTS

D454,360	S	*	3/2002	Shimizu	D16/230
D545,339	S	*	6/2007	Naruki	D16/221
D926,246	S	*	7/2021	Wu	D16/230
D936,727	S	*	11/2021	Gao	D16/230
D939,614	S		12/2021	Mao		
D939,615	S	*	12/2021	Wu	D16/230
D948,596	S	*	4/2022	Deng	D16/230
D952,731	S	*	5/2022	Lin	D16/230
D958,229	S	*	7/2022	Wei	D16/230

OTHER PUBLICATIONS

Happrun Store "Projector, Native 1080P Bluetooth Projector with 100" Screen, 9500L 4K Supported Portable Outdoor Movie Pro-

jector Compatible with Smartphone, HDMI, USB, AV, Fire Stick, PS5." May 25, 2022. Retrieved Aug. 16, 2022. https://www.amazon.com/Projector-Bluetooth-100Screen-Compatible-Smartphone/dp/B0B28G5Y4R/ref=sr_1_1_sspa?crd=UUKP7Z12ID5D&keywords=native+1080p+bluetooth+projector&qid=1660755054&sprefix=native+1080p+bluetooth+projector%2Caps%2C59&sr=8-1-spons&psc=1.*

* cited by examiner

Primary Examiner — Wan Laymon

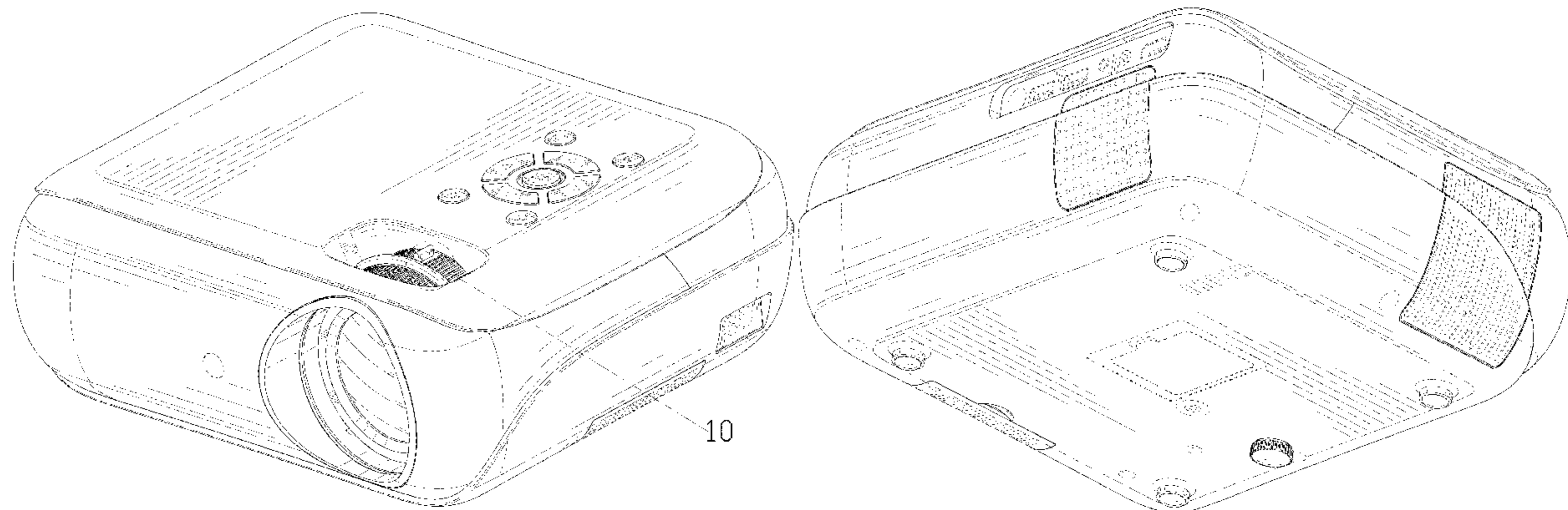
(57) **CLAIM**

The ornamental design for a projector, as shown and described.

DESCRIPTION

FIG. 1 is a front and top perspective view of a projector, showing my new design;
FIG. 2 is a rear and bottom perspective view thereof;
FIG. 3 is a front elevation view thereof;
FIG. 4 is a rear elevation view thereof;
FIG. 5 is a left side elevation view thereof;
FIG. 6 is a right side elevation view thereof;
FIG. 7 is a top plan view thereof;
FIG. 8 is a bottom plan view thereof;
FIG. 9 is a perspective view of projector in use state; and,
FIG. 10 is an enlarged view of a portion indicated with numeric 10 in FIG. 1.
The broken lines in the figures illustrate portions of the projector that form no part of the claimed design. The dash dot dash lines in FIGS. 1 and 10 are for the purpose of depicting the boundary lines of the enlarged view and form no part of the claimed design.

1 Claim, 10 Drawing Sheets



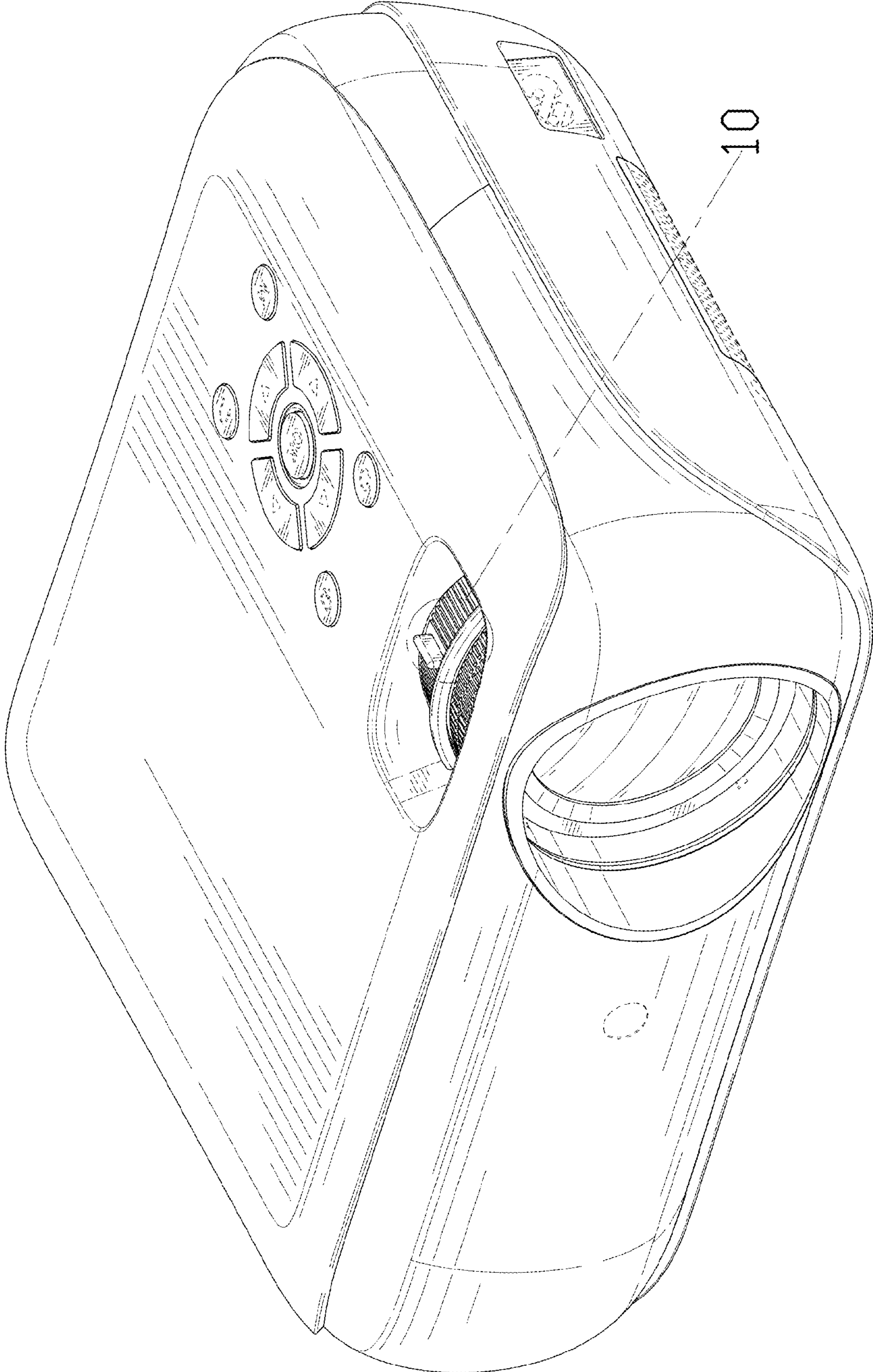


FIG. 1

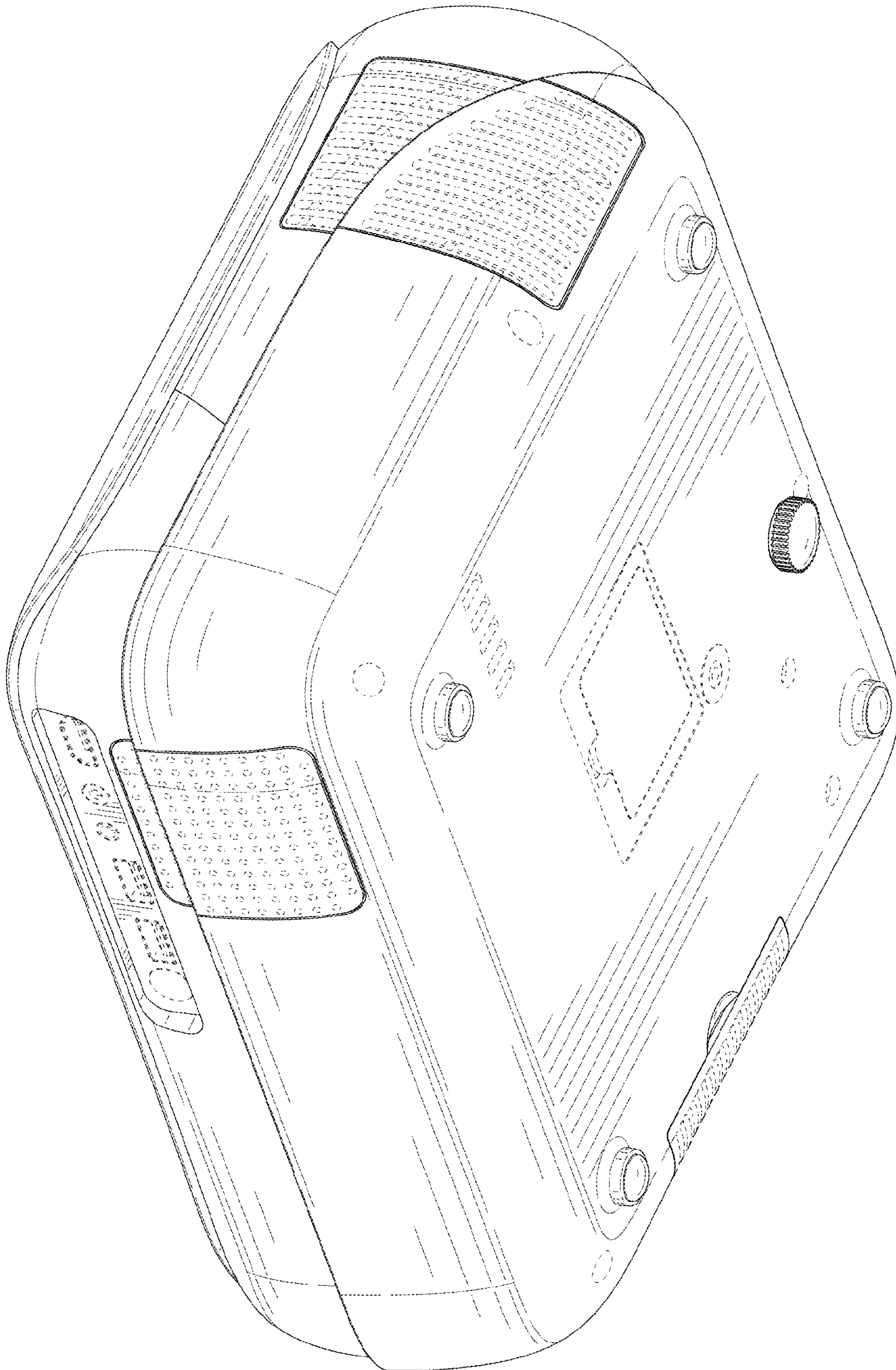


FIG. 2

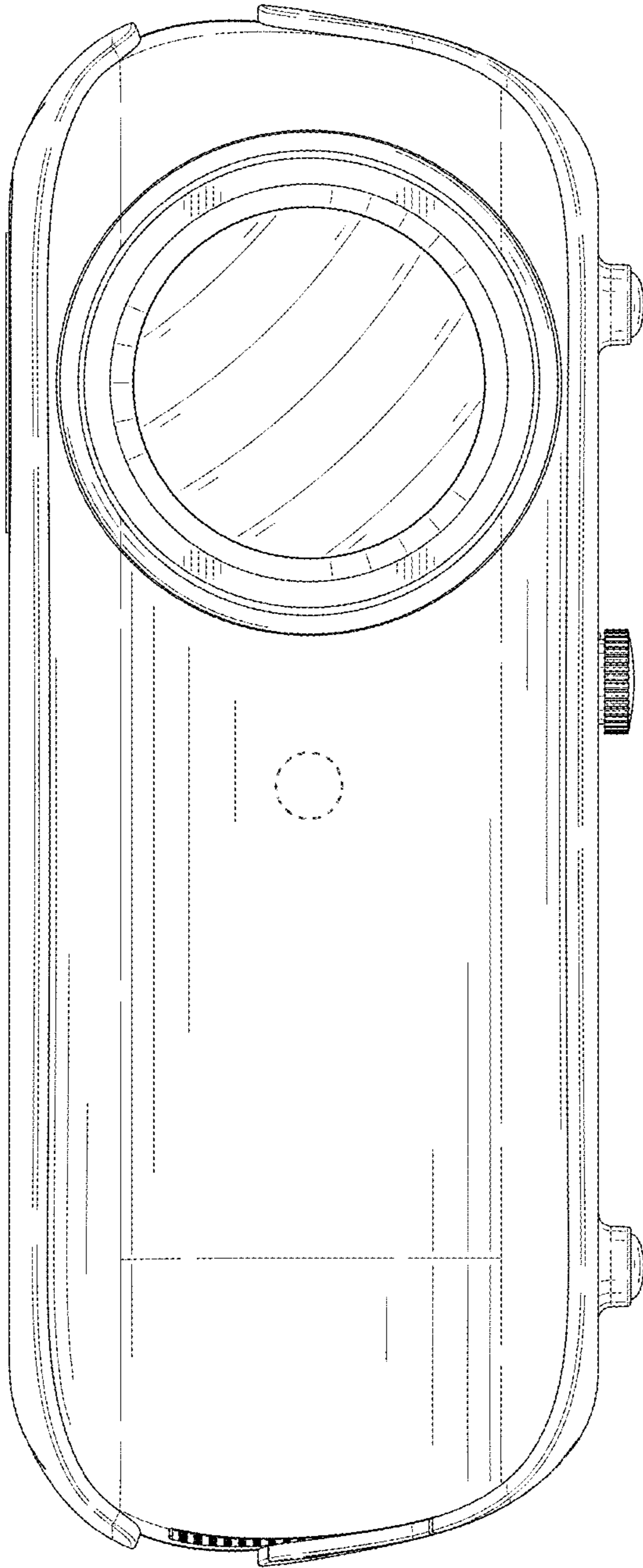


FIG. 3

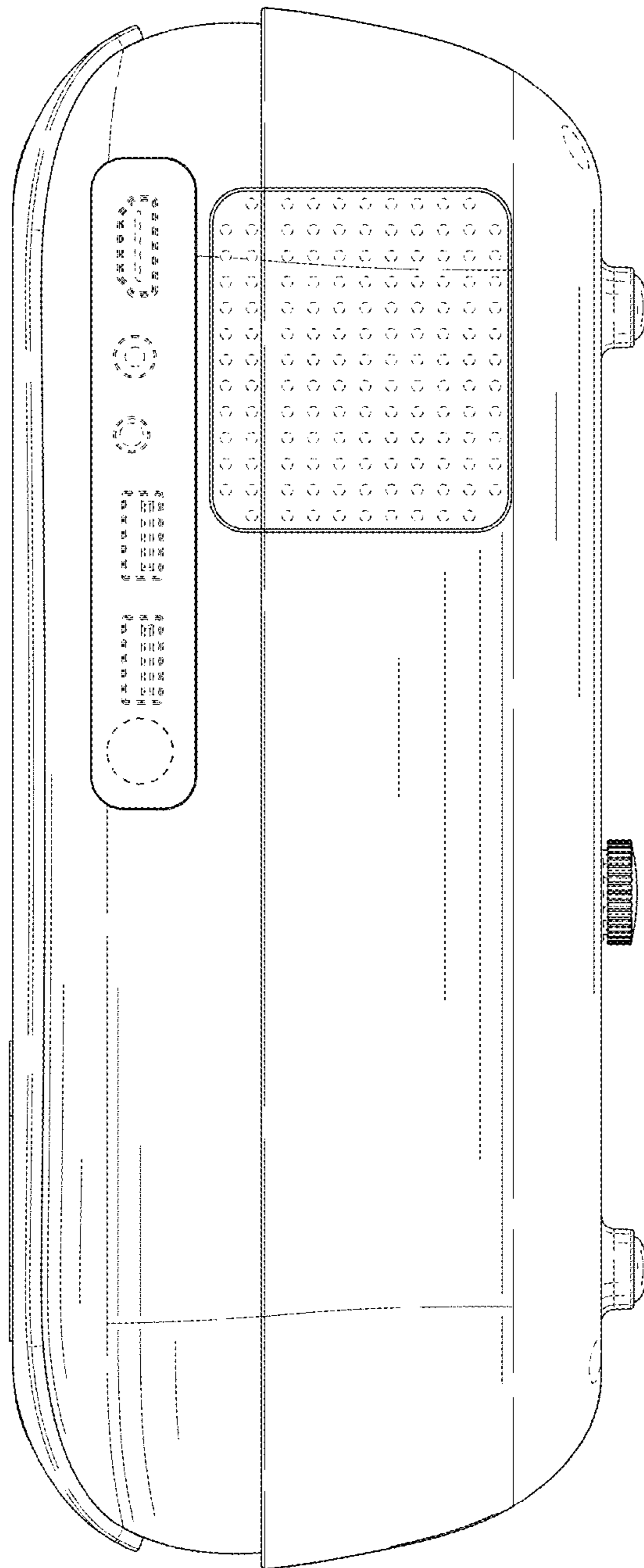


FIG. 4

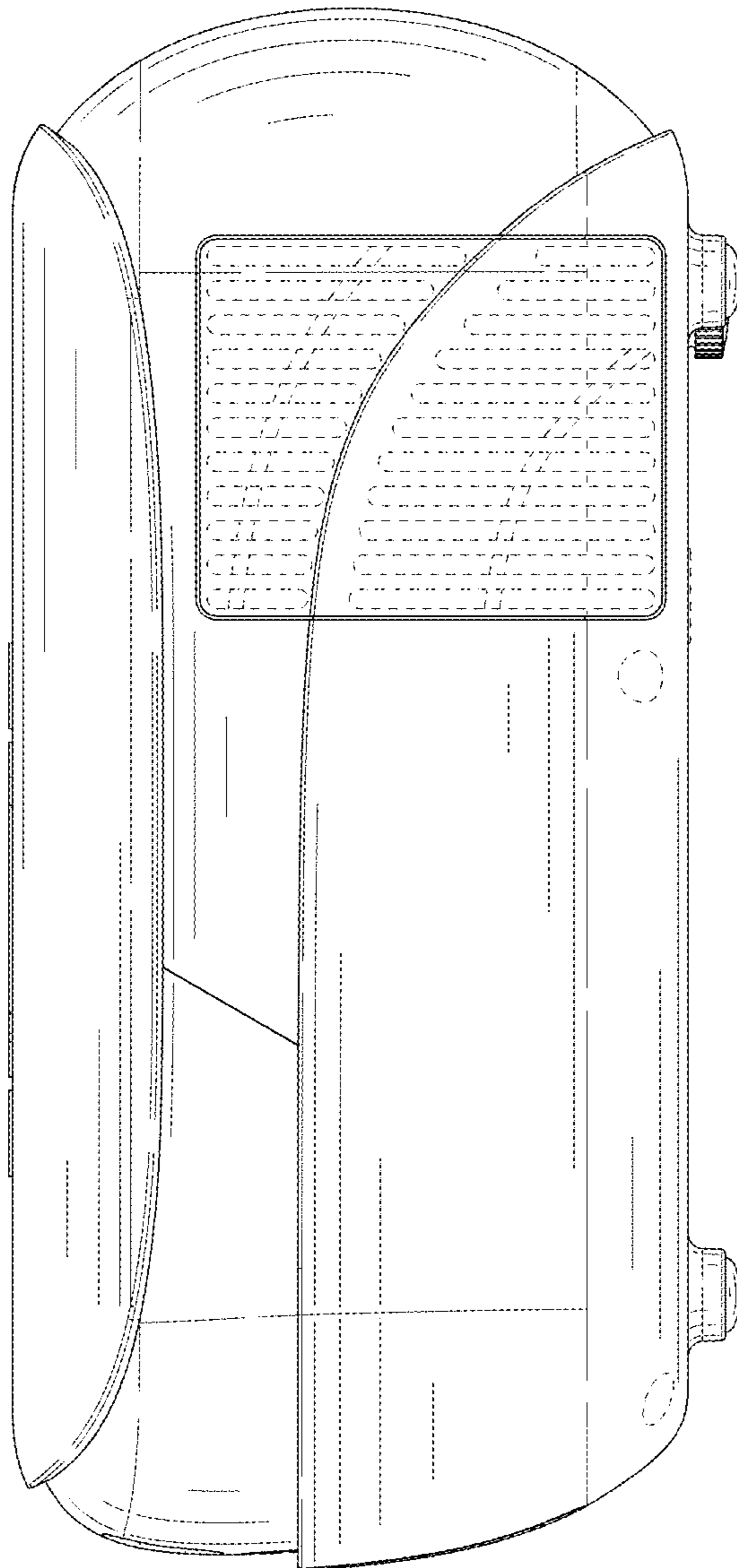


FIG. 5

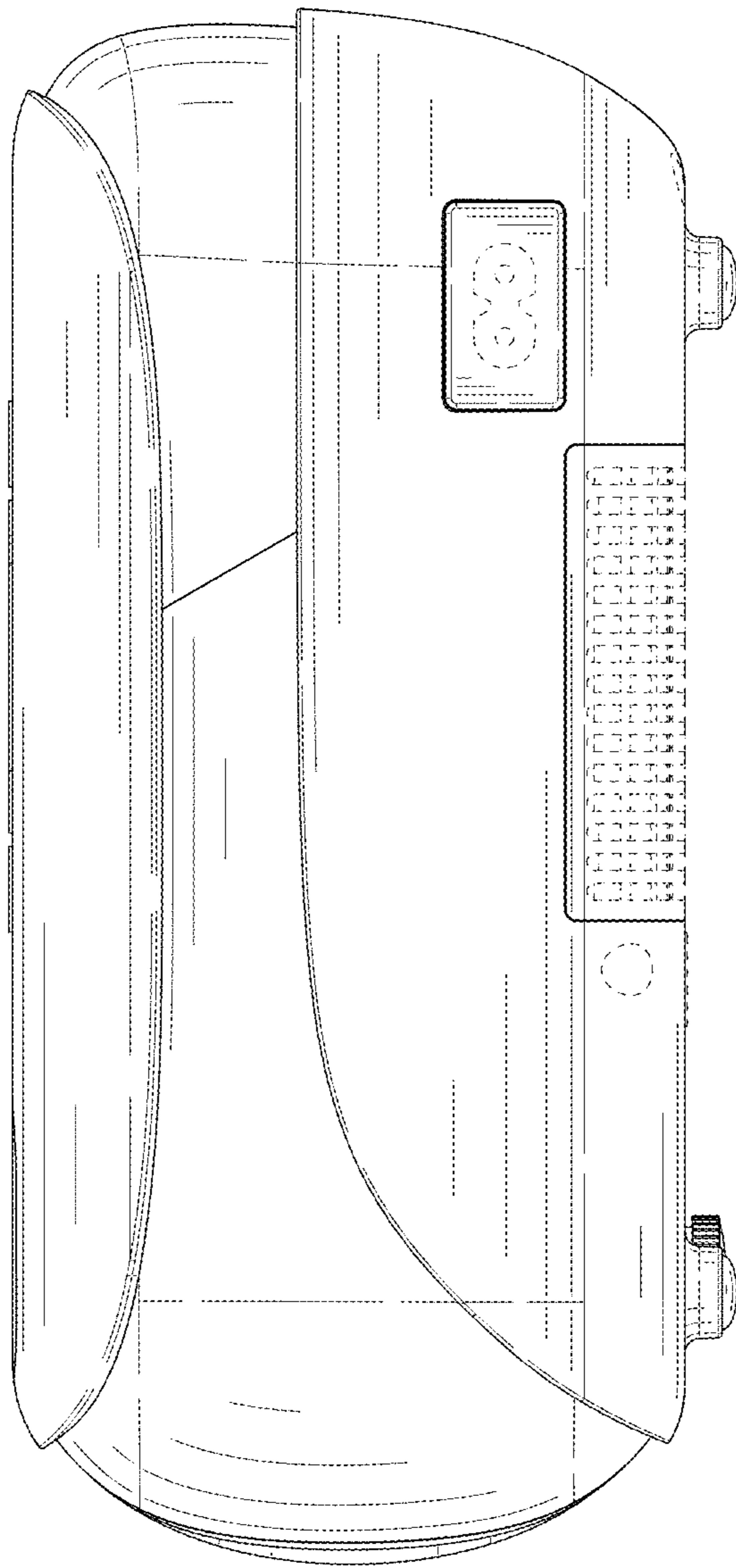


FIG. 6

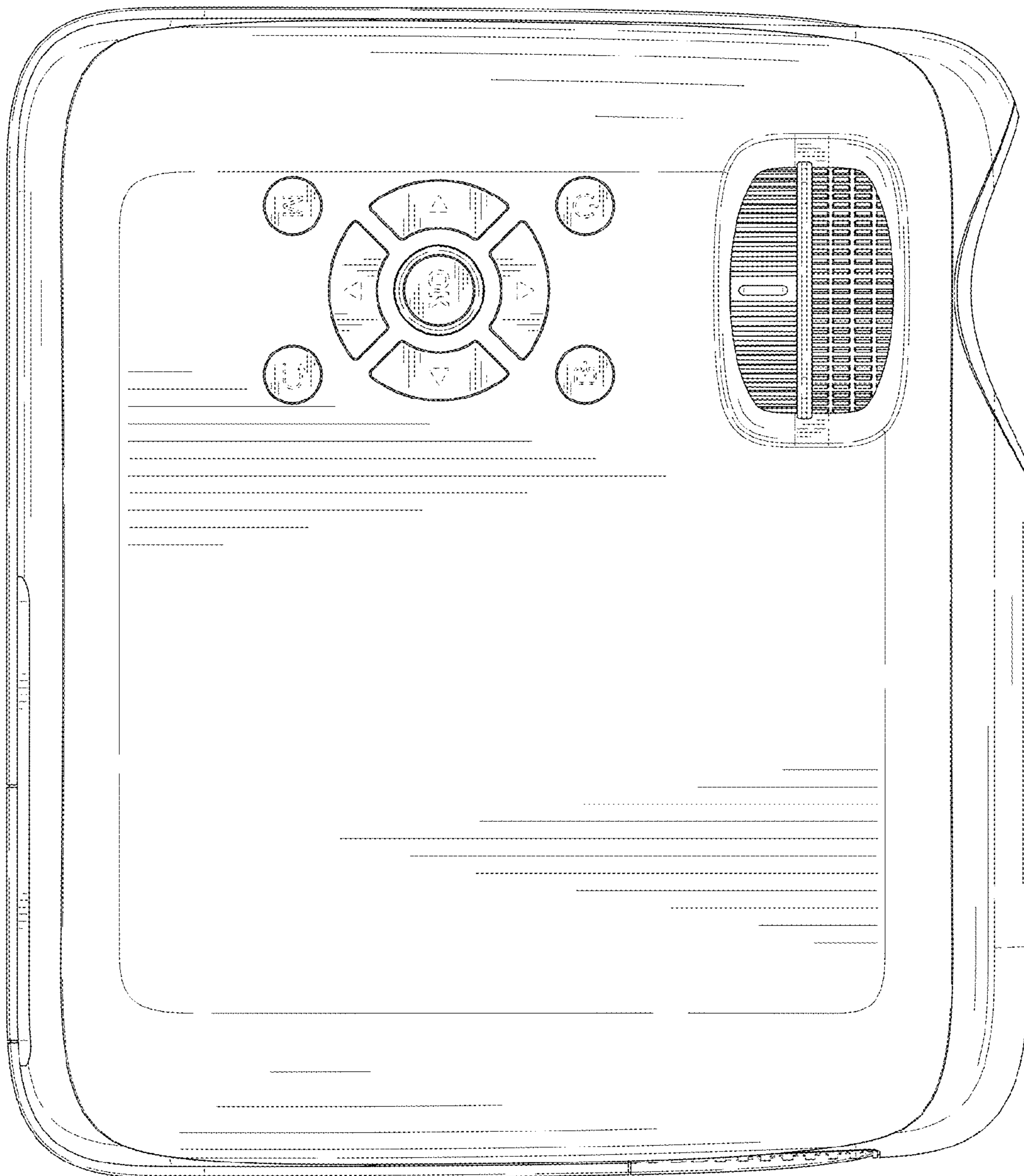


FIG. 7

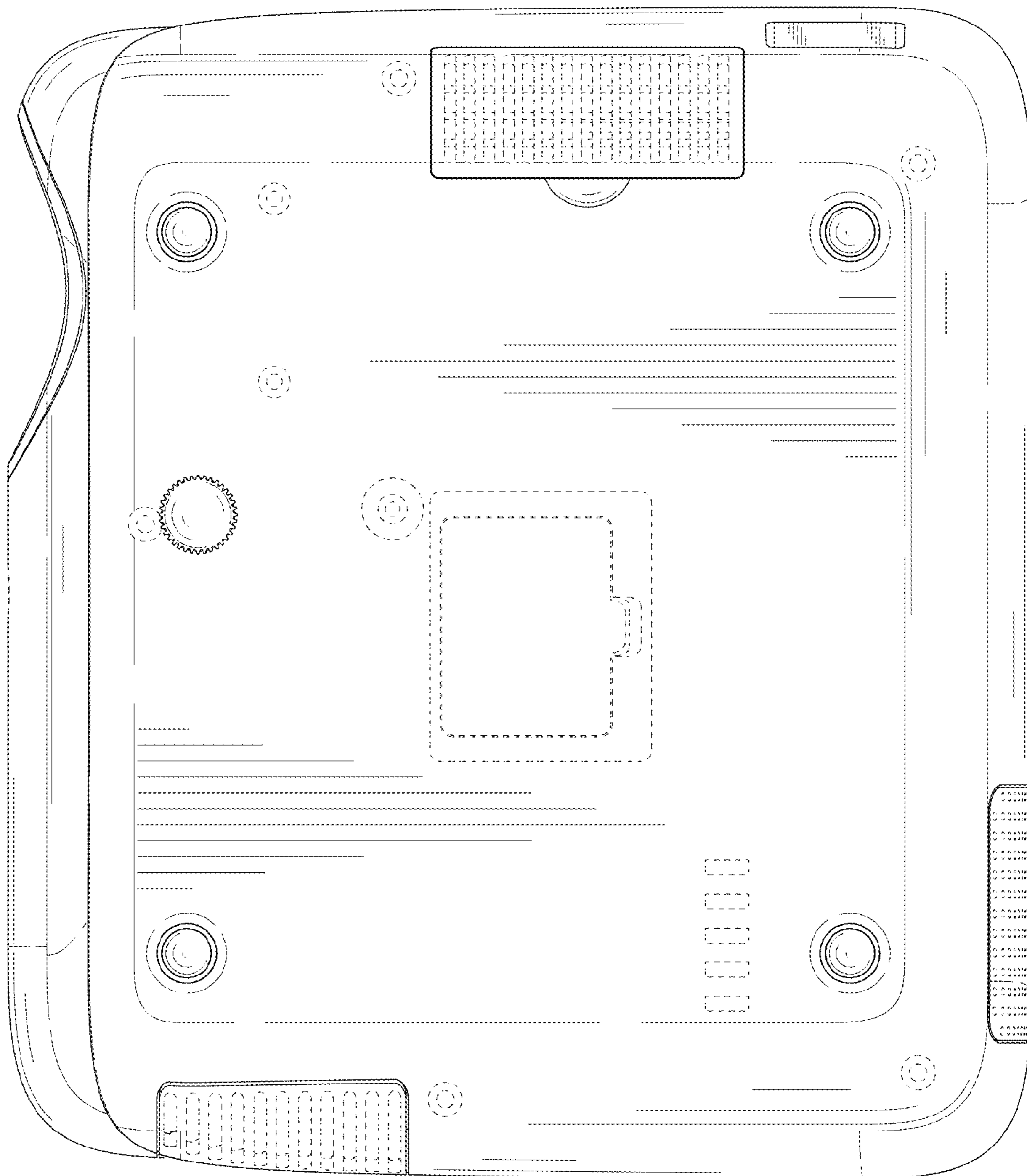


FIG. 8

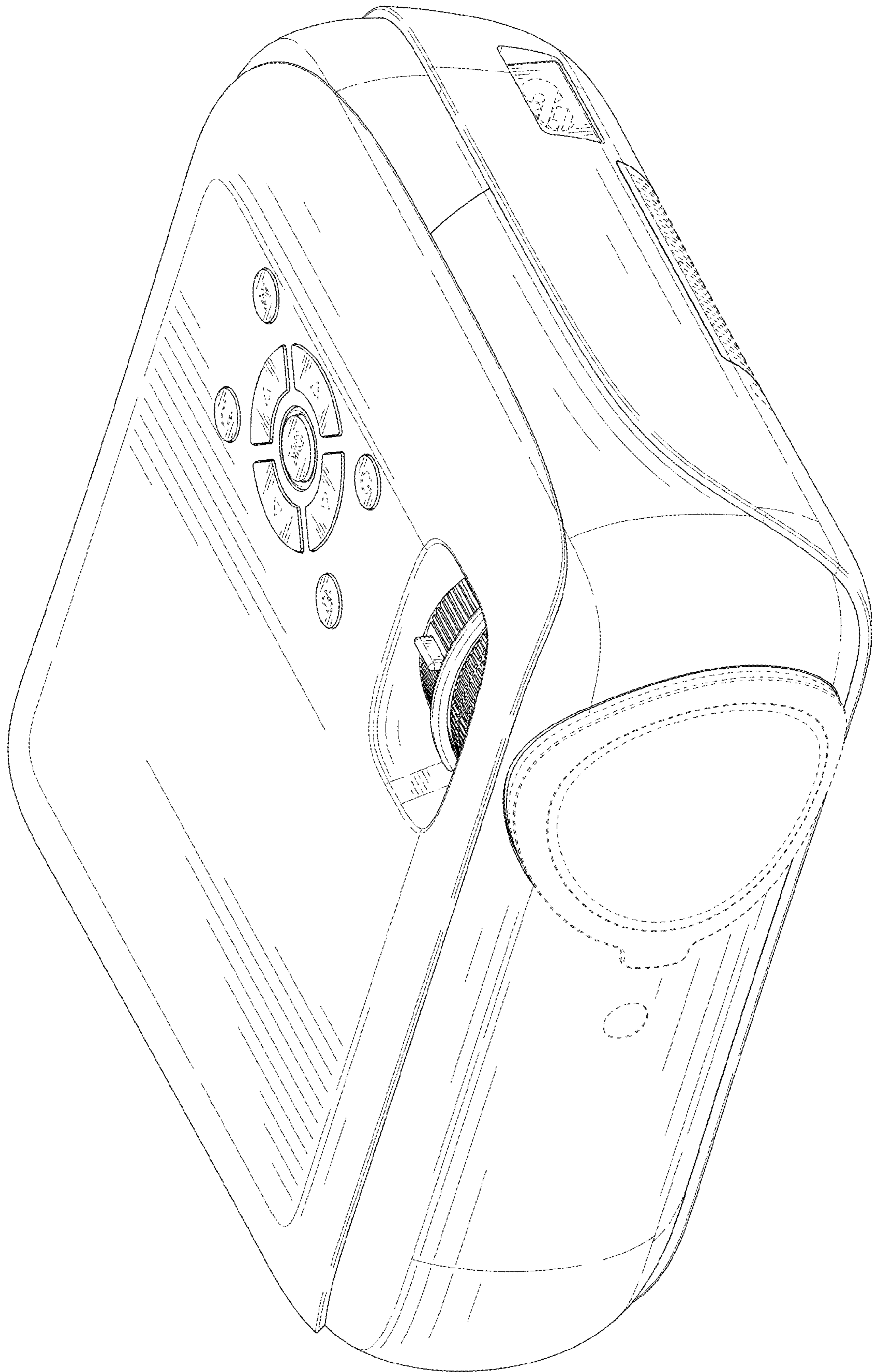


FIG. 9

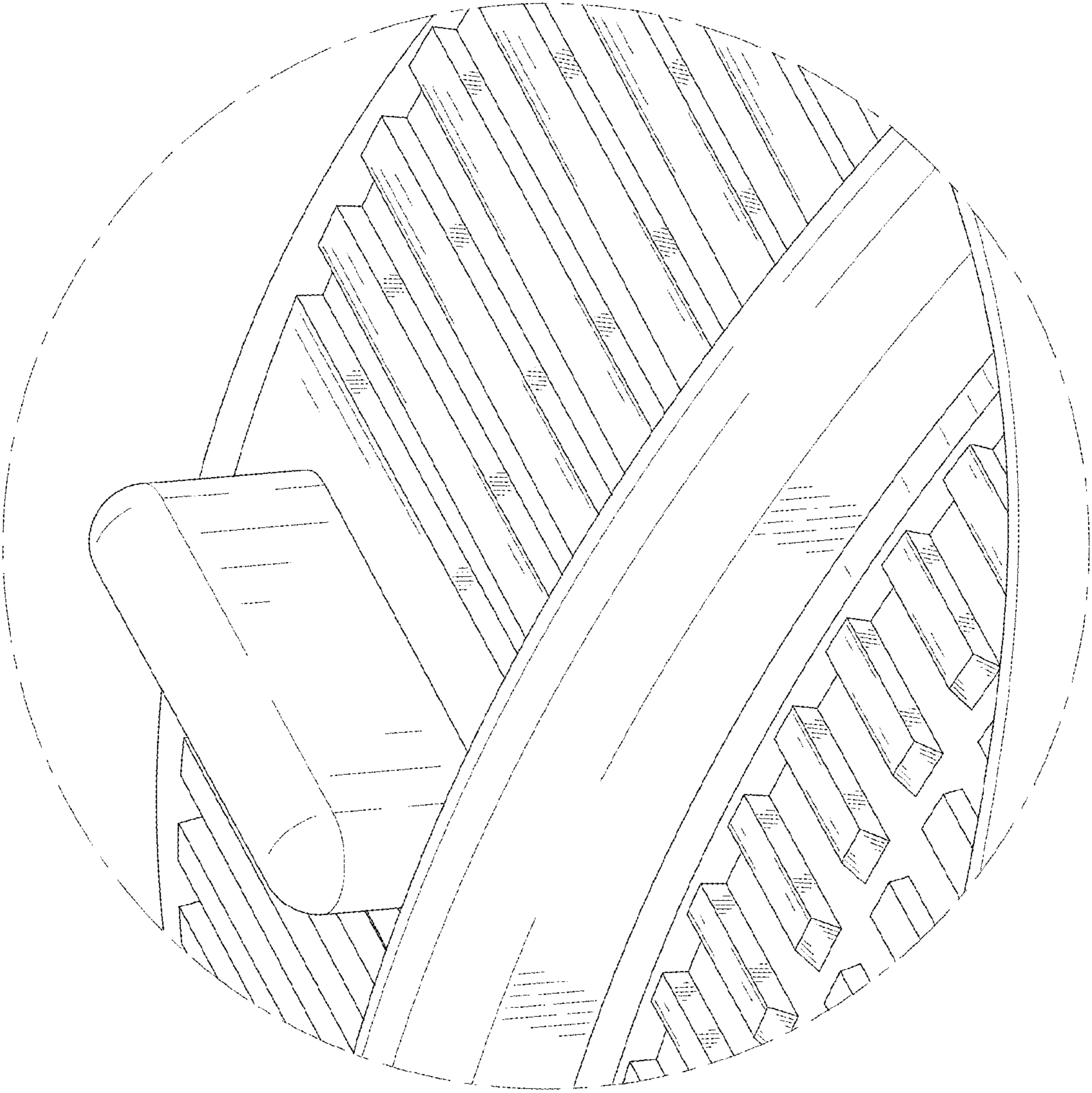


FIG. 10