



US00D967236S

(12) **United States Design Patent**  
**Long**

(10) **Patent No.:** **US D967,236 S**

(45) **Date of Patent:** **\*\* Oct. 18, 2022**

(54) **PROJECTOR**

(71) Applicant: **Shenzhen Chiptrip Technology Co., Ltd.**, Guangdong (CN)

(72) Inventor: **Changmei Long**, Guangdong (CN)

(\*\*) Term: **15 Years**

(21) Appl. No.: **29/797,290**

(22) Filed: **Jun. 30, 2021**

(51) **LOC (13) Cl.** ..... **16-02**

(52) **U.S. Cl.**  
USPC ..... **D16/230**

(58) **Field of Classification Search**  
USPC ..... D16/221, 225, 230–231, 234; D21/514  
CPC ..... G03B 21/00; G03B 21/14; G03B 21/145;  
G03B 21/16; G03B 21/001; G03B  
21/003; G03B 21/12  
See application file for complete search history.

(56) **References Cited**

**U.S. PATENT DOCUMENTS**

D633,125 S \* 2/2011 Han ..... D16/230  
8,104,902 B2 \* 1/2012 Mao ..... G03B 21/145  
348/241  
D831,096 S \* 10/2018 Gao ..... D16/230

D850,518 S \* 6/2019 Gan ..... D16/230  
D946,643 S \* 3/2022 Wei ..... D16/230  
D950,631 S \* 5/2022 Liang ..... D16/230  
D952,024 S \* 5/2022 Yamamoto ..... D16/230  
D952,731 S \* 5/2022 Lin ..... D16/230  
D956,853 S \* 7/2022 Gao ..... D16/230  
D958,229 S \* 7/2022 Wei ..... D16/230

\* cited by examiner

*Primary Examiner* — Wan Laymon

(74) *Attorney, Agent, or Firm* — Prakash Nama; Global IP Services, PLLC

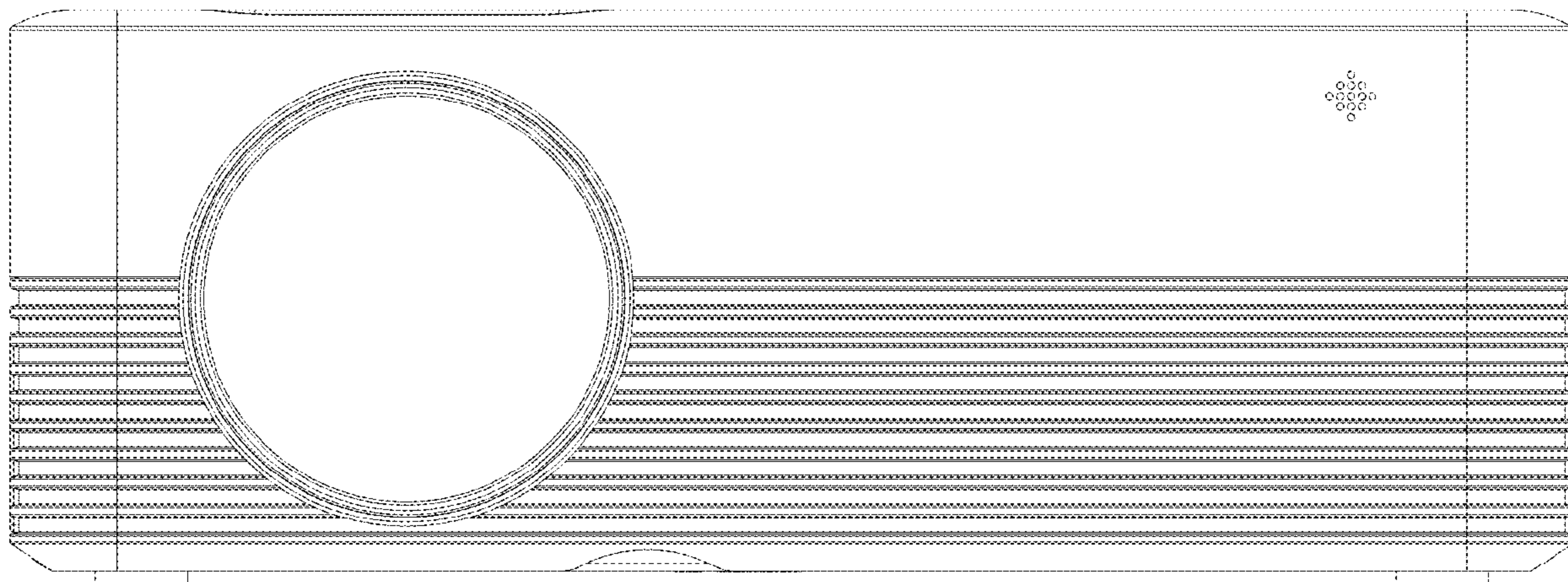
(57) **CLAIM**

The ornamental design for a projector, as shown and described.

**DESCRIPTION**

FIG. 1 is a front elevational view of a projector showing my new design;  
FIG. 2 is a rear elevational view thereof;  
FIG. 3 is a left side view thereof;  
FIG. 4 is a right side view thereof;  
FIG. 5 is a top plan view thereof;  
FIG. 6 is a bottom plan view thereof; and,  
FIG. 7 is a perspective view thereof.  
The broken lines shown in projector form no part of the claimed design.

**1 Claim, 7 Drawing Sheets**



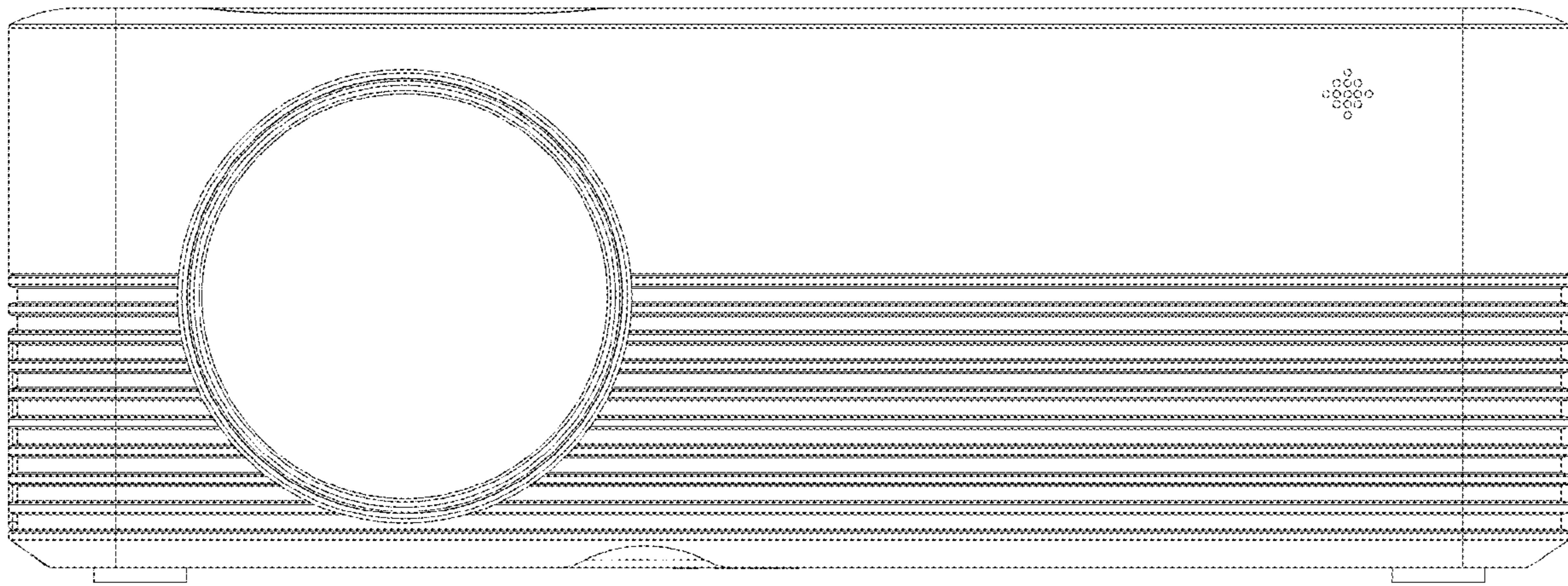


FIG. 1

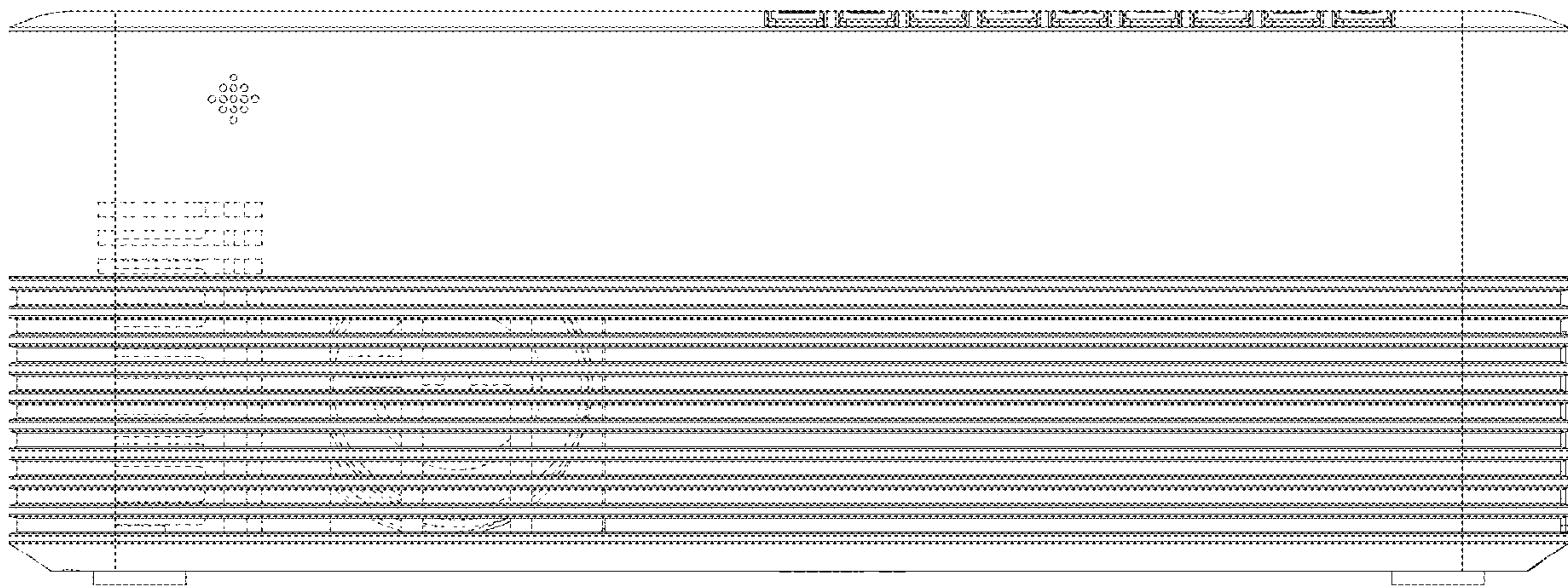


FIG. 2

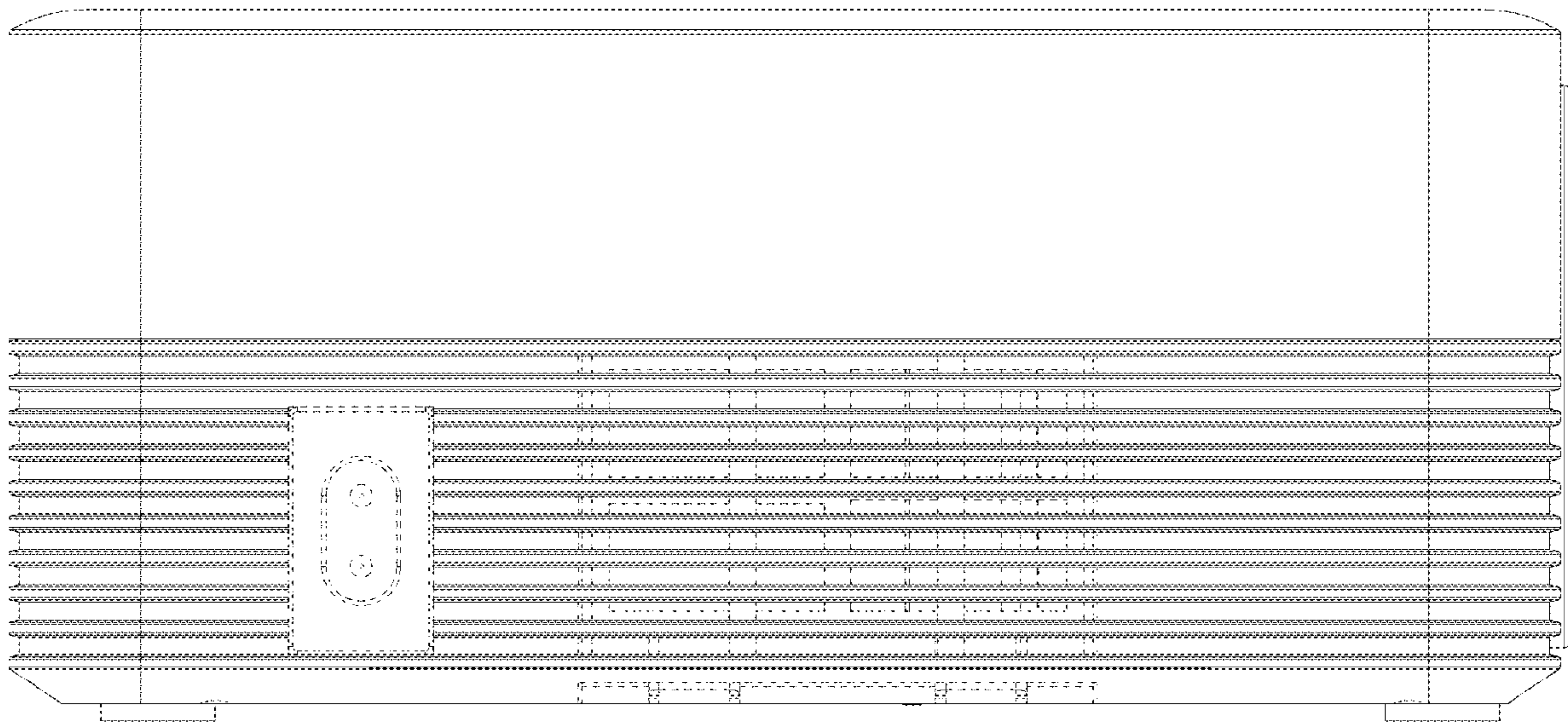


FIG. 3

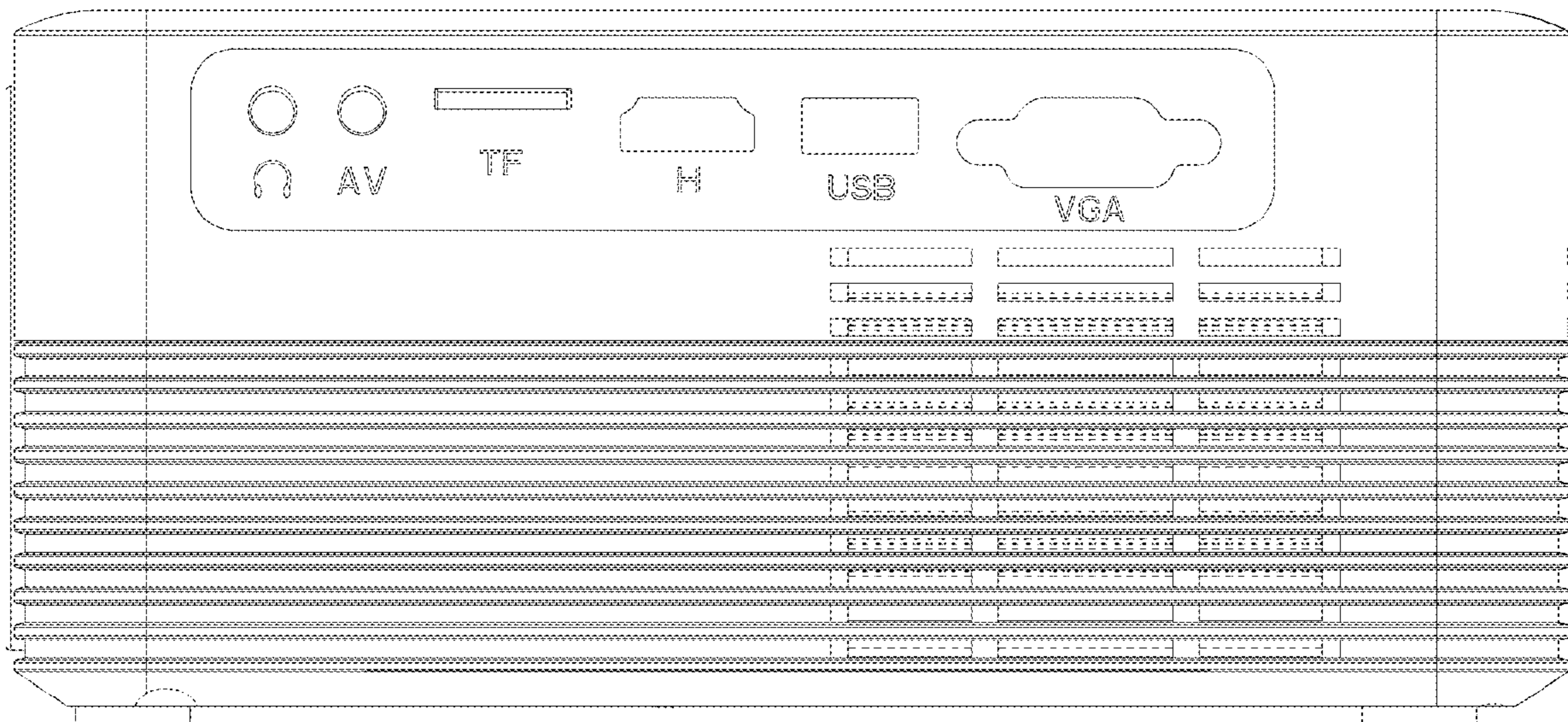


FIG. 4

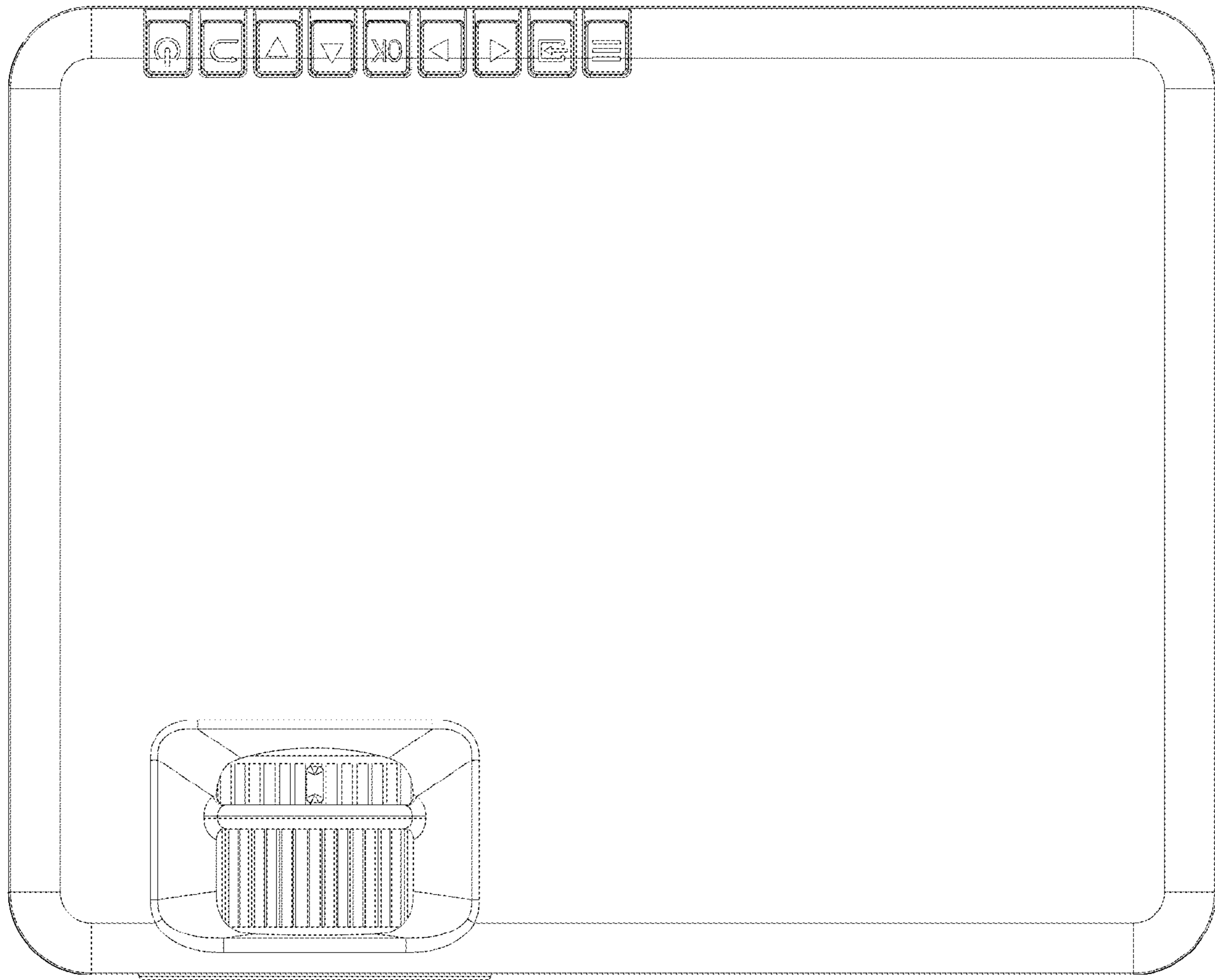


FIG. 5

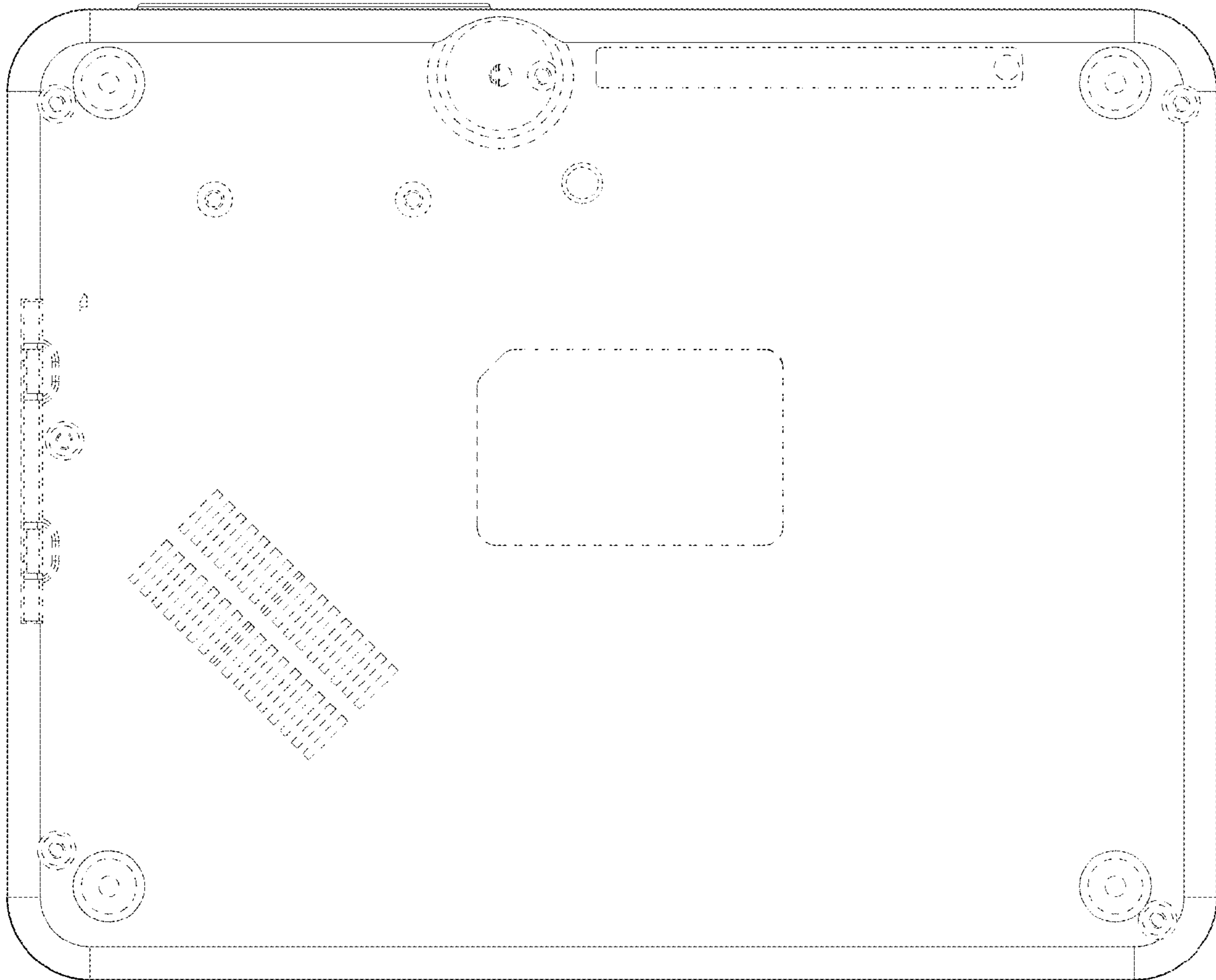


FIG. 6

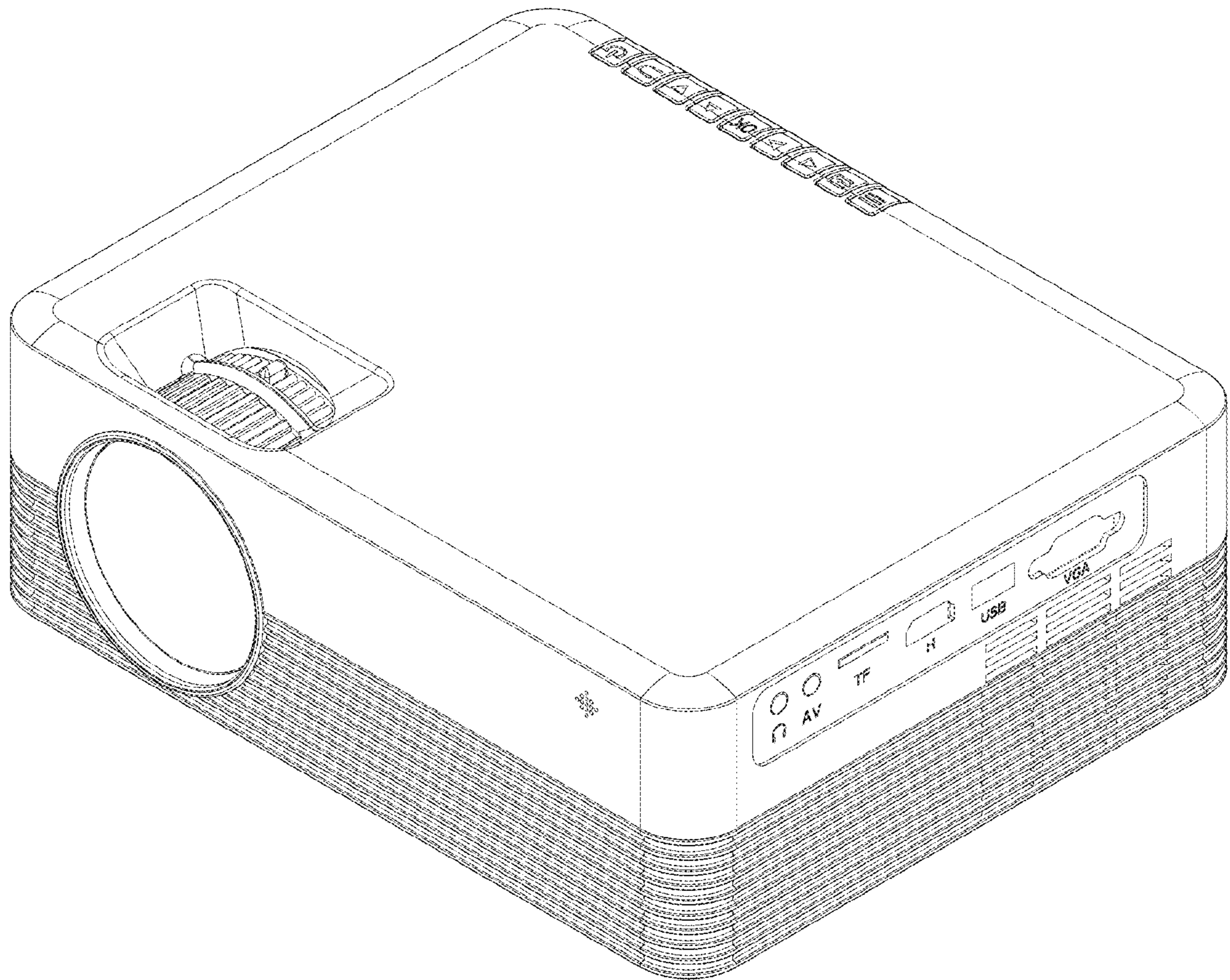


FIG. 7