

US00D967235S

(12) **United States Design Patent** (10) **Patent No.:** **US D967,235 S**  
**Lee et al.** (45) **Date of Patent:** **\*\* Oct. 18, 2022**

(54) **PROJECTOR**

(71) Applicant: **LG ELECTRONICS INC.**, Seoul (KR)  
 (72) Inventors: **Eunbong Lee**, Seoul (KR); **Daihyung Ryu**, Seoul (KR)  
 (73) Assignee: **LG ELECTRONICS INC.**, Seoul (KR)

(\*\*) Term: **15 Years**  
 (21) Appl. No.: **35/511,801**

(22) Filed: **Nov. 3, 2020**

(80) **Hague Agreement Data**

Int. Filing Date: **Nov. 3, 2020**  
 Int. Reg. No.: **DM/211166**  
 Int. Reg. Date: **Nov. 3, 2020**  
 Int. Reg. Pub. Date: **May 7, 2021**

(30) **Foreign Application Priority Data**

May 20, 2020 (KR) ..... 30-2020-0022091

(51) **LOC (13) Cl.** ..... **16-02**

(52) **U.S. Cl.**  
USPC ..... **D16/221**

(58) **Field of Classification Search**  
 USPC ..... D16/221, 225, 229-231, 234-235  
 CPC .... G03B 21/00; G03B 21/001; G03B 21/003;  
 G03B 21/12; G03B 21/14; G03B 21/145  
 See application file for complete search history.

(56) **References Cited**

U.S. PATENT DOCUMENTS

D379,190 S *	5/1997	Takami .....	D16/221
D402,679 S *	12/1998	Kawamoto .....	D16/221
D545,861 S *	7/2007	Naruki .....	D16/221
D557,318 S *	12/2007	Nishimura .....	D16/230
D926,245 S *	7/2021	Saito .....	D16/230

\* cited by examiner

*Primary Examiner* — Holly E Thurman

(74) *Attorney, Agent, or Firm* — Birch, Stewart, Kolasch & Birch, LLP

(57) **CLAIM**

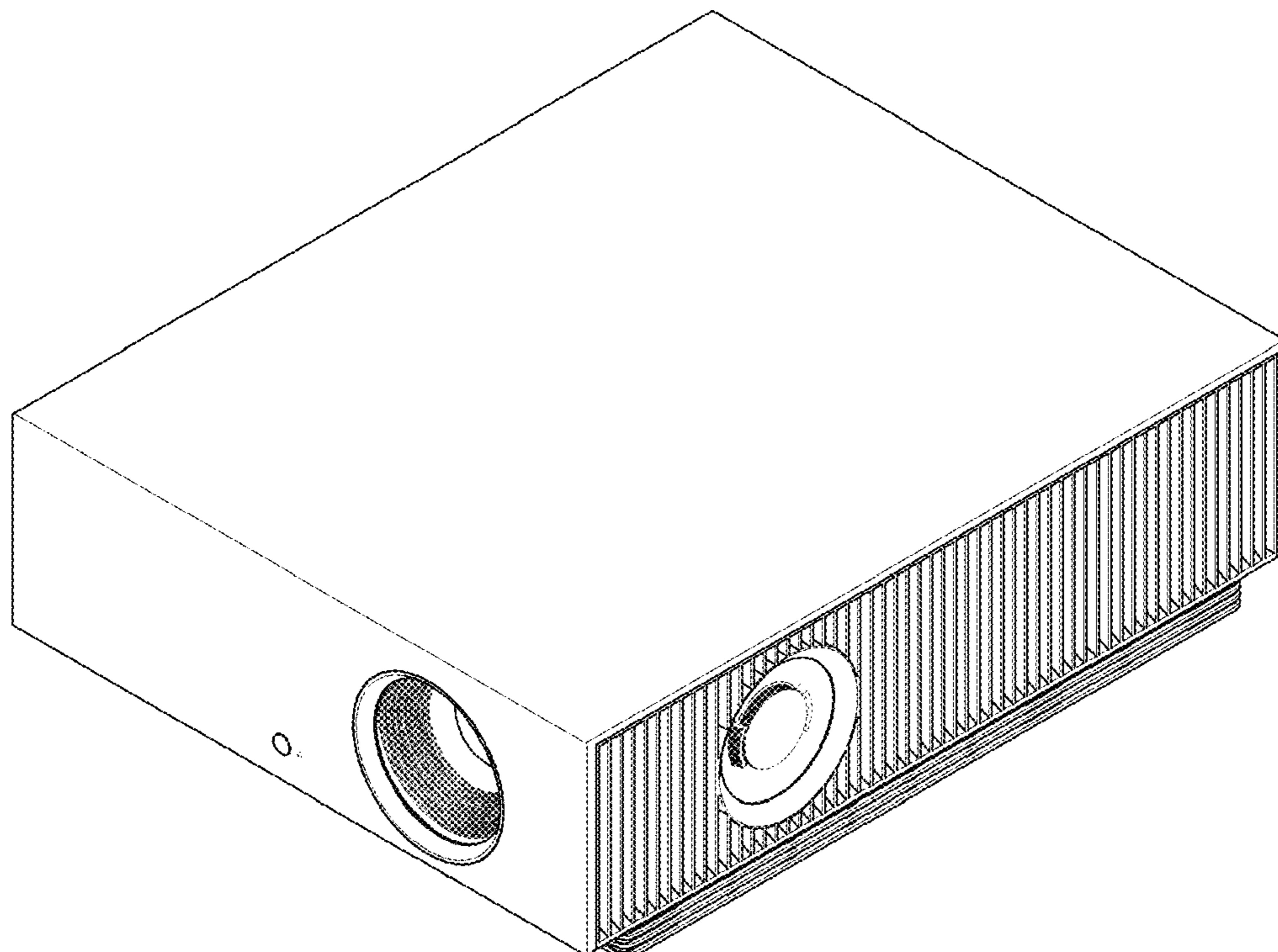
The ornamental design for a projector, as shown and described.

**DESCRIPTION**

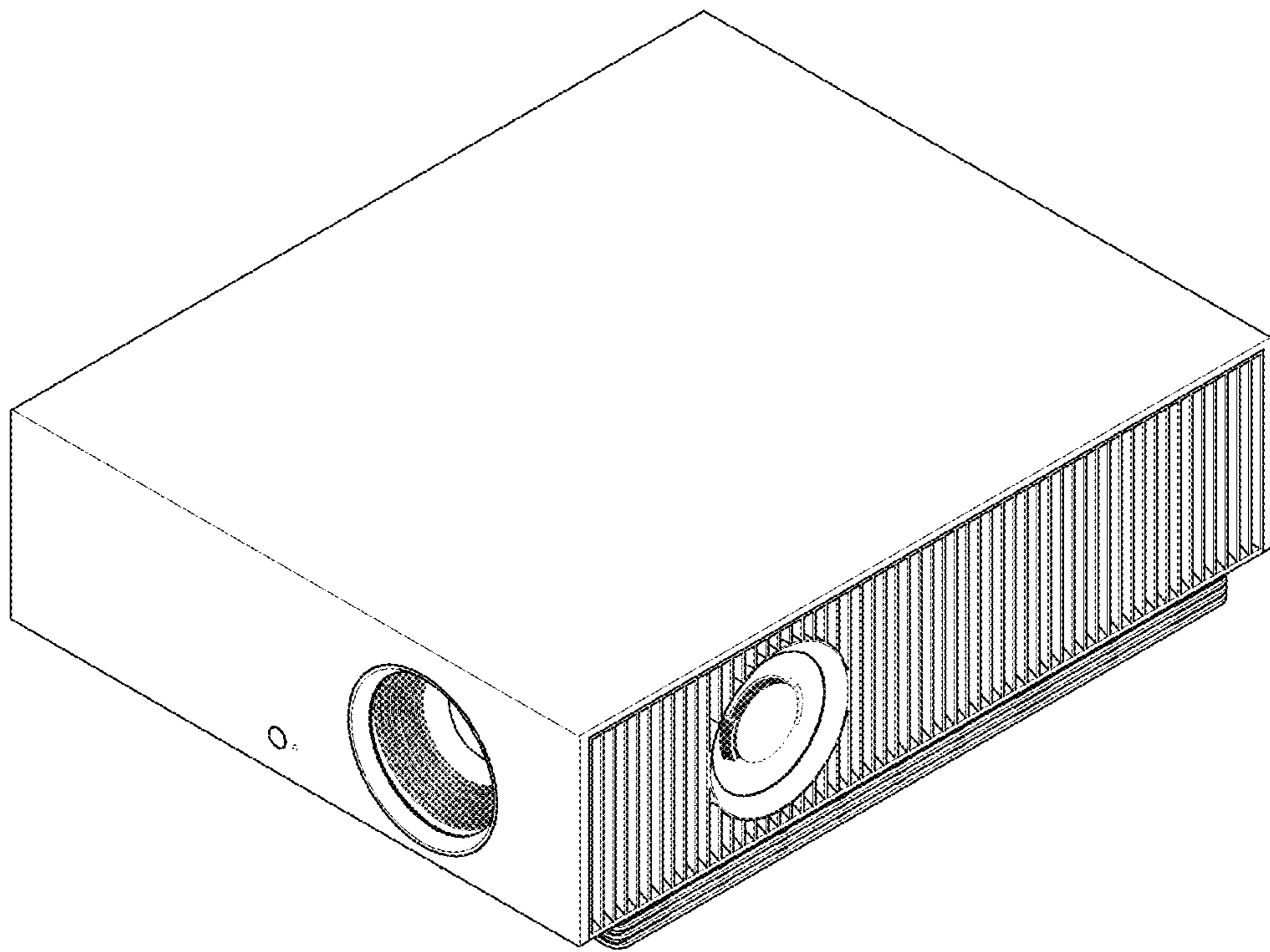
- 1. Projector
- 1.1 : Perspective
- 1.2 : Front
- 1.3 : Back
- 1.4 : Left
- 1.5 : Right
- 1.6 : Top
- 1.7 : Bottom

The broken lines indicate portions of the article that form no part of the claimed design.

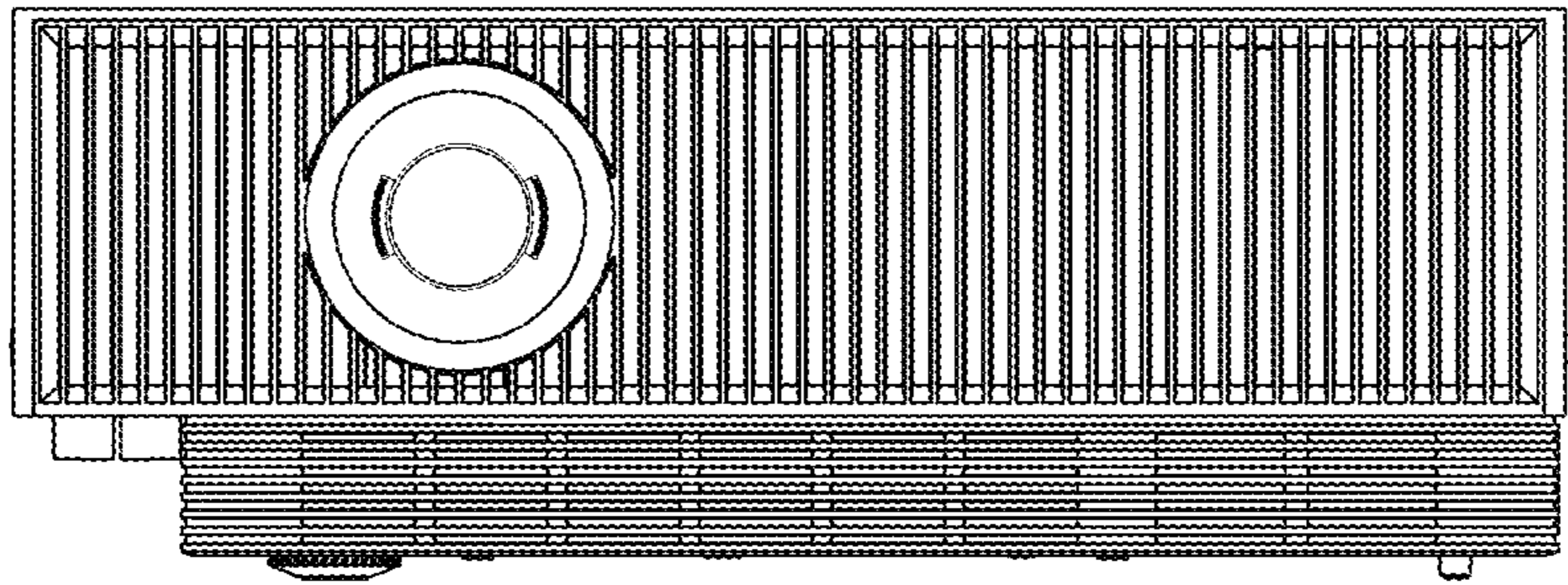
**1 Claim, 7 Drawing Sheets**



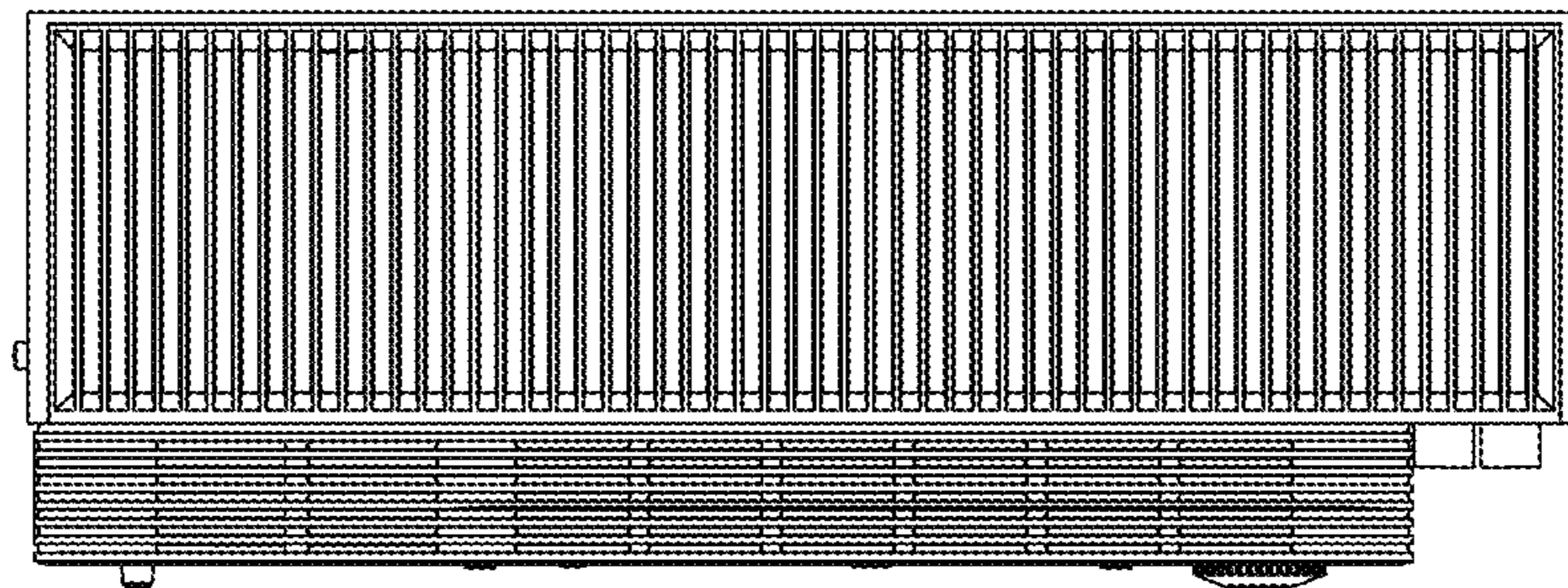
1.1



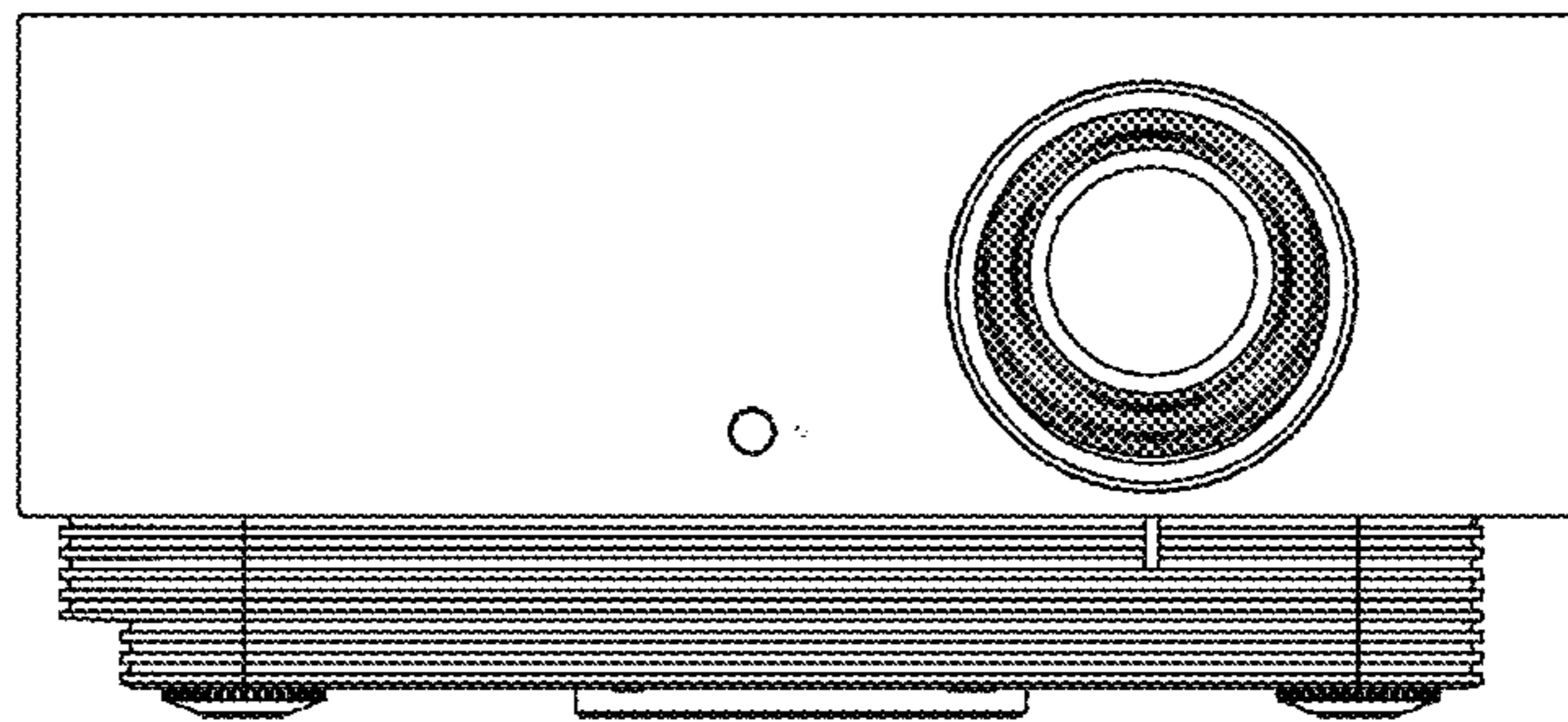
1.2



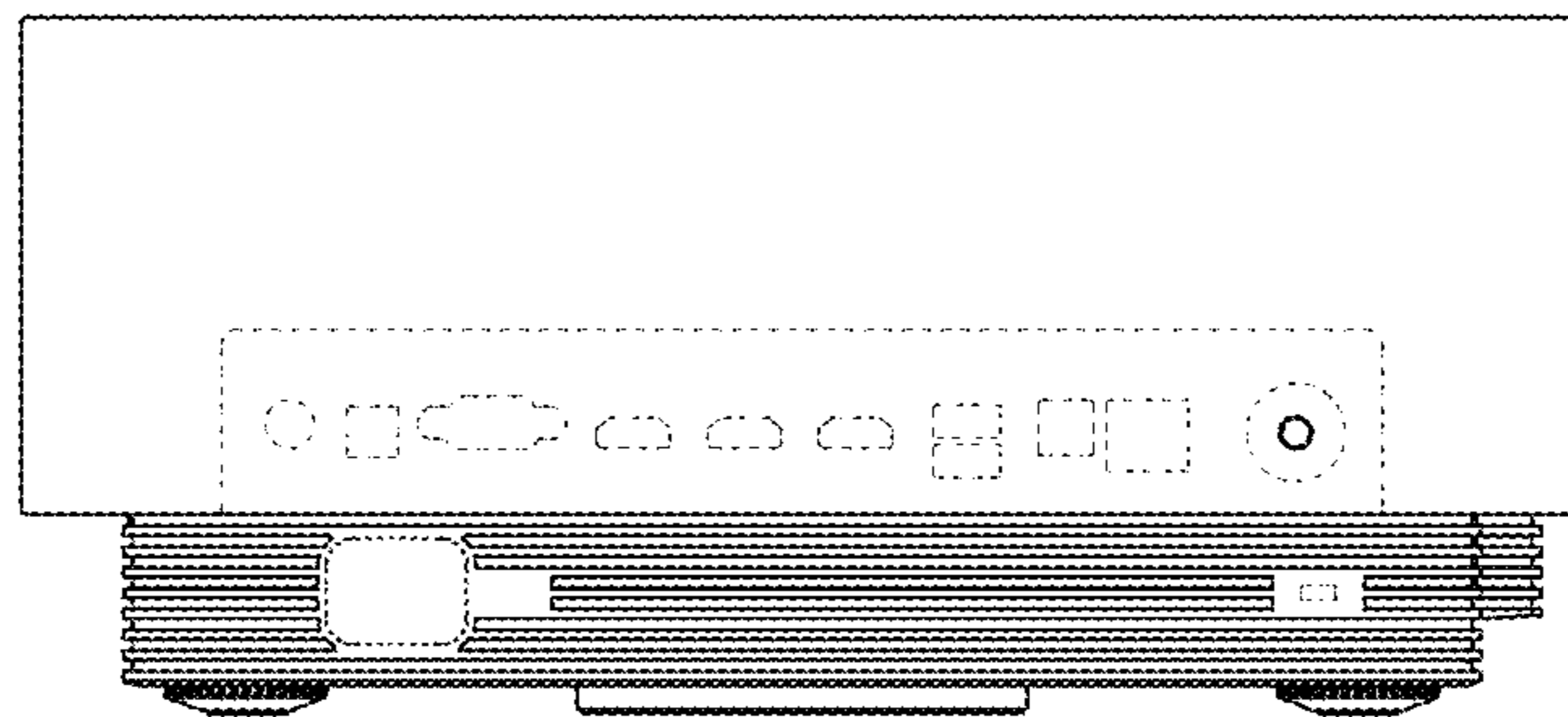
1.3



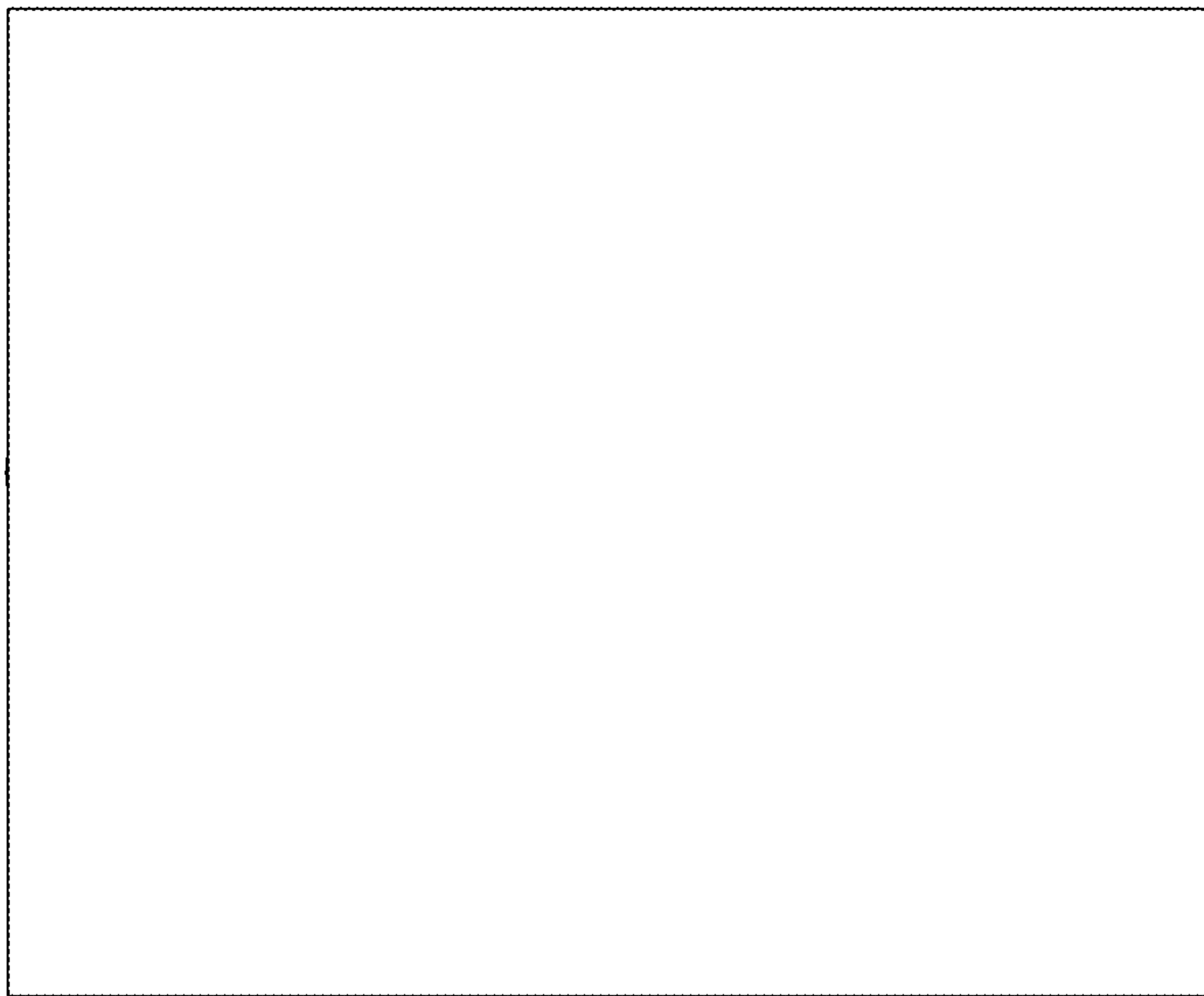
1.4



1.5



1.6



1.7

