



US00D967234S

(12) **United States Design Patent**  
**Triplett et al.**

(10) **Patent No.:** **US D967,234 S**

(45) **Date of Patent:** **\*\* Oct. 18, 2022**

(54) **DIGITAL CAMERA HOUSING**

(71) Applicant: **Camera Source, LLC**, Muskego, WI  
(US)

(72) Inventors: **Christopher L. Triplett**, Muskego, WI  
(US); **Brent Wright**, Kinston, NC (US)

(\*\*) Term: **15 Years**

(21) Appl. No.: **35/002,086**

(22) Filed: **Aug. 12, 2021**

(80) **Hague Agreement Data**

Int. Filing Date: **Aug. 12, 2021**

Int. Reg. No.: **DM/216175**

Int. Reg. Date: **Aug. 12, 2021**

Int. Reg. Pub. Date: **Sep. 17, 2021**

(51) **LOC (13) Cl.** ..... **16-01**

(52) **U.S. Cl.**  
USPC ..... **D16/219**

(58) **Field of Classification Search**  
USPC ..... D16/200, 202–203, 207, 218, 219  
CPC ..... H04N 5/232; G04G 21/02; G06F 1/1686  
See application file for complete search history.

(56) **References Cited**

**U.S. PATENT DOCUMENTS**

- 6,038,402 A \* 3/2000 Horning ..... G03B 19/04  
396/536
- 6,793,414 B2 9/2004 Akada
- D624,106 S \* 9/2010 Cho ..... D16/203
- D629,031 S \* 12/2010 Su ..... D16/202
- D800,201 S \* 10/2017 Song ..... D16/202
- D810,802 S \* 2/2018 Schulze ..... D16/202

- D849,098 S \* 5/2019 Kapuria ..... D16/208
- D881,055 S \* 4/2020 Hong ..... D10/106.1
- D888,800 S \* 6/2020 Hsu ..... D16/208
- D888,802 S \* 6/2020 Hsu ..... D16/208
- D904,217 S \* 12/2020 Furnari ..... D10/118.2
- 2005/0116127 A1 6/2005 Chen
- 2005/0200751 A1 9/2005 Weaver
- 2005/0212958 A1 9/2005 Se et al.

**OTHER PUBLICATIONS**

Zorg, "Multi-Vehicle LVDS Camera Relocation Kit," <<https://www.zorg-na.com/product/4210/>>, Website accessed Aug. 17, 2021.  
Triplett, Christopher. Ford Camera Factory Relocation Box. Aug. 13, 2021, Johnson Creek, WI.  
Triplett, Christopher. GM Factory Relocation Box. Aug. 17, 2021, Muskego, WI.

\* cited by examiner

*Primary Examiner* — Holly E Thurman

(57) **CLAIM**

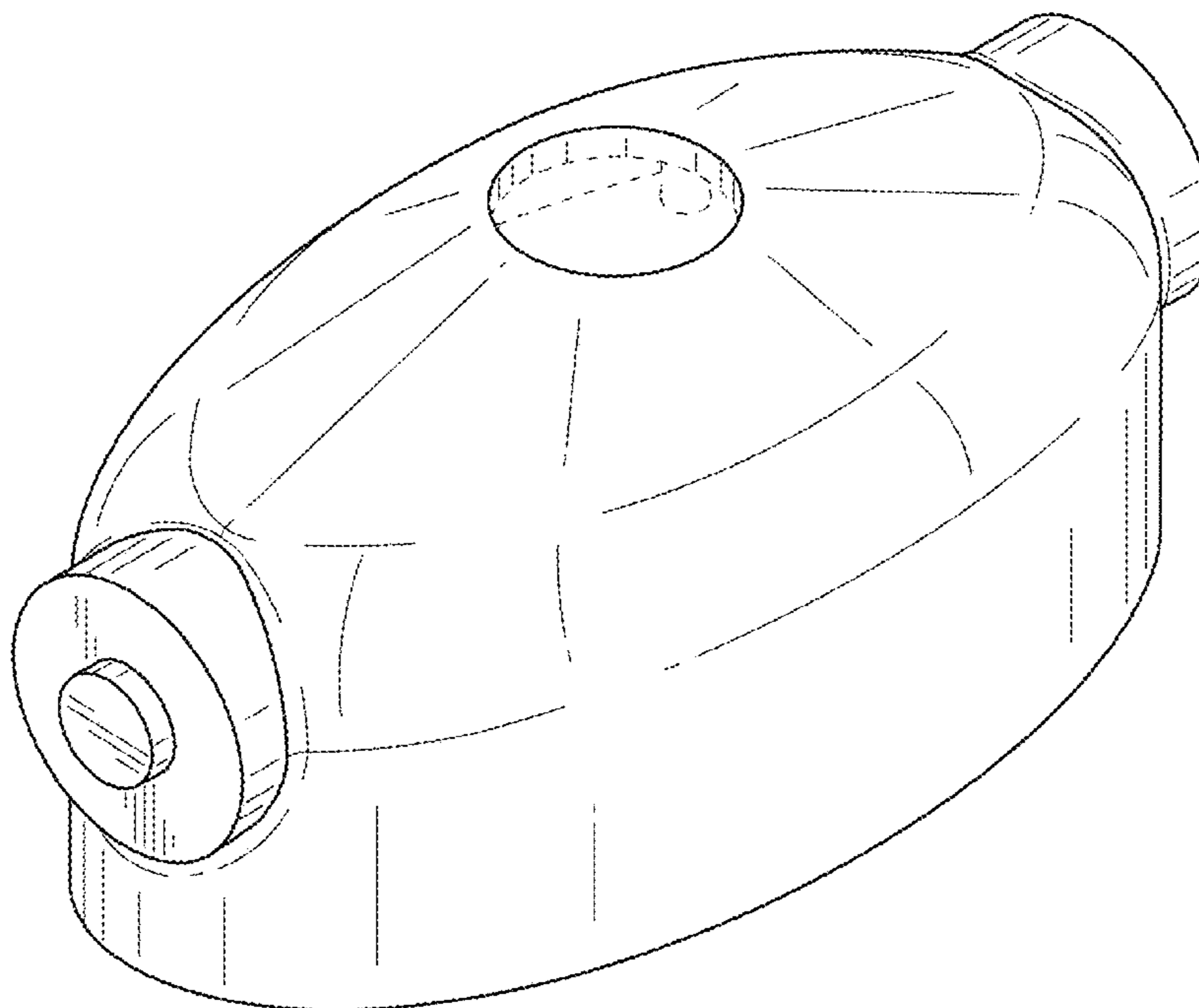
The ornamental design for a digital camera housing, as shown and described.

**DESCRIPTION**

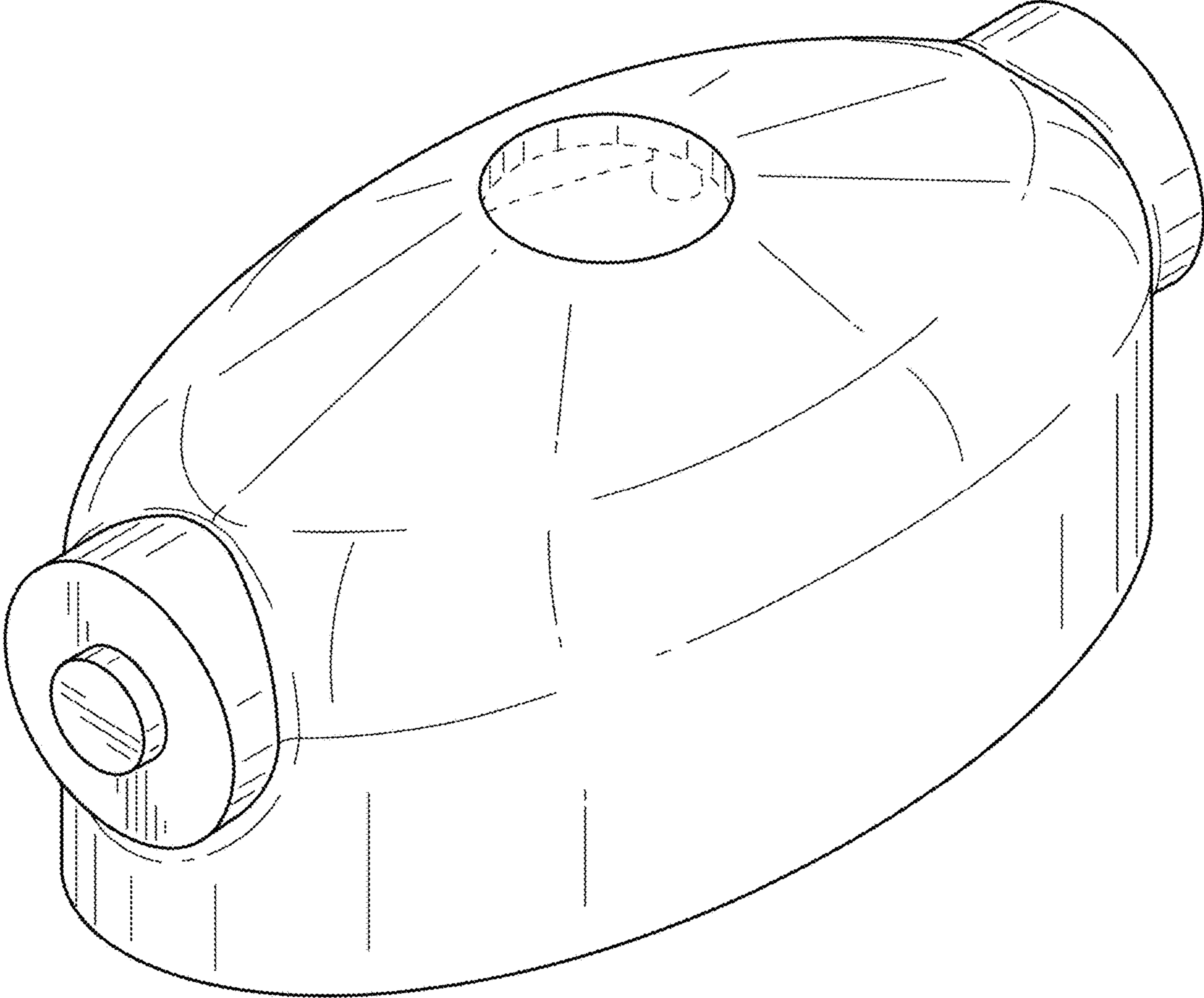
- 1. Digital camera housing
- 1.1 : Perspective
- 1.2 : Front
- 1.3 : Back
- 1.4 : Left
- 1.5 : Right
- 1.6 : Top
- 1.7 : Bottom

The broken lines in reproductions 1.1 and 1.7 are included for the purpose of illustrating unclaimed environment only, and forms no part of the claimed design.

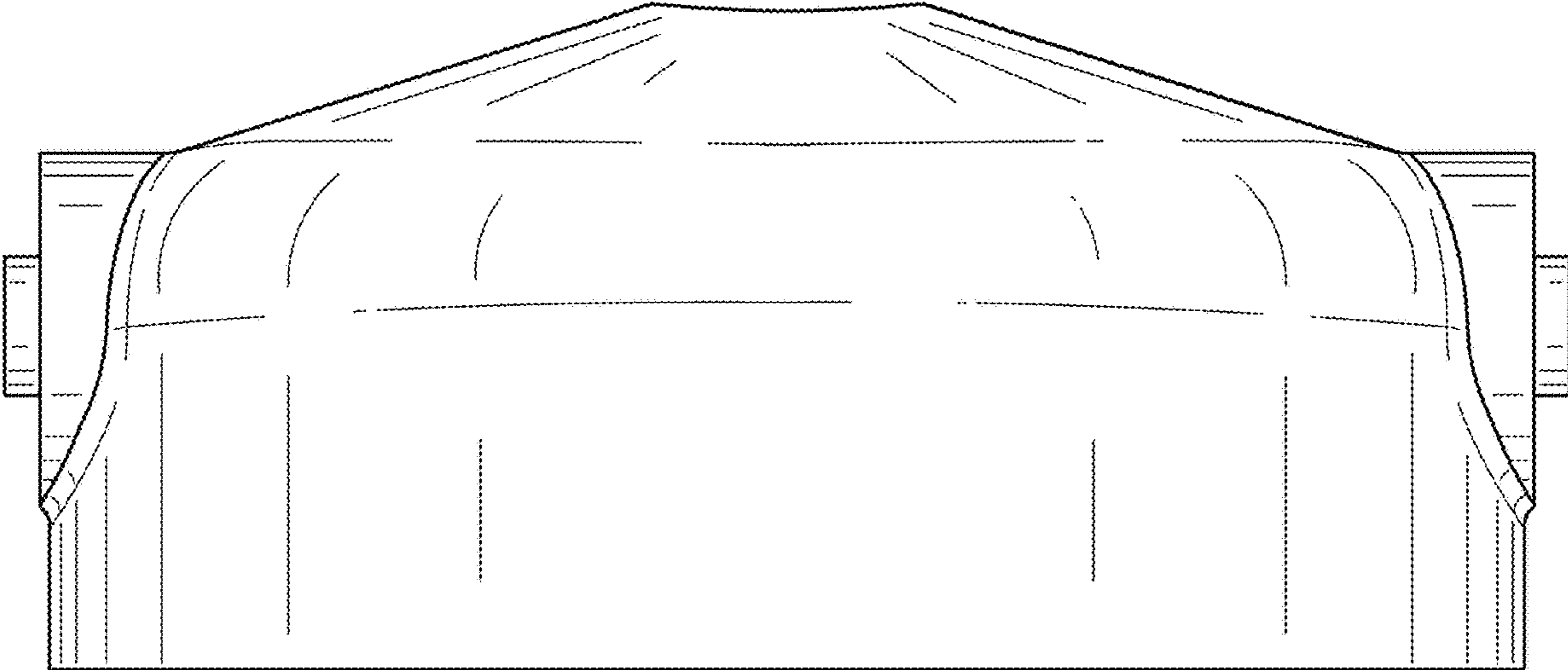
**1 Claim, 7 Drawing Sheets**



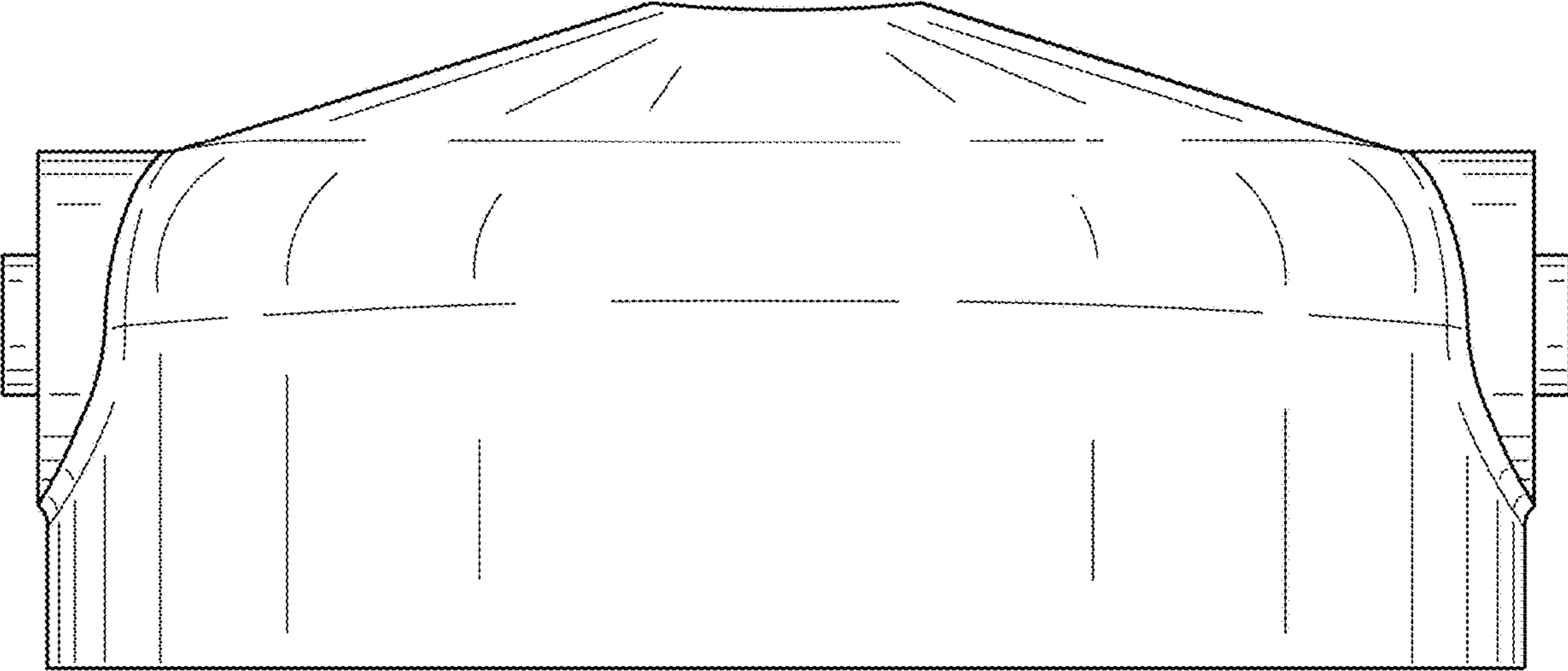
1.1



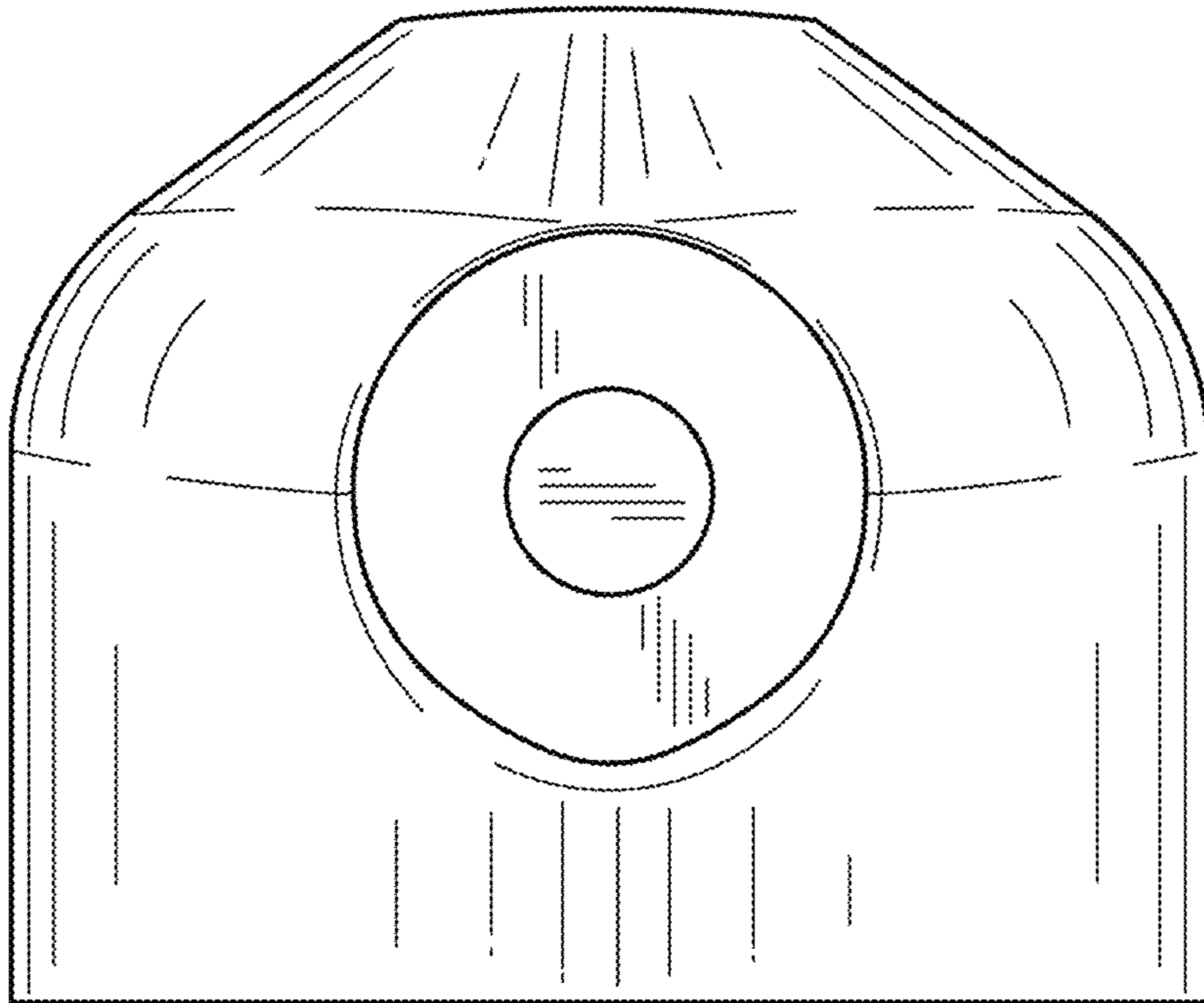
1.2



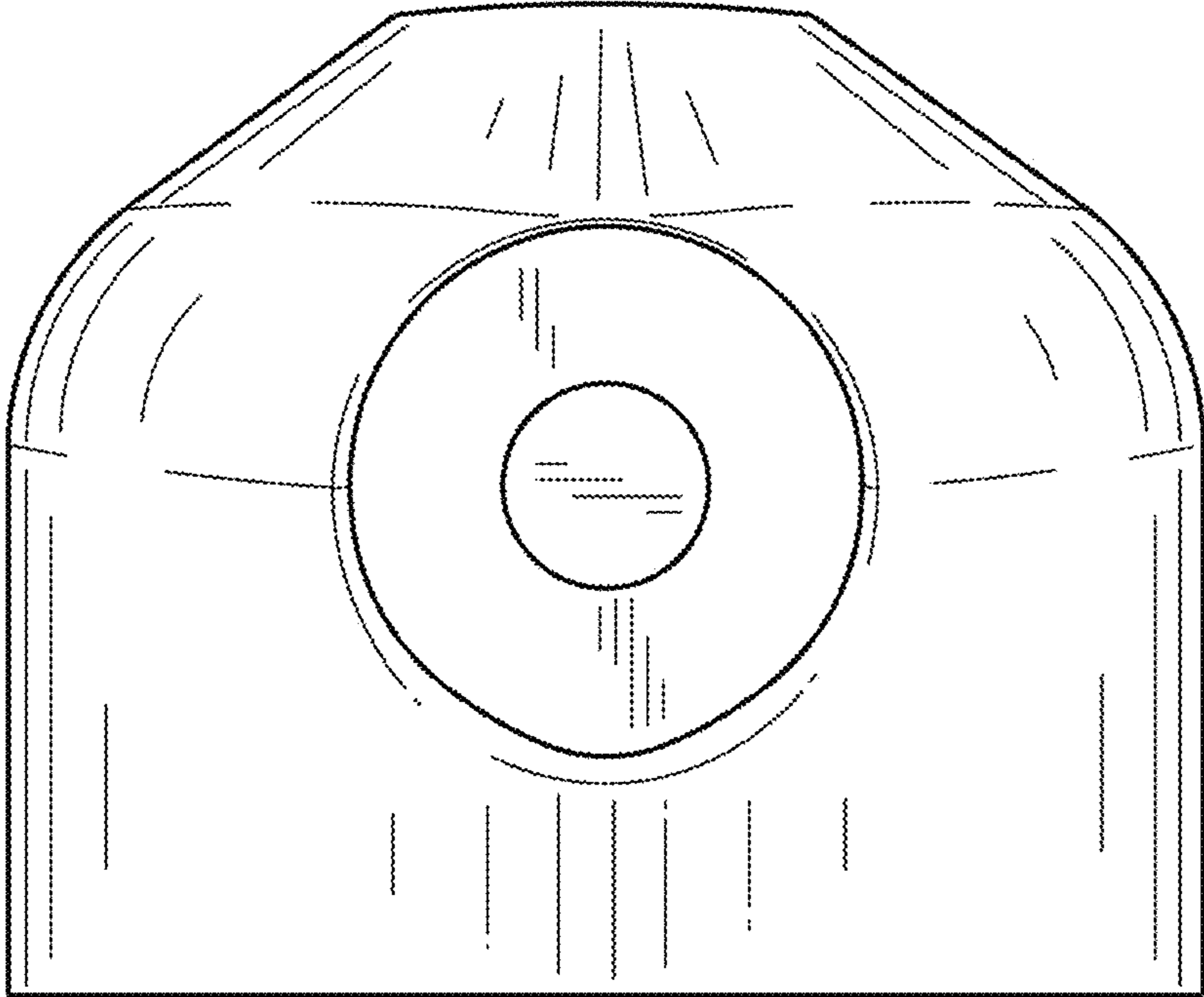
1.3



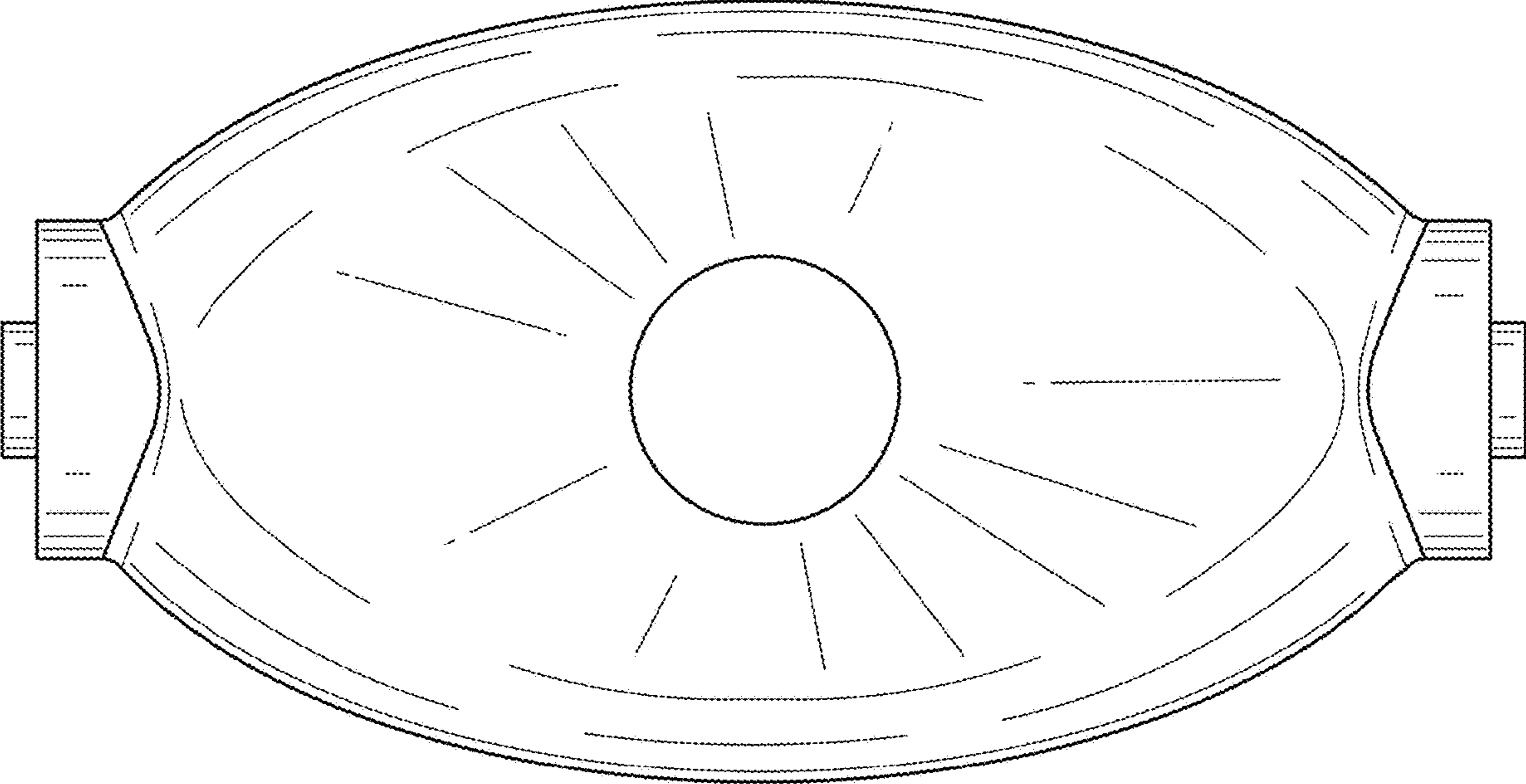
1.4



1.5



1.6



1.7

