



US00D967233S

(12) **United States Design Patent**
O'Connor et al.

(10) **Patent No.:** **US D967,233 S**

(45) **Date of Patent:** **** Oct. 18, 2022**

(54) **CAMERA**

(71) Applicant: **Amazon Technologies, Inc.**, Seattle, WA (US)

(72) Inventors: **Michael O'Connor**, Charlestown, MA (US); **Jonathan Howard Biddle**, San Francisco, CA (US); **Thomas Burns**, Mt. Sinai, NY (US); **Emmanuel Laffon de Mazieres**, Danville, CA (US)

(73) Assignee: **Amazon Technologies, Inc.**, Seattle, WA (US)

(**) Term: **15 Years**

(21) Appl. No.: **29/829,682**

(22) Filed: **Mar. 7, 2022**

Related U.S. Application Data

(62) Division of application No. 29/780,675, filed on Apr. 26, 2021, now Pat. No. Des. 945,515, which is a division of application No. 29/722,150, filed on Jan. 27, 2020, now Pat. No. Des. 917,603.

(51) **LOC (13) Cl.** **16-05**

(52) **U.S. Cl.**
USPC **D16/219**

(58) **Field of Classification Search**

USPC D14/172, 194, 204, 221; D16/200–205, D16/208, 217–219; 348/148, 373–376; 396/529, 535–541

CPC G03B 15/03; G03B 17/02; G03B 17/04; G03B 17/56; G03B 19/04; H04N 5/2251; H04N 5/2252; H04N 5/2253; H04N 5/2254; H04N 2101/00

See application file for complete search history.

(56) **References Cited**

U.S. PATENT DOCUMENTS

D441,386 S 5/2001 Yamazaki
D616,480 S 5/2010 Ookawa et al.

D668,283 S 10/2012 Ohno et al.
8,467,675 B2 6/2013 Chen et al.
8,908,036 B2 12/2014 Tanaka et al.
D727,387 S 4/2015 Hasegawa et al.
D727,991 S 4/2015 Hasegawa et al.
D729,761 S 5/2015 Hu et al.
D730,423 S 5/2015 Vandebussche
D739,452 S 9/2015 Adams
D741,932 S 10/2015 Huang et al.
D745,589 S 12/2015 Lee et al.

(Continued)

OTHER PUBLICATIONS

Japanese Office Action dated Feb. 2, 2021 for Japanese Design Application No. 2020-015442, a counterpart foreign application of US Design No. D917,603, 6 pages.

Primary Examiner — Ramzi Almatrahi

(74) *Attorney, Agent, or Firm* — Lee & Hayes, P.C.

(57) **CLAIM**

The ornamental design for a camera, as shown and described.

DESCRIPTION

FIG. 1 is a top, front, right-side perspective view of a camera;

FIG. 2 is a bottom, back, right-side perspective view thereof;

FIG. 3 is a front view thereof;

FIG. 4 is a back view thereof;

FIG. 5 is a left-side view thereof;

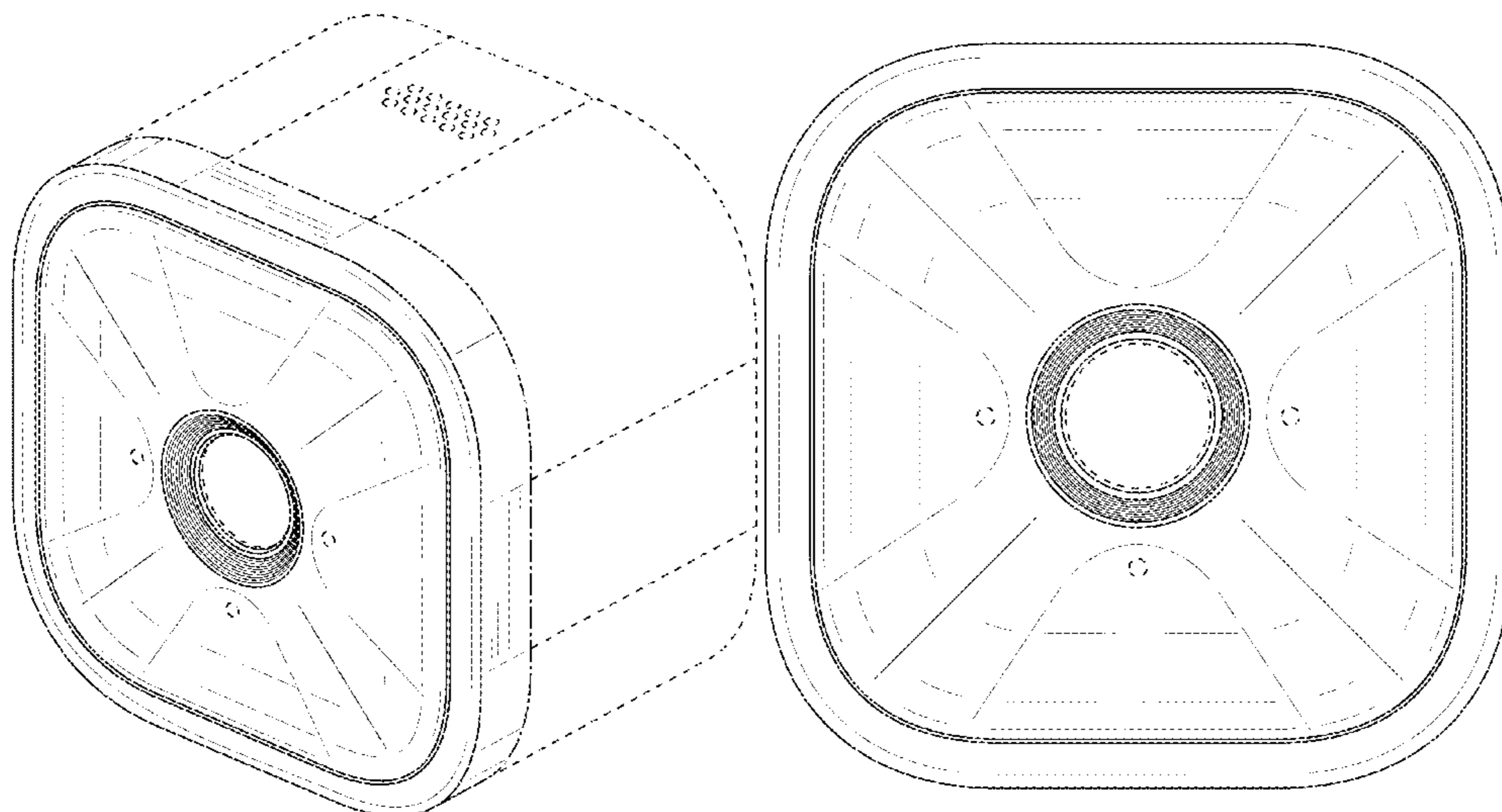
FIG. 6 is a right-side view thereof;

FIG. 7 is a top view thereof; and,

FIG. 8 is a bottom view thereof.

The dashed broken lines depict portions of the camera that form no part of the claimed design. Additionally, the dot-dash broken lines denote the boundary of the claim and form no part of the claimed design.

1 Claim, 8 Drawing Sheets



(56)

References Cited

U.S. PATENT DOCUMENTS

D750,687 S	3/2016	Samuels et al.	
D754,230 S	4/2016	Mori et al.	
D759,145 S	6/2016	Lee et al.	
D760,312 S	6/2016	Lee et al.	
D762,759 S	8/2016	Wu et al.	
D773,547 S	12/2016	Lee et al.	
D785,068 S	4/2017	Patsis et al.	
D788,835 S	6/2017	Wu et al.	
D826,206 S	8/2018	Elmieh et al.	
D829,260 S	9/2018	Fujita et al.	
D837,864 S	1/2019	Ge	
D849,110 S	5/2019	Khubani	
D858,603 S	9/2019	Ye	
D874,531 S	2/2020	Chen	
D893,575 S	8/2020	Kyte et al.	
D893,576 S	8/2020	Kyte et al.	
D895,568 S	9/2020	Ku et al.	
D905,780 S	12/2020	Zhu et al.	
D917,598 S *	4/2021	Ye	D16/203
D930,062 S *	9/2021	Abel	D16/202
D949,227 S *	4/2022	Tang	D16/218

* cited by examiner

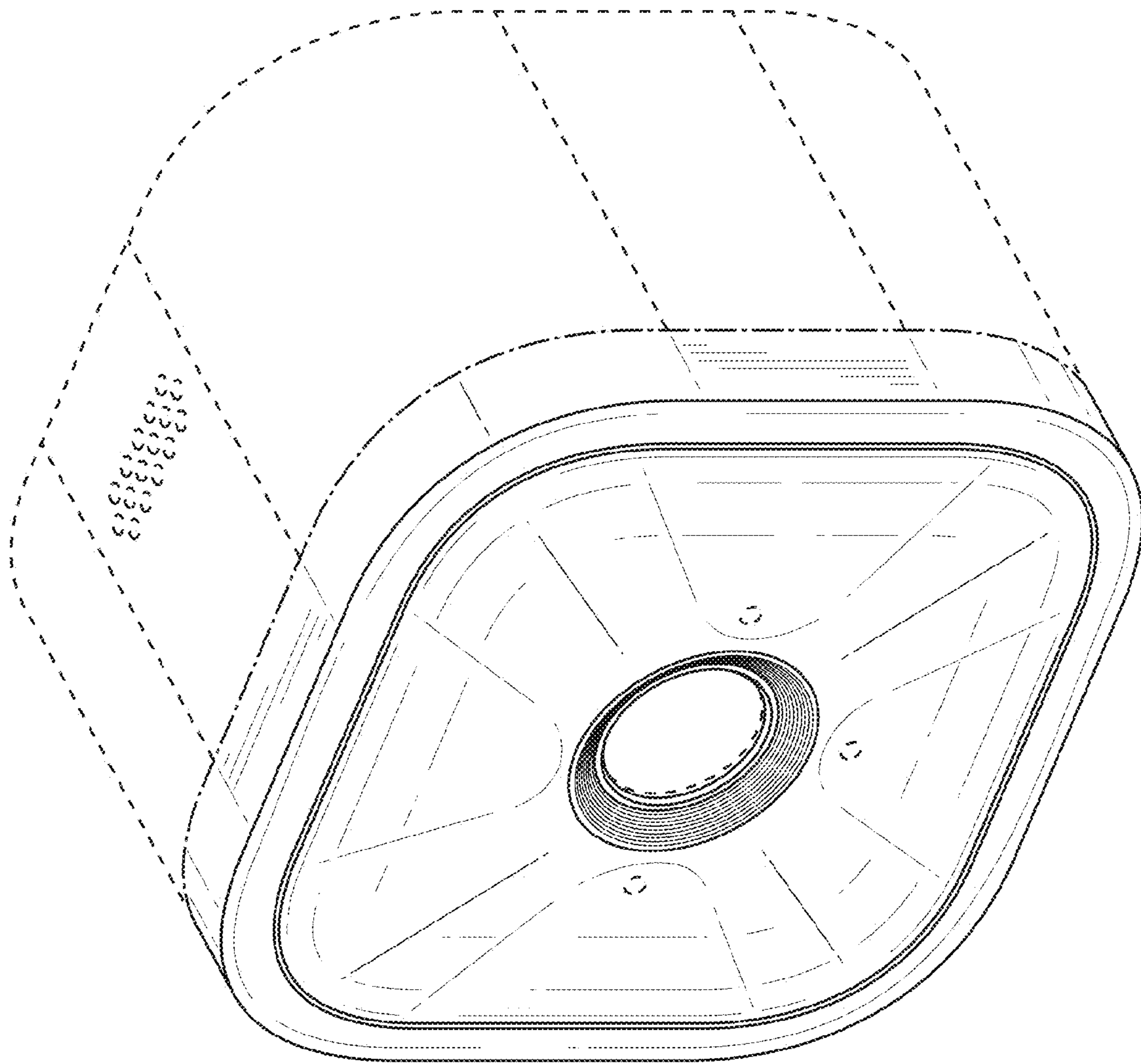


FIG. 1

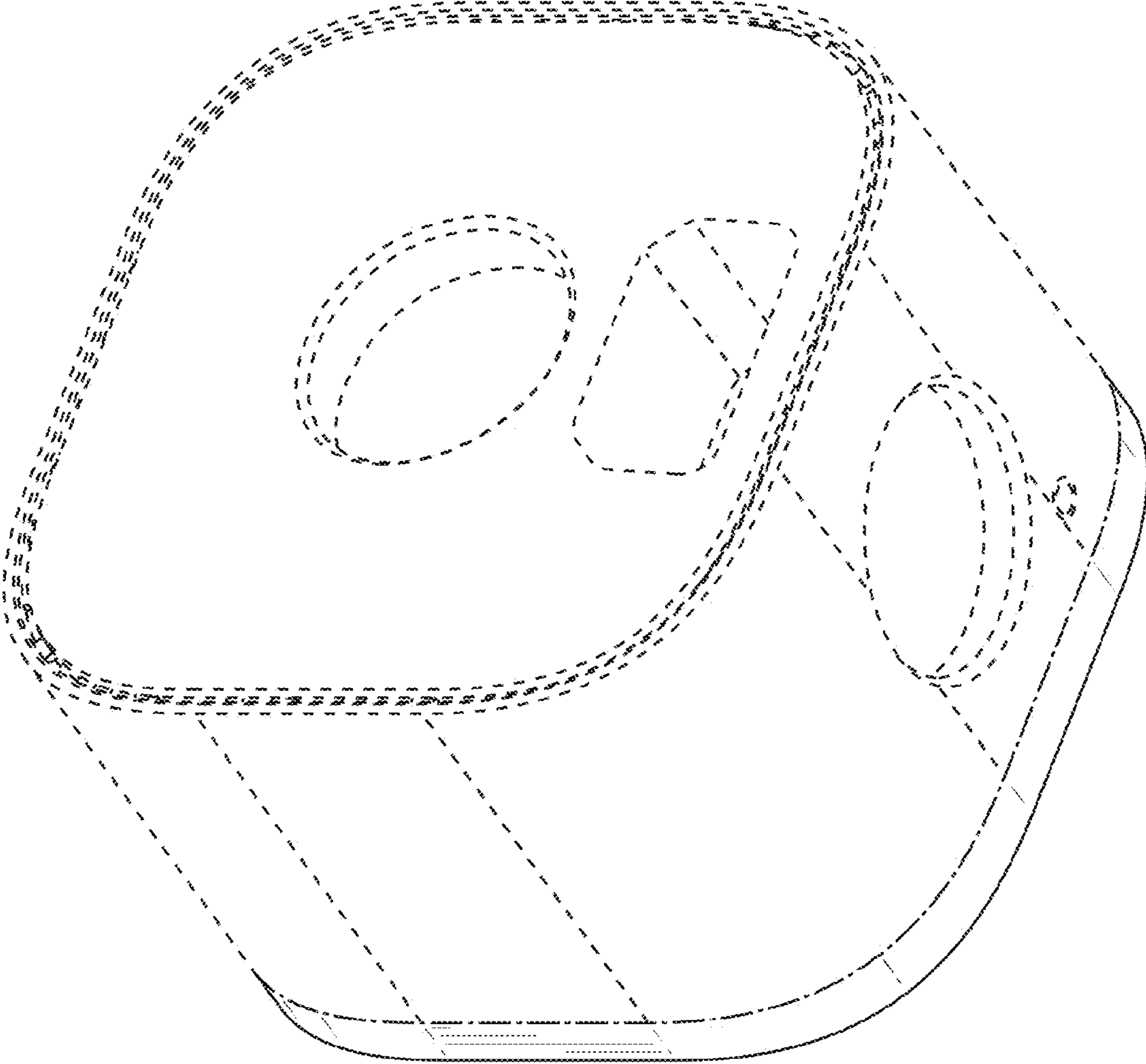


FIG. 2

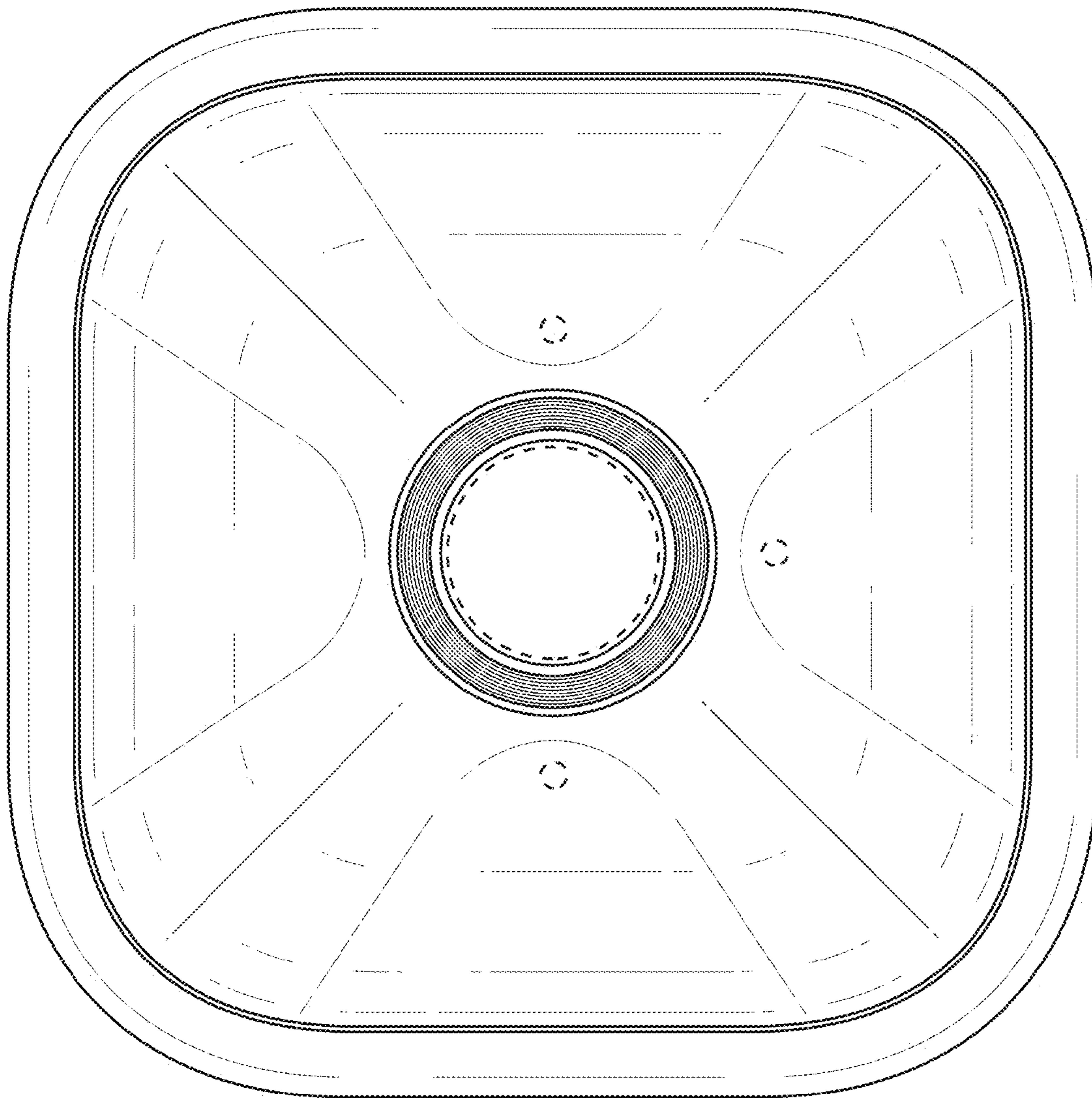


FIG. 3

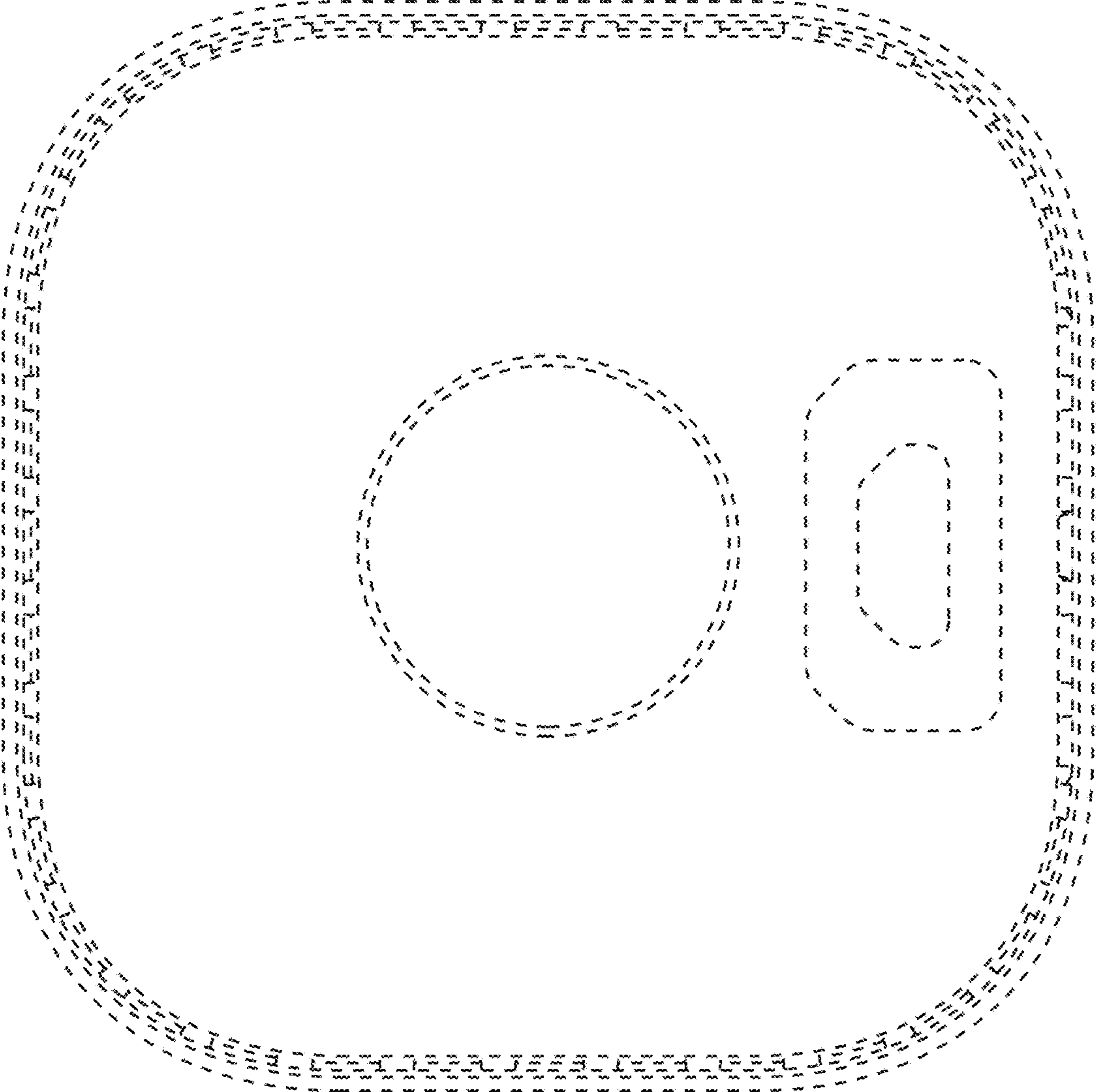


FIG. 4

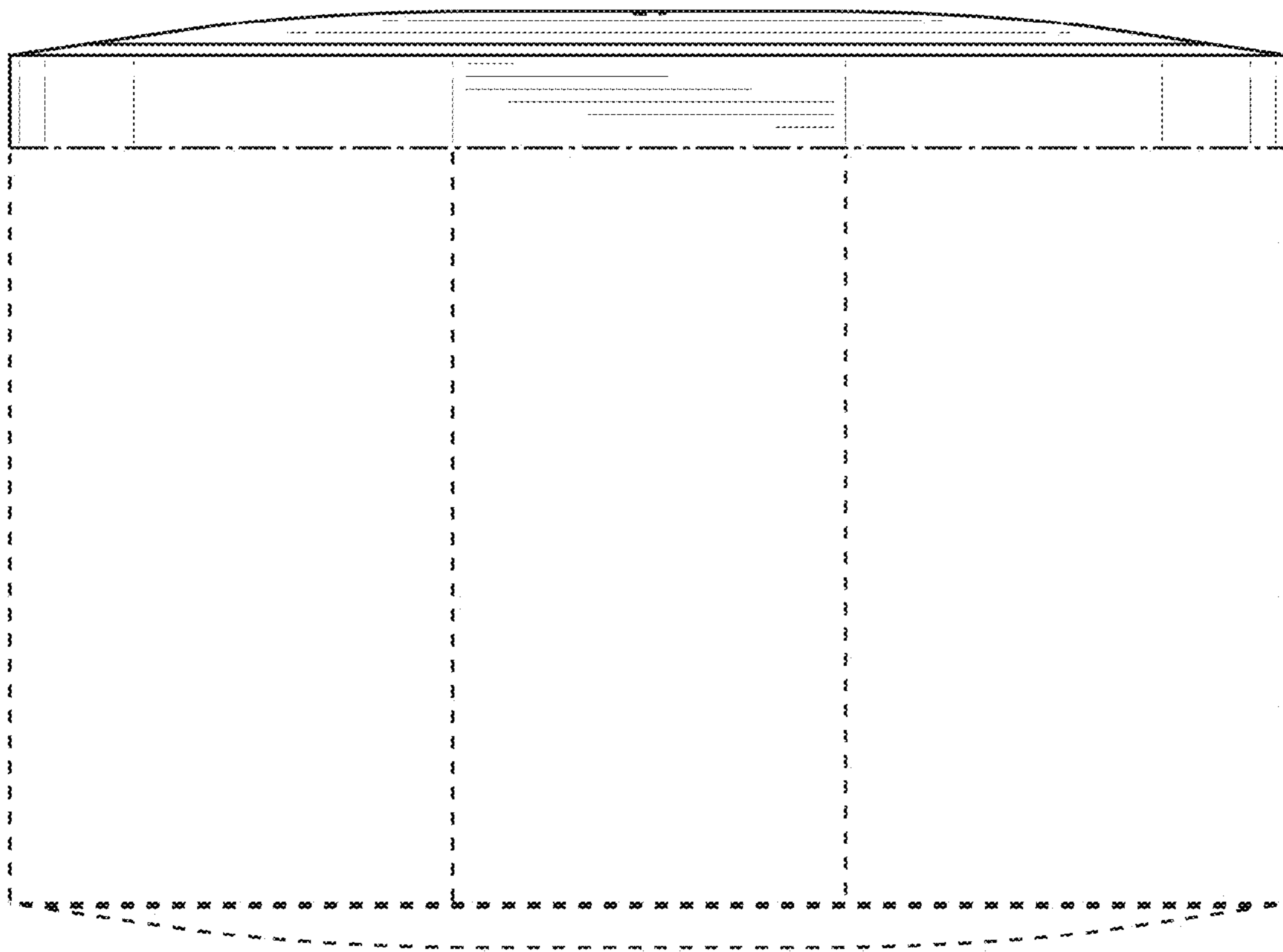


FIG. 5

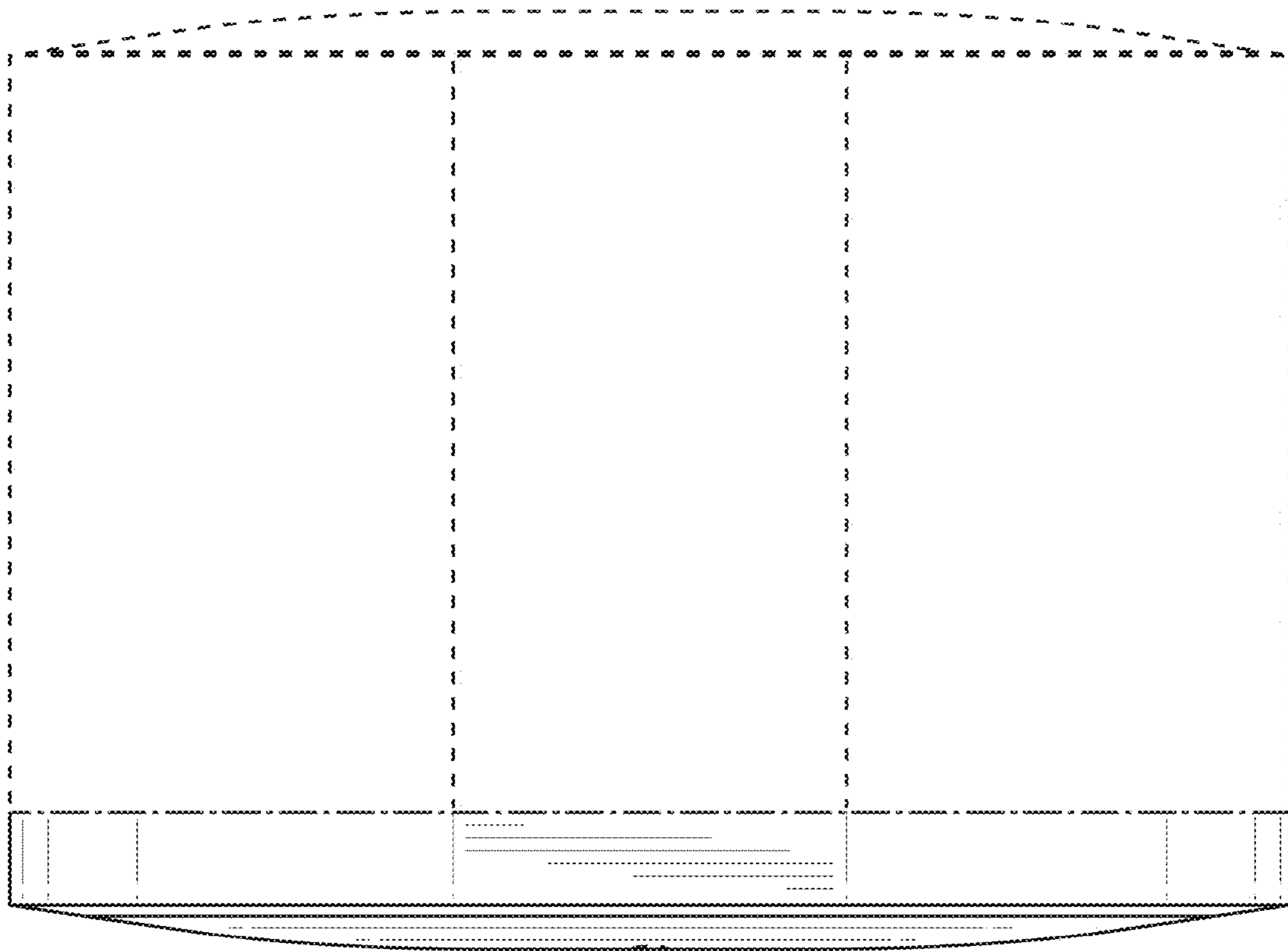


FIG. 6

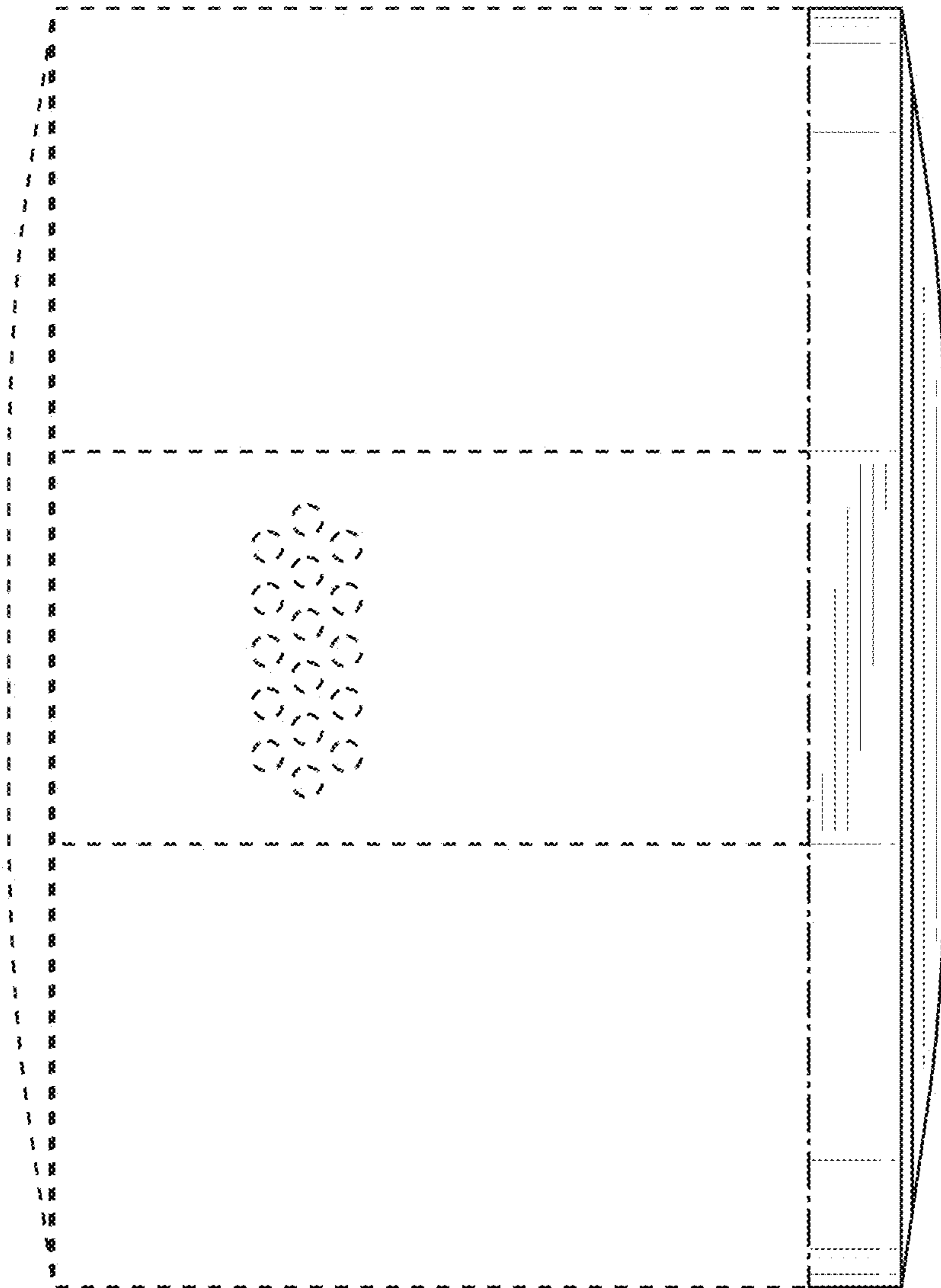


FIG. 7

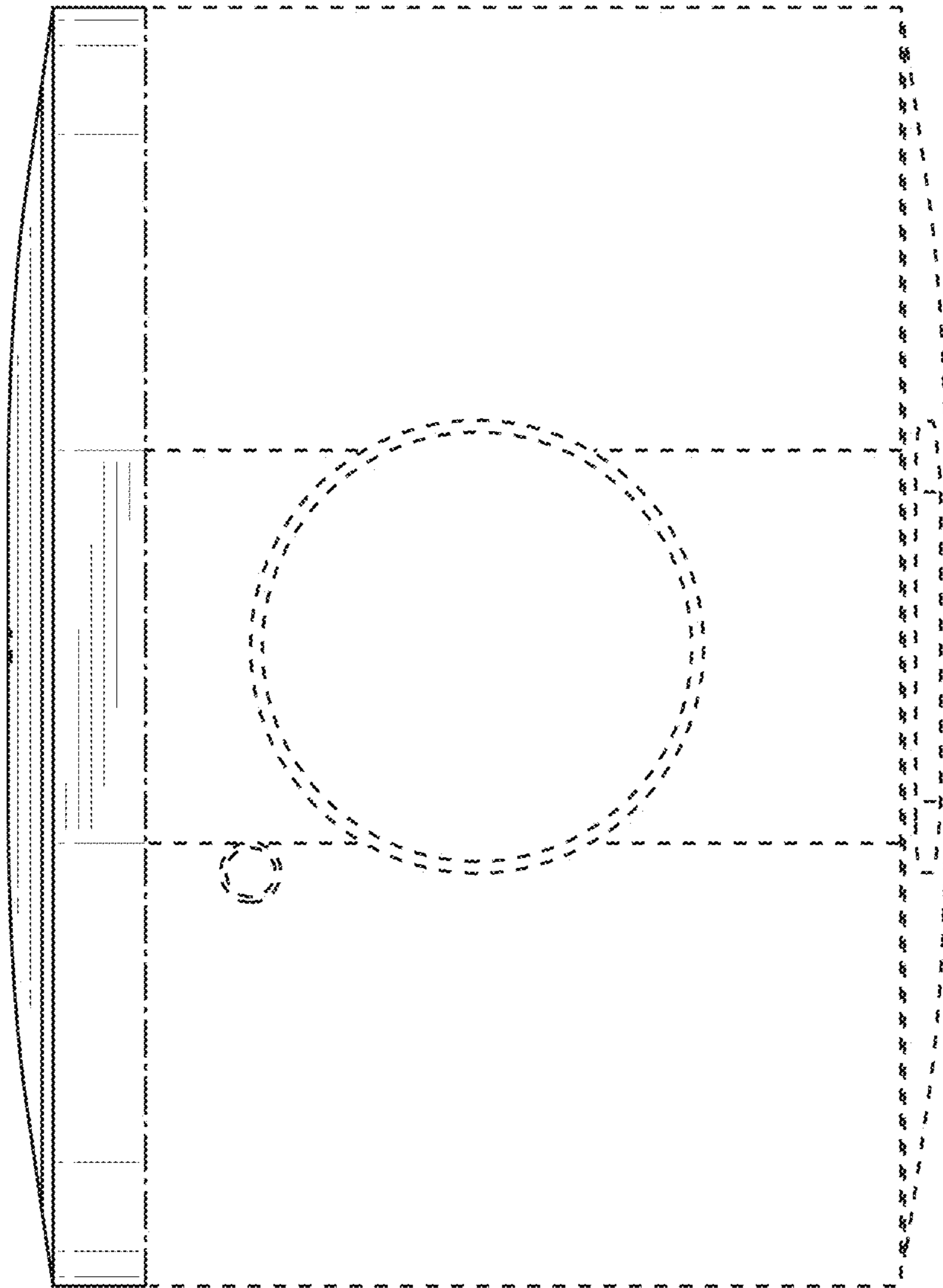


FIG. 8