

US00D967228S

(12) **United States Design Patent**
Huang

(10) **Patent No.:** **US D967,228 S**

(45) **Date of Patent:** **** Oct. 18, 2022**

(54) **DRIVING RECORDER**

(71) Applicant: **VIA TECHNOLOGIES, INC.**, New Taipei (TW)

(72) Inventor: **Chih-Wei Huang**, New Taipei (TW)

(73) Assignee: **VIA TECHNOLOGIES, INC.**, New Taipei (TW)

(**) Term: **15 Years**

(21) Appl. No.: **29/714,099**

(22) Filed: **Nov. 21, 2019**

(30) **Foreign Application Priority Data**

Sep. 16, 2019 (CN) 201930508129.7

(51) **LOC (13) Cl.** **16-01**

(52) **U.S. Cl.**
USPC **D16/208**; D16/202

(58) **Field of Classification Search**
USPC D16/200–204, 208, 218, 219;
D12/187–189, 400; 348/143, 148, 151,
348/360, 373–376; 396/419, 427–429,
396/433, 529, 535, 537–541; 340/932.2,
340/933, 937
CPC G03B 15/03; G03B 17/02; G03B 17/04;
G03B 17/48; G03B 17/56; G03B 19/04;
G08G 1/0175; H04N 5/2251; H04N
5/2252; H04N 5/2253; H04N 5/2254
See application file for complete search history.

(56) **References Cited**

U.S. PATENT DOCUMENTS

D410,663 S * 6/1999 Ogasawara D16/202
D463,809 S * 10/2002 Lo D16/202

D523,457 S * 6/2006 Tan D16/202
D628,221 S * 11/2010 Chen D16/202
D747,386 S * 1/2016 Li D16/208
D808,455 S * 1/2018 Lee D16/202
D822,747 S * 7/2018 Van Deusen D16/208
D822,748 S * 7/2018 Van Deusen D16/208
D848,508 S * 5/2019 Hsu D16/208
D849,098 S * 5/2019 Kapuria D16/208
D884,053 S * 5/2020 Lee D16/208
D904,486 S * 12/2020 Xiong D16/208

* cited by examiner

Primary Examiner — Ramzi Almatrahi

(74) *Attorney, Agent, or Firm* — McClure, Qualey & Rodack, LLP

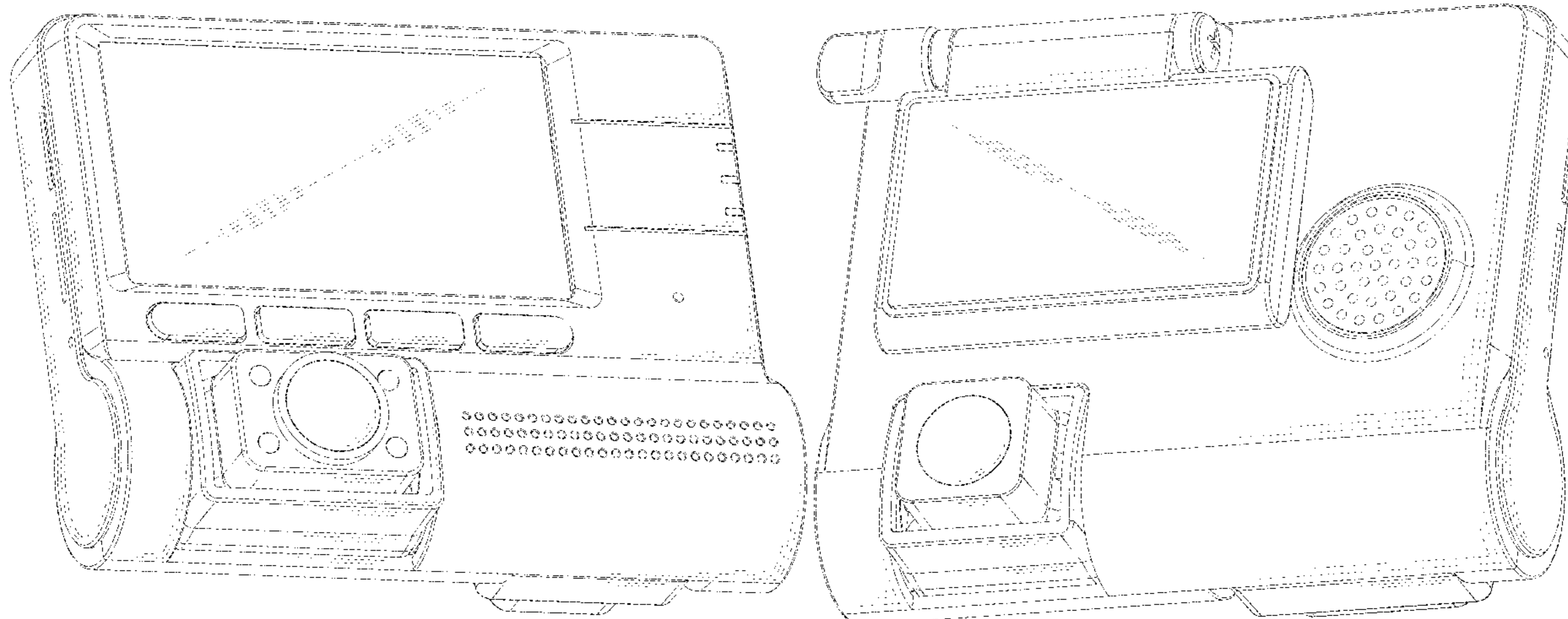
(57) **CLAIM**

The ornamental design for a driving recorder, as shown and described.

DESCRIPTION

FIG. 1 is a front, left and bottom perspective view of a driving recorder, showing my new design;
FIG. 2 is a front view thereof;
FIG. 3 is a rear view thereof;
FIG. 4 is a left side view thereof;
FIG. 5 is a right side view thereof;
FIG. 6 is a top plan view thereof;
FIG. 7 is a bottom plan view thereof; and,
FIG. 8 is a rear, left and bottom perspective view thereof.
The broken lines depict portions of the driving recorder in which the design is embodied that form no part of the claimed design.

1 Claim, 8 Drawing Sheets



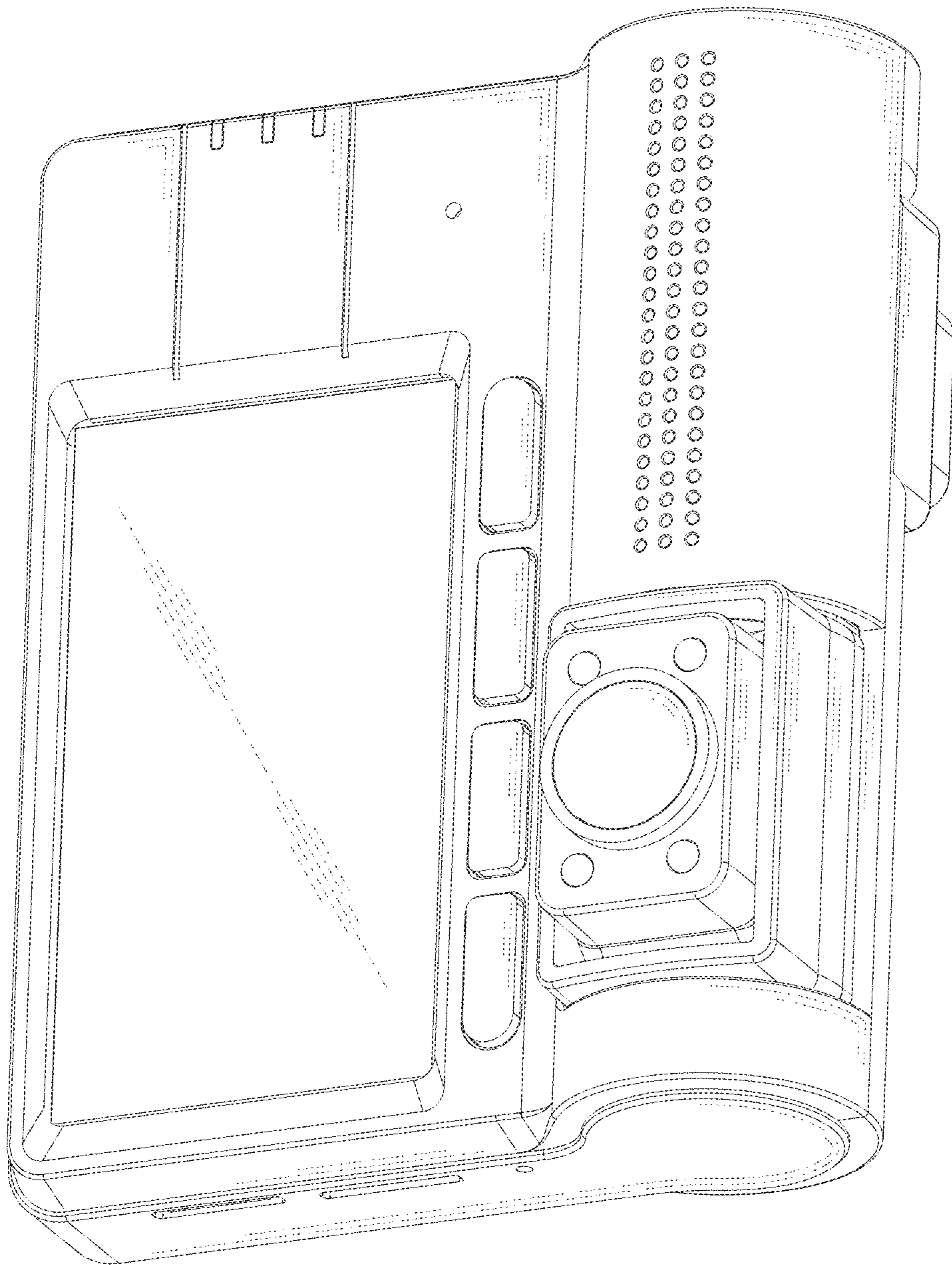
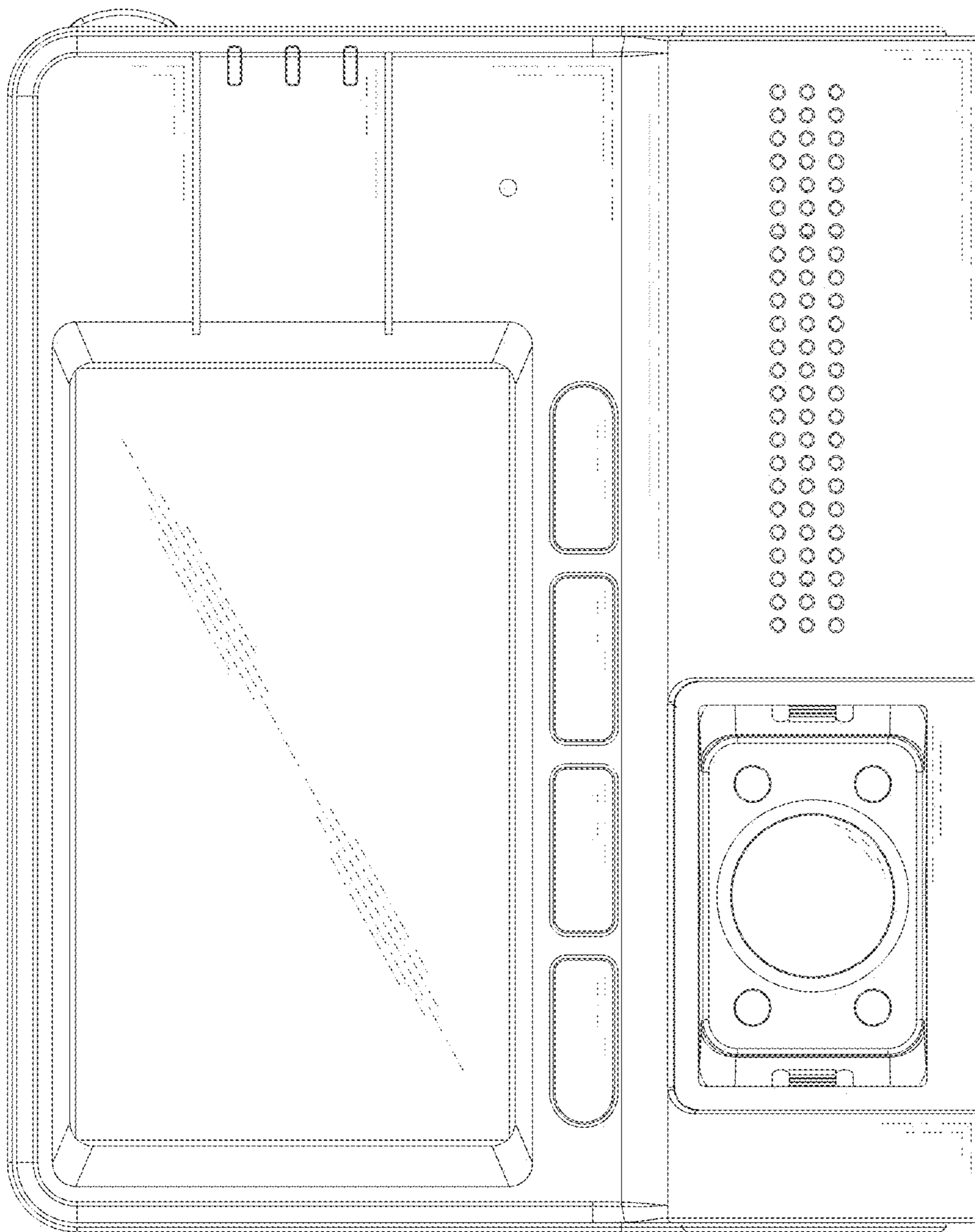


FIG. 1

FIG. 2



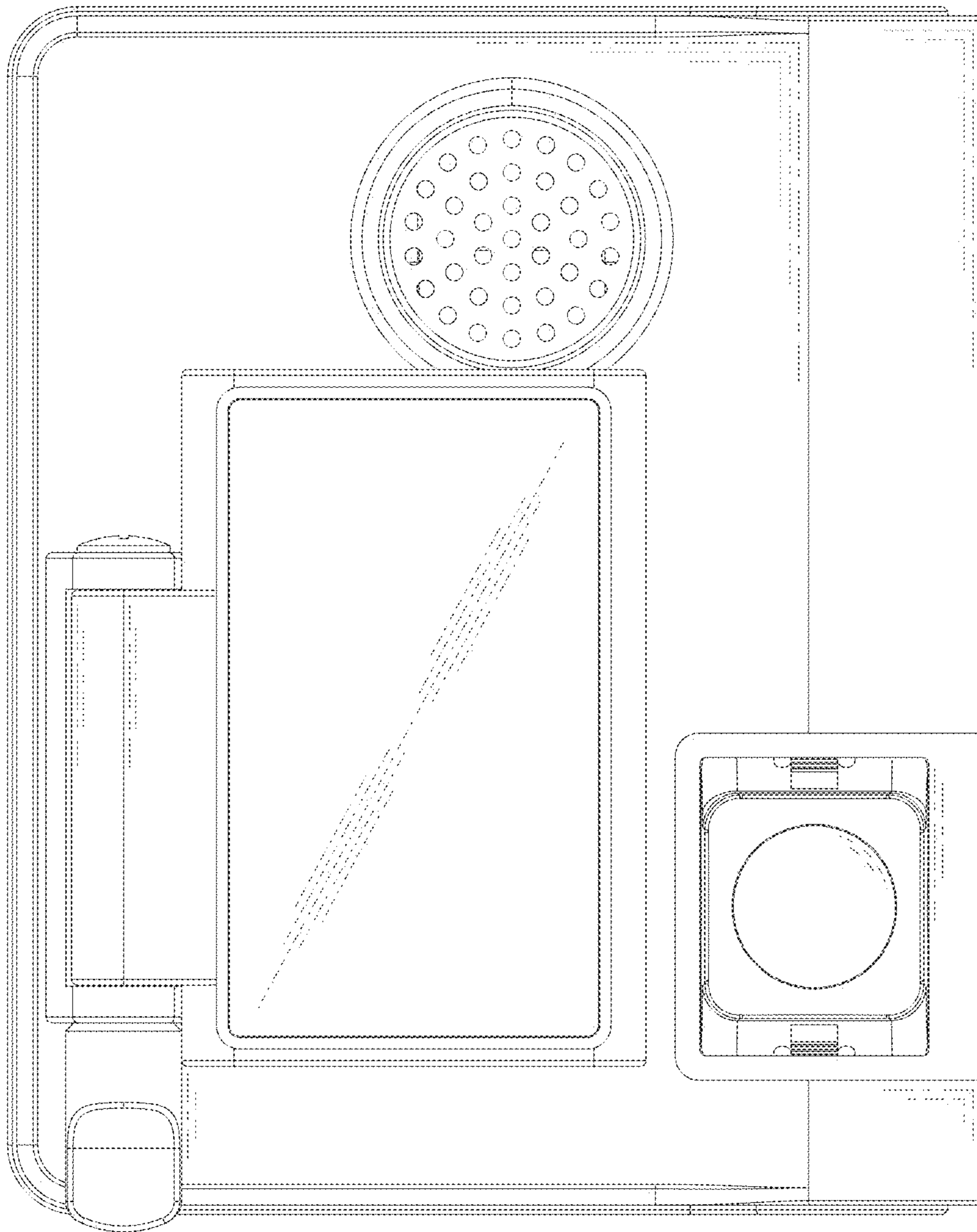


FIG. 3

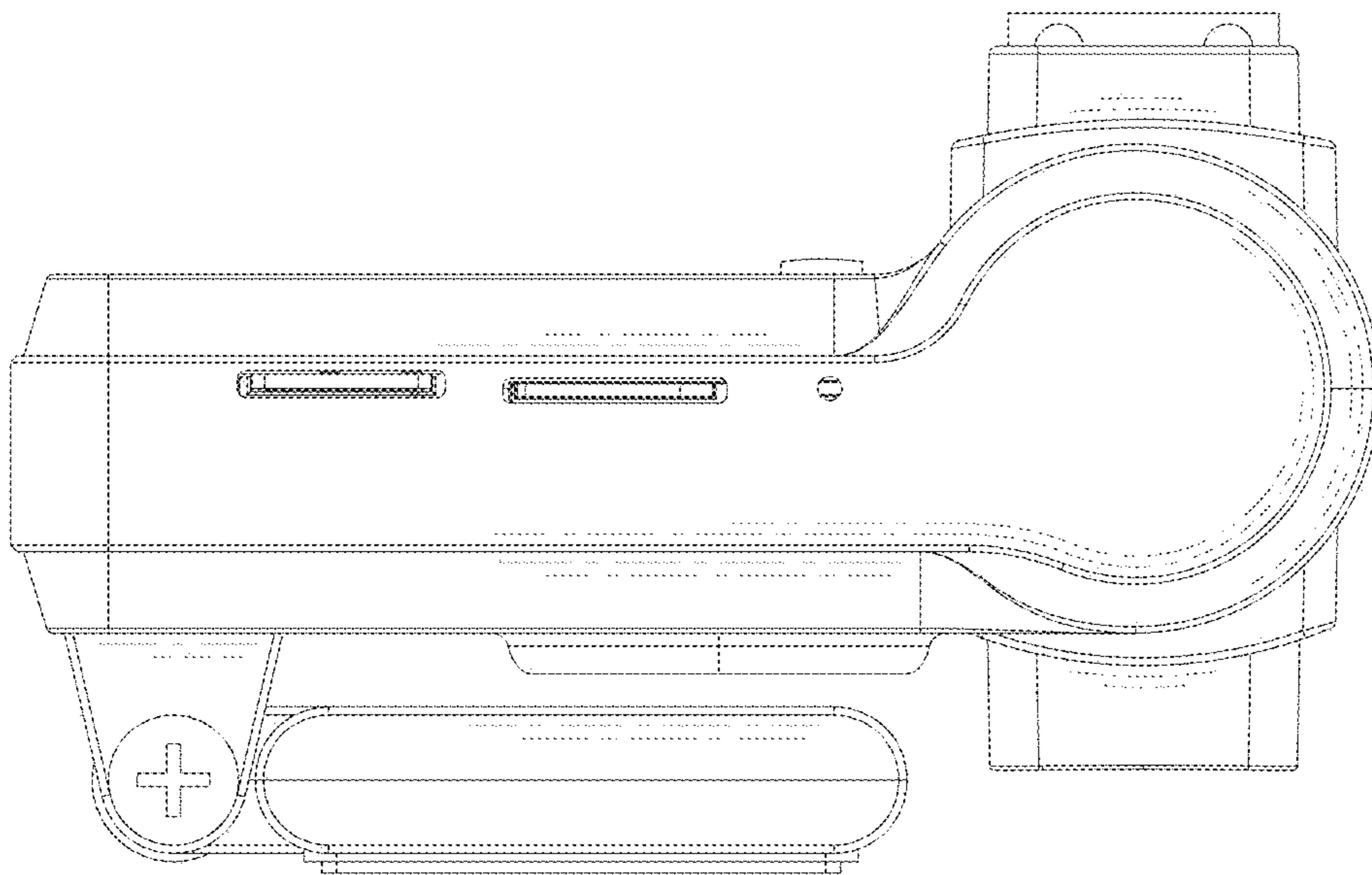


FIG. 4

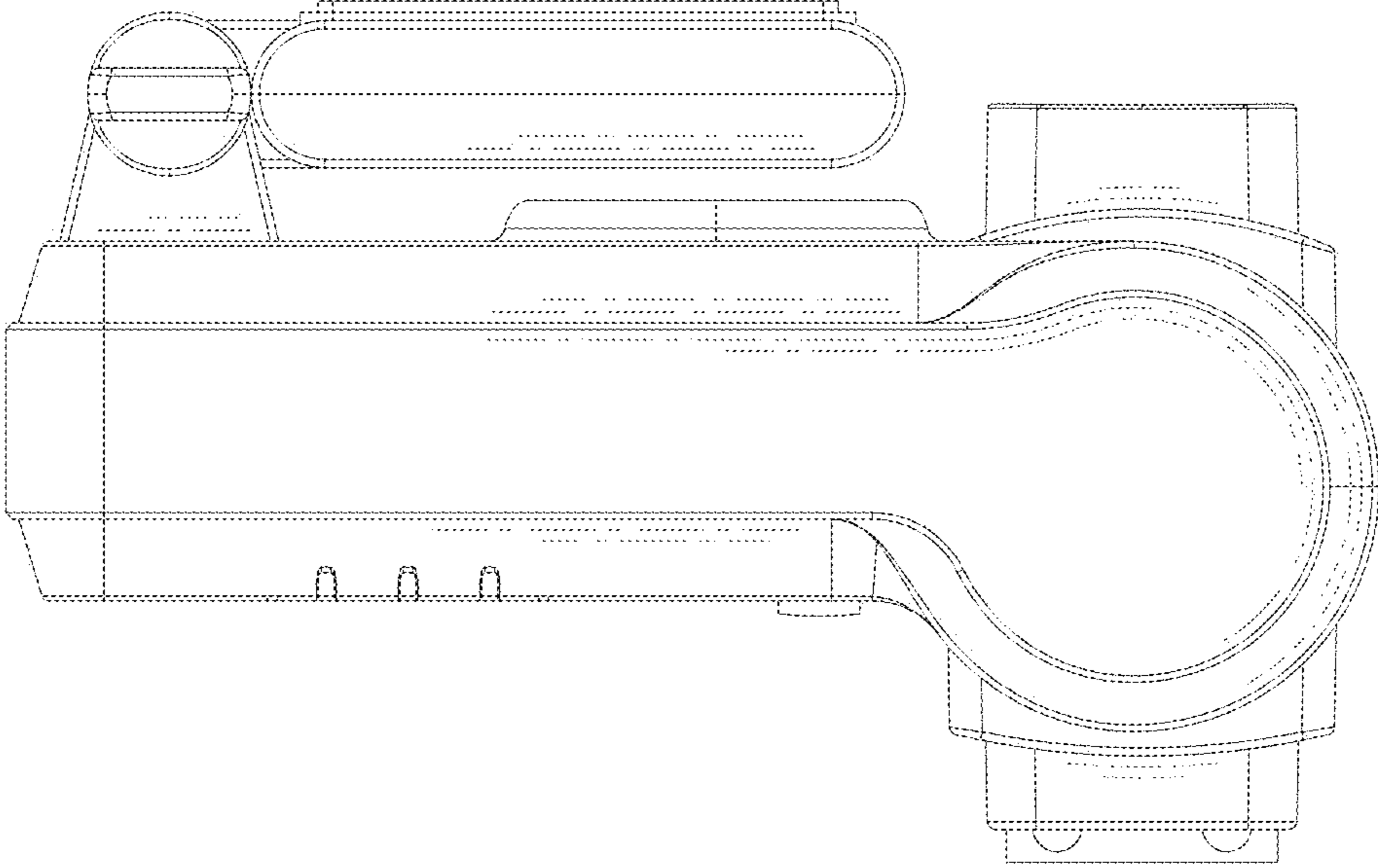


FIG. 5

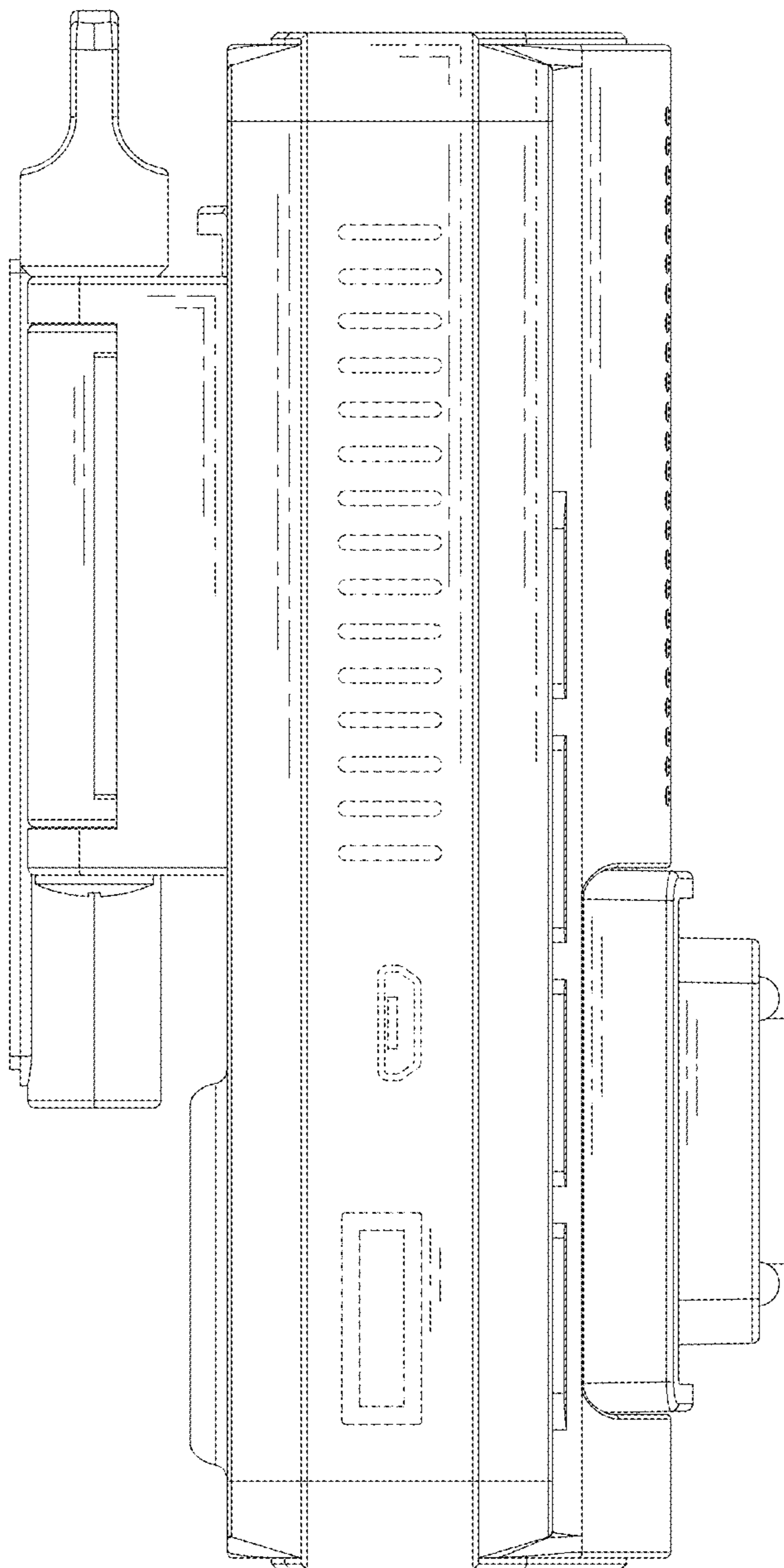


FIG. 6

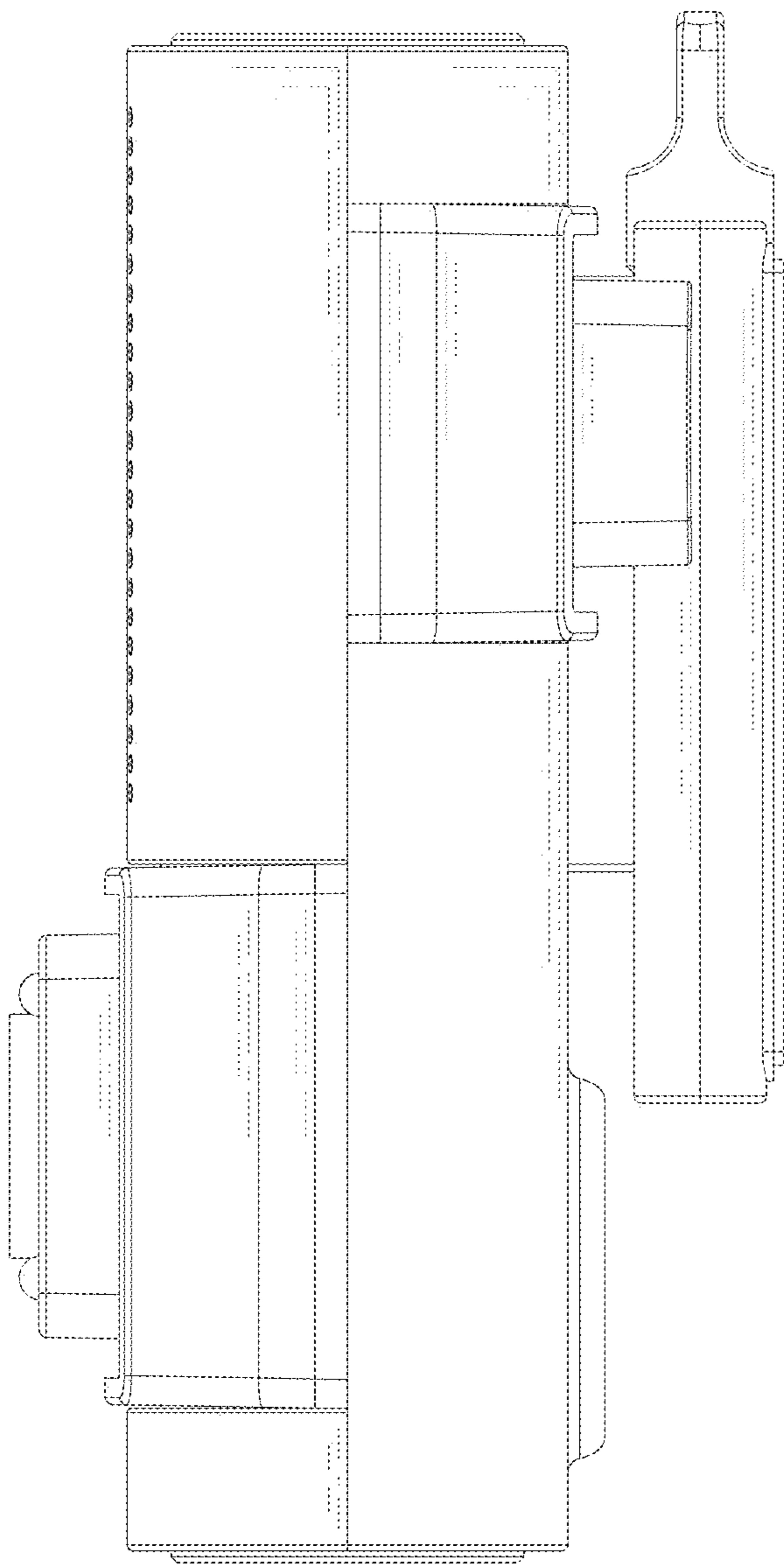


FIG. 7

FIG. 8

