

US00D967227S

(12) **United States Design Patent**  
**Sun et al.**

(10) **Patent No.:** **US D967,227 S**  
(45) **Date of Patent:** **\*\* Oct. 18, 2022**

(54) **SMART CAMERA**

**DESCRIPTION**

(71) Applicant: **TianJin HuaLai Technology Co., Ltd.**,  
Tianjin (CN)

(72) Inventors: **Zhaohui Sun**, Tianjin (CN); **Lingyun Xin**,  
Tianjin (CN)

(73) Assignee: **Tianjin HuaLai Technology Co., Ltd.**,  
Tianjin (CN)

(\*\*) Term: **15 Years**

(21) Appl. No.: **29/751,265**

(22) Filed: **Sep. 19, 2020**

(30) **Foreign Application Priority Data**

Sep. 4, 2020 (CN) ..... 202030520848.3

(51) **LOC (13) Cl.** ..... **16-01**

(52) **U.S. Cl.**  
USPC ..... **D16/203; D16/202**

(58) **Field of Classification Search**  
USPC ..... D14/172, 194, 204, 221; D16/200–205,  
D16/208, 217–219; 348/148, 373–376;  
396/529, 535–541

(Continued)

(56) **References Cited**

**U.S. PATENT DOCUMENTS**

D616,480 S \* 5/2010 Ookawa ..... D16/218  
D727,387 S \* 4/2015 Hasegawa ..... D16/203

(Continued)

*Primary Examiner* — Ramzi Almatrahi

(74) *Attorney, Agent, or Firm* — True Shepherd LLC;  
Andrew C. Cheng

(57) **CLAIM**

The ornamental design for a smart camera, as shown and described.

FIG. 1 is a front view of a smart camera showing our new design, with the camera support omitted for ease of illustration;

FIG. 2 is a rear view thereof;

FIG. 3 is a left side view thereof;

FIG. 4 is a right side view thereof;

FIG. 5 is a top plan view thereof;

FIG. 6 is a bottom plan view thereof;

FIG. 7 is a top, front and right side perspective view thereof;

FIG. 8 is a bottom, rear and left side perspective view thereof;

FIG. 9 is a front view of the camera support, shown with the camera omitted for ease of illustration;

FIG. 10 is a rear view thereof;

FIG. 11 is a left side view thereof;

FIG. 12 is a right side view thereof;

FIG. 13 is a top plan view thereof;

FIG. 14 is a bottom plan view thereof;

FIG. 15 is a top, front and right side perspective view thereof;

FIG. 16 is a bottom, rear and left side perspective view thereof;

FIG. 17 is a front view of the camera support, shown with the camera and the camera support attached and fully extended;

FIG. 18 is a rear view thereof;

FIG. 19 is a left side view thereof;

FIG. 20 is a right side view thereof;

FIG. 21 is a top plan view thereof;

FIG. 22 is a bottom plan view thereof;

FIG. 23 is a top, front and right side perspective view thereof;

FIG. 24 is a bottom, rear and left side perspective view thereof;

FIG. 25 is a top, front and right side perspective view thereof, shown fully retracted;

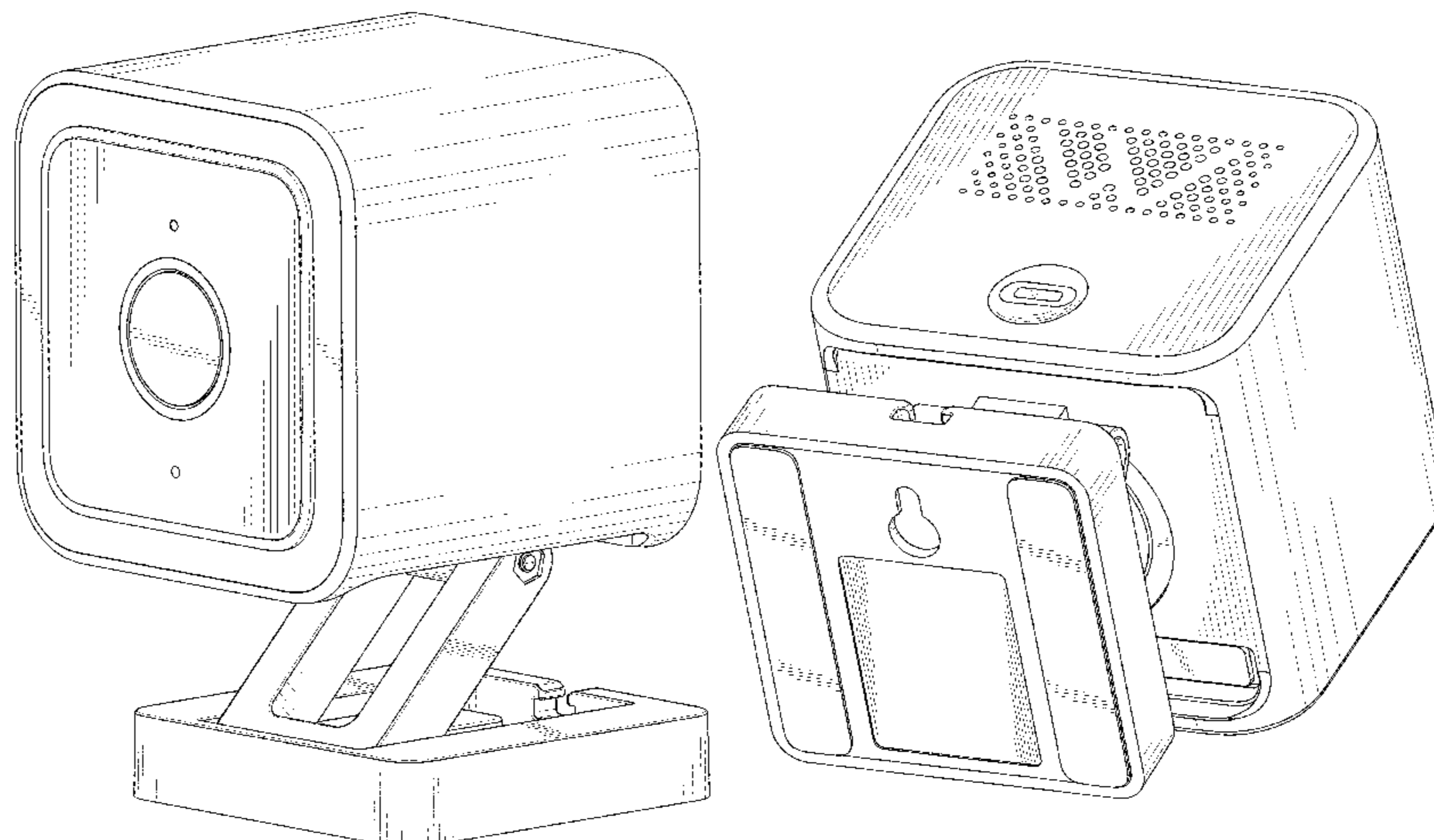
FIG. 26 is a top, front and left side perspective view thereof, shown fully extended;

FIG. 27 is a top, rear and left side perspective view thereof, shown in a first alternate position;

FIG. 28 is a top, rear and left side perspective view thereof, shown in a second alternate position; and,

FIG. 29 is a top and right side perspective view thereof, shown in a third alternate position.

**1 Claim, 29 Drawing Sheets**



(58) **Field of Classification Search**

CPC ..... G03B 15/03; G03B 17/02; G03B 17/04;  
G03B 17/56; G03B 19/04; H04N 5/2251;  
H04N 5/2252; H04N 5/2253; H04N  
5/2254; H04N 2101/00

See application file for complete search history.

(56) **References Cited**

U.S. PATENT DOCUMENTS

D727,991	S	*	4/2015	Hasegawa	.....	D16/203
D730,423	S	*	5/2015	Vandenbussche	.....	D16/218
D745,589	S	*	12/2015	Lee	.....	D16/218
9,282,226	B2	*	3/2016	Samuels	.....	G03B 17/08
D754,230	S	*	4/2016	Mori	.....	D16/218
D773,547	S	*	12/2016	Lee	.....	D16/218
D785,068	S	*	4/2017	Patsis	.....	D16/218
D849,110	S	*	5/2019	Khubani	.....	D16/218
D858,603	S	*	9/2019	Ye	.....	D16/203
D905,780	S	*	12/2020	Zhu	.....	D16/202
D917,598	S	*	4/2021	Ye	.....	D16/203

\* cited by examiner

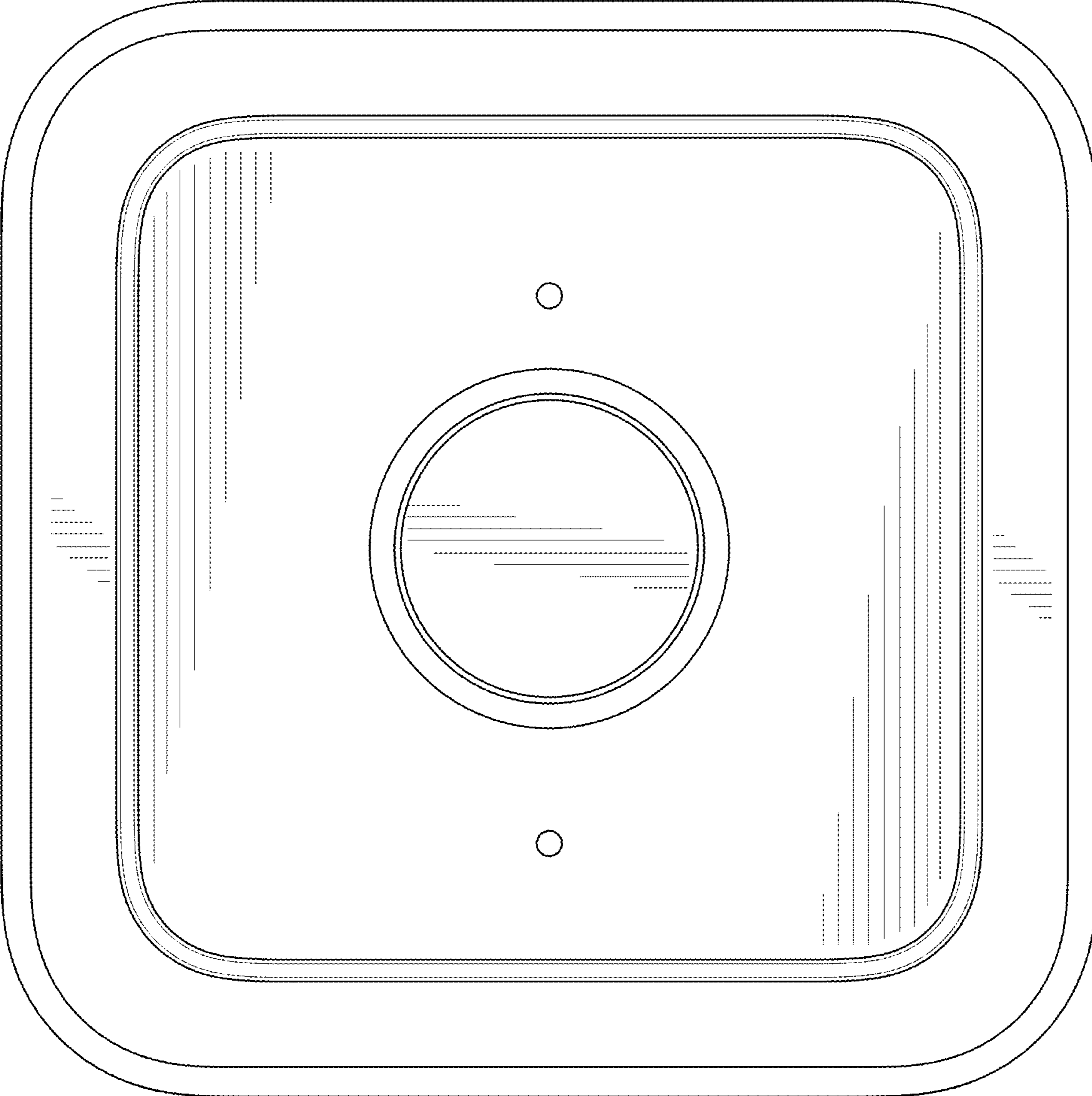


FIG. 1

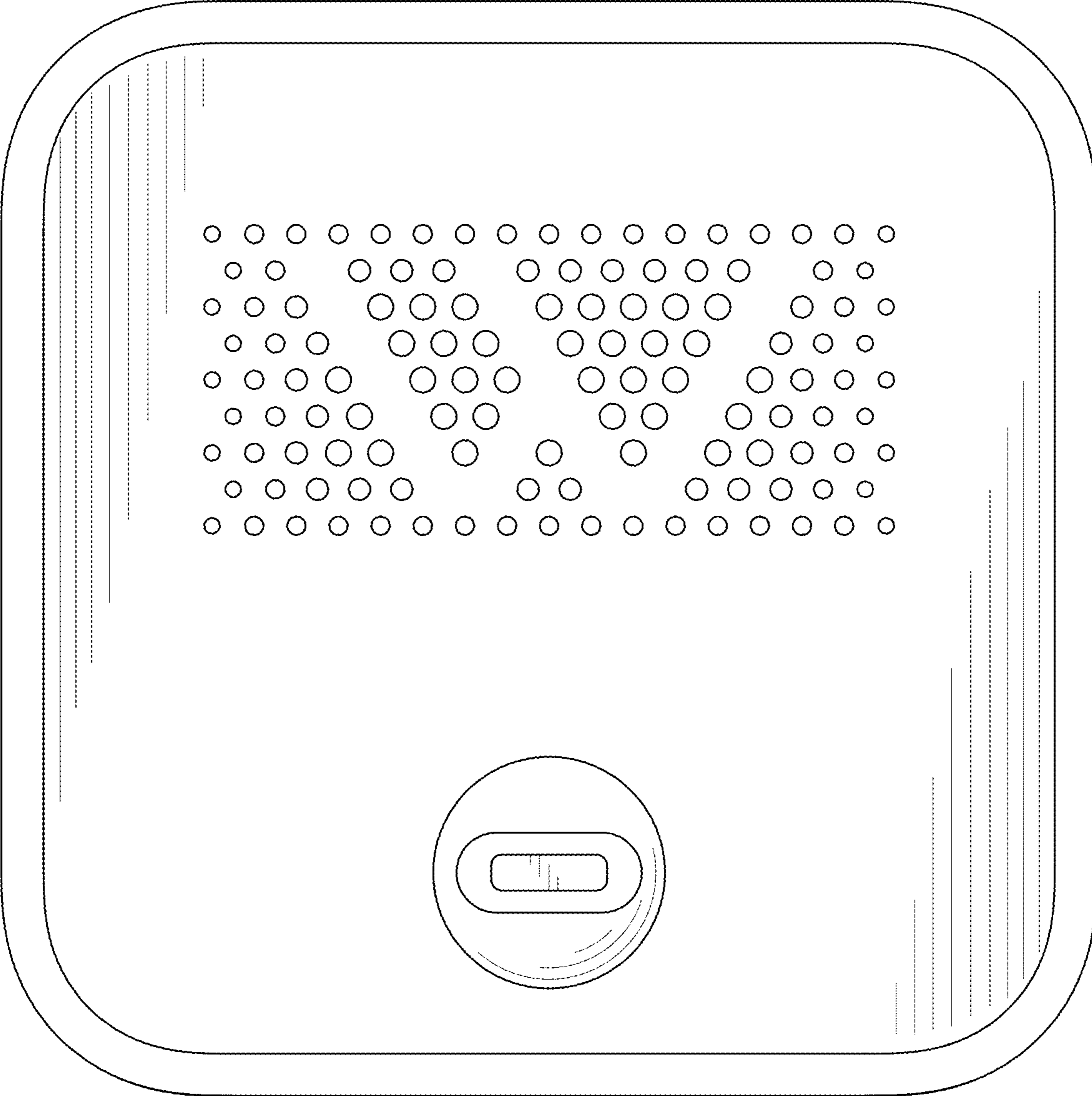


FIG. 2

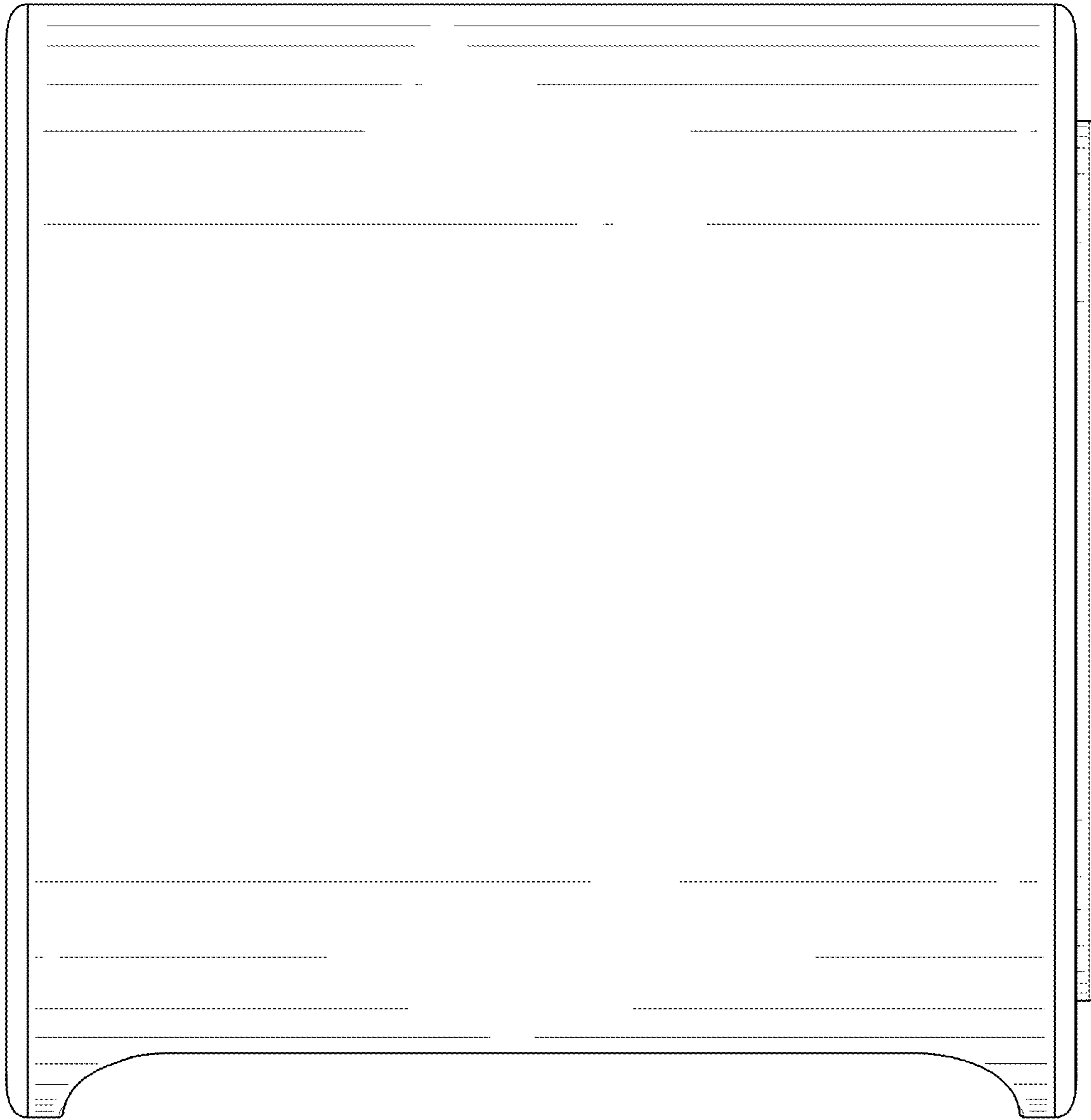


FIG. 3

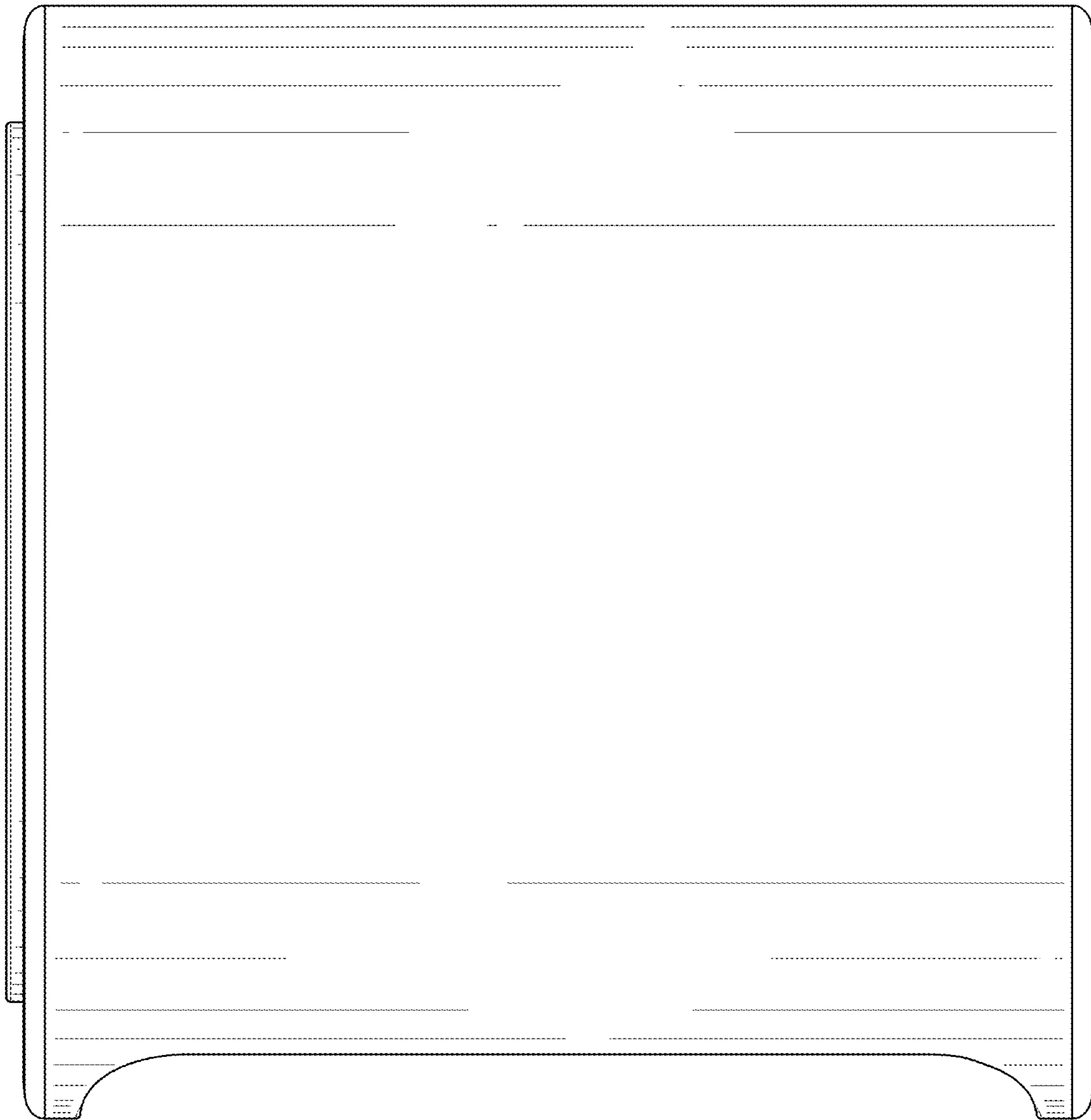


FIG. 4

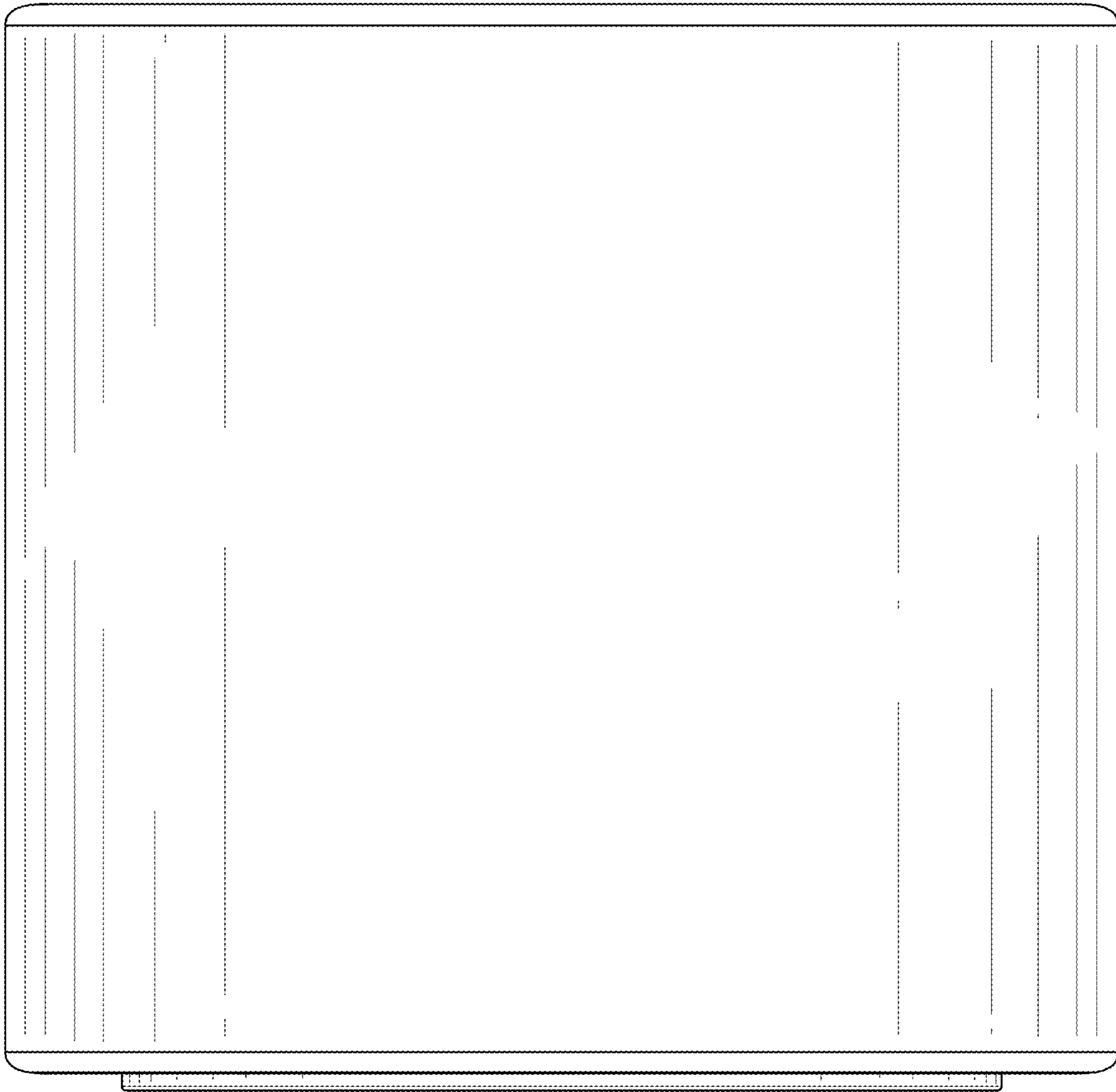


FIG. 5

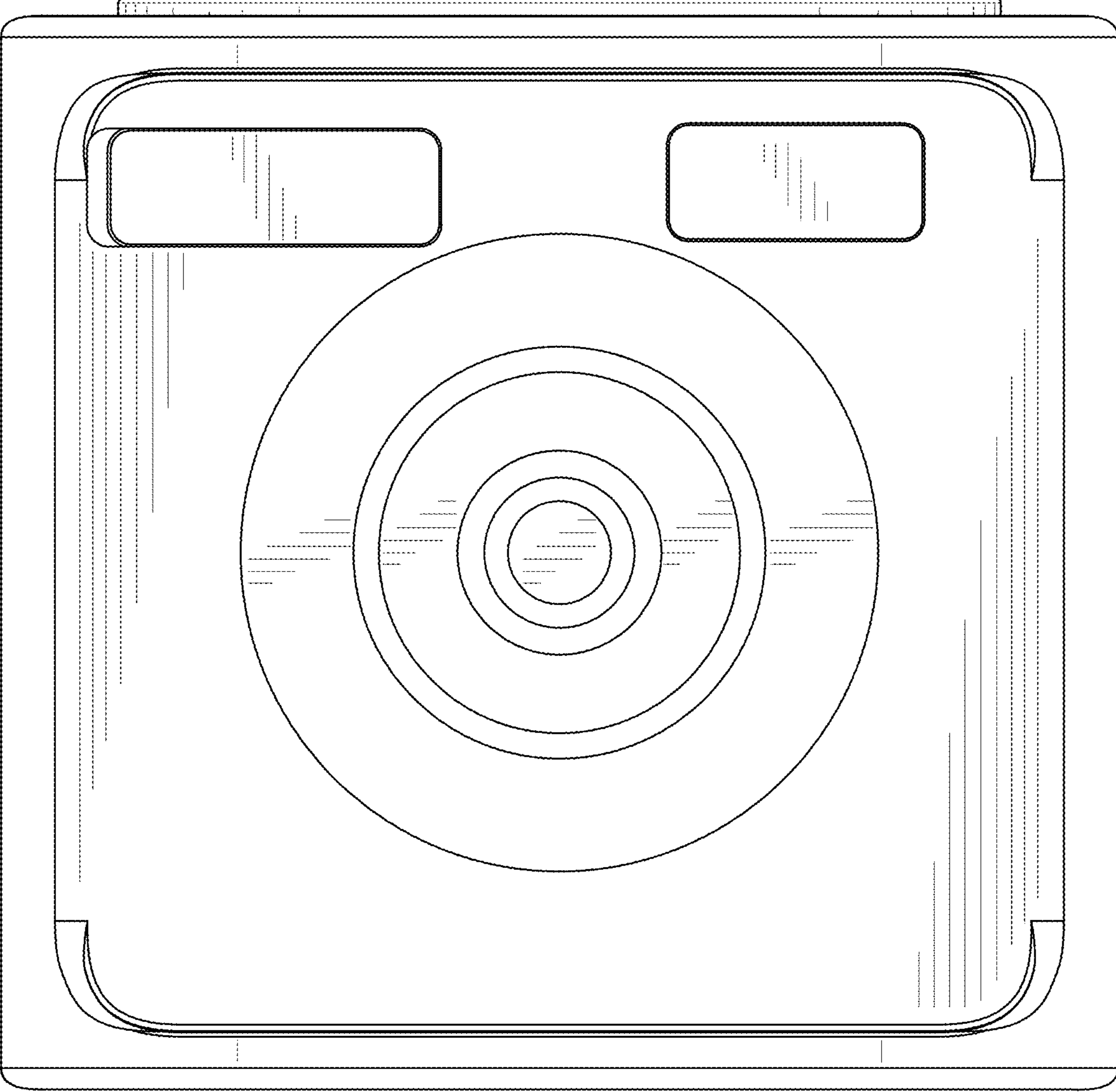


FIG. 6



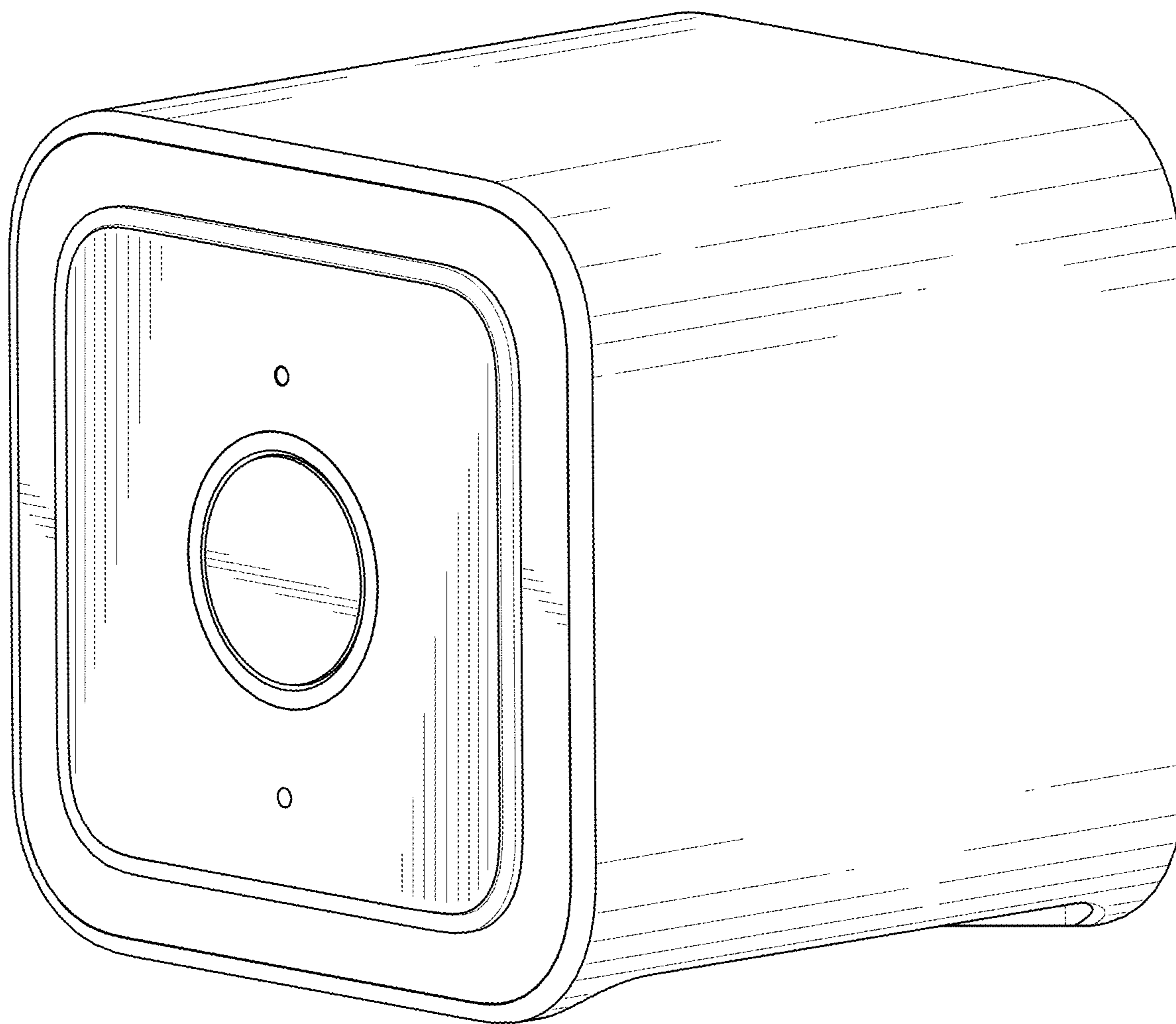


FIG. 7

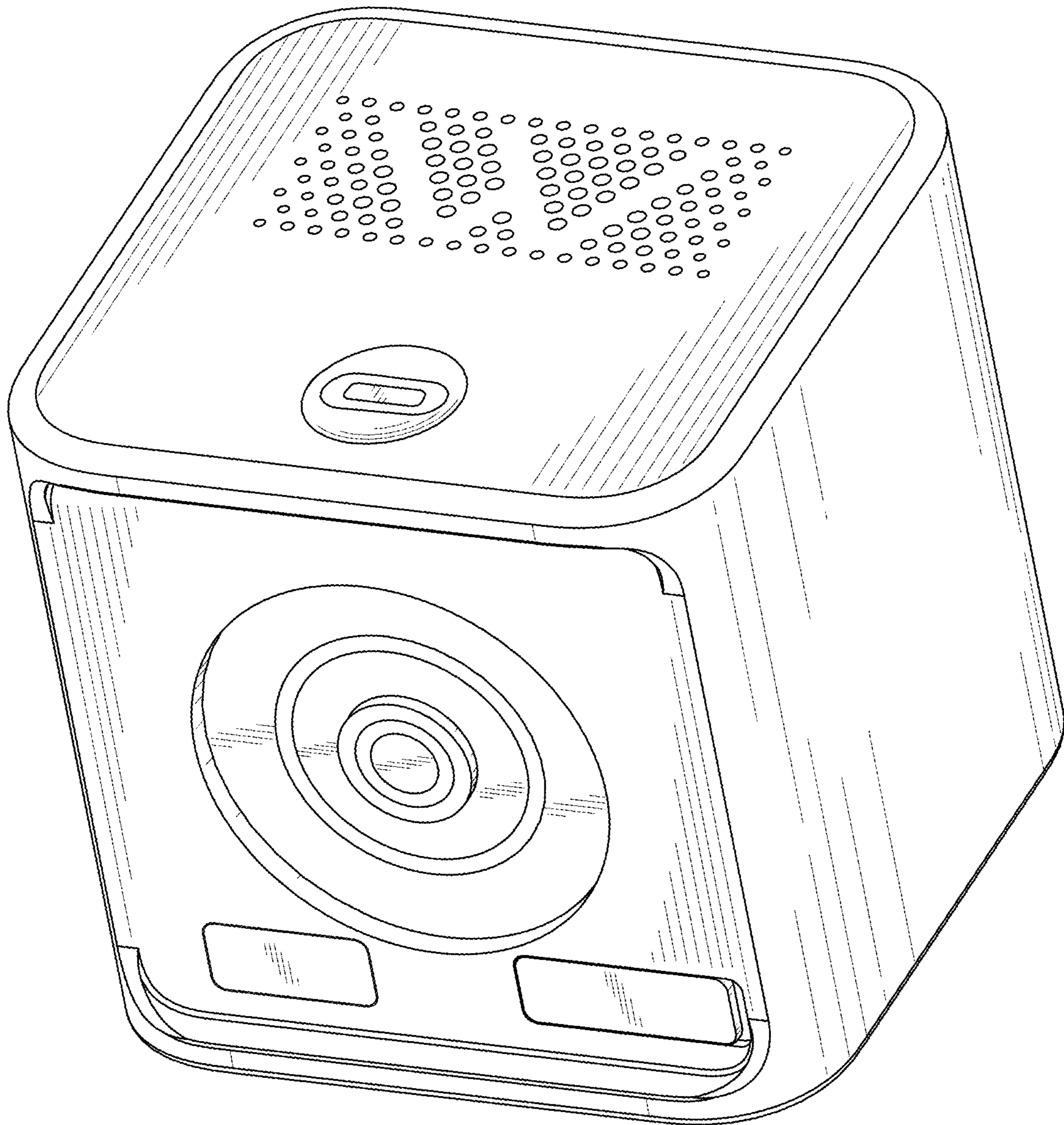


FIG. 8

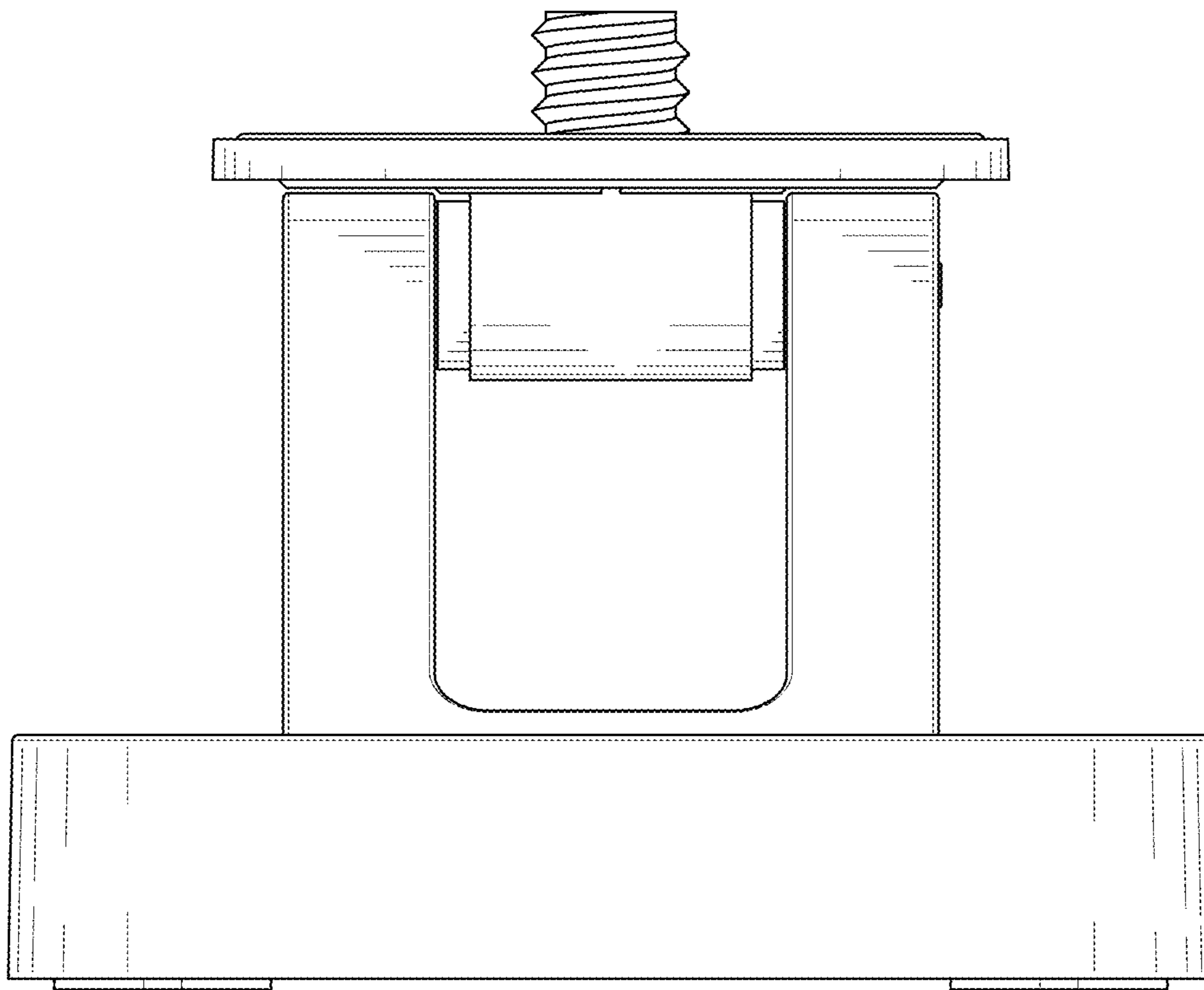


FIG. 9

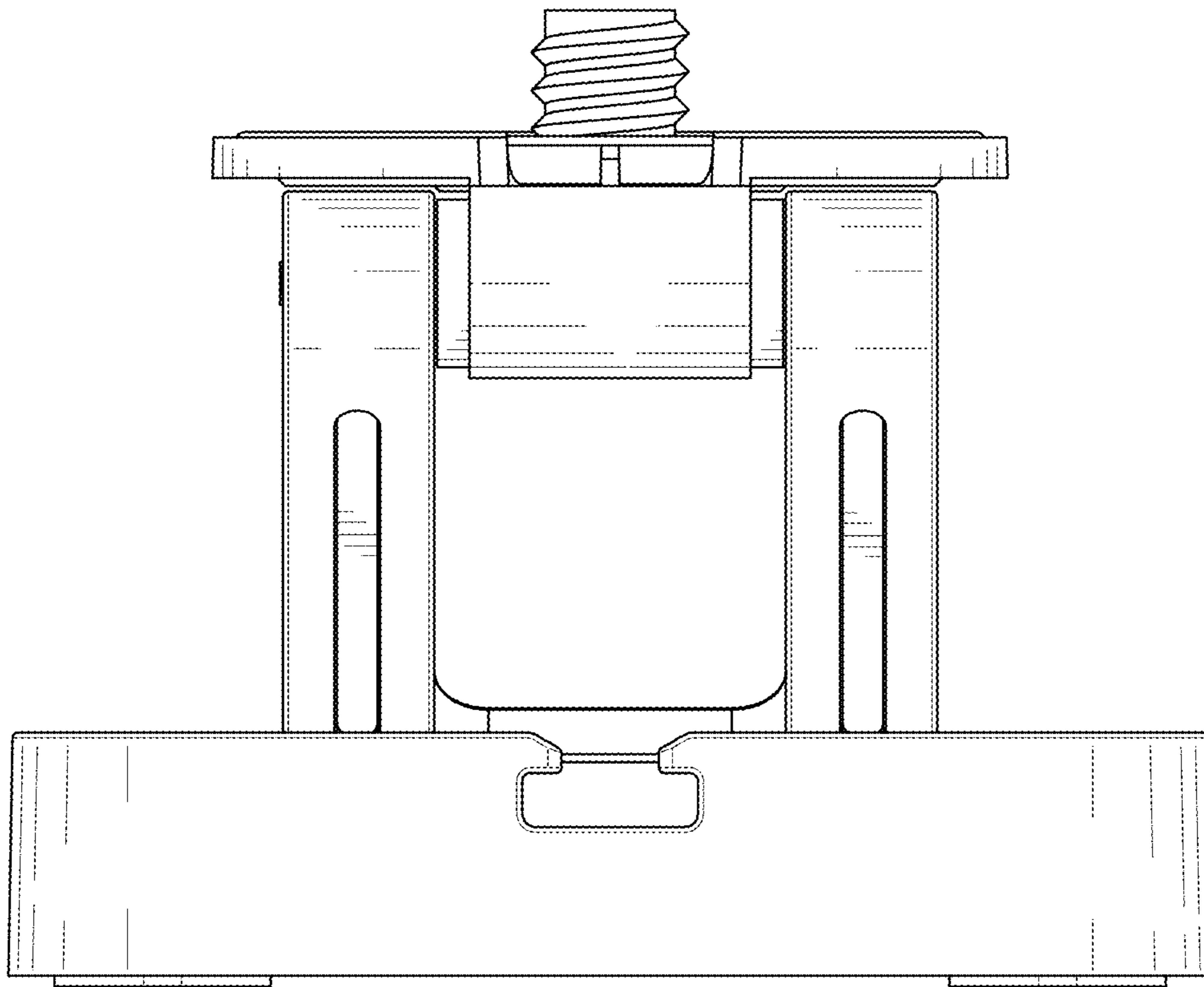


FIG. 10

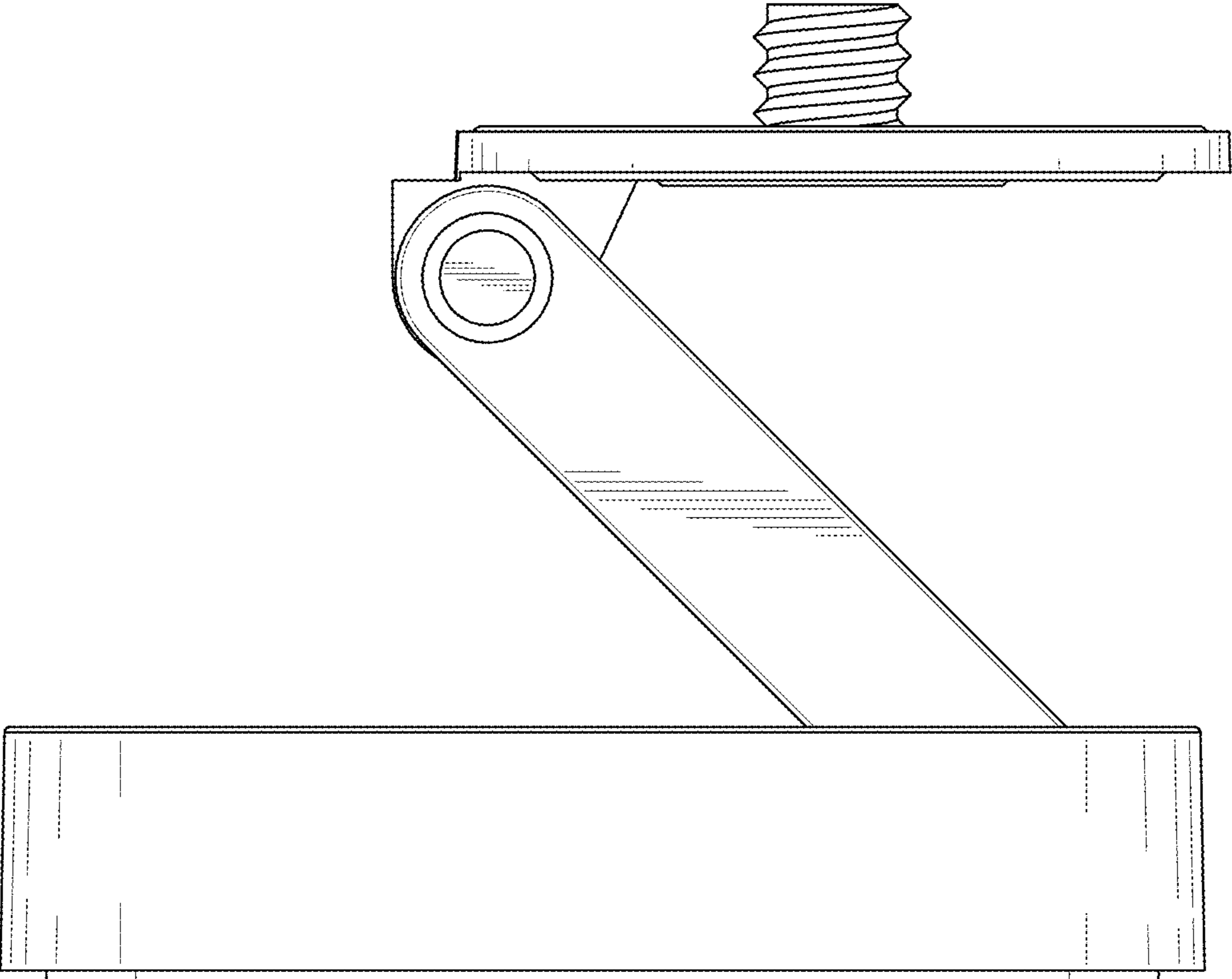


FIG. 11

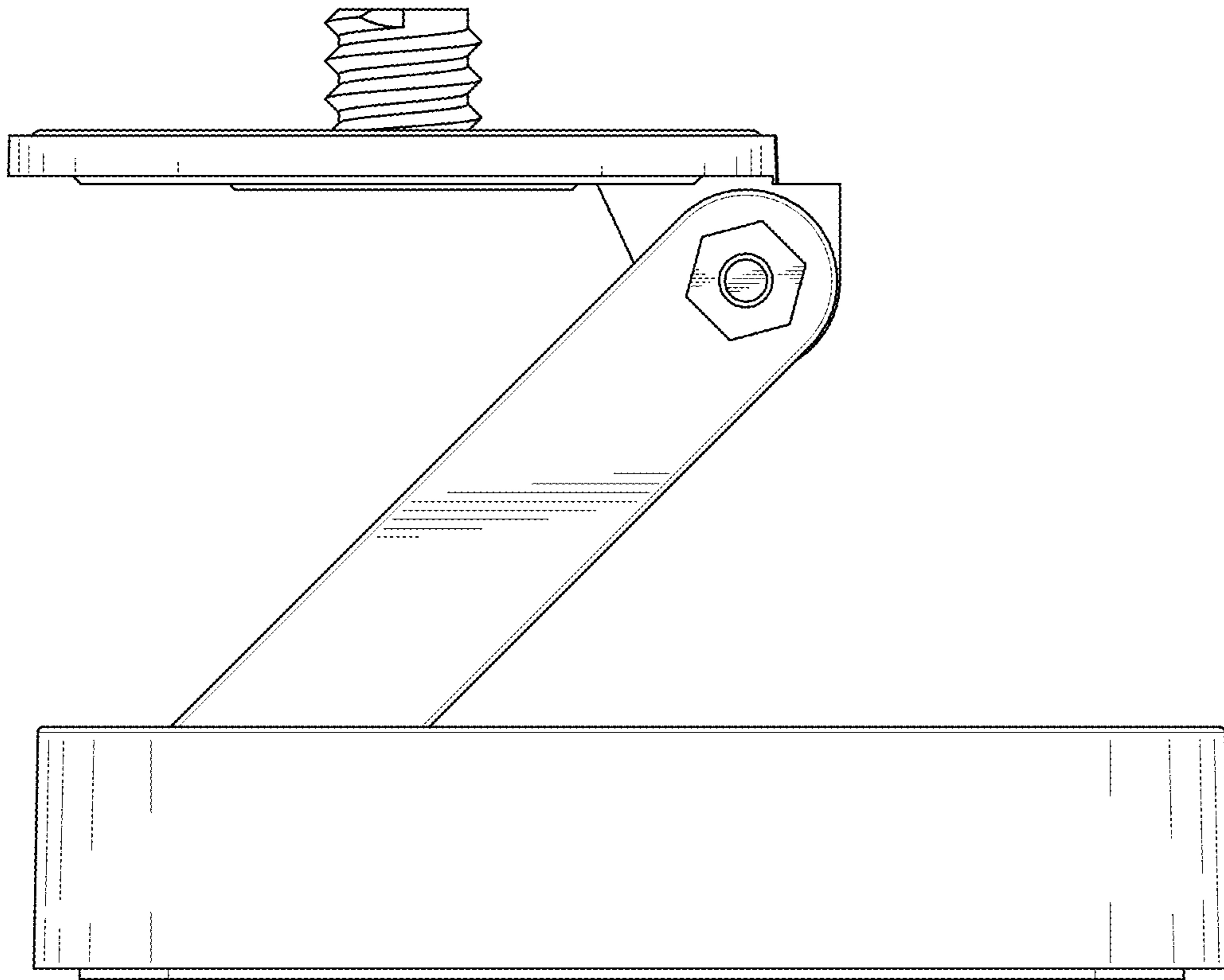


FIG. 12

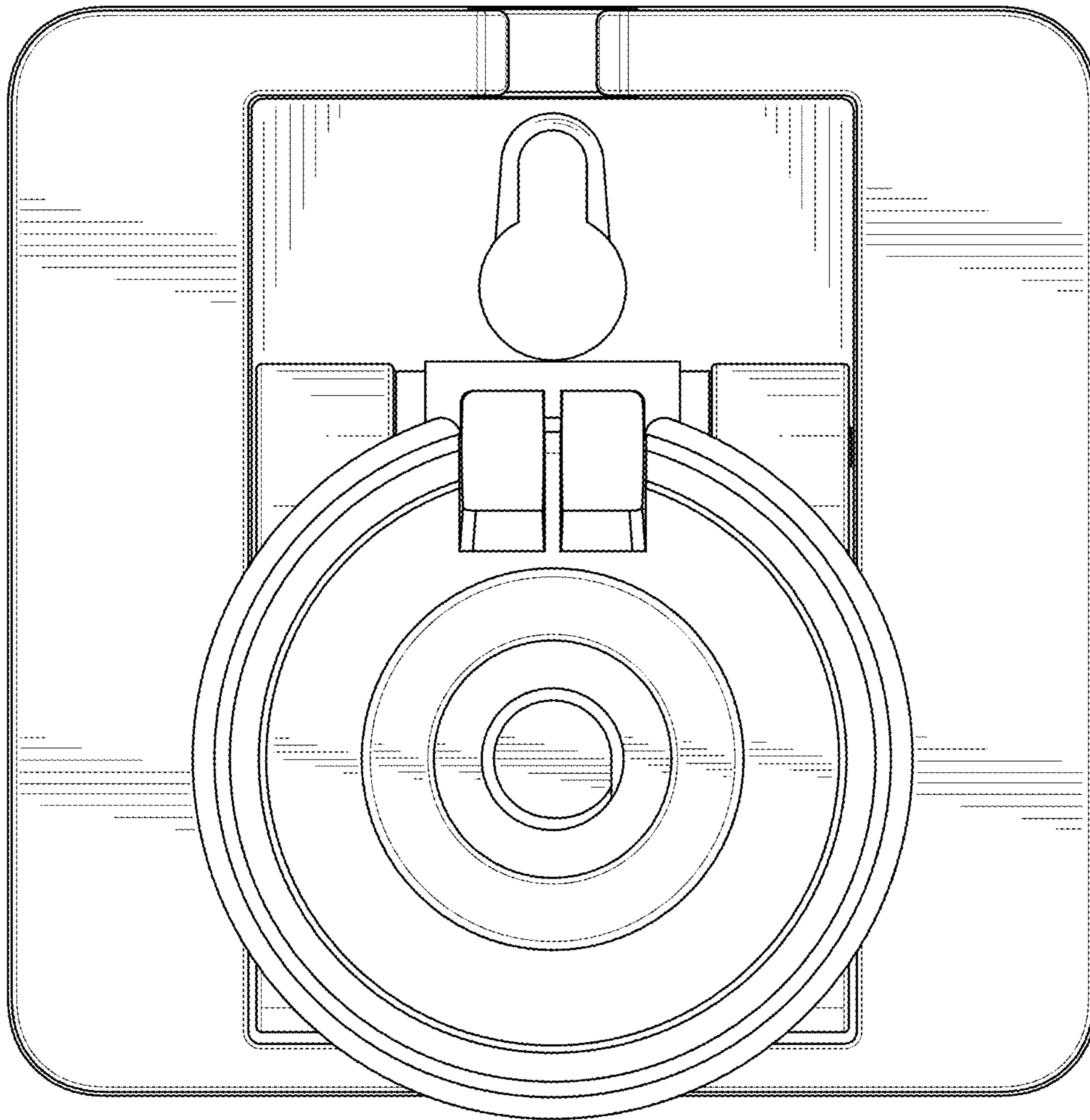


FIG. 13

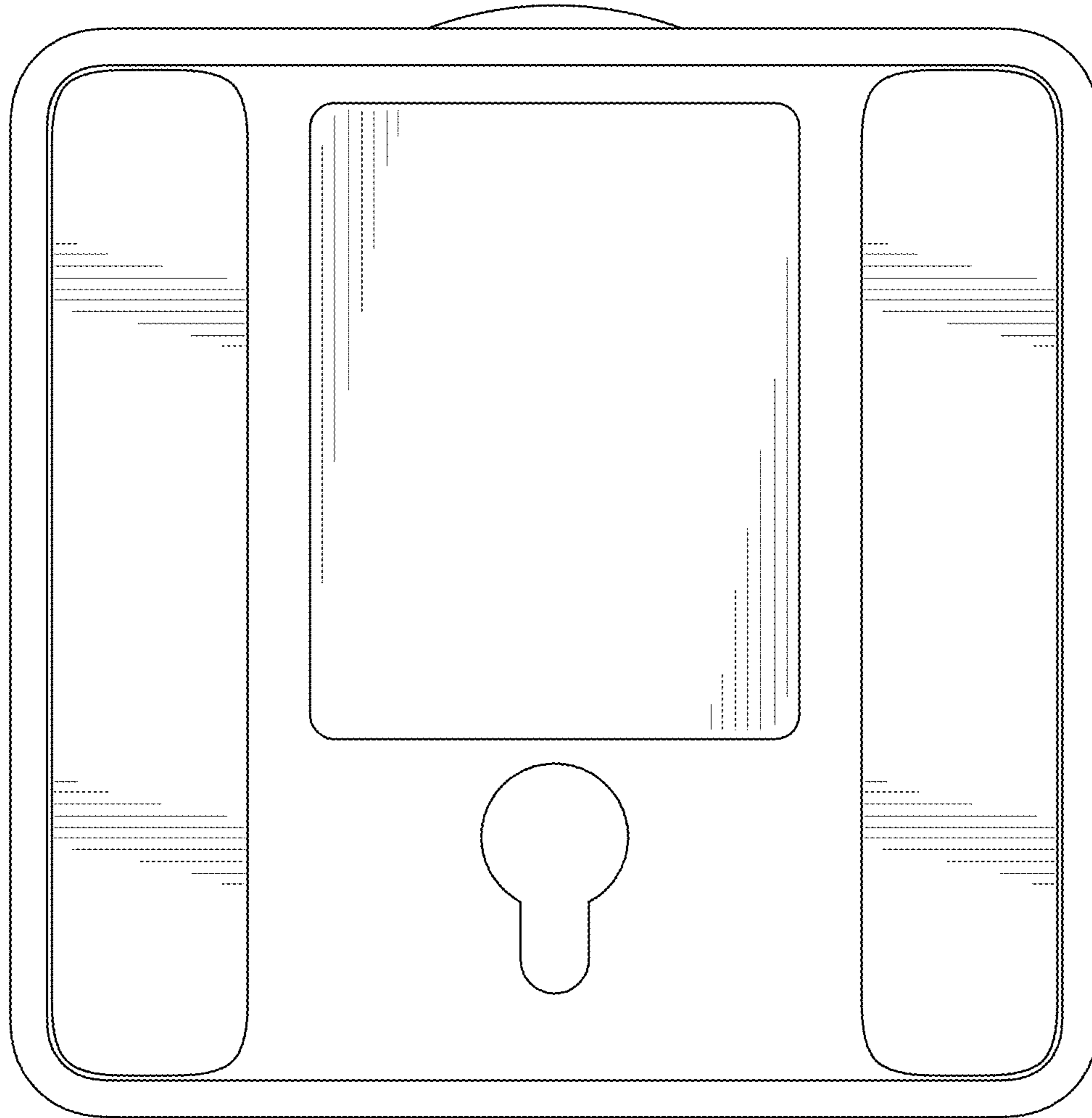


FIG. 14



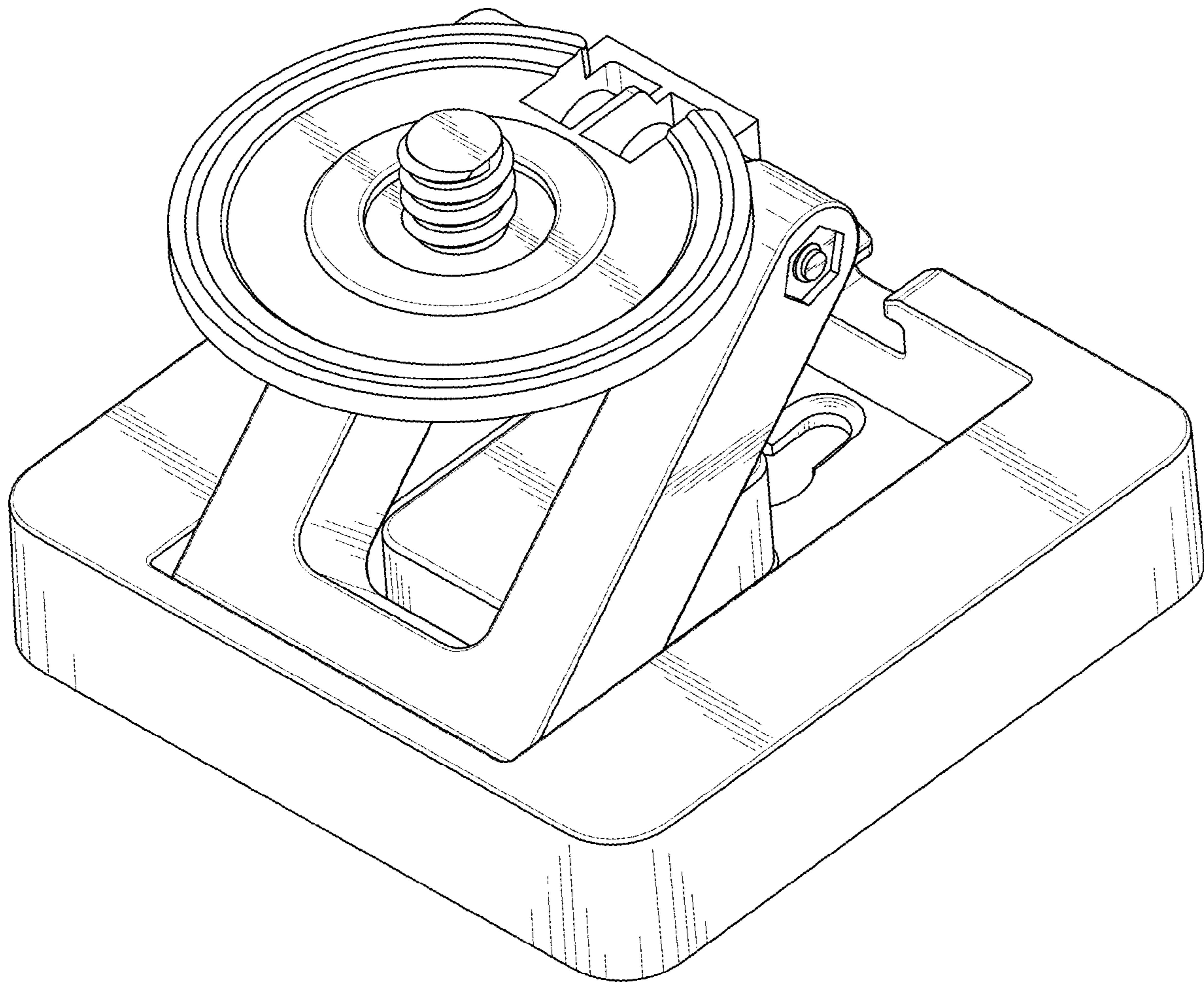


FIG. 15

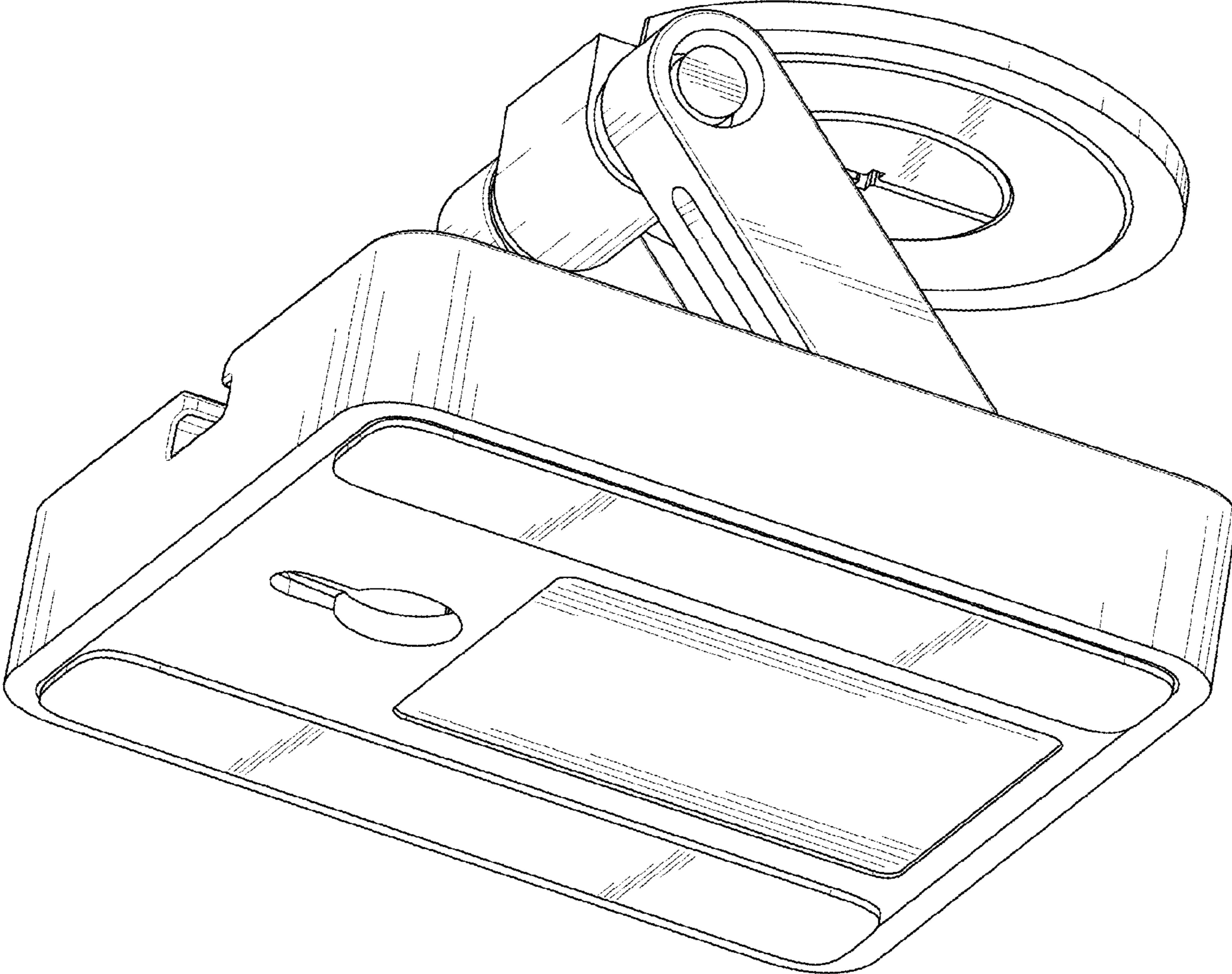


FIG. 16

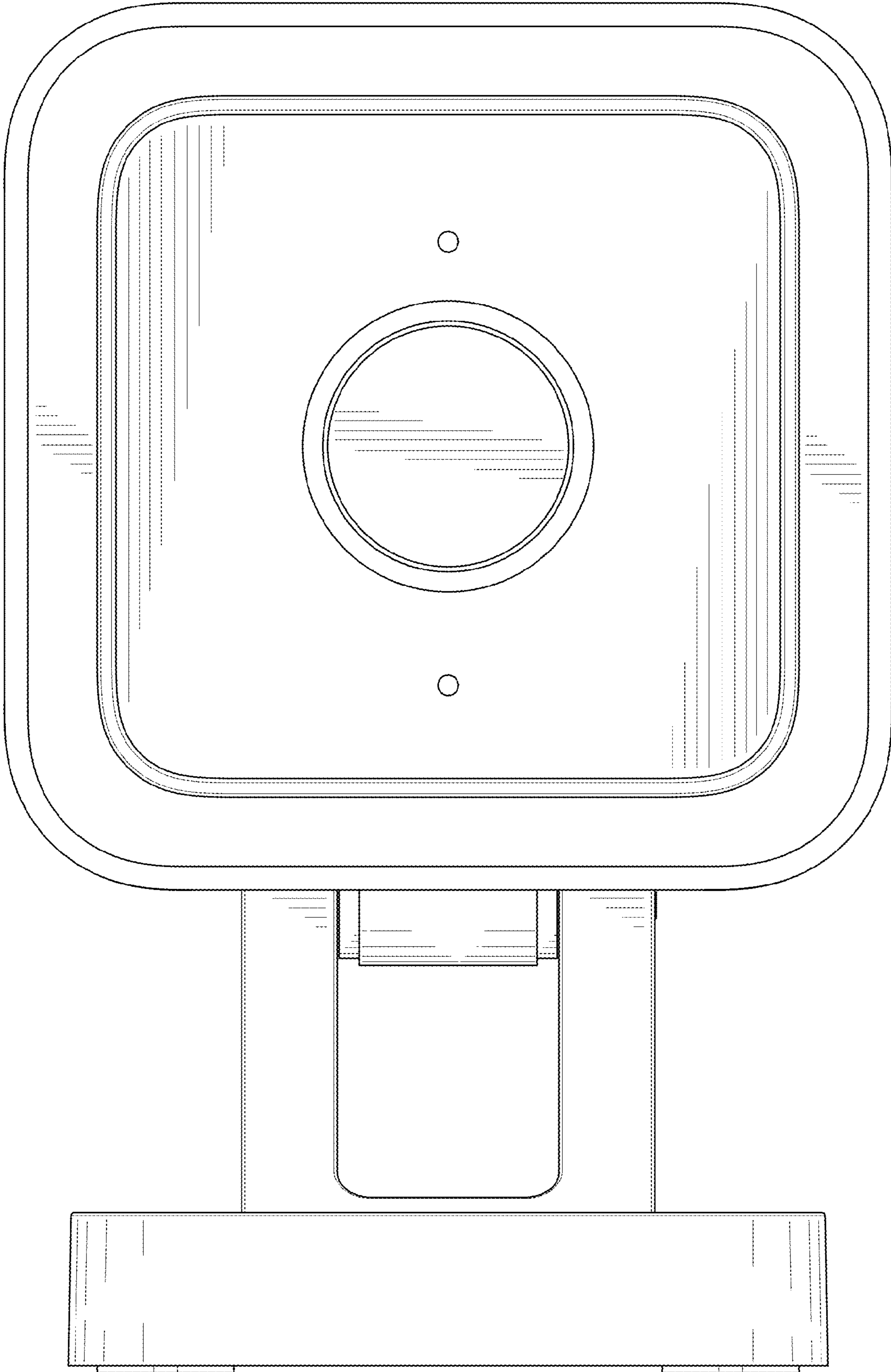


FIG. 17

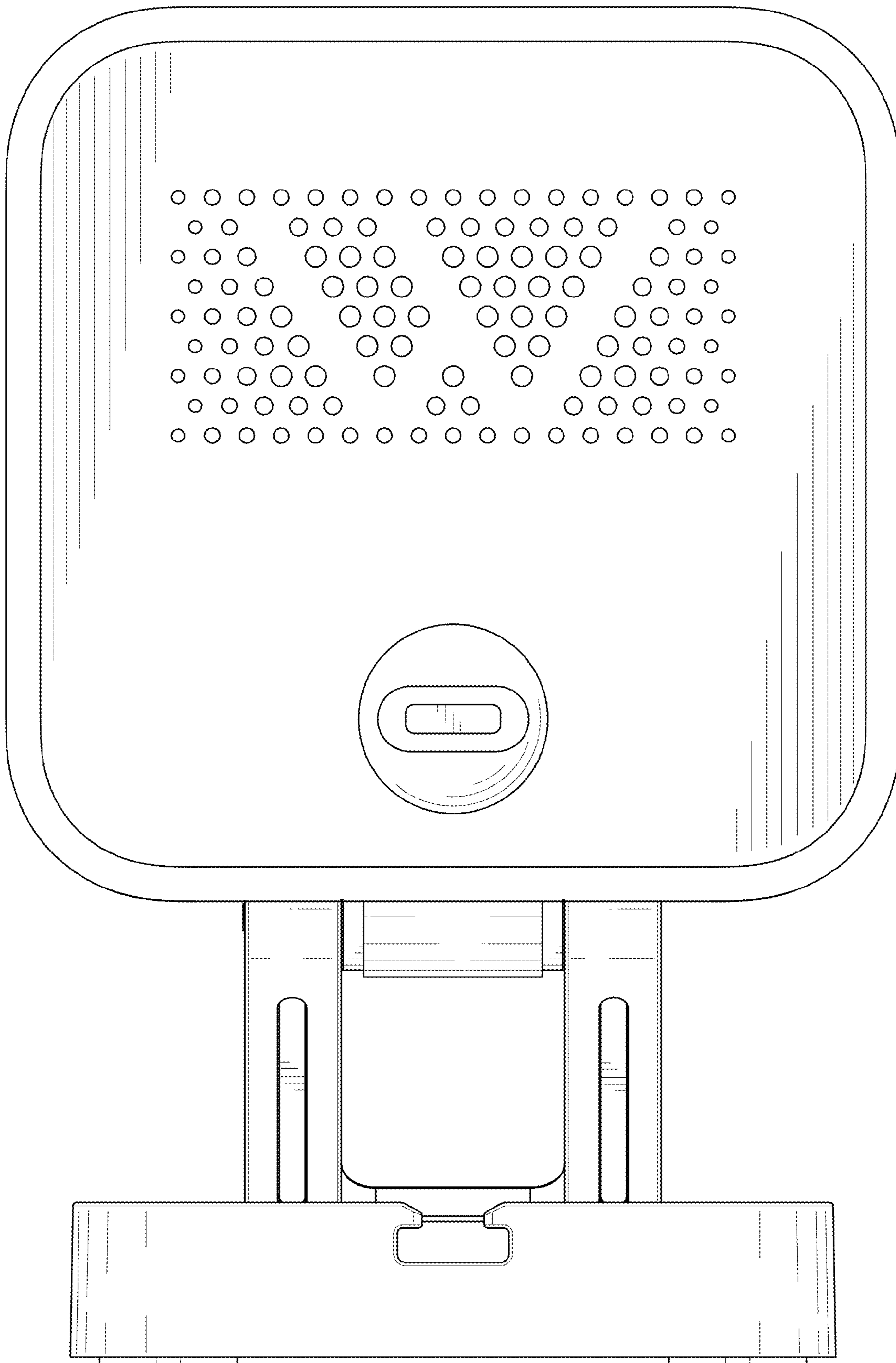


FIG. 18

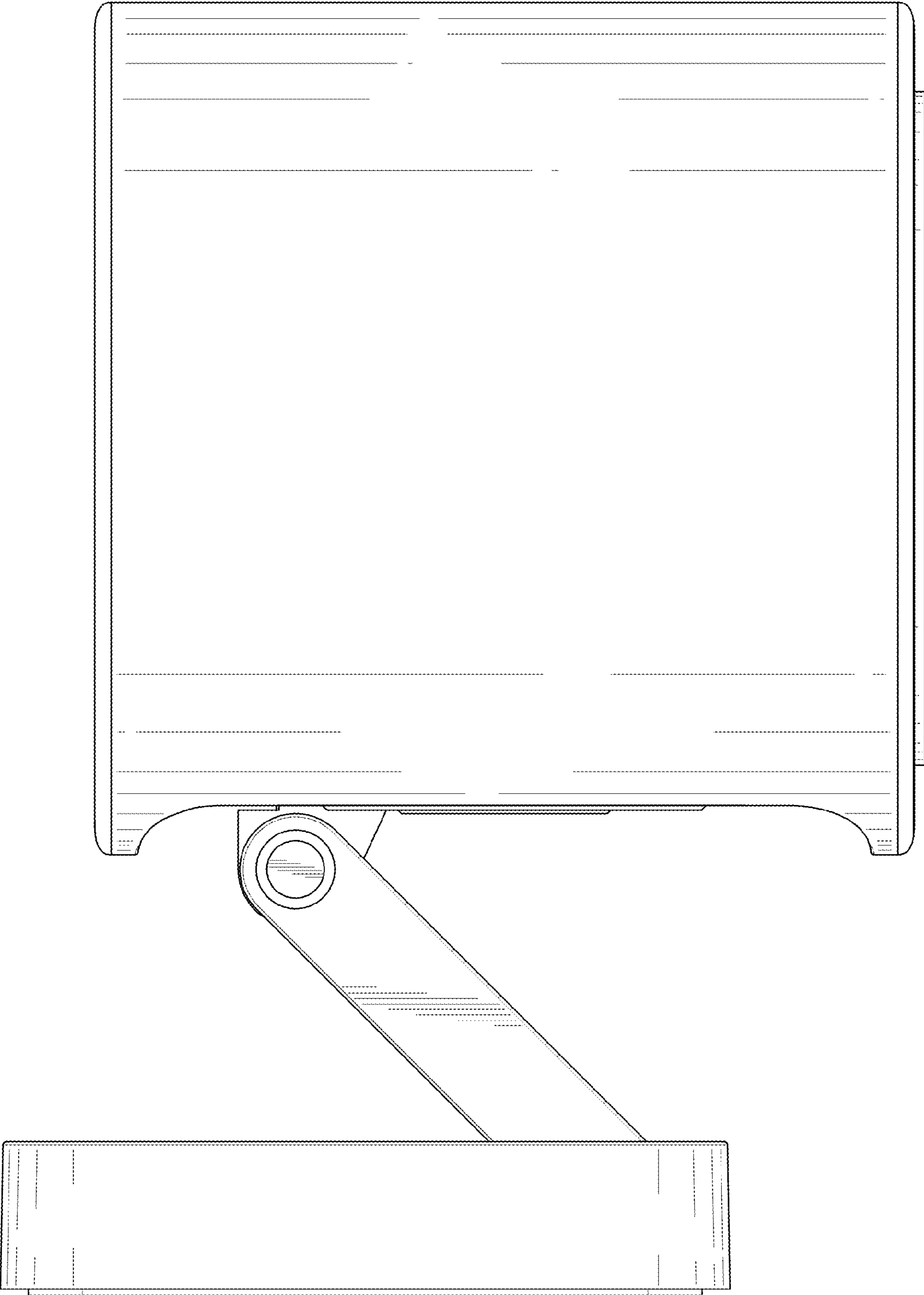


FIG. 19

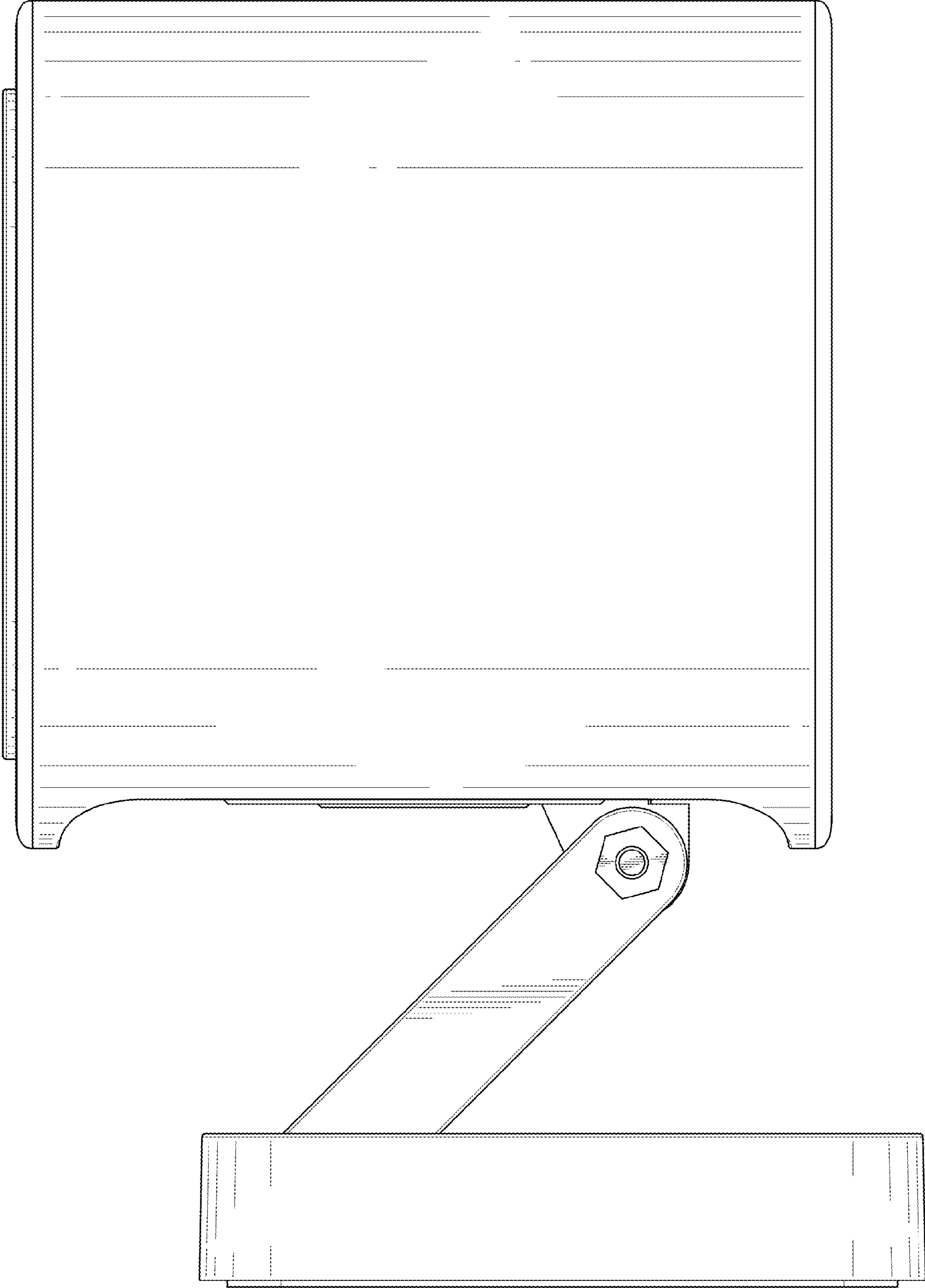


FIG. 20

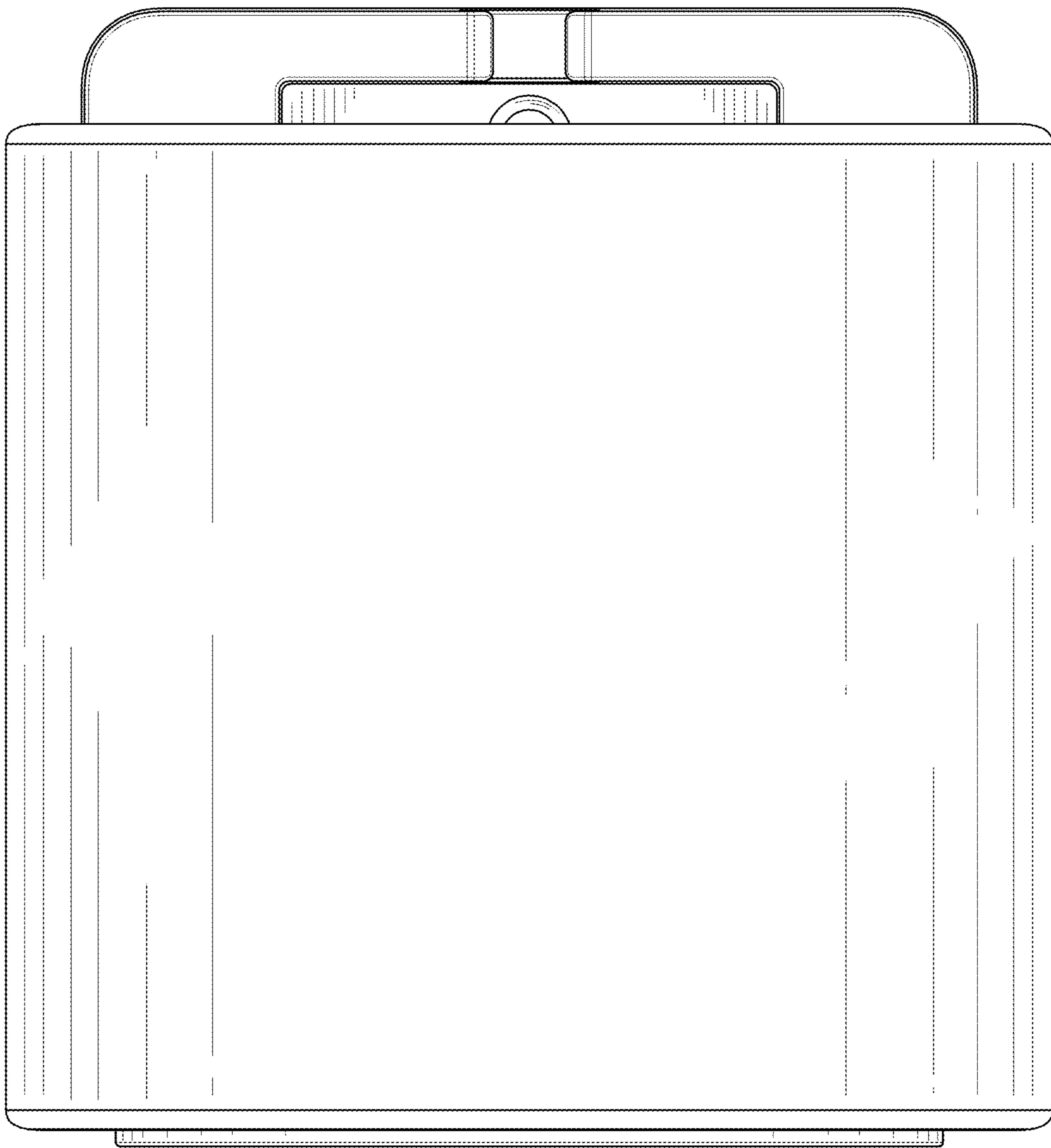


FIG. 21

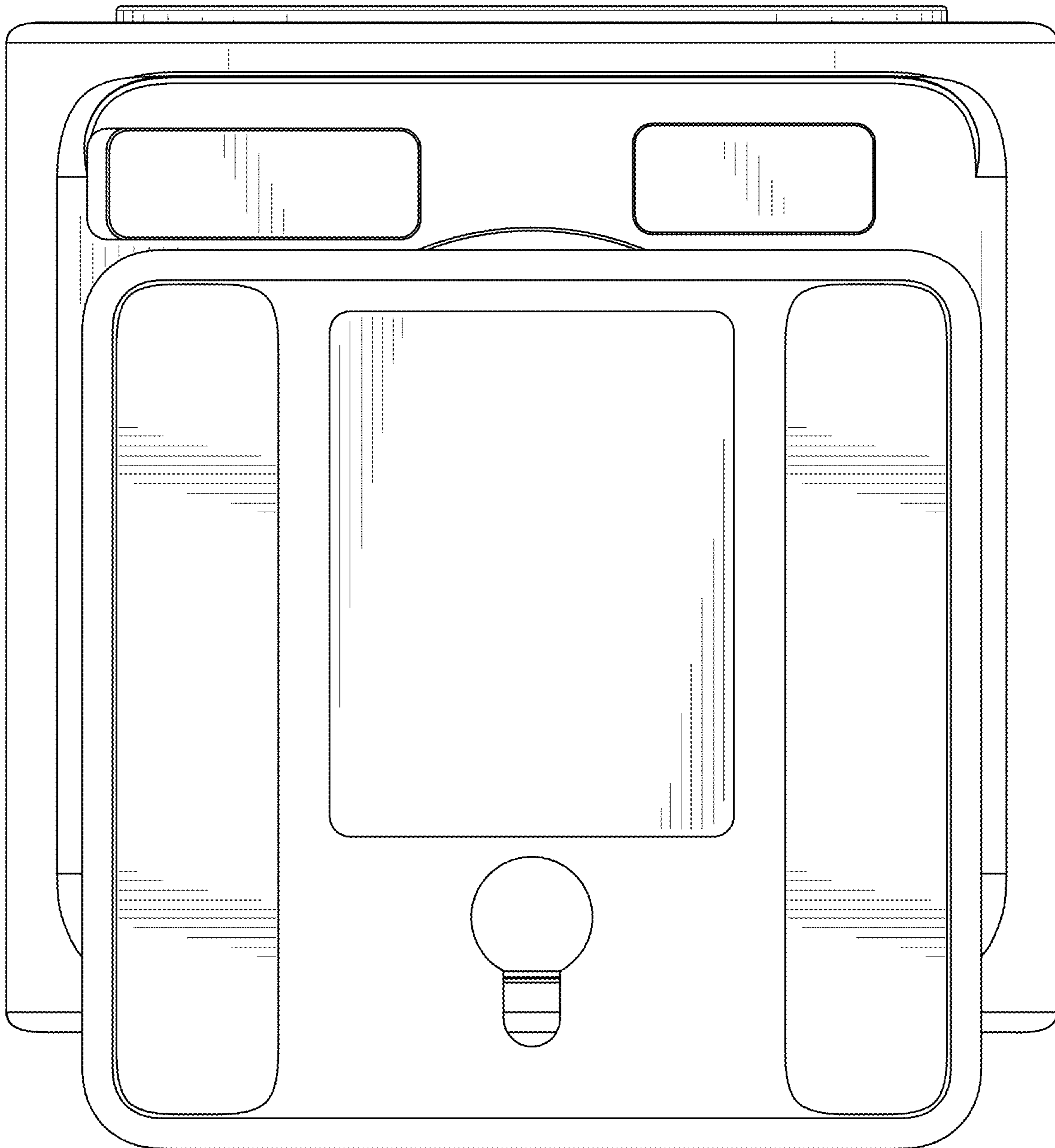


FIG. 22



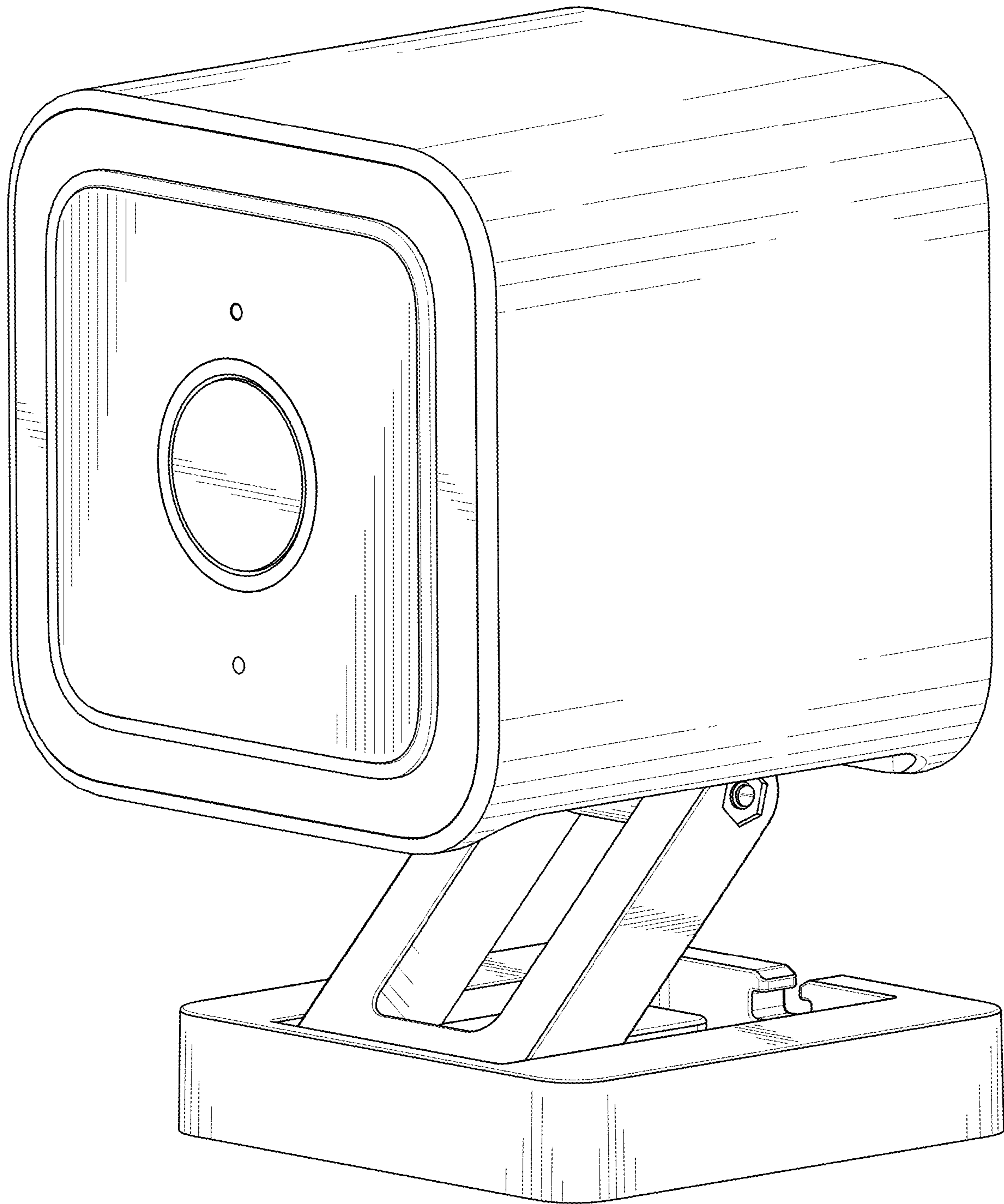


FIG. 23

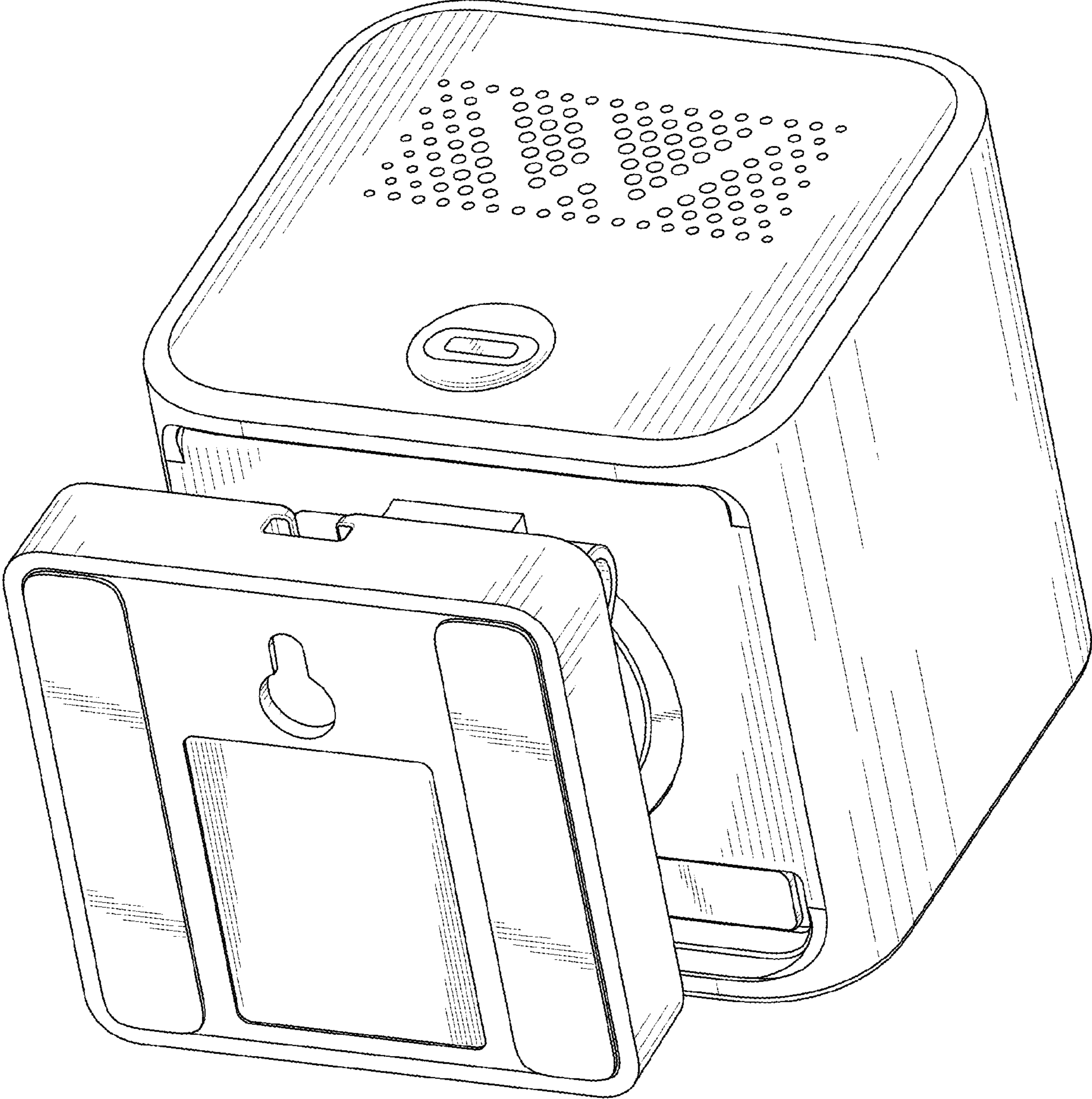


FIG. 24

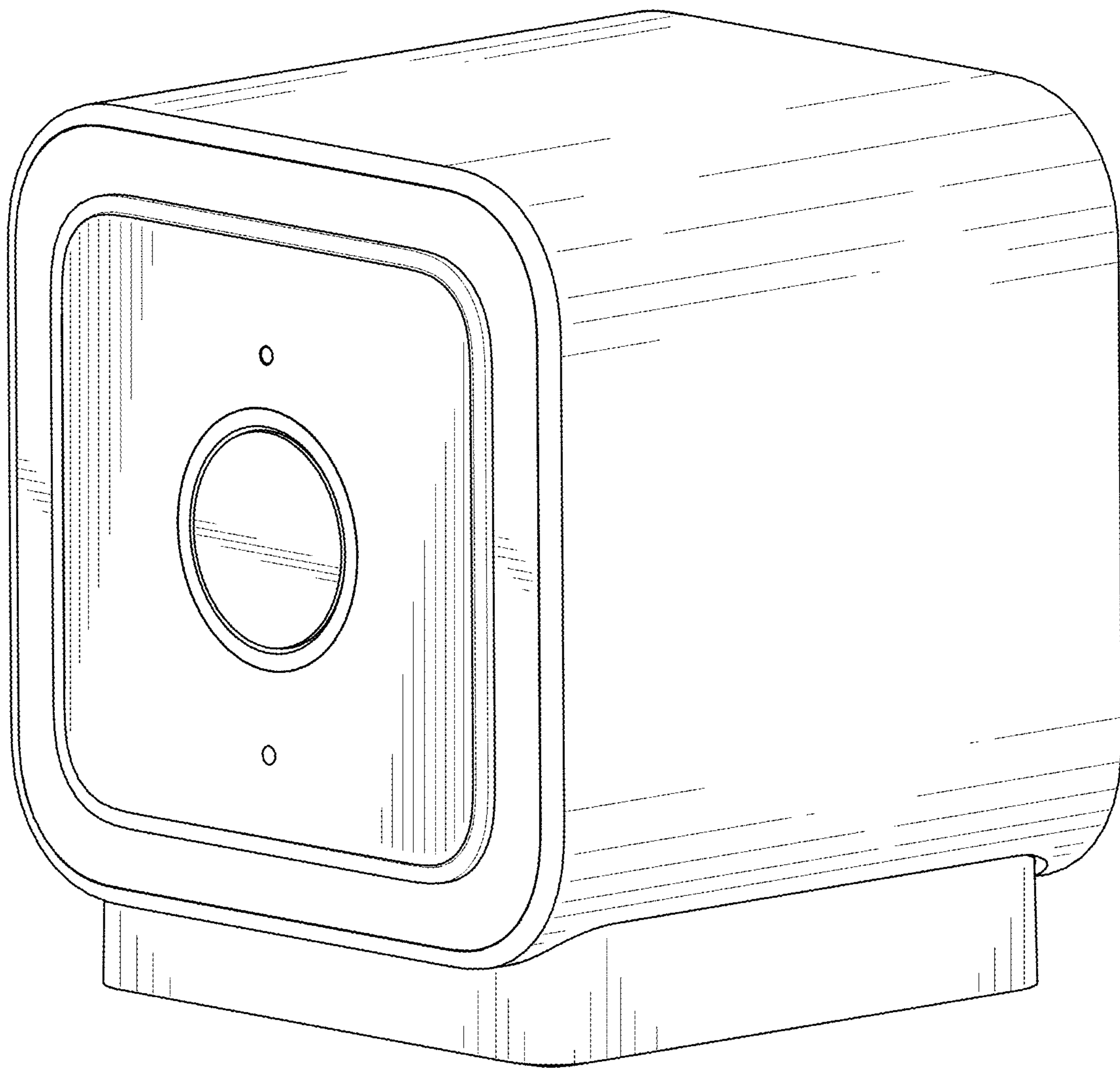


FIG. 25

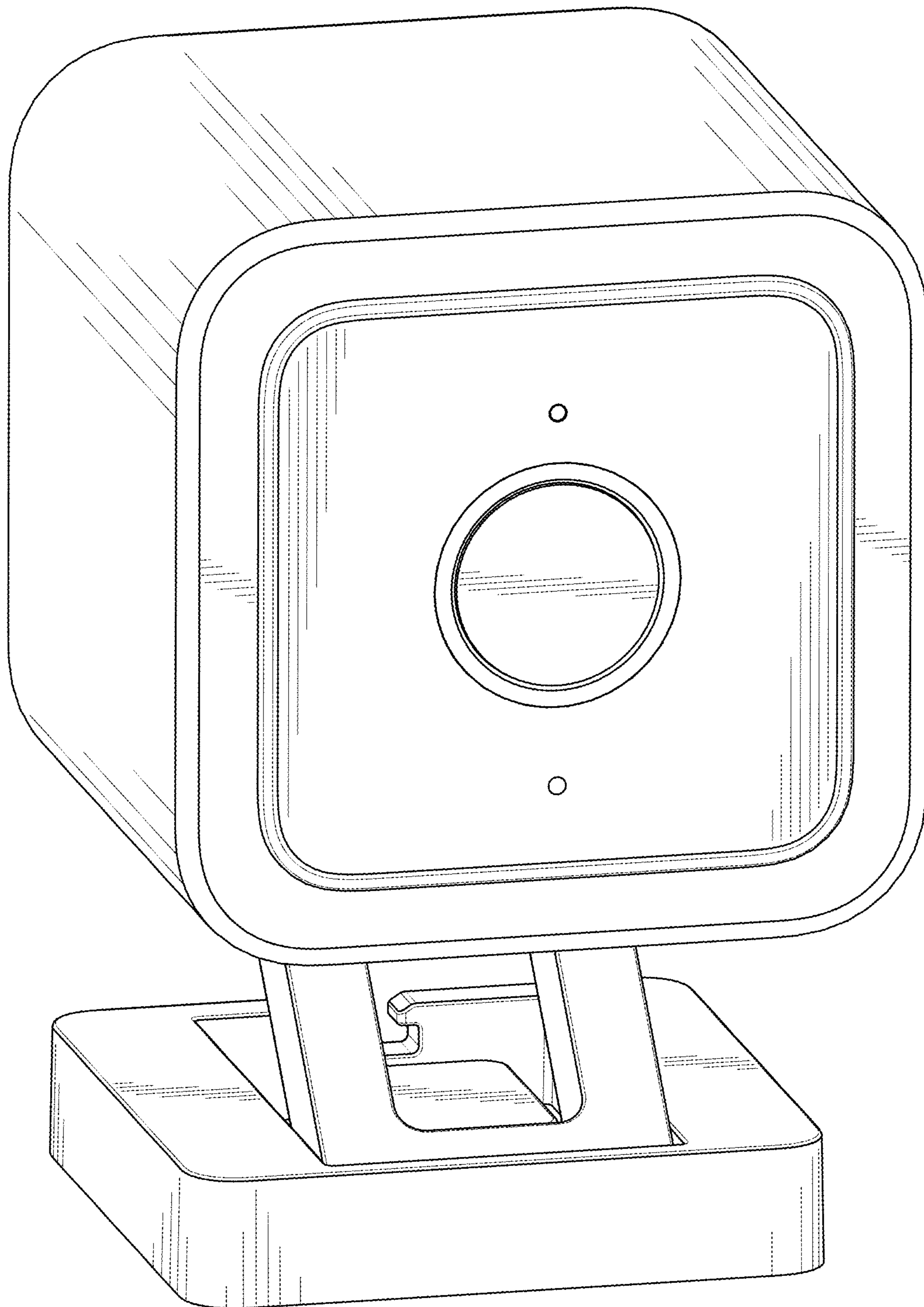


FIG. 26

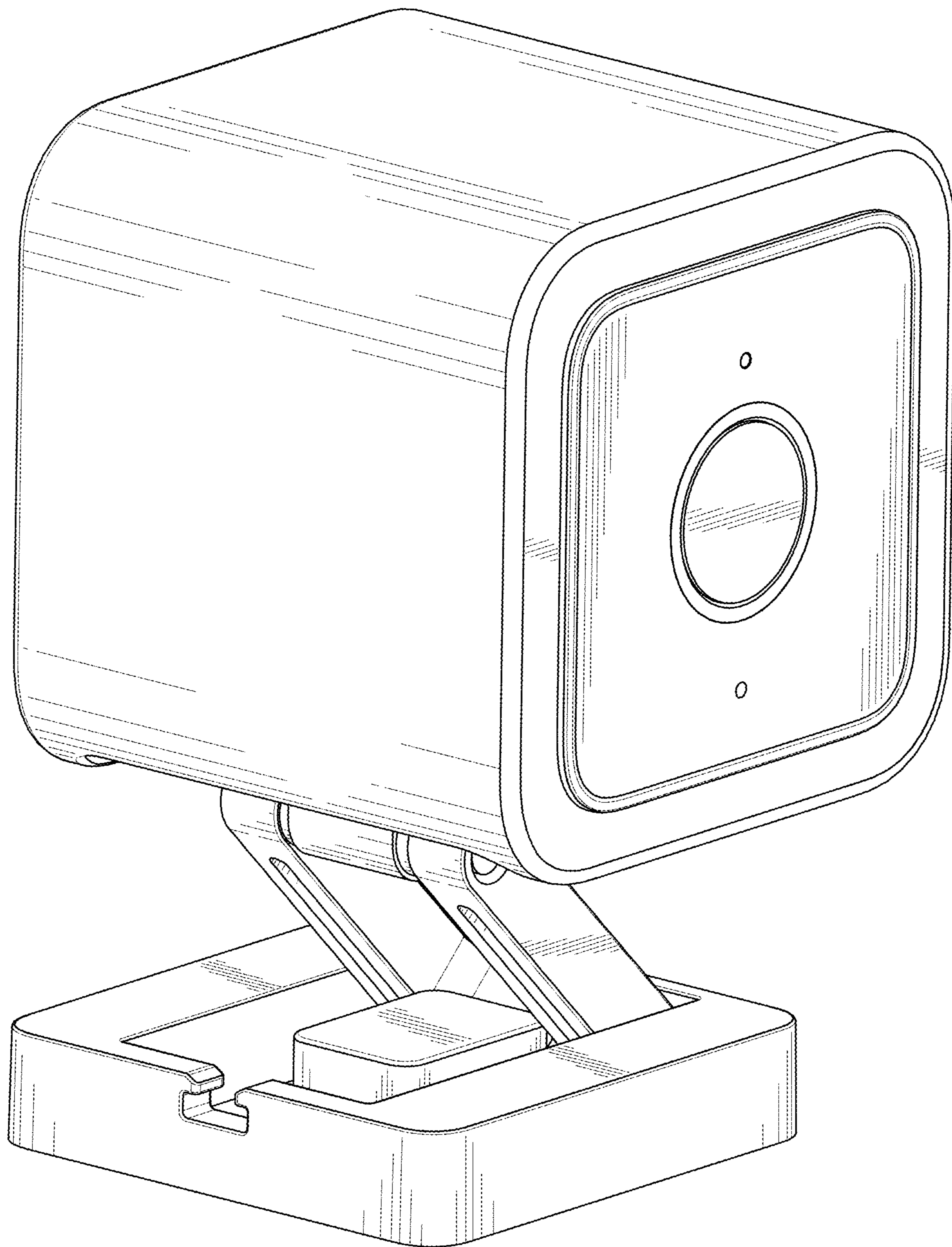


FIG. 27

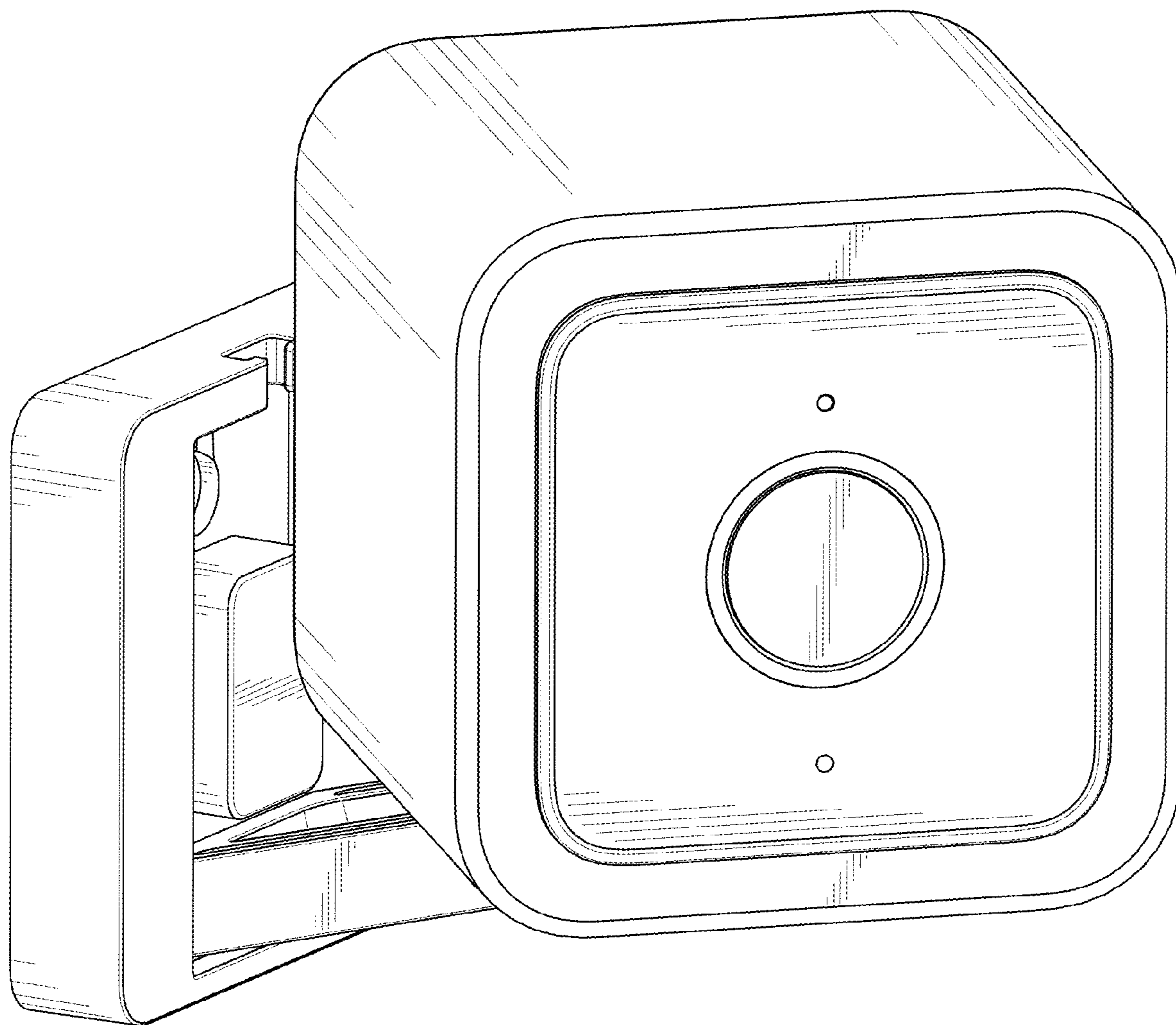


FIG. 28

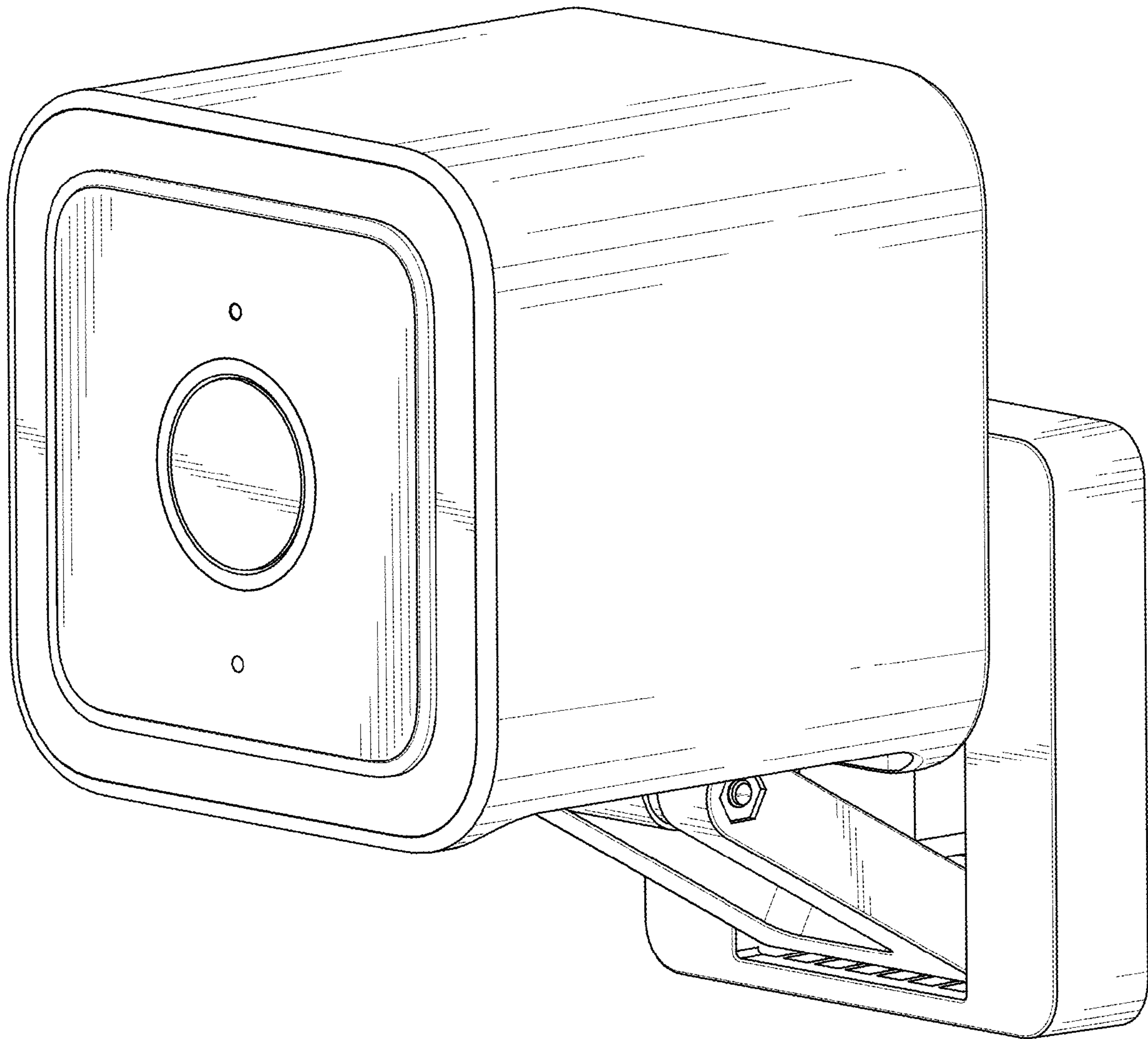


FIG. 29