



US00D967225S

(12) **United States Design Patent**
Ding et al.

(10) **Patent No.:** **US D967,225 S**
(45) **Date of Patent:** **** Oct. 18, 2022**

(54) **CAMERA**

(71) Applicant: **Shenzhen Oceanwing Smart Innovations Technology Co., Ltd,**
Changsha (CN)

(72) Inventors: **Kebi Ding, Shenzhen (CN); Zhengwen Liu, Shenzhen (CN)**

(73) Assignee: **Shenzhen Oceanwing Smart Innovations Technology Co., Ltd,**
Shenzhen (CN)

(**) Term: **15 Years**

(21) Appl. No.: **29/763,652**

(22) Filed: **Dec. 23, 2020**

(51) **LOC (13) Cl.** **16-01**

(52) **U.S. Cl.**

USPC **D16/200**

(58) **Field of Classification Search**

USPC D16/200–204, 207–208, 218–219;
D10/61, 63, 65, 70, 71, 104.1, 106.7;
D14/203.1, 204, 209.1, 496, 497

CPC G03B 15/03; G03B 17/02; G03B 17/04;
G03B 17/56; G03B 19/04; H04N 7/141;
H04N 7/142; H04N 7/147; H04N 7/148;
H04N 7/15; H04N 7/152; H04N 5/2251;
H04N 5/2252; H04N 5/2253; H04N
5/2254; H04N 2101/00; H04N 2007/145

See application file for complete search history.

(56) **References Cited**

U.S. PATENT DOCUMENTS

D747,386 S *	1/2016	Li	D16/208
D750,681 S *	3/2016	Takami	D16/202
D754,231 S *	4/2016	Murray	D16/202
D775,679 S *	1/2017	Klein	D16/202
D782,562 S *	3/2017	Gustaveson, II	D16/237
D807,939 S *	1/2018	Lundin	D16/200
D808,457 S *	1/2018	Gustaveson, II	D16/237
D839,946 S *	2/2019	De Vries	D16/237

(Continued)

FOREIGN PATENT DOCUMENTS

CN	303330194	*	8/2015
EM	002730549-0001	*	7/2015

OTHER PUBLICATIONS

“Webcam HD 1080p-Streaming Webcam with Privacy Cover for Desktop Computer PC, 100° Wide-Angle View with Stereo Microphone, USB Webcam Plug and Play,Low-Light Correction” from Amazon.com, first available Aug. 25, 2020 from the internet <<https://www.amazon.com/1080p-Streaming-Wide-Angle-Microphone-Low-Light-Correction/dp/B08GL9HBFM?th=1>> (Year: 2020).*

(Continued)

Primary Examiner — Rosemary K Tarcza

Assistant Examiner — Lacey Chey Bowman

(74) *Attorney, Agent, or Firm* — Banner & Witcoff, Ltd.

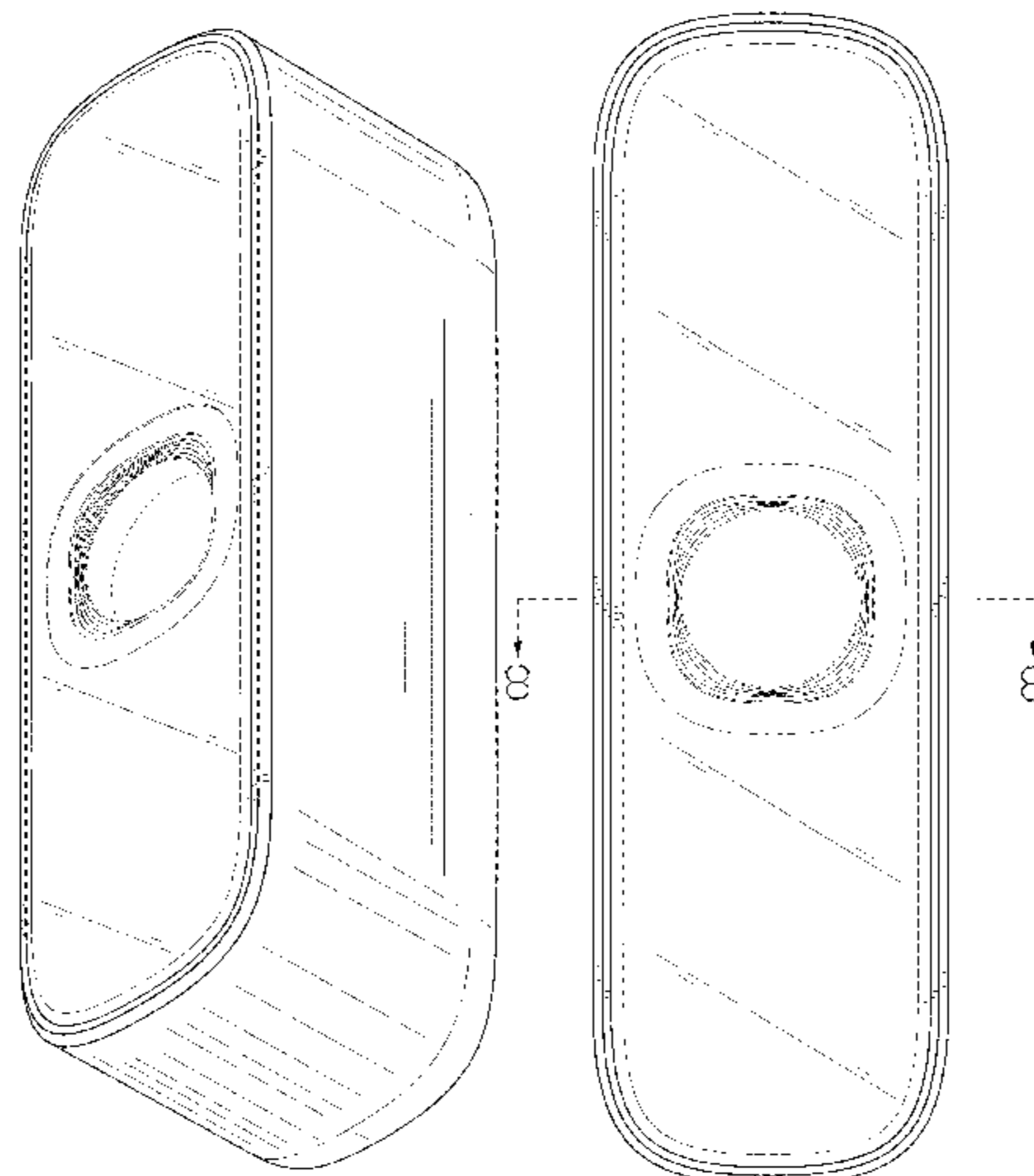
(57) **CLAIM**

The ornamental design for a camera, as shown and described.

DESCRIPTION

FIG. 1 is a front bottom perspective view of a camera showing our new design;
FIG. 2 is a front view thereof;
FIG. 3 is a rear view thereof;
FIG. 4 is a top view thereof;
FIG. 5 is a bottom view thereof;
FIG. 6 is a right side view thereof;
FIG. 7 is a left side view thereof;
FIG. 8 is a cross-sectional view taken along line 8-8 of FIG. 2; and,
FIG. 9 is an enlarged view of the encircled portion 9 indicated in FIG. 8.
The broken lines depict portions of the camera that form no part of the claimed design.

1 Claim, 9 Drawing Sheets



(56)

References Cited

U.S. PATENT DOCUMENTS

D898,806 S * 10/2020 De Vries D16/237
D898,807 S * 10/2020 Roberts D16/237
D932,534 S * 10/2021 Su D14/125

OTHER PUBLICATIONS

“Webcam Cover (3 Pack) Yilador 0.03 inch Ultra Thin Laptop Camera Cover Slide for Computer MacBook Pro iMac iPhone Cell Phone PC Tablet Notebook Surface Pro Echo Show Camera Blocker Slider—Black” from Amazon.com first available Jan. 1, 2019 from the internet <<https://www.amazon.com/Yilador-Computer-MacBook-Notebook-Surface/dp/B07TBG7WM9?th=1>> (Year: 2019).*

* cited by examiner

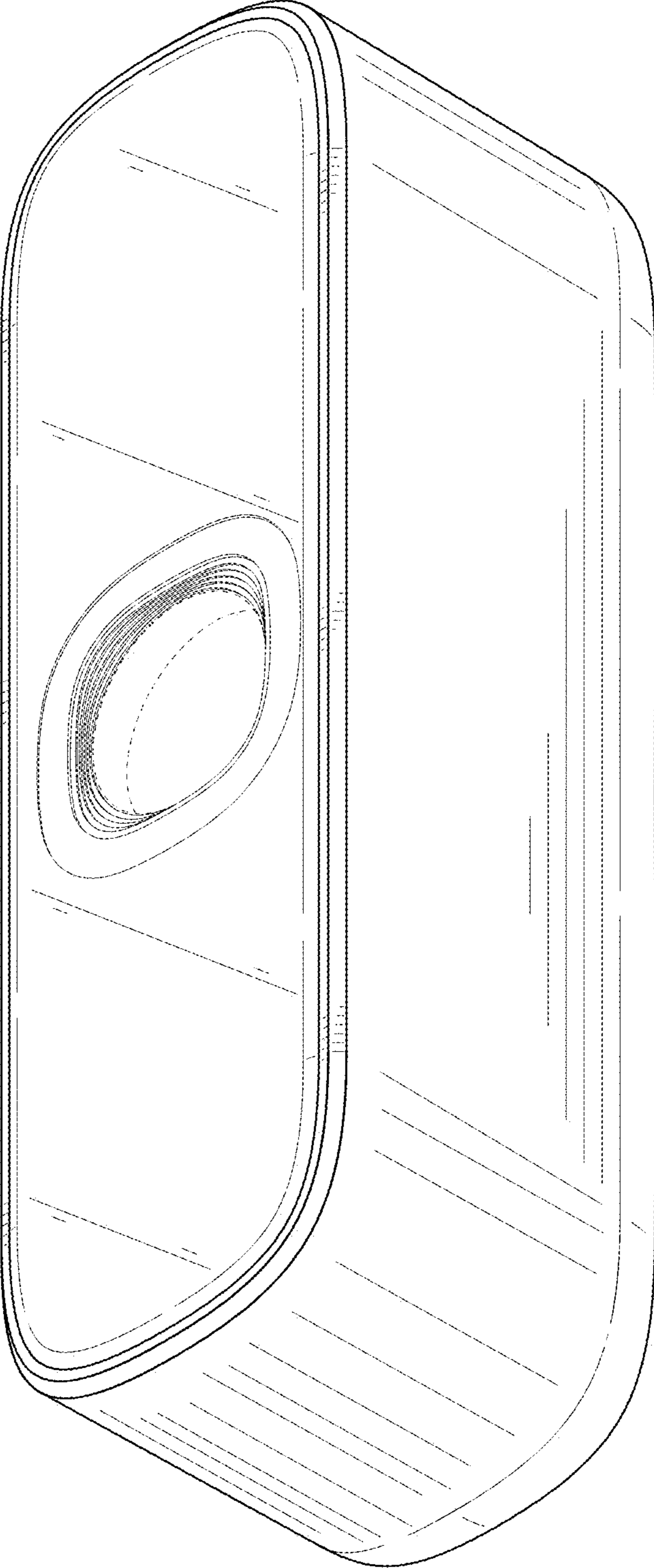


FIG. 1

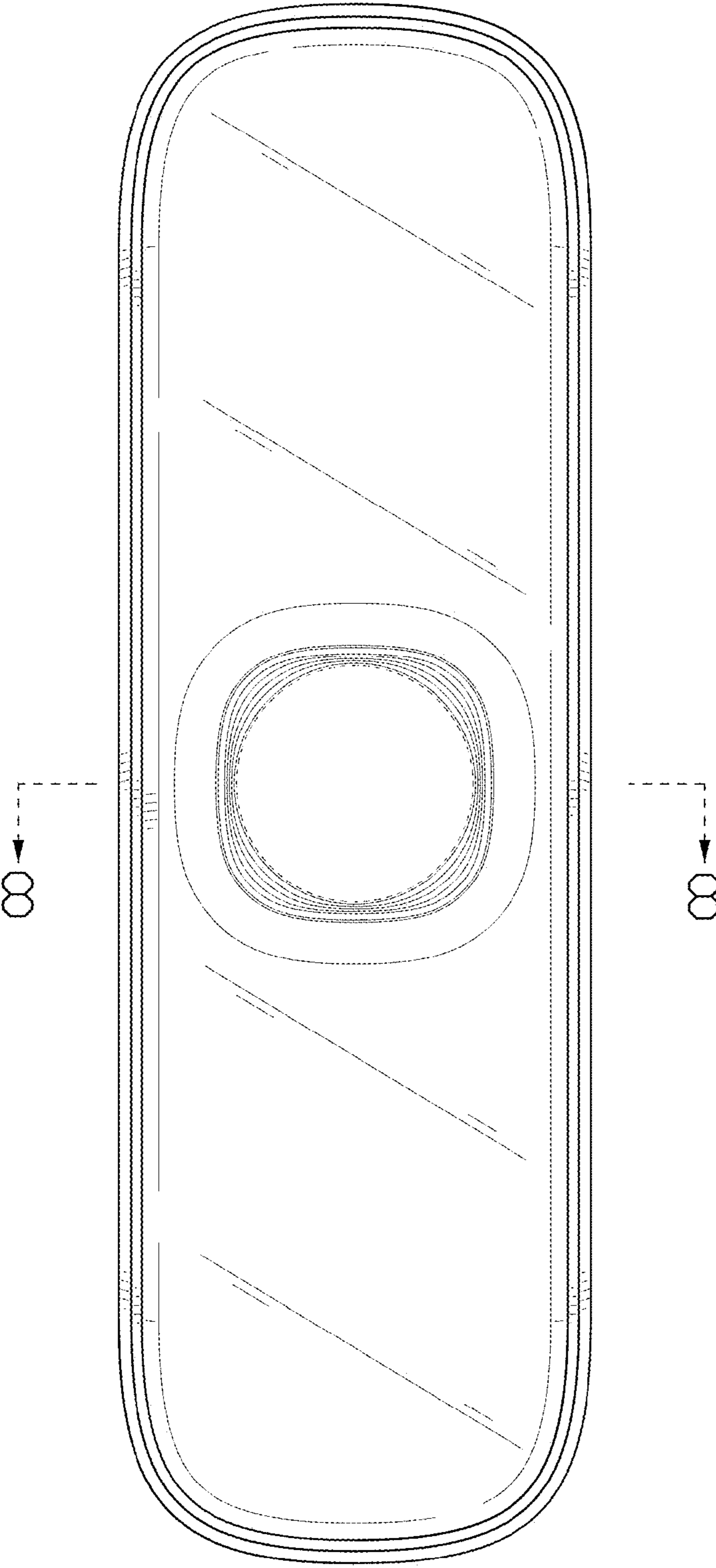


FIG. 2

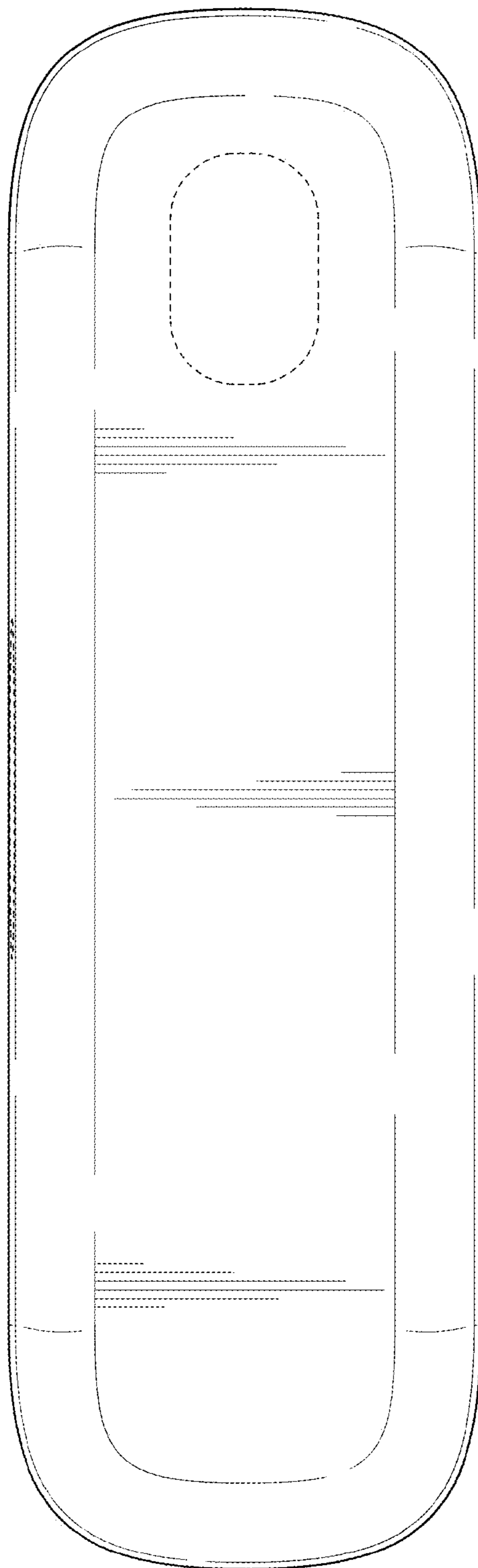


FIG. 3

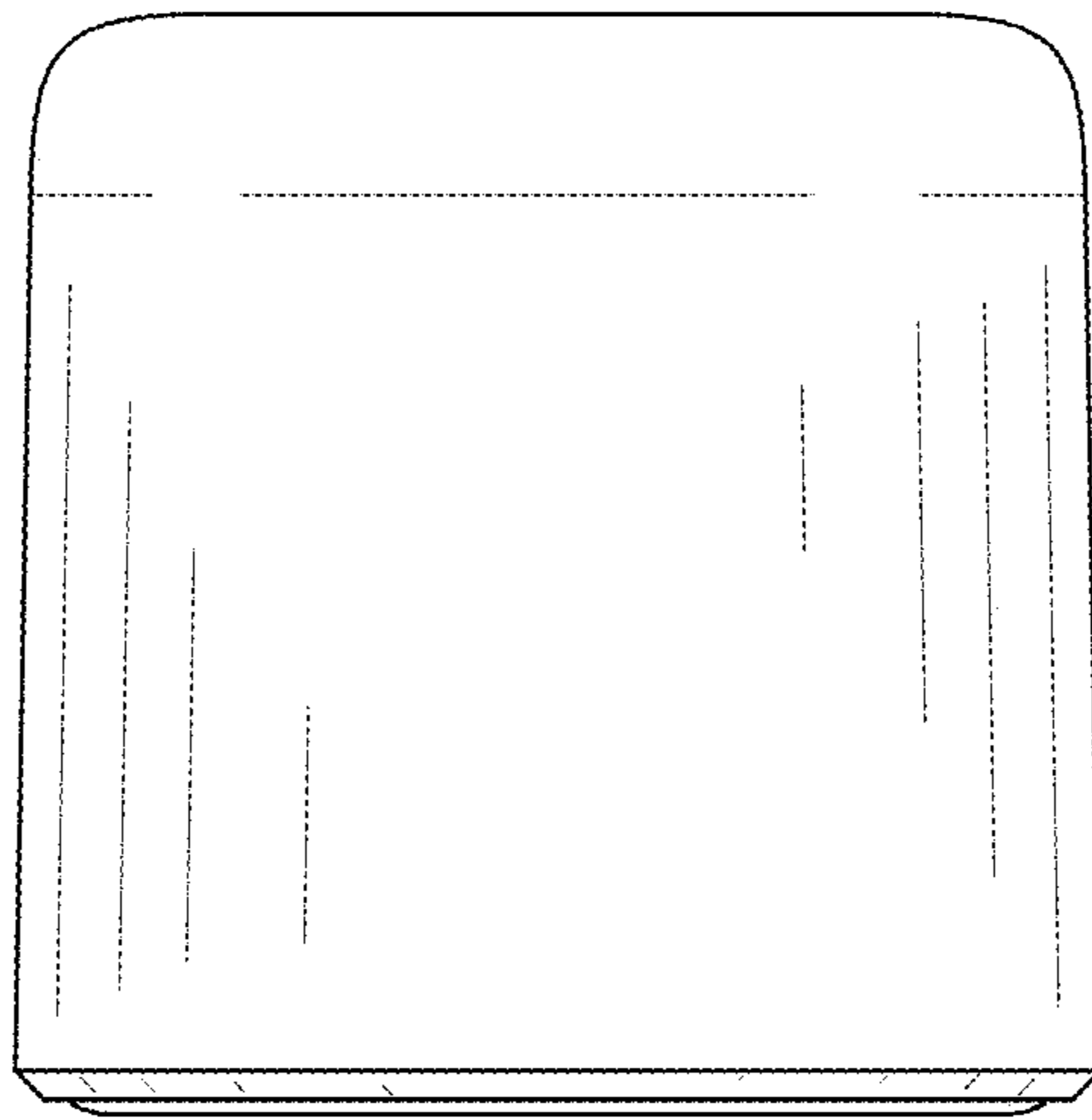


FIG. 4

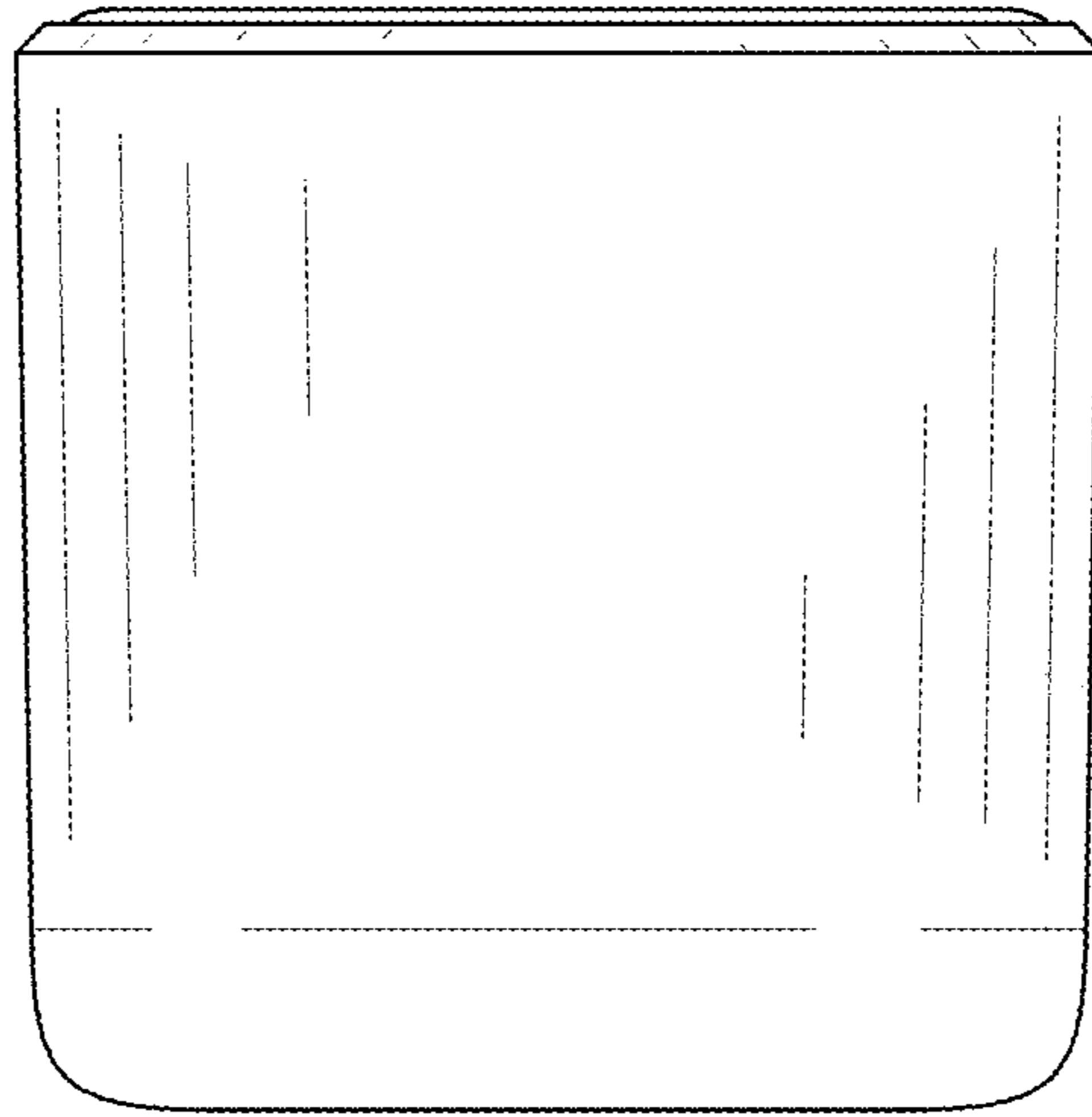


FIG. 5

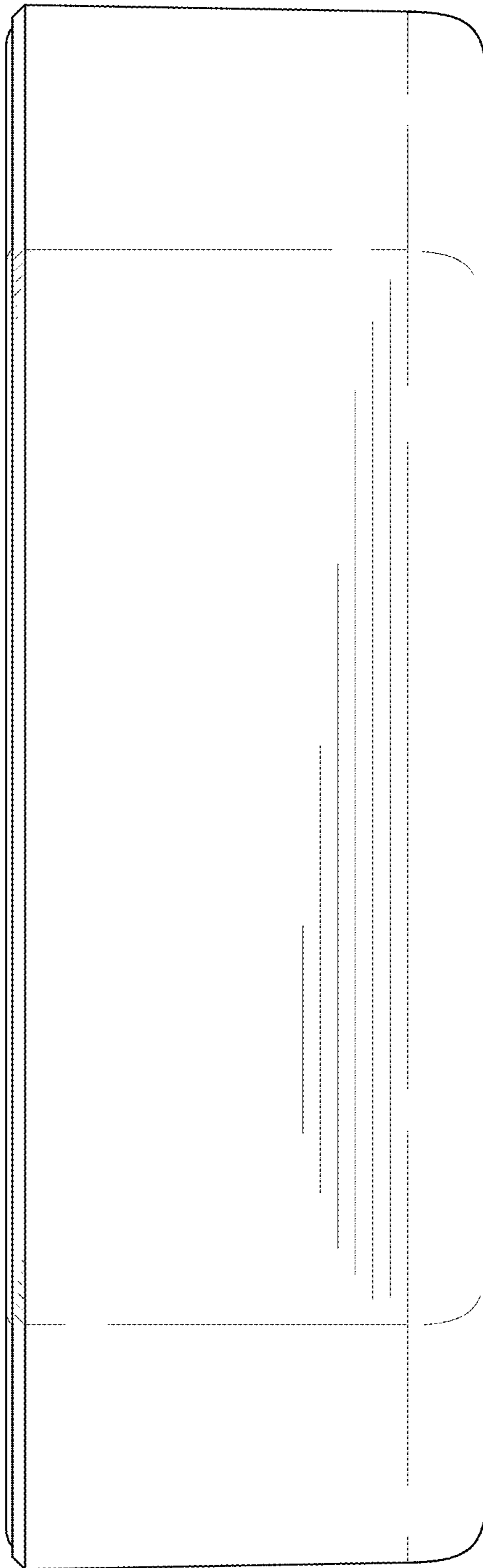


FIG. 6

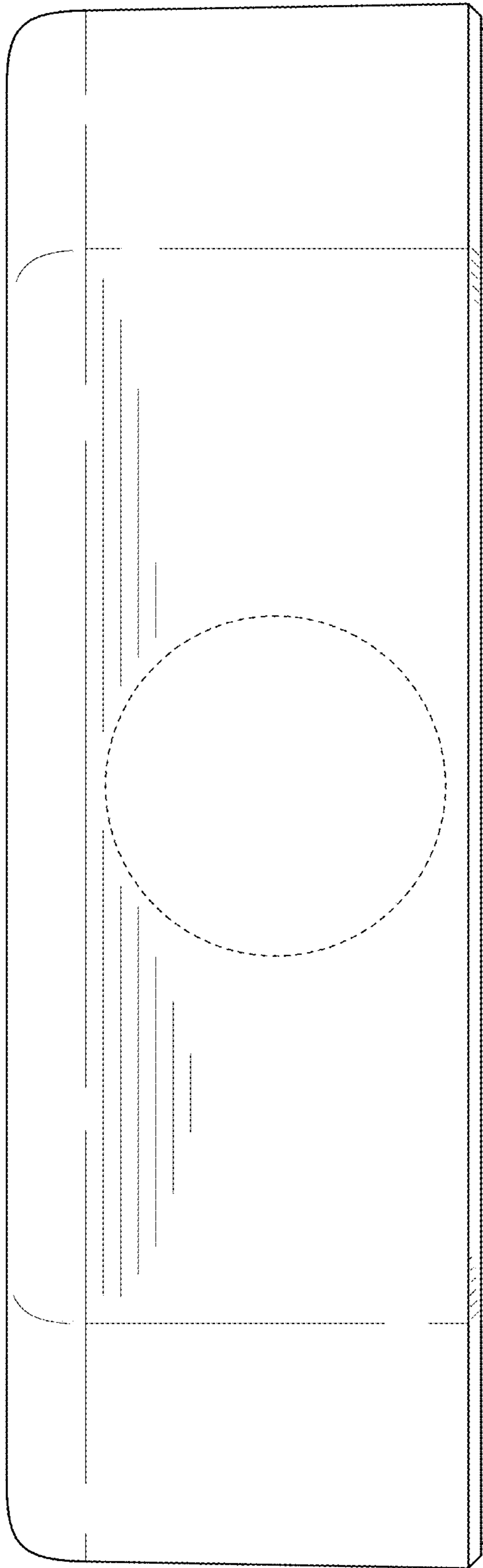


FIG. 7

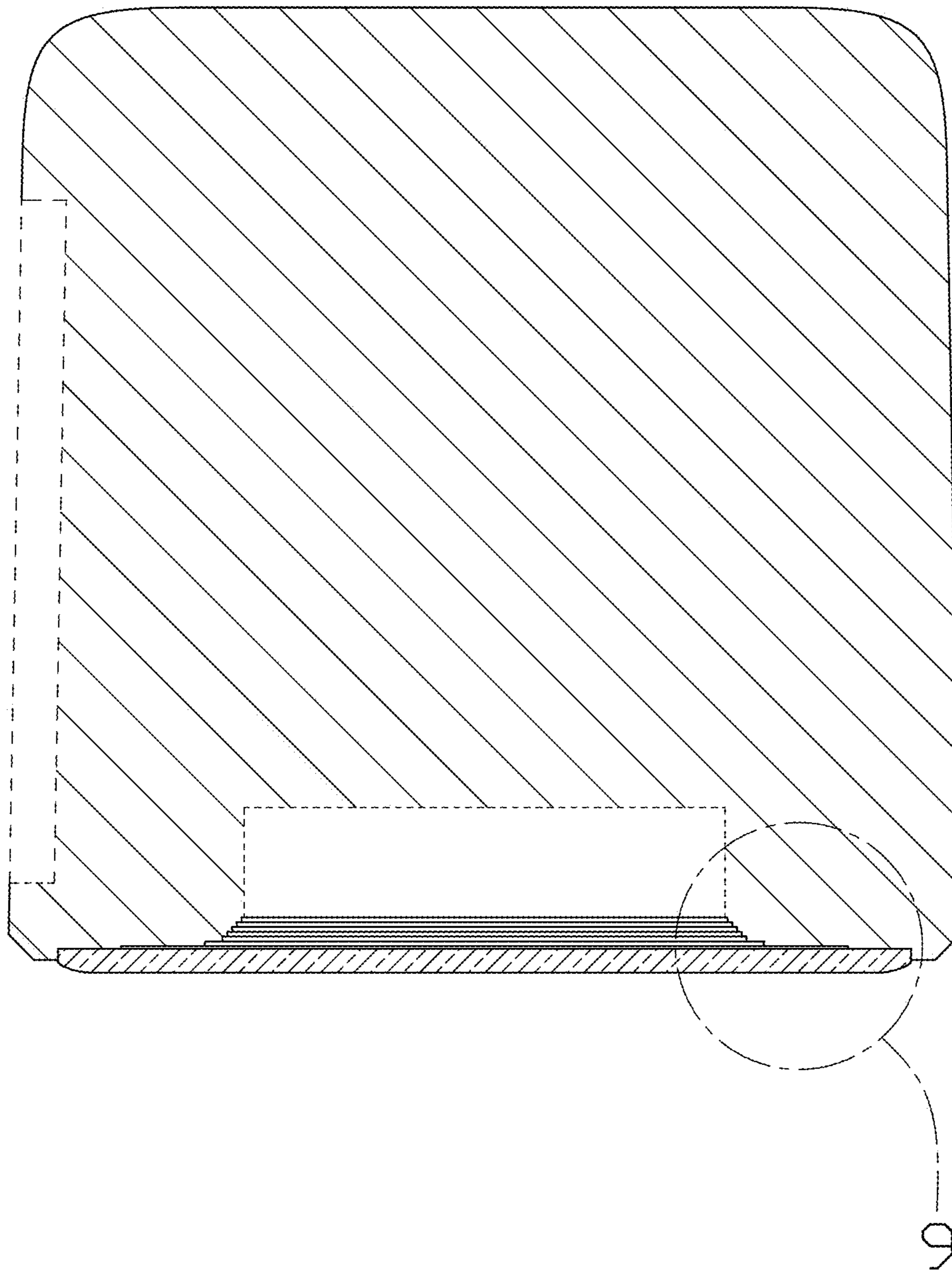


FIG. 8

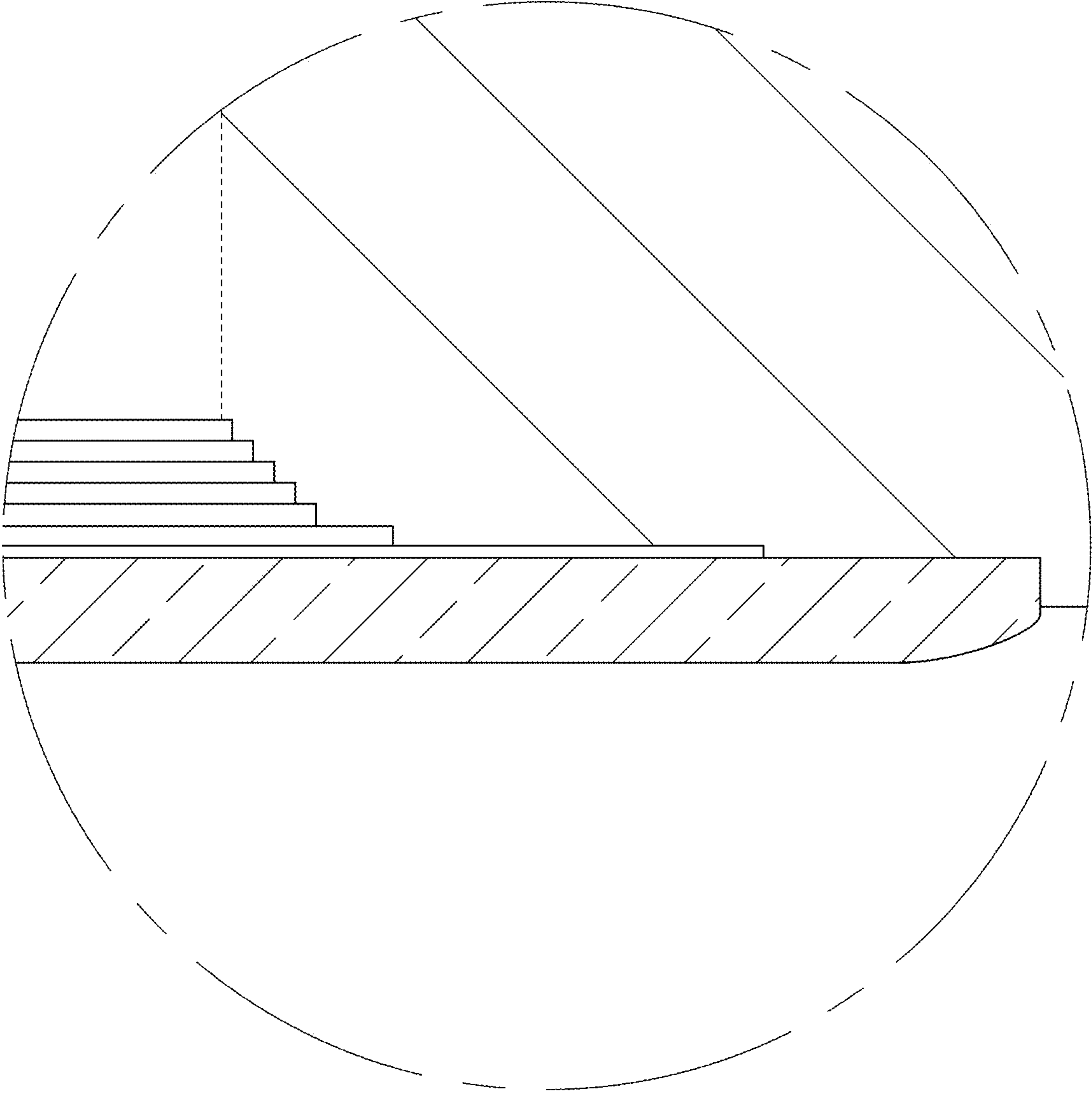


FIG. 9