



US00D967224S

(12) **United States Design Patent**
Saito

(10) **Patent No.:** **US D967,224 S**
(45) **Date of Patent:** **** Oct. 18, 2022**

(54) **INSTANT CAMERA**

FOREIGN PATENT DOCUMENTS

(71) Applicant: **FUJIFILM Corporation**, Tokyo (JP)

JP D1544453 * 2/2016
PH 3-2005-33-0001 * 1/2005

(72) Inventor: **Taiki Saito**, Tokyo (JP)

(73) Assignee: **FUJIFILM Corporation**, Tokyo (JP)

OTHER PUBLICATIONS

(**) Term: **15 Years**

(21) Appl. No.: **29/762,201**

“Canon PowerShot N 12.1 MP CMOS Digital Camera with 8x Optical Zoom and 28mm Wide-Angle Lens (White)” from Amazon.com first available Jan. 7, 2013 from the internet <https://www.amazon.com/Canon-PowerShot-Digital-Optical-Wide-Angle/dp/B00AWYN1O6/ref=sr_1_3?keywords=Canon%2BPowerShot%2BN&qid=1639066947&sr=8-3&th=1>(Year: 2013).*

(22) Filed: **Dec. 15, 2020**

“Fujifilm Instax Mini 90 Neo Classic Instant Film Camera” from Amazon.com first available Jun. 27, 2017 from the internet <https://www.amazon.com/Fujifilm-Instax-Mini-Neo-Classic/dp/B00FR85IRK/ref=psdc_291227_t1_B01MY785P6?th=1> (Year: 2017).*

(30) **Foreign Application Priority Data**

Jul. 10, 2020 (JP) 2020-014274 D

(Continued)

(51) **LOC (13) Cl.** **16-01**

Primary Examiner — Rosemary K Tarcza

(52) **U.S. Cl.**

Assistant Examiner — Lacey Chey Bowman

USPC **D16/200**

(74) *Attorney, Agent, or Firm* — Studebaker & Brackett PC

(58) **Field of Classification Search**

USPC D16/200, 202, 206, 208, 217, 218, 219, D16/209, 246

CPC G03B 15/03; G03B 15/05; G03B 17/02; G03B 2219/02; G03B 19/18; H04N 5/2251; H04N 5/2252; H04N 5/2253; H04N 5/2254; H04N 5/22525; H04N 5/23216; H04N 5/232939; H04N 2101/00; H04N 7/142

(57) **CLAIM**

The ornamental design for an instant camera, as shown and described.

See application file for complete search history.

DESCRIPTION

FIG. 1 is a perspective view of an instant camera, showing the new design;

FIG. 2 is a front view thereof;

FIG. 3 is a rear view thereof;

FIG. 4 is a right side view thereof;

FIG. 5 is a left side view thereof;

FIG. 6 is a top view thereof; and,

FIG. 7 is a bottom view thereof.

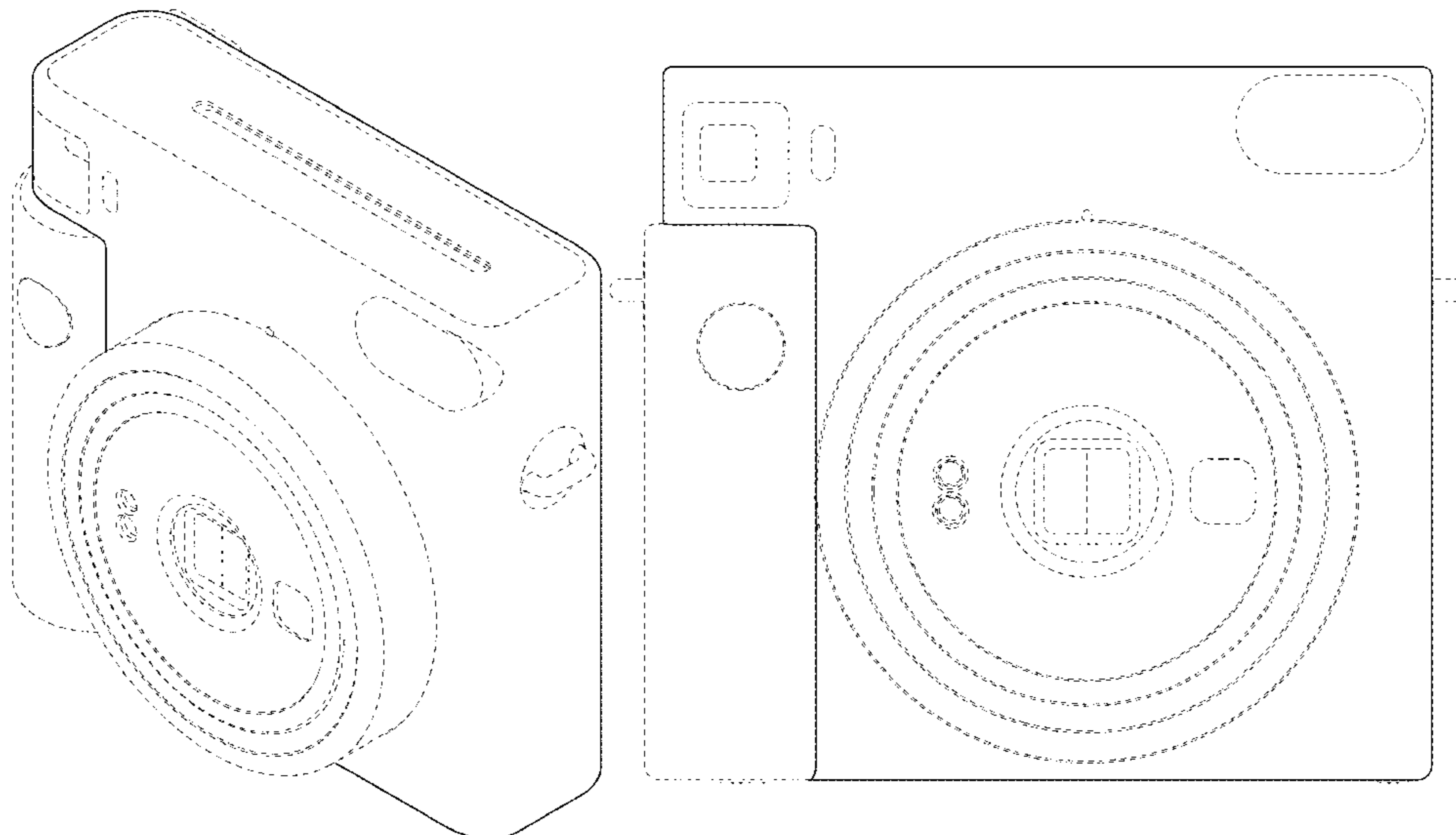
The evenly dashed broken lines shown in the drawings illustrate portions of the instant camera that form no part of the claimed design. The dot-and-dash broken lines define the bounds of the claimed design and form no part thereof.

(56) **References Cited**

U.S. PATENT DOCUMENTS

D473,251 S * 4/2003 Katayama D16/218
D709,543 S * 7/2014 Isozaki D16/218
D781,362 S * 3/2017 Ikegame D16/218
D834,084 S * 11/2018 Gredler D16/202
D848,510 S * 5/2019 Kamei D16/218
D848,512 S * 5/2019 Kamei D16/219
D870,178 S * 12/2019 Gan D16/202

1 Claim, 7 Drawing Sheets



(56)

References Cited

OTHER PUBLICATIONS

“Lomography Lomo’Instant Automat Bora Bora—Instant Film Camera” from Amazon.com first available Jun. 23, 2017 from the internet <https://www.amazon.com/Lomography-LomoInstant-Automat-Camera-Bora/dp/B01MY785P6/?tag=w050b-20&asc_campaign=&asc_source=&asc_refurl=https%3A%2F%2Fwww.wired.com%2Fgallery%2Fbest-instant-cameras&ascsubtag=5bcf93f16623400e6f91ad87> (Year: 2017).*

* cited by examiner

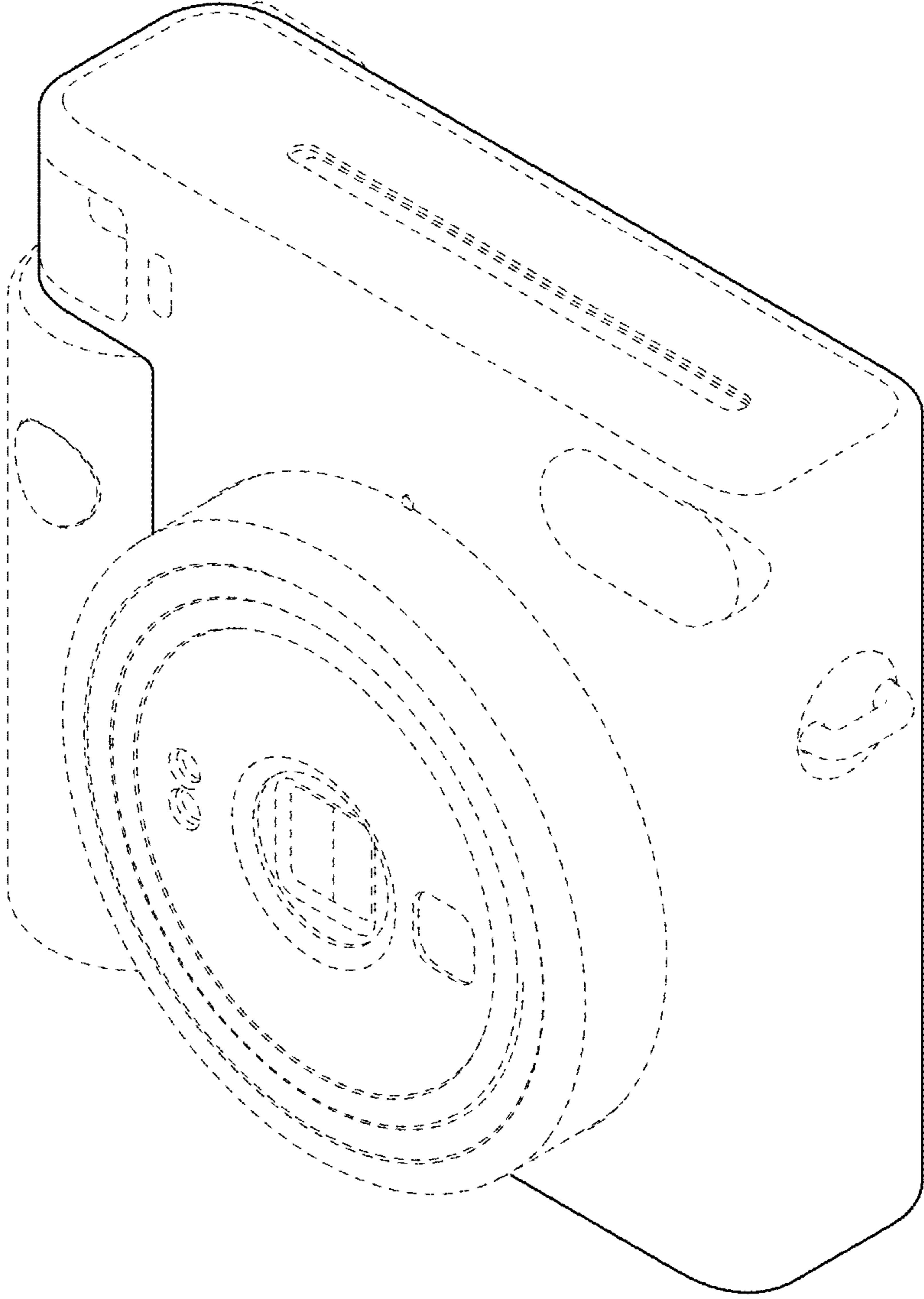


FIG. 1

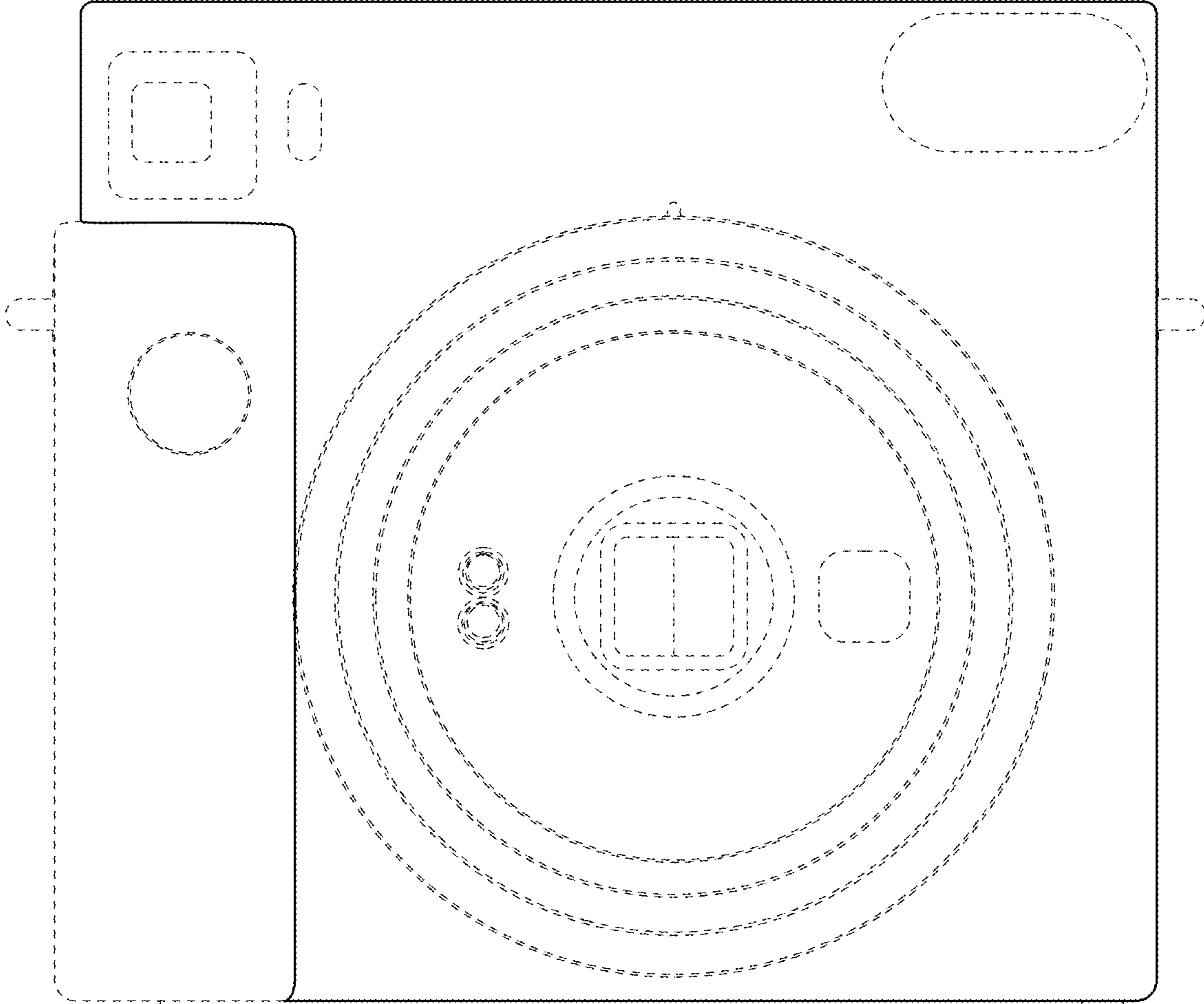


FIG. 2

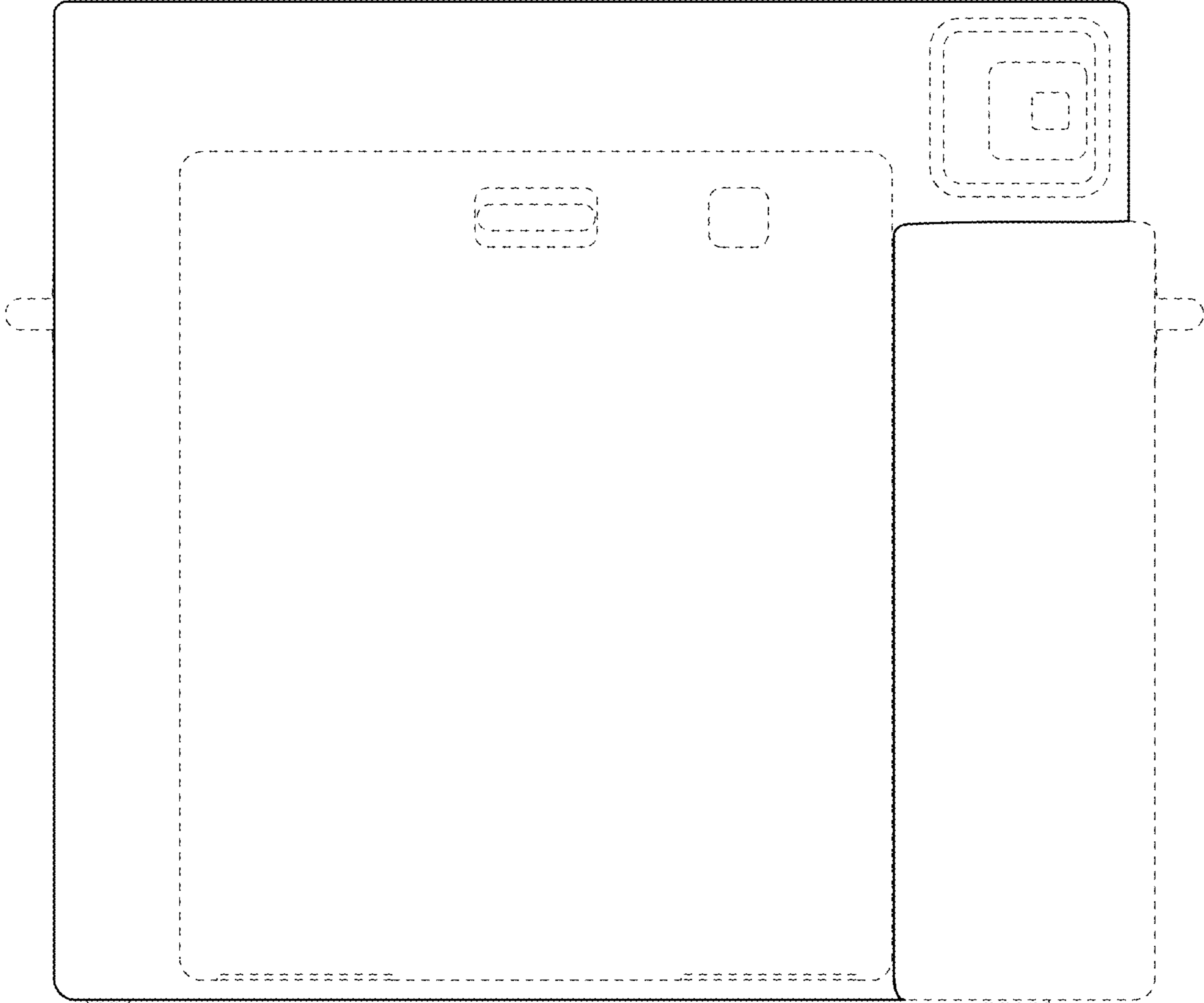


FIG. 3

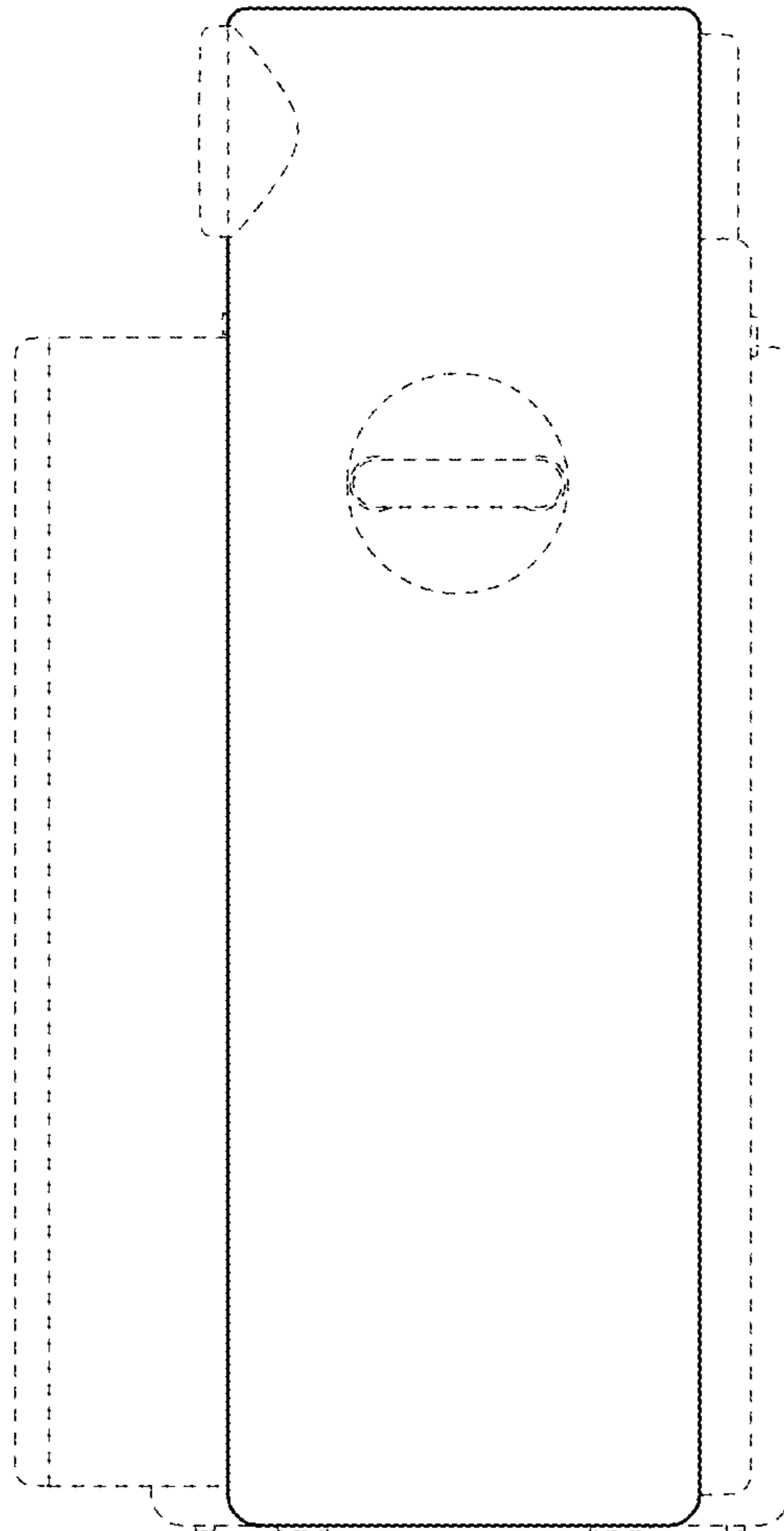


FIG. 4

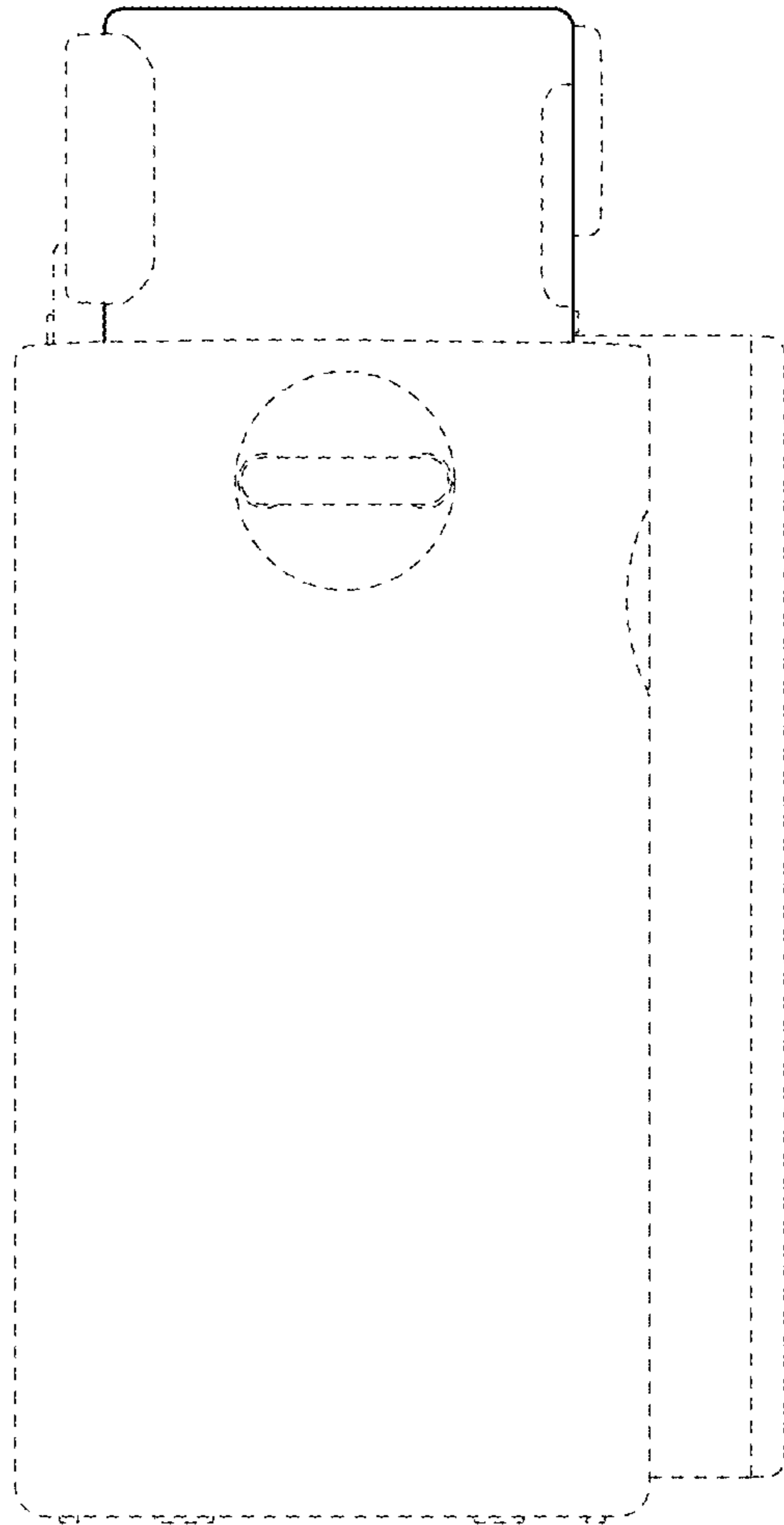


FIG. 5

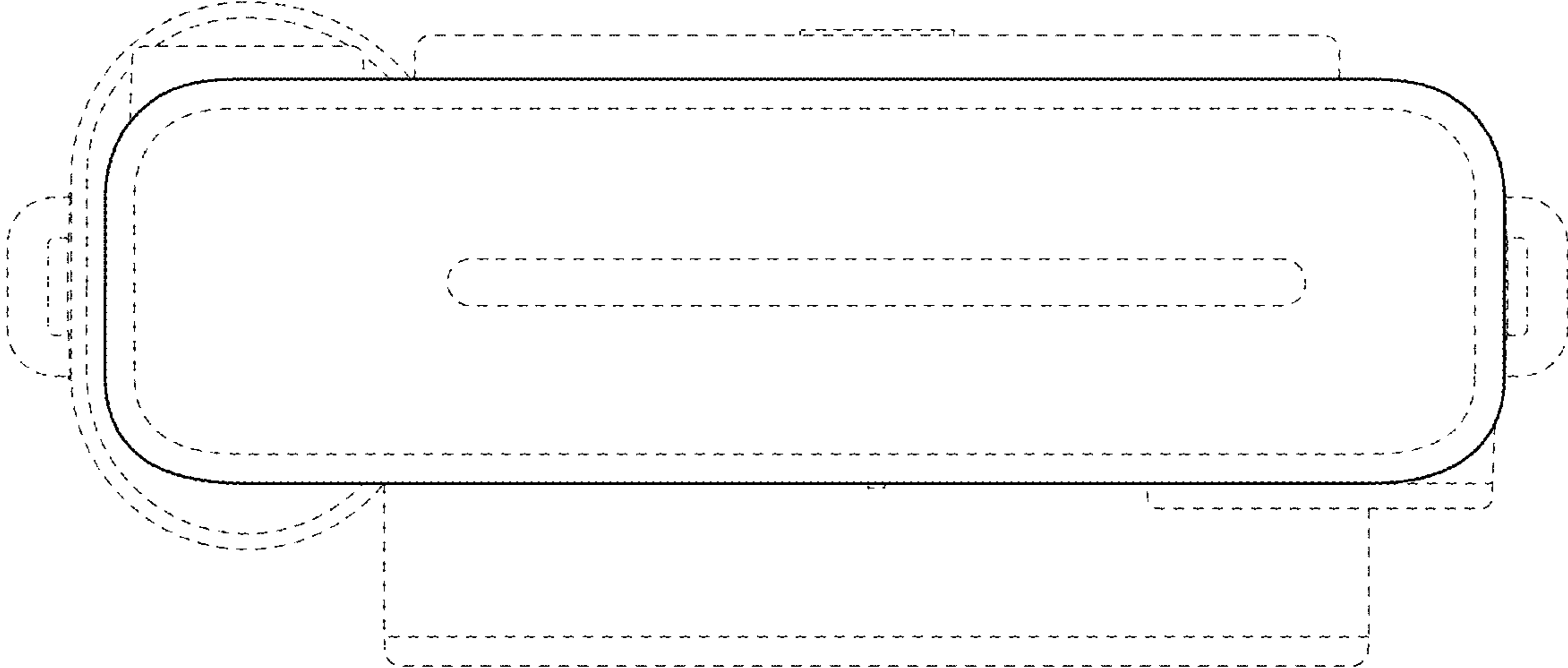


FIG. 6

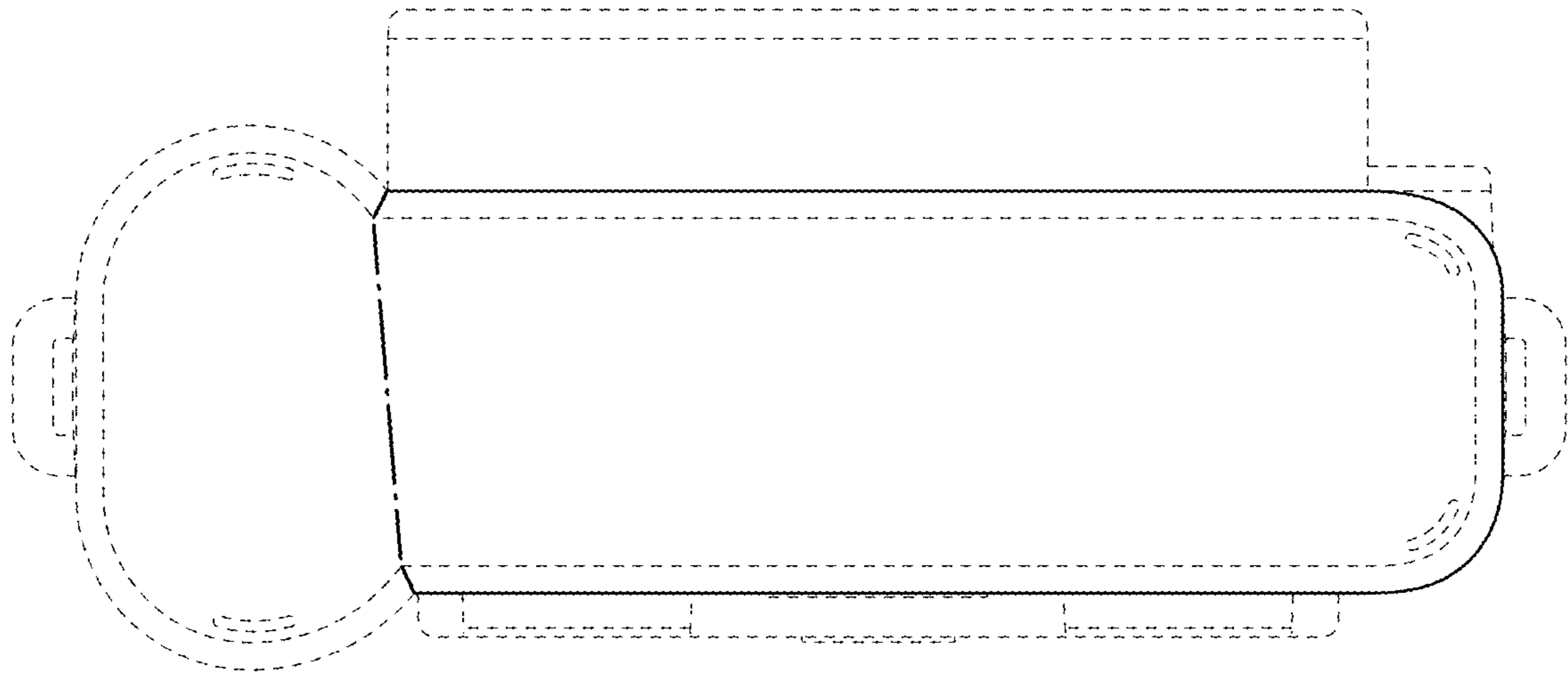


FIG. 7