

US00D967223S

(12) **United States Design Patent** (10) **Patent No.:** **US D967,223 S**
Schultze et al. (45) **Date of Patent:** **** Oct. 18, 2022**

(54) **MICROSCOPE**
(71) Applicant: **Idea Vault Holdings, Inc.**, Ashland, OR (US)
(72) Inventors: **David W Schultze**, Long Beach, CA (US); **Howard Allen Wilson, IV**, Medford, OR (US); **Michael E Munter**, Ashland, OR (US)
(73) Assignee: **Idea Vault Holdings, Inc.**, Ashland, OR (US)
(**) Term: **15 Years**
(21) Appl. No.: **29/751,407**
(22) Filed: **Sep. 21, 2020**
(51) **LOC (13) Cl.** **16-06**
(52) **U.S. Cl.**
USPC **D16/131**
(58) **Field of Classification Search**
USPC D16/131, 135, 136; D21/523, 483
CPC .. G02B 21/00; G02B 21/004; G02B 21/0008; G02B 21/008; G02B 21/0088; G02B 21/22; G02B 21/24
See application file for complete search history.

D748,176 S * 1/2016 Hofmann D16/131
D771,169 S * 11/2016 Weber D16/131
D785,690 S * 5/2017 Klein D16/131
D812,665 S * 3/2018 Klein D16/131
D872,789 S * 1/2020 Haavisto D16/131
2006/0198019 A1* 9/2006 Pomerantz G02B 21/0016 359/368

OTHER PUBLICATIONS

National Geographic Microscope for Kids, https://www.amazon.com/NATIONAL-GEOGRAPHIC-Microscope-Kids-Easy/dp/B09B83233H/ref=asc_df_B09B83233H/?, Jul. 30, 2021 (Year: 2021).*
(Continued)

Primary Examiner — Richard Kearney
Assistant Examiner — Benjamin M Weeks
(74) *Attorney, Agent, or Firm* — Salpi Dunlap

(57) **CLAIM**

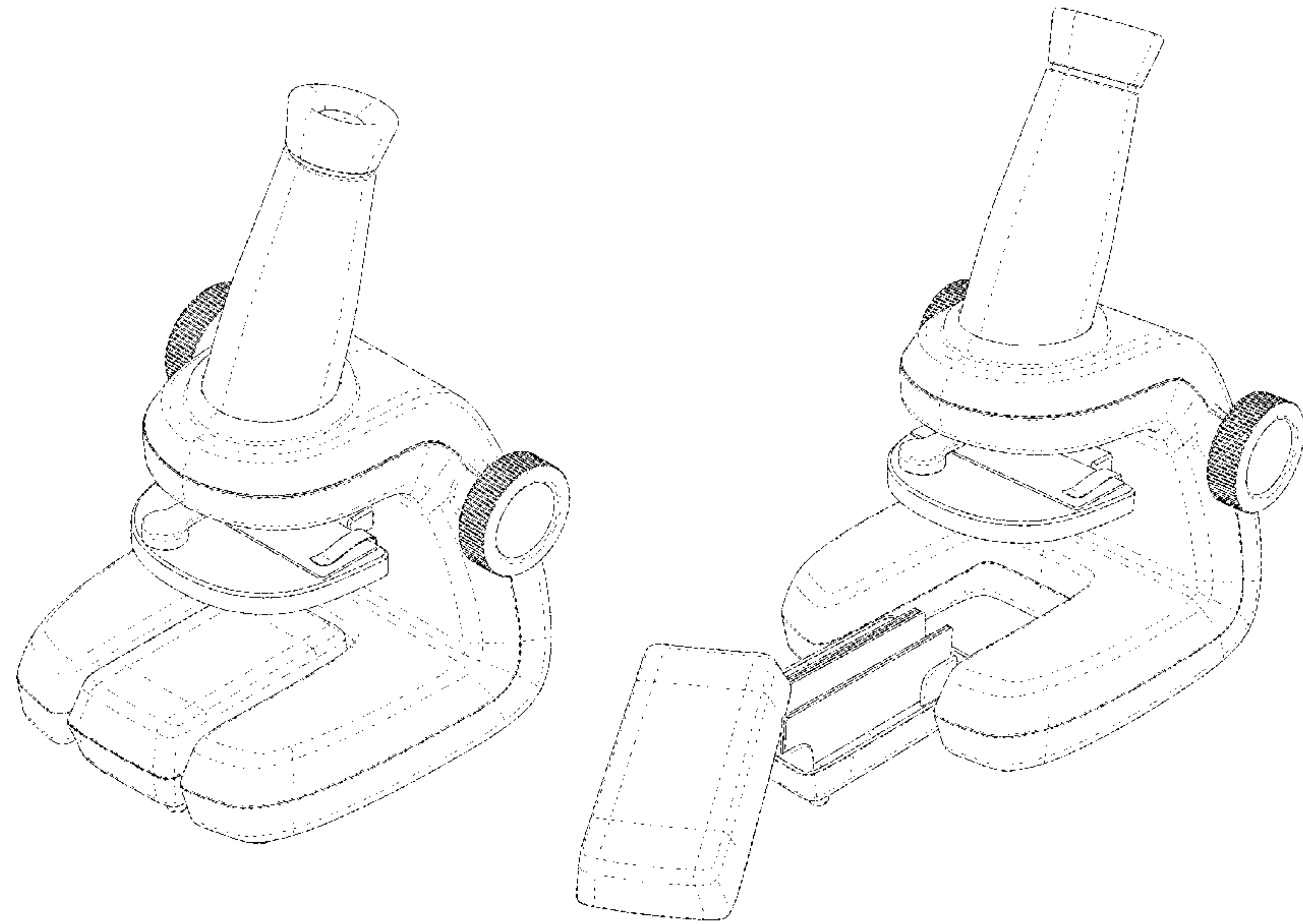
We claim the ornamental design for a microscope, as shown and described.

DESCRIPTION

FIG. 1 is a top perspective view of a microscope;
FIG. 2 is a bottom front perspective view of the microscope of FIG. 1;
FIG. 3 is a right plan view of the microscope of FIG. 1; the opposing side being a mirror image;
FIG. 4 is a front plan view of the microscope of FIG. 1;
FIG. 5 is a top plan view of the microscope of FIG. 1;
FIG. 6 is a bottom plan view of the microscope of FIG. 1;
FIG. 7 is a rear perspective view of the microscope of FIG. 1;
FIG. 8 is a bottom rear perspective view of the microscope of FIG. 1; and,
FIG. 9 is a front perspective view of the microscope showing a removable slide tray in a state of use.

1 Claim, 9 Drawing Sheets

(56) **References Cited**
U.S. PATENT DOCUMENTS
D401,976 S * 12/1998 Wong D21/483
D425,921 S * 5/2000 Holbl D16/131
D428,030 S * 7/2000 Konno D16/131
D444,159 S * 6/2001 Hoelbl D16/131
D503,945 S * 4/2005 Kung D16/131
D509,232 S * 9/2005 Yeung D16/131
D525,636 S * 7/2006 Apotheloz D16/131
D592,689 S * 5/2009 Dunn D16/131
D601,178 S * 9/2009 Apotheloz D16/131
D673,199 S * 12/2012 Muraki D16/131
D743,463 S * 11/2015 Hofmann D16/131



(56)

References Cited

OTHER PUBLICATIONS

Educational Insights GeoSafari Jr. My First Microscope, Amazon.com printout retrieved from https://www.amazon.com/dp/B084GF25G6/ref=cm_sw_em_r_mt_dp_V20HFbQ9MZMP5.

AMSCOPE Kids Beginner Microscope, Amazon.com printout retrieved from https://www.amazon.com/dp/B00GGY85EC/ref=cm_sw_em_r_mt_dp_J80HFbYX9BS7T.

TELMU Kids Beginner Microscope, Amazon.com printout retrieved from https://www.amazon.com/dp/B07DQKJNZ/ref=cm_sw_em_r_mt_dp_Nq1HFbF136D1F.

National Geographic Student Microscope, Amazon.com printout retrieved from https://www.amazon.com/dp/B01ICAU41E/ref=cm_sw_em_r_mt_dp_Ct1HFb1FD7ZE1.

National Geographic Compact Hand-held Microscope, Optics-pro.com printout retrieved from <https://www.optics-pro.com/hand-held-microscopes/national-geographic-compact-hand-held-microscope/p,52347>.

Educational Insights Nancy B's Science Club Microscope, Amazon.com printout retrieved from https://www.amazon.com/dp/B00B1Z6EXU/ref=cm_sw_em_r_mt_dp_si3HFb5TBWY7R.

BRESSER Stereo Microscope, Bresser.de printout retrieved from <https://www.bresser.de/en/Junior/Microscopy/Stereo-Microscope.html>.

LEVENHUK LabZZ M101 Azure Microscope for Kids, Amazon.com printout retrieved from https://www.amazon.com/Levenhuk-LabZZ-Azure-Microscope-Experiment/dp/B01K4NAOQW/ref=sr_1_1?dchild=1 &keywords=Levenhuk+LabZZ+M101+Azure+Microscope&qid=1603742164&sr=8-1.

* cited by examiner

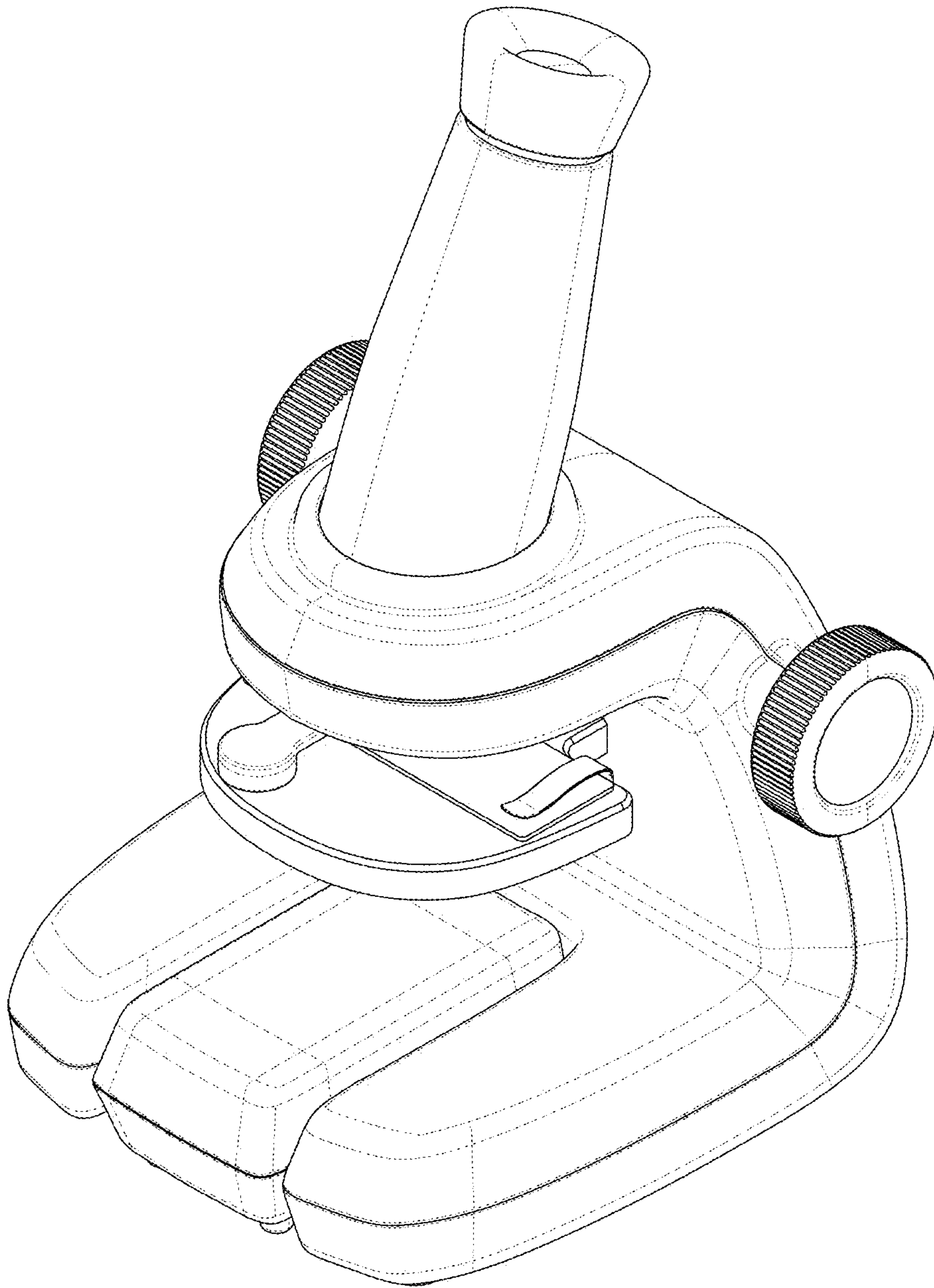


Fig. 1

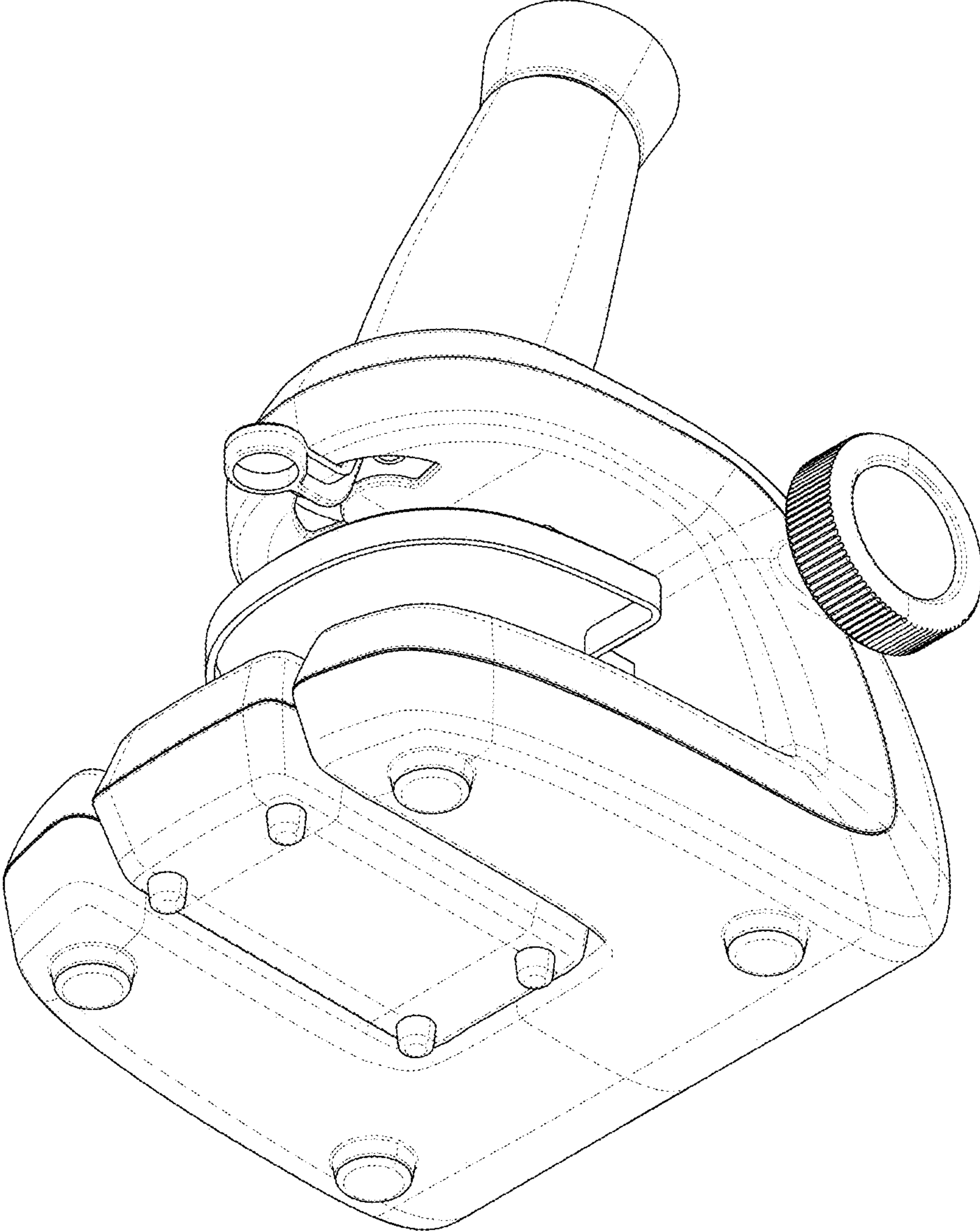


Fig. 2

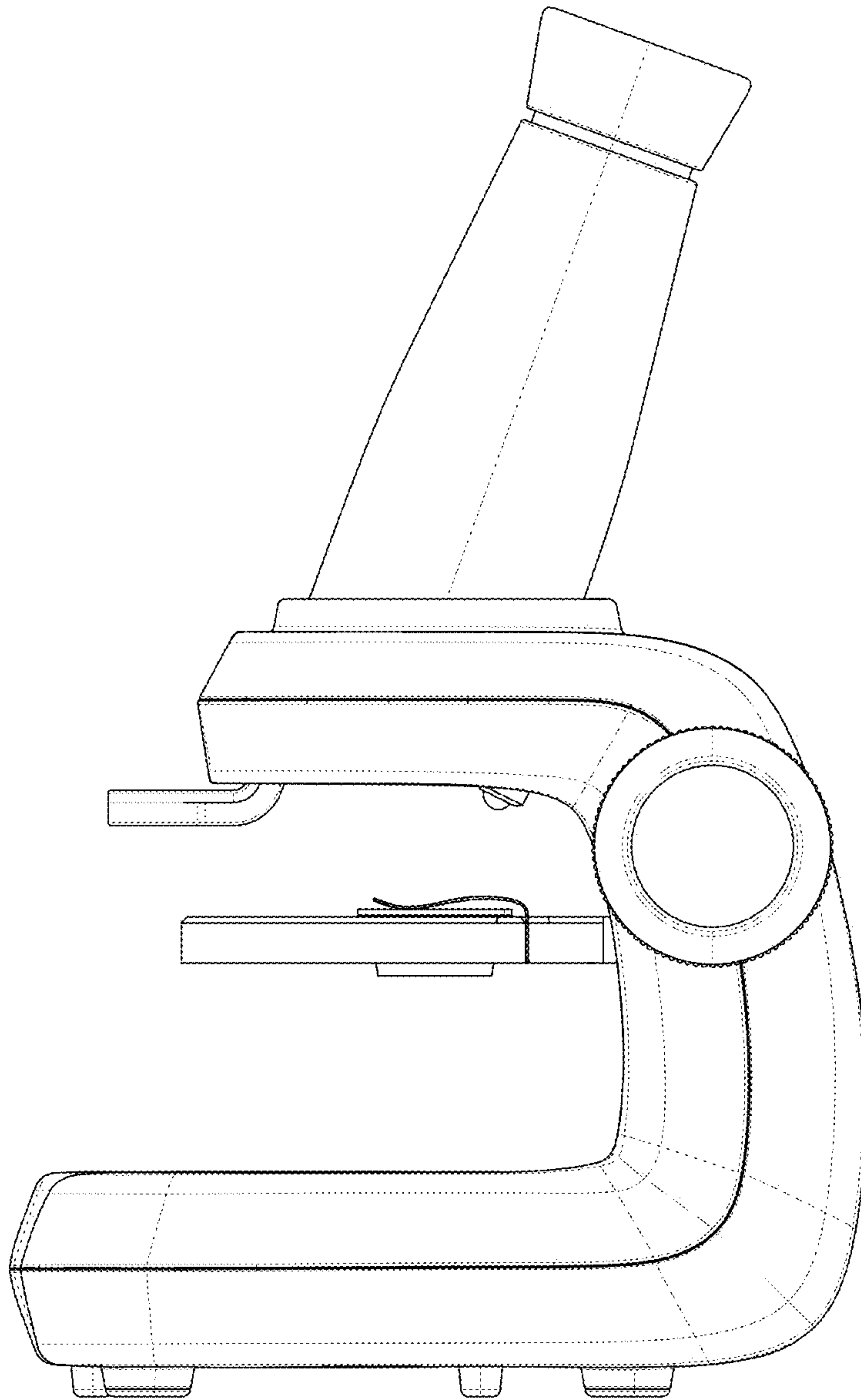


Fig. 3

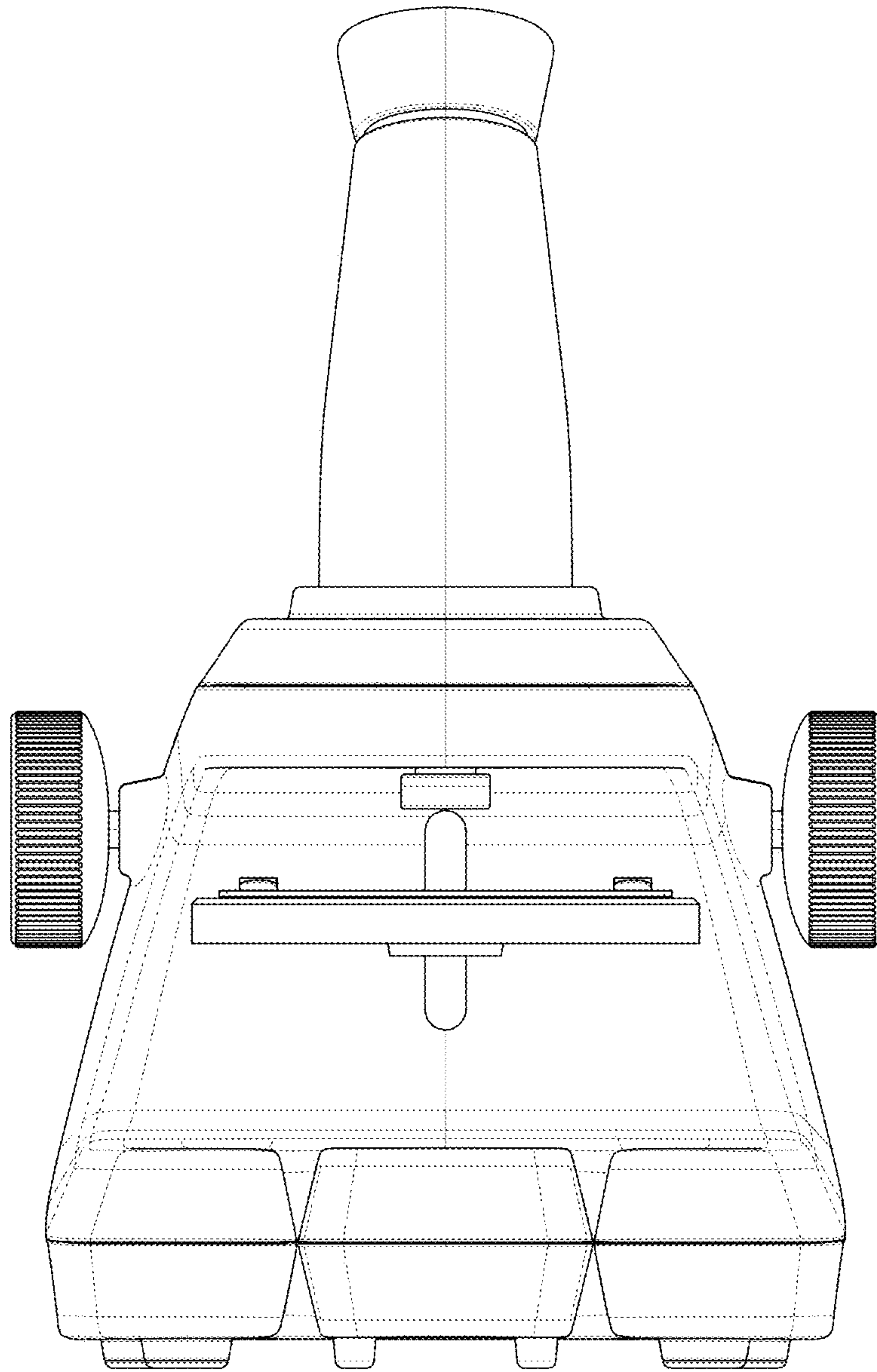


Fig. 4

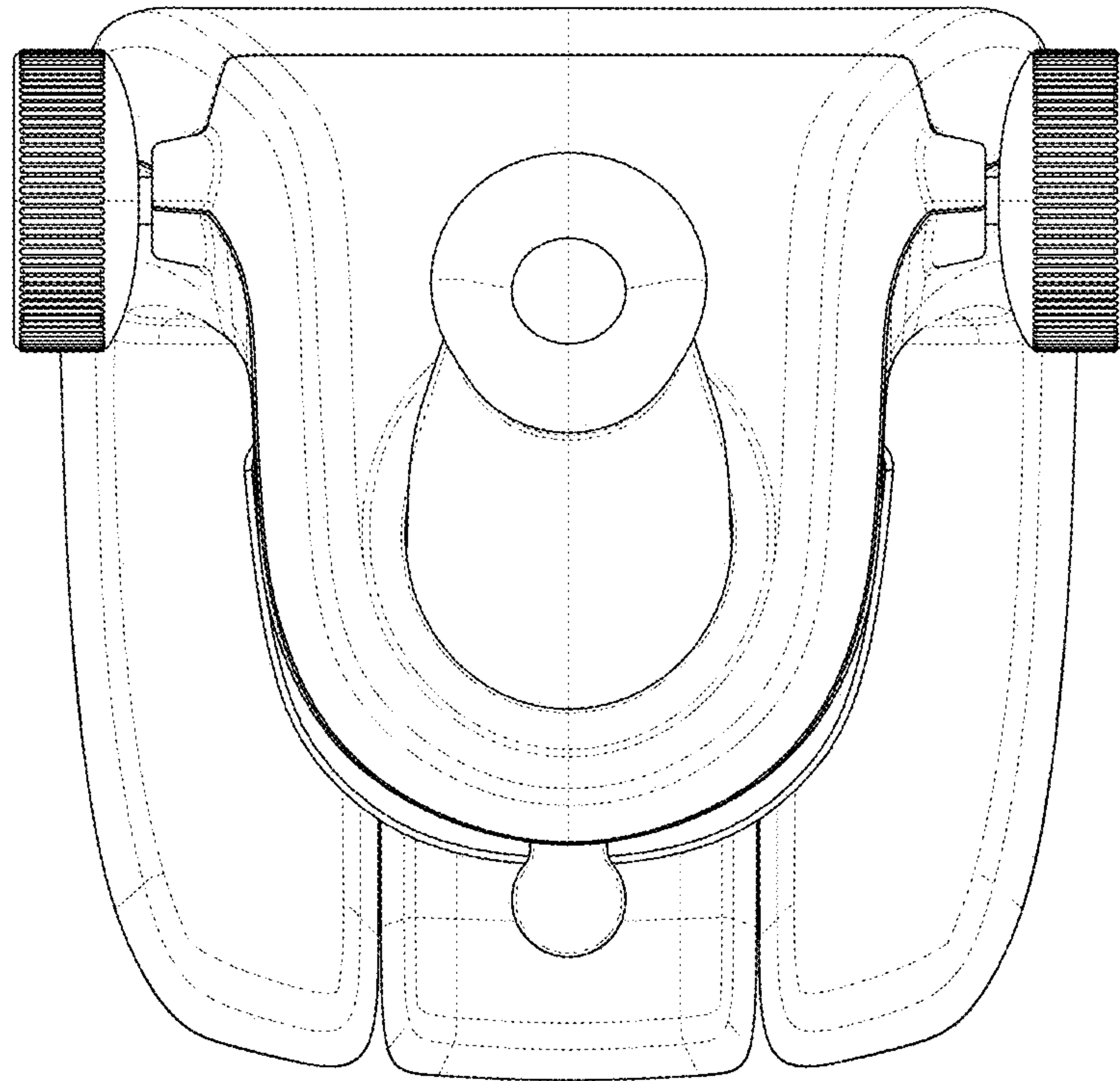


Fig. 5

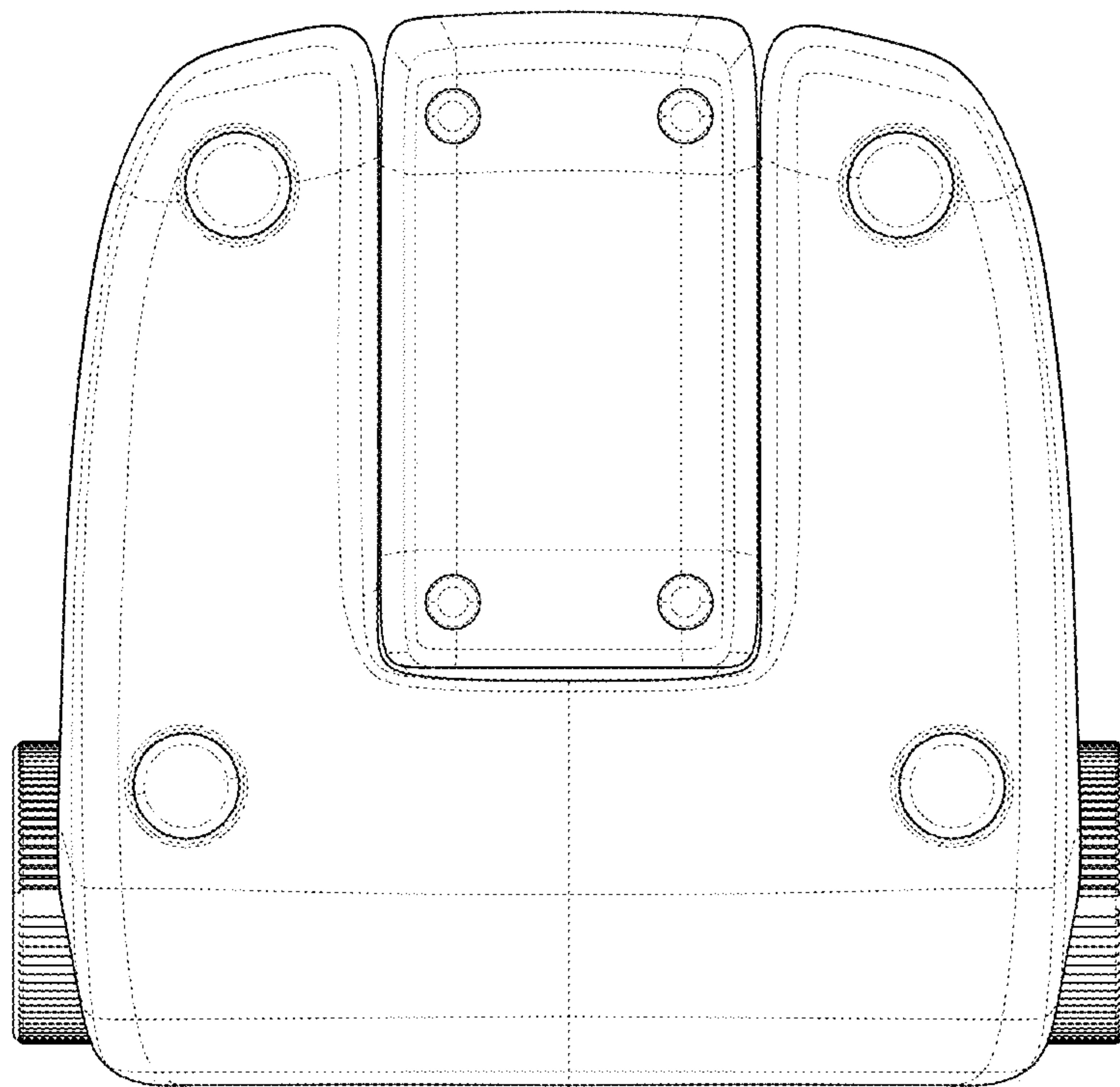


Fig. 6

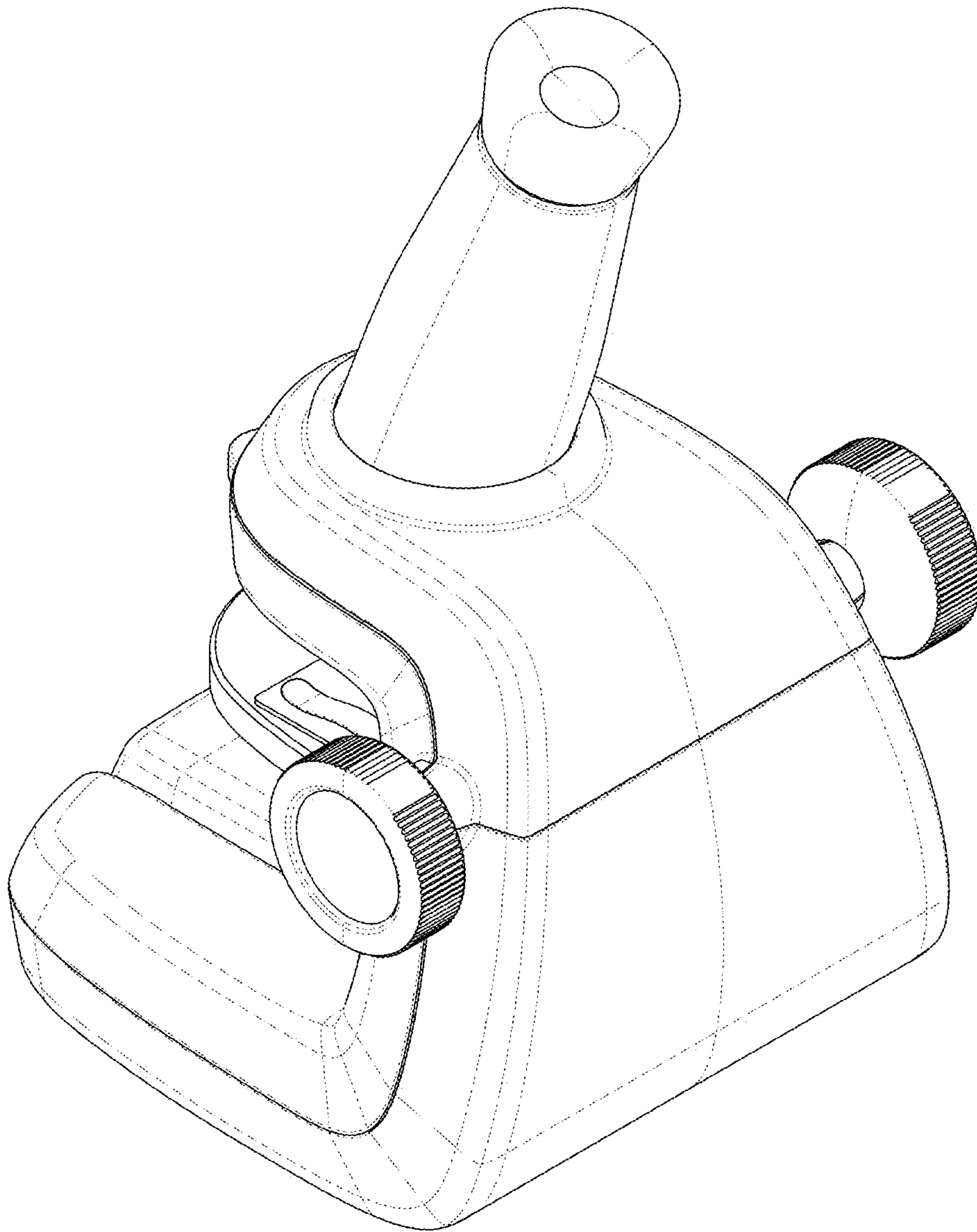


Fig. 7

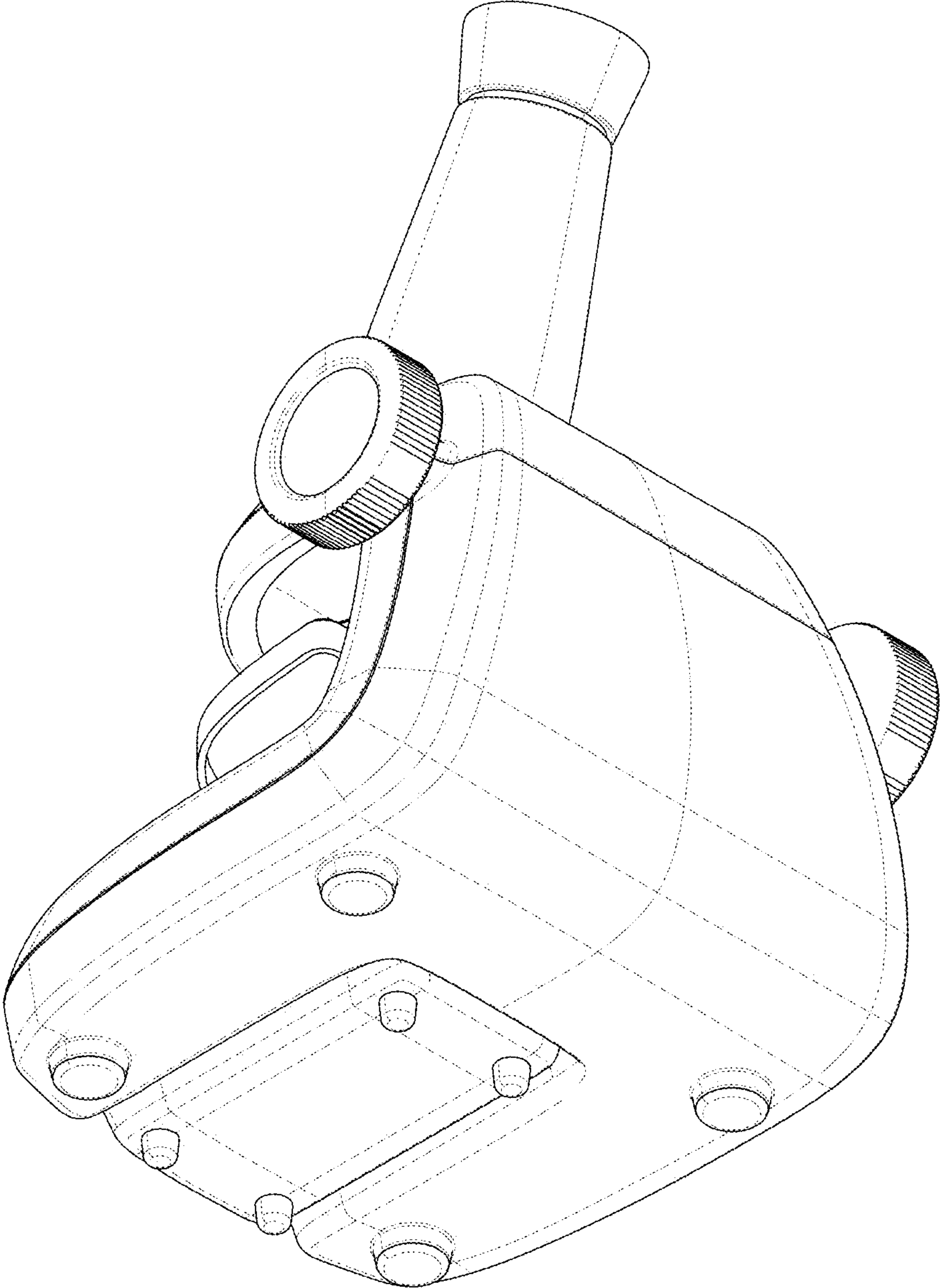


Fig. 8

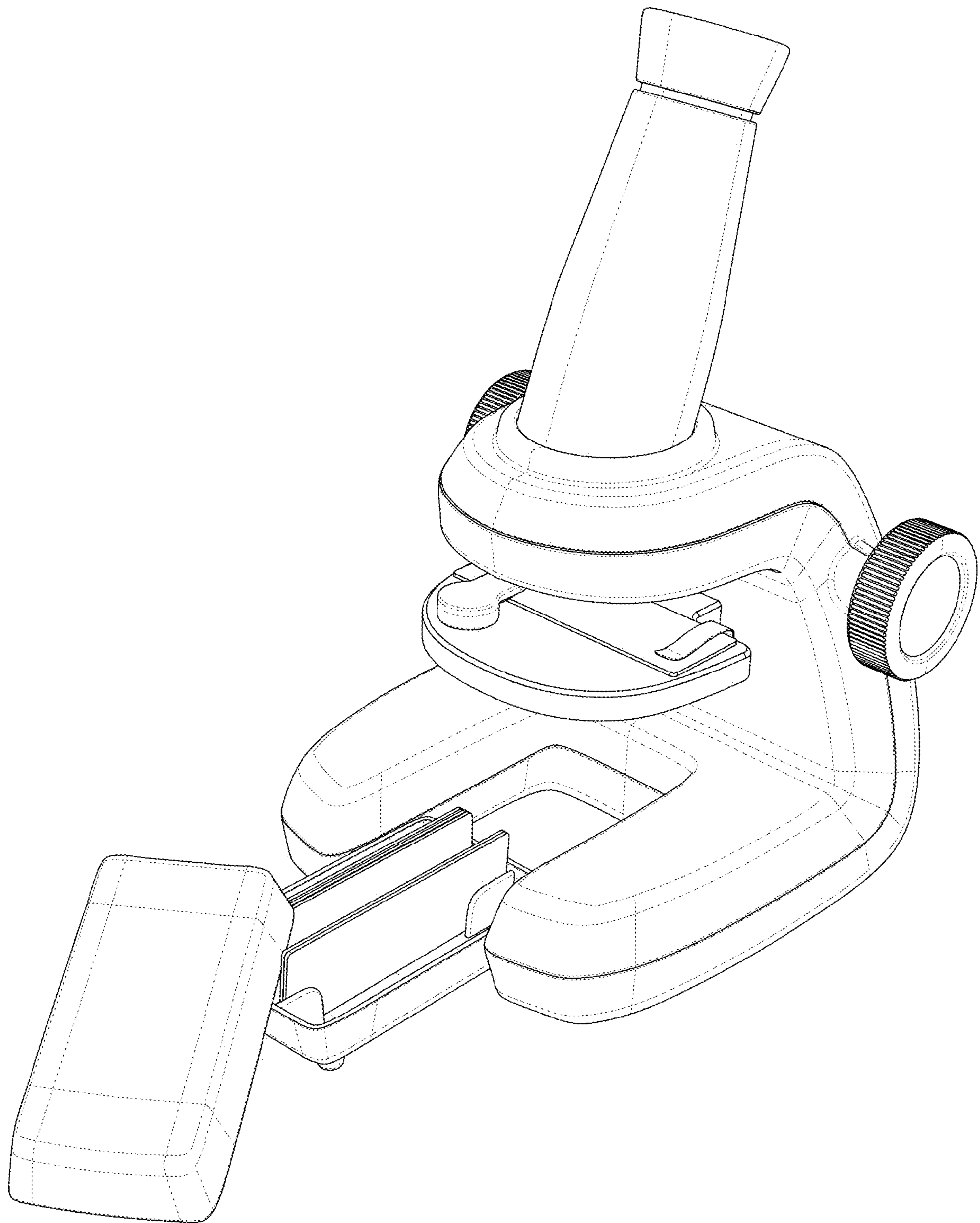


Fig. 9