

US00D967222S

(12) **United States Design Patent** (10) **Patent No.:** **US D967,222 S**
Li (45) **Date of Patent:** **** Oct. 18, 2022**

- (54) **WATCH WINDER**
- (71) Applicant: **TURNING P TRADING CO., LTD.,**
Sy (GB)
- (72) Inventor: **Ye Li, Guangzhou (CN)**
- (73) Assignee: **TURNING P TRADING CO., LTD.,**
Sy (GB)
- (**) Term: **15 Years**
- (21) Appl. No.: **29/844,584**
- (22) Filed: **Jun. 29, 2022**
- (51) **LOC (13) Cl.** **15-99**
- (52) **U.S. Cl.**
USPC **D15/199**
- (58) **Field of Classification Search**
USPC D3/273-294, 298; D9/414, 418, 420,
D9/421, 423, 431-432; D15/199
CPC ... G04B 5/00; G04B 5/04; G04D 7/00; G04D
7/009
See application file for complete search history.

- D658,696 S * 5/2012 Au D15/199
- 8,714,813 B2 * 5/2014 Liao H02J 50/10
320/108
- D707,118 S * 6/2014 Au D9/418
- D781,944 S * 3/2017 Lee D15/199
- D827,432 S * 9/2018 Akana D9/756
- D873,660 S * 1/2020 Akana D9/756
- D886,879 S * 6/2020 Liu D15/199
- D886,880 S * 6/2020 Liu D15/199
- D901,165 S * 11/2020 Adatte D9/420
- D905,144 S * 12/2020 Liang D15/199
- D905,773 S * 12/2020 Liang D15/199
- D930,059 S * 9/2021 Huang D15/199

(Continued)

Primary Examiner — Patricia A Palasik
(74) Attorney, Agent, or Firm — ScienBiziP, P.C.

(57) **CLAIM**

The ornamental design for a watch winder, as shown and described.

DESCRIPTION

FIG. 1 is a front, right and top perspective view of a watch winder, showing my design.
FIG. 2 is a rear, left and bottom perspective view thereof.
FIG. 3 is a front elevation view thereof.
FIG. 4 is a rear elevation view thereof.
FIG. 5 is a left side elevation view thereof.
FIG. 6 is a right side elevation view thereof.
FIG. 7 is a top plan view thereof.
FIG. 8 is a bottom plan view thereof; and,
FIG. 9 is a partial enlarged view of an area labeled 9 in FIG. 1.

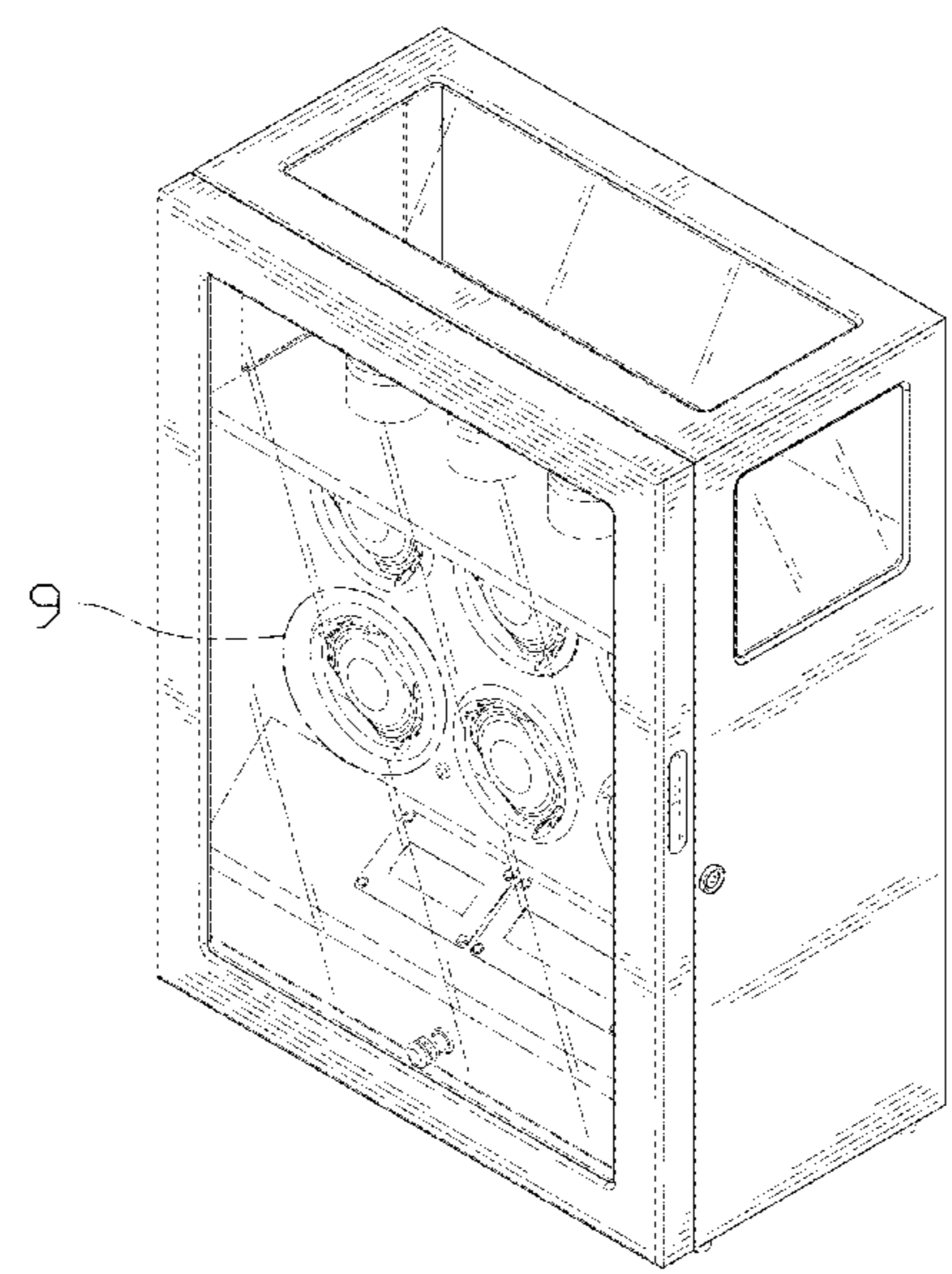
The broken lines shown in the drawings are included for the purpose of illustrating portions of the watch winder that form no part of the claimed design. In addition, the dot-dash broken lines in FIGS. 1 and 9 depict the boundaries of the enlargements that form no part of the claimed design.

1 Claim, 9 Drawing Sheets

(56) **References Cited**

U.S. PATENT DOCUMENTS

- 5,608,693 A * 3/1997 Richards B01F 31/26
368/10
- 5,988,871 A * 11/1999 Bonnet G04B 3/006
81/7.5
- D452,256 S * 12/2001 Wolf D15/199
- D507,709 S * 7/2005 Au D9/418
- D512,448 S * 12/2005 Christianson D15/199
- D514,848 S * 2/2006 Au D3/294
- D517,351 S * 3/2006 Frey D6/675.1
- 7,530,733 B2 * 5/2009 Louie G04D 7/009
81/7.5
- 7,575,367 B2 * 8/2009 Wolf, V G04D 7/009
81/7.5
- 7,927,009 B2 * 4/2011 Huang G04D 7/009
439/701



(56)

References Cited

U.S. PATENT DOCUMENTS

D931,923	S	*	9/2021	Huang	D15/199
D931,924	S	*	9/2021	Huang	D15/199
D932,532	S	*	10/2021	Huang	D15/199
D939,005	S	*	12/2021	Huang	D15/199
D952,722	S		5/2022	Huang		
D952,723	S		5/2022	Huang		
2005/0254352	A1	*	11/2005	Wolf, V	G04D 7/009 368/206
2005/0265129	A1	*	12/2005	Agnoff	G04B 3/006 368/206
2007/0223319	A1	*	9/2007	Hill	G04D 7/009 368/206
2010/0165798	A1	*	7/2010	Huang	G04D 7/009 368/206
2015/0143957	A1	*	5/2015	Liao	G04D 7/009 81/7.5

* cited by examiner

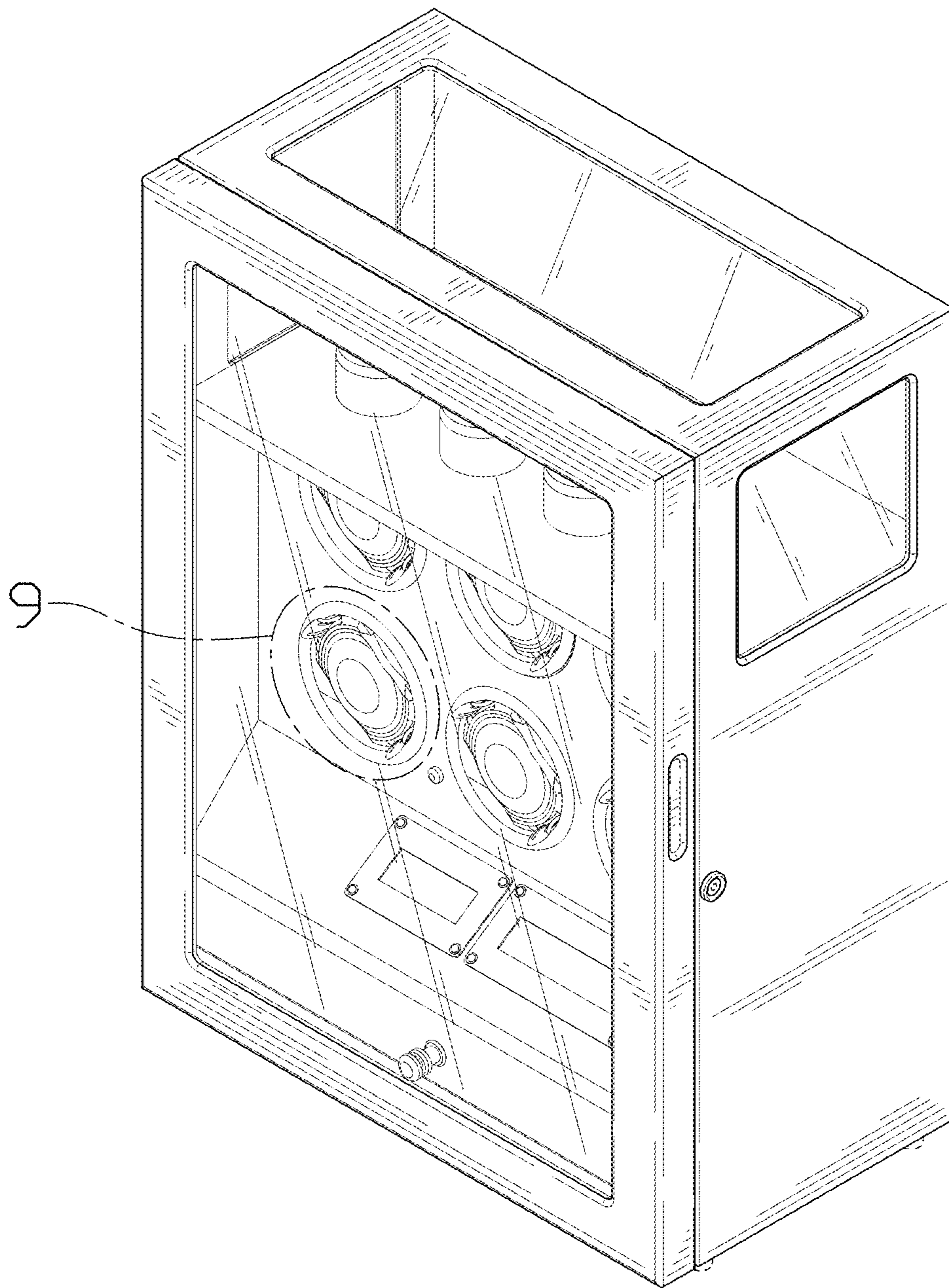


FIG. 1

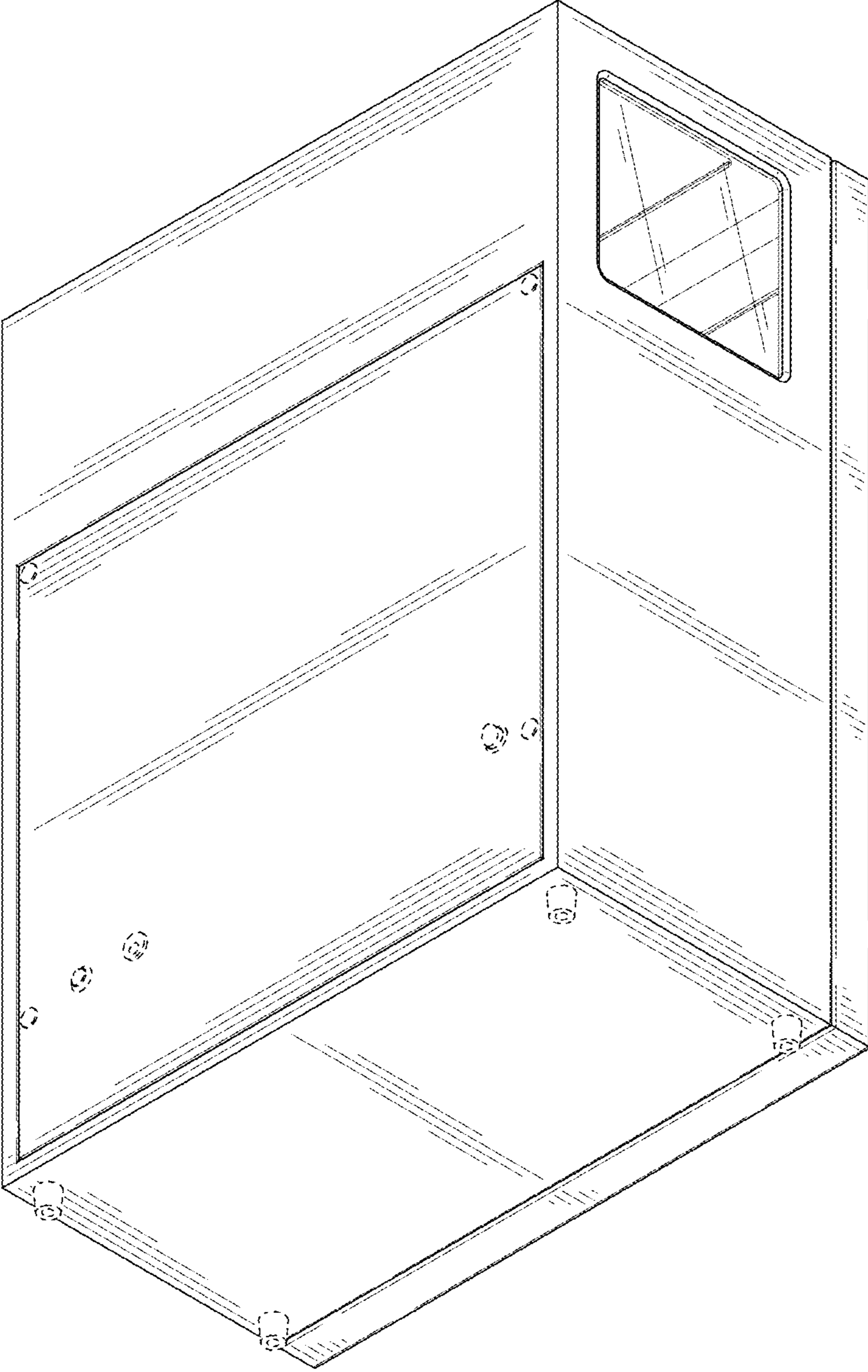


FIG. 2

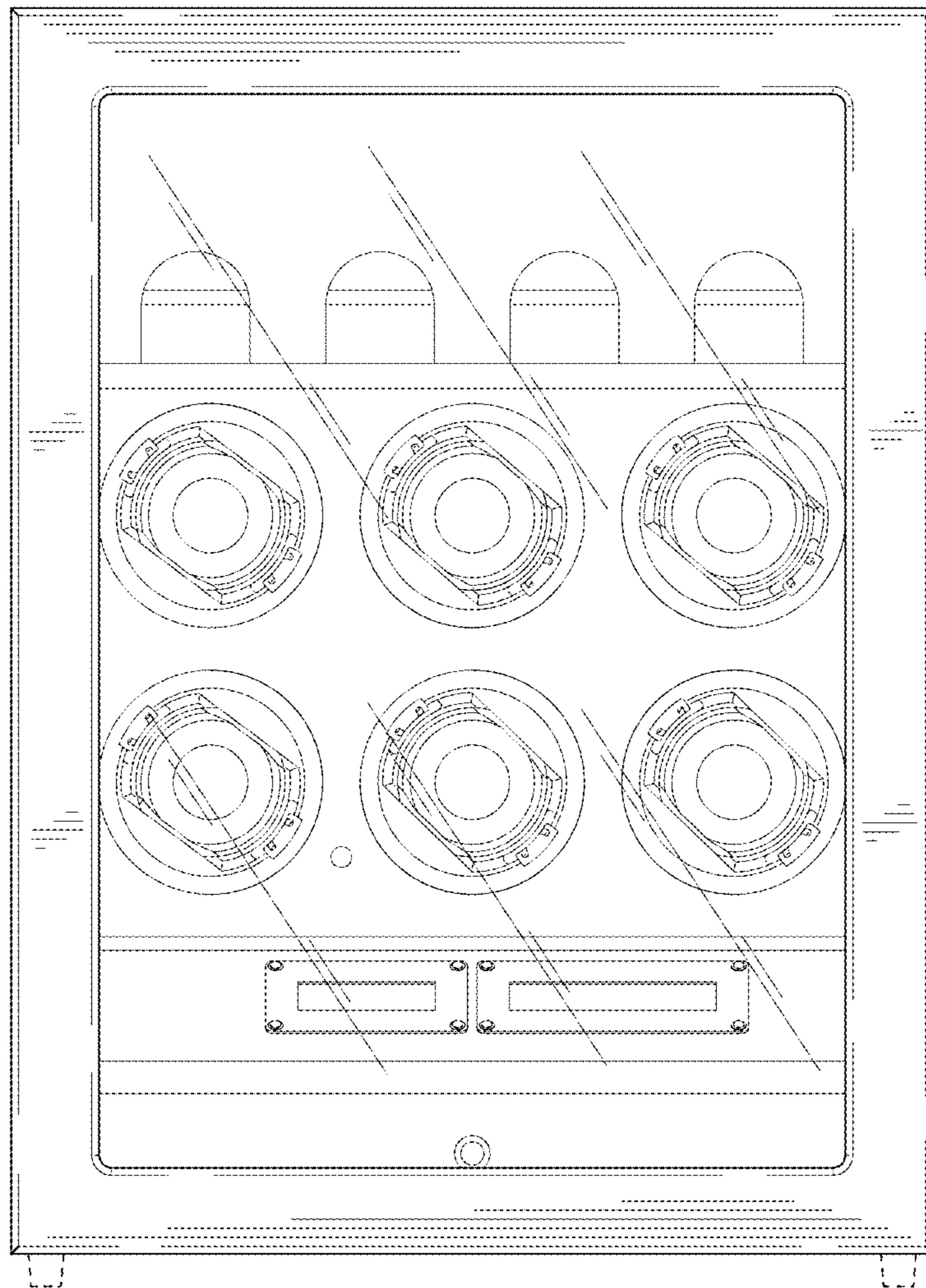


FIG. 3

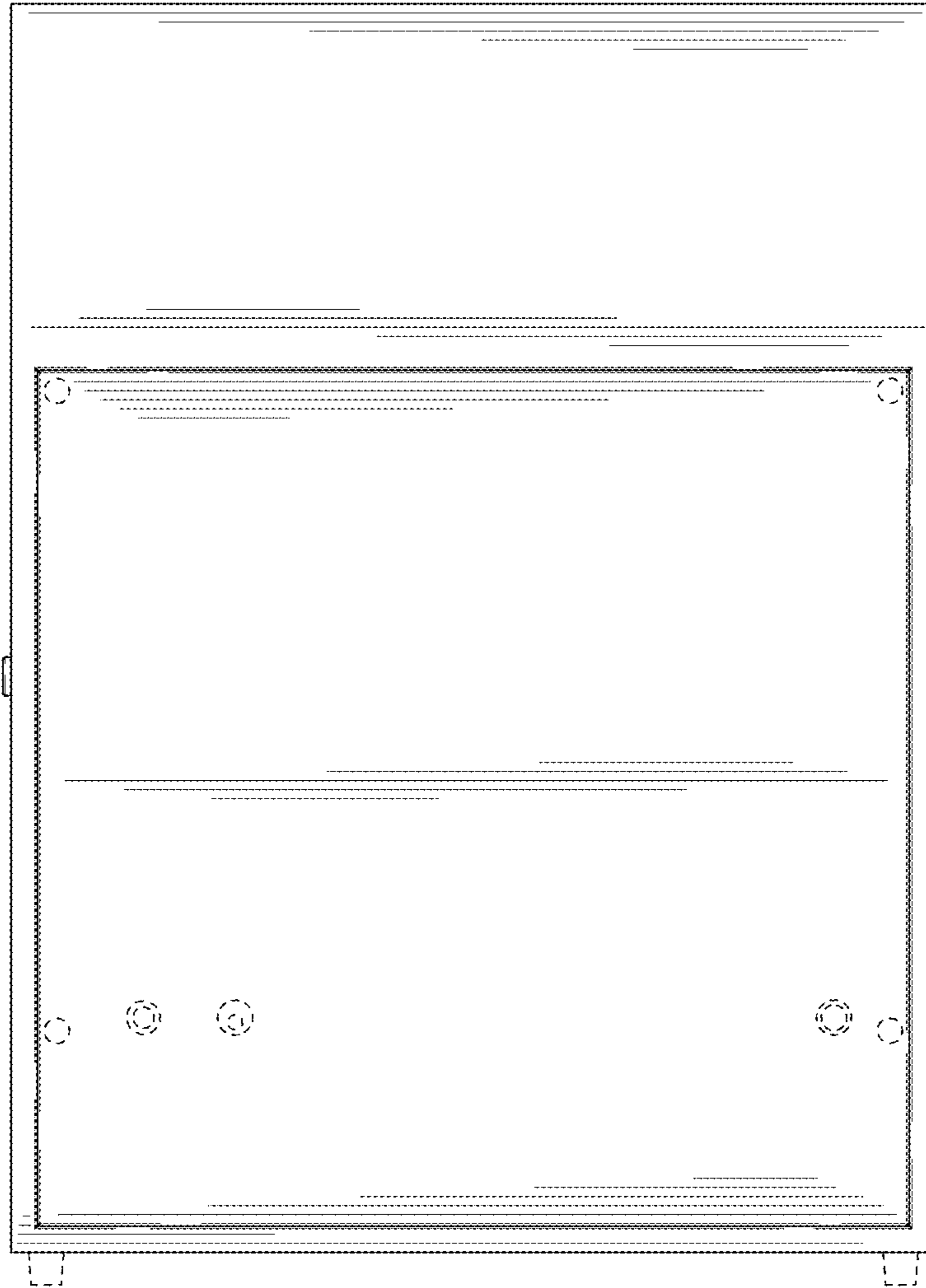


FIG. 4

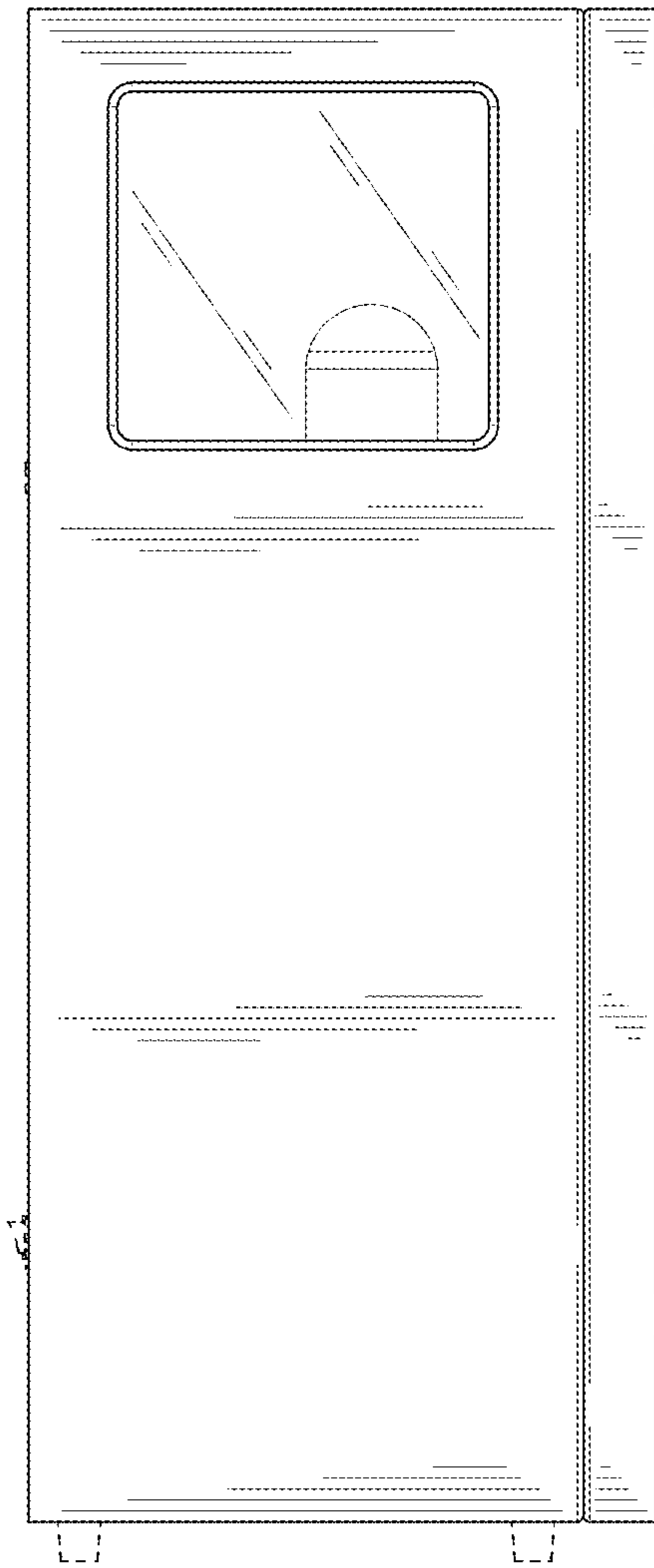


FIG. 5

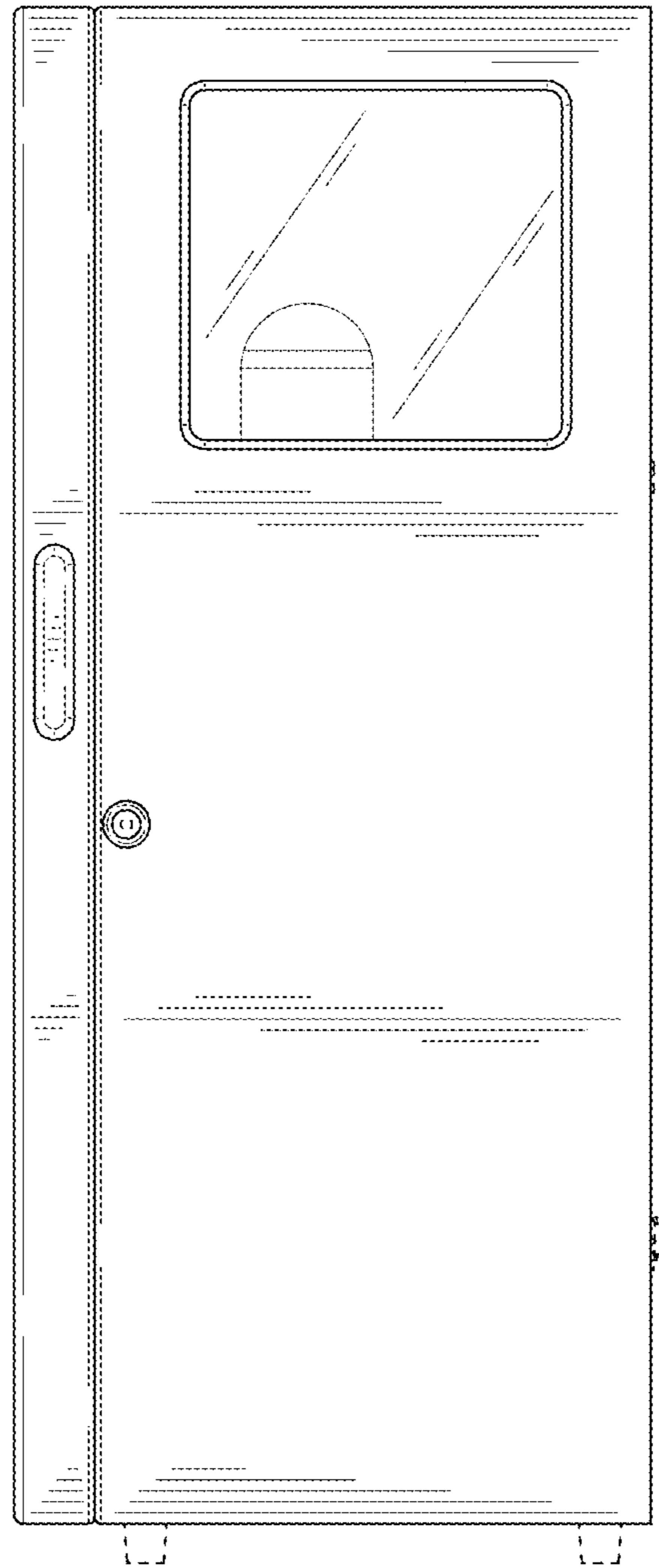


FIG. 6

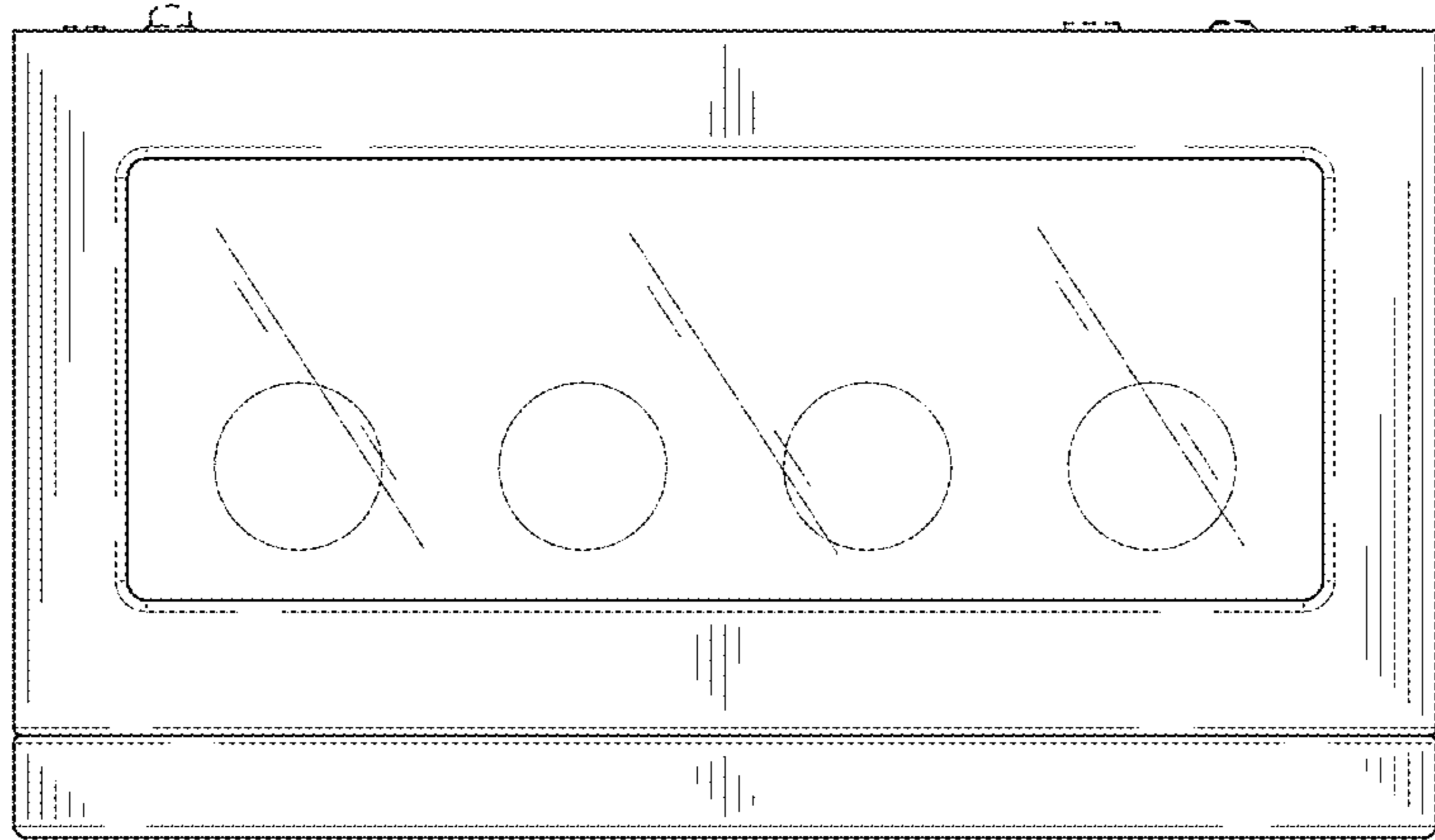


FIG. 7

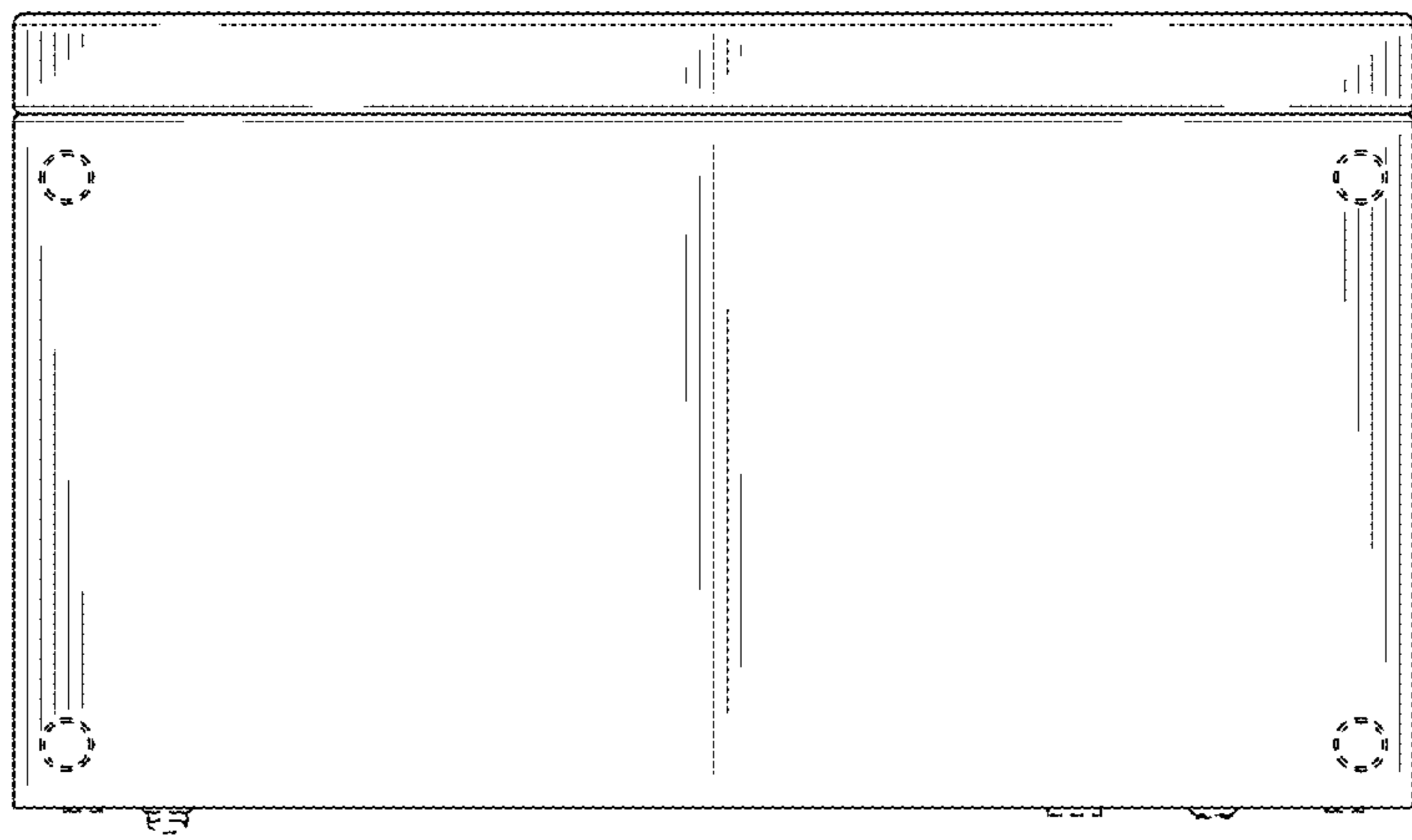


FIG. 8

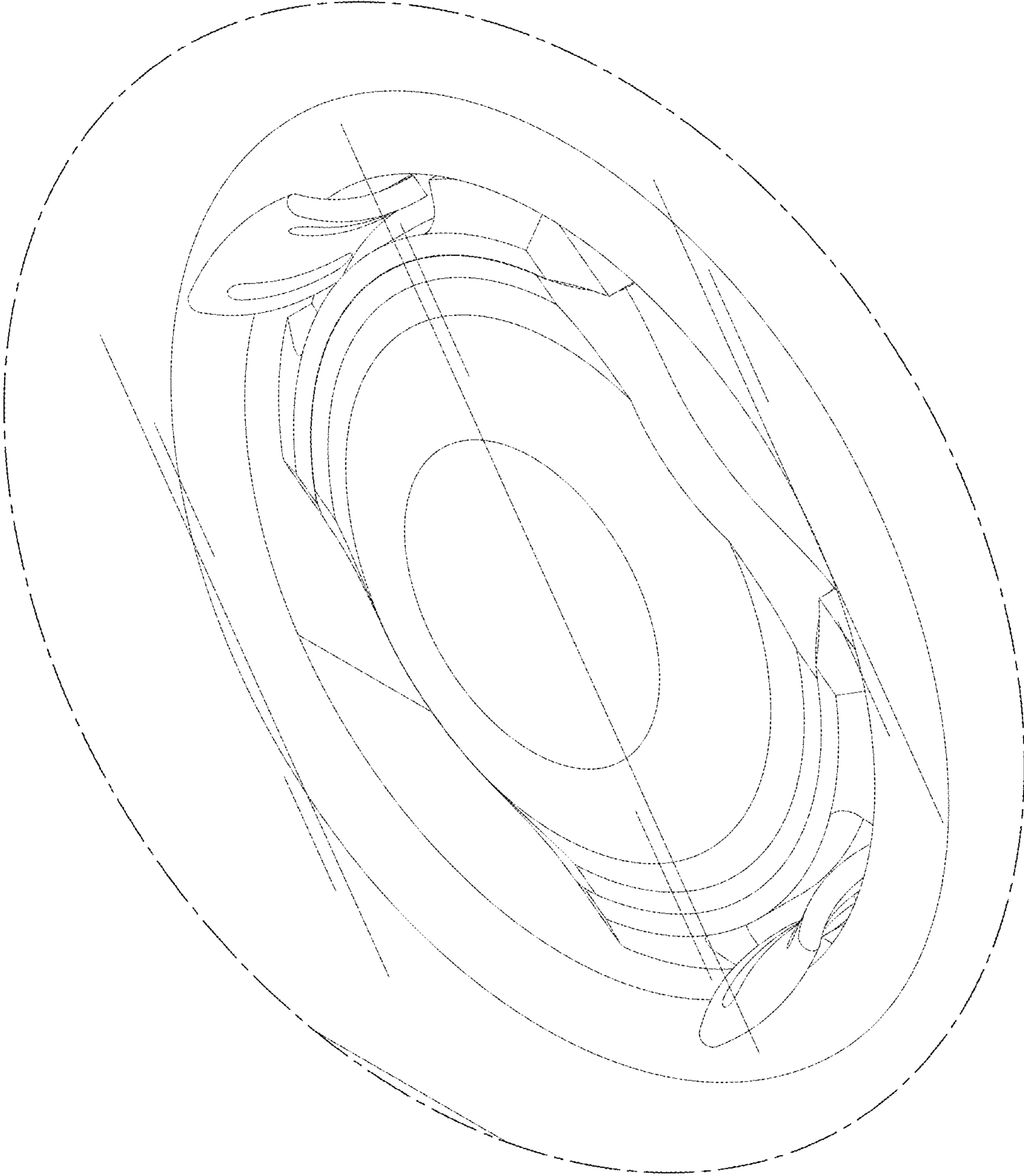


FIG. 9