



US00D967220S

(12) **United States Design Patent**
Bangalore Srinivas et al.

(10) **Patent No.:** **US D967,220 S**
(45) **Date of Patent:** **** Oct. 18, 2022**

(54) **ROBOTIC GRIPPER FOR PICKING AND GROUPING OF OBJECTS**

(71) Applicant: **TATA CONSULTANCY SERVICES LIMITED**, Maharashtra (IN)

(72) Inventors: **Venkatesh Prasad Bangalore Srinivas**, Bangalore (IN); **Pradeep Prabhakar Kamble**, Bangalore (IN)

(73) Assignee: **TATA CONSULTANCY SERVICES LIMITED**, Mumbai (IN)

(**) Term: **15 Years**

(21) Appl. No.: **29/772,058**

(22) Filed: **Feb. 26, 2021**

(30) **Foreign Application Priority Data**

Sep. 18, 2020 (IN) 333376-001

(51) **LOC (13) Cl.** **15-99**

(52) **U.S. Cl.**
USPC **D15/199**

(58) **Field of Classification Search**
USPC D15/138, 199; D21/578-583, 621, 622;
D23/362, 366; D32/21; D34/34
CPC B25J 5/007; B25J 11/008; B60B 19/006;
B62D 57/024; Y10S 901/01
See application file for complete search history.

(56) **References Cited**

U.S. PATENT DOCUMENTS

4,607,873 A * 8/1986 Nusbaumer B25J 13/086
294/115
6,938,938 B2 * 9/2005 Risle B25J 15/0253
294/207
D588,431 S * 3/2009 Fukano D8/72
D590,686 S * 4/2009 Fukano D8/72

D609,546 S * 2/2010 Fukano D8/72
D811,188 S * 2/2018 Zimmerman D8/72
D811,189 S * 2/2018 Zimmerman D8/72
9,912,130 B1 * 3/2018 Burns B25B 9/04
9,956,691 B1 * 5/2018 Pentzer B25J 15/08
D846,611 S * 4/2019 Chi D15/144
D894,247 S * 8/2020 Ishibashi D15/199
D900,182 S * 10/2020 Haddadin D15/199
2001/0038175 A1 * 11/2001 Nagai B25B 5/12
269/237
2004/0070225 A1 * 4/2004 Meinicke G01N 35/0099
294/86.4
2004/0113343 A1 * 6/2004 McIntosh B25J 15/0206
269/32
2018/0354130 A1 * 12/2018 Preisinger B25J 9/1656

FOREIGN PATENT DOCUMENTS

DE 10218236 C1 * 8/2003 B23Q 3/15513
* cited by examiner

Primary Examiner — Patricia A Palasik

(74) *Attorney, Agent, or Firm* — Maschoff Brennan

(57) **CLAIM**

The ornamental design for a robotic gripper for picking and grouping of objects, as shown and described.

DESCRIPTION

FIG. 1 is a front view of a robot gripper for picking and grouping of objects, showing our new design;
FIG. 2 is a back view thereof;
FIG. 3 is a top view thereof;
FIG. 4 is a bottom view thereof;
FIG. 5 is a top, front, and left side perspective view thereof;
FIG. 6 is a top, front, and right side perspective view thereof;
FIG. 7 is a left view thereof; and,
FIG. 8 is a right view thereof.
The broken lines in the figures illustrate the portions of the design that form no part of the claimed design.

1 Claim, 8 Drawing Sheets

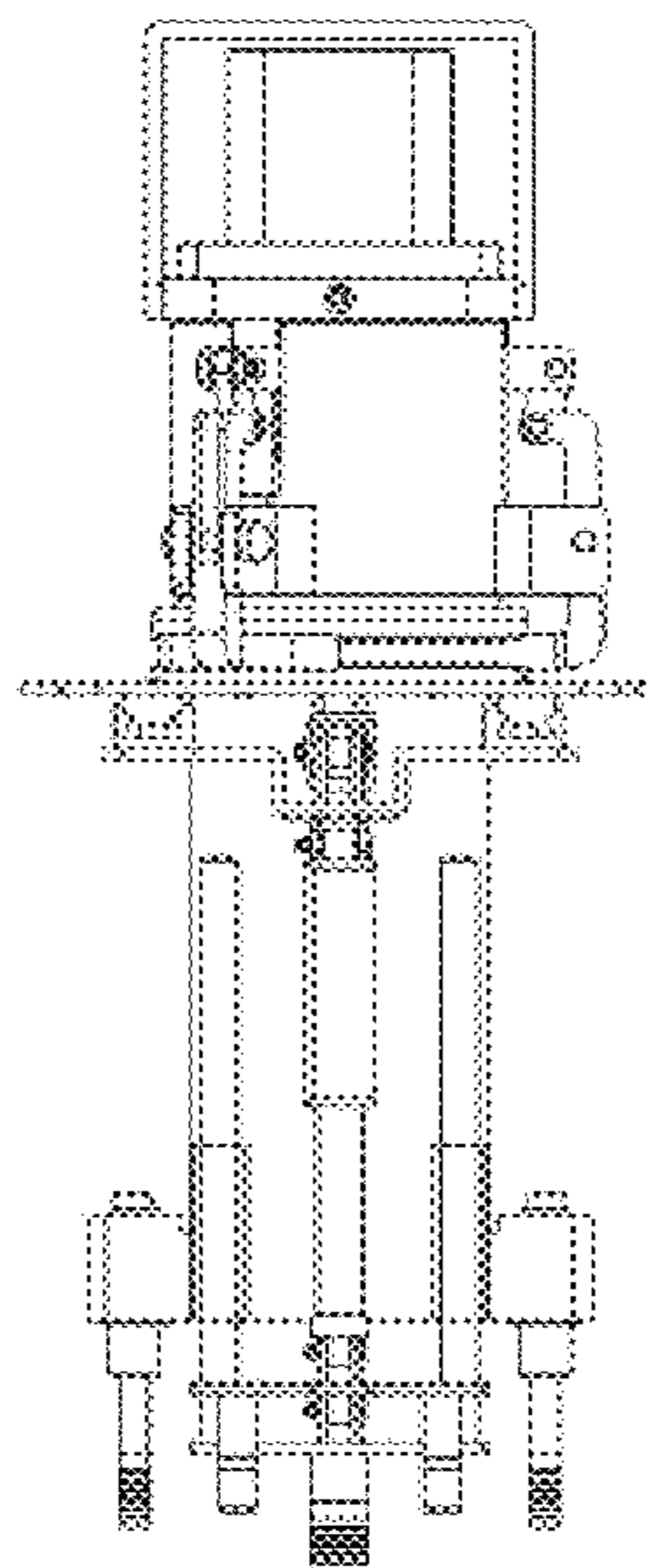


FIGURE 1

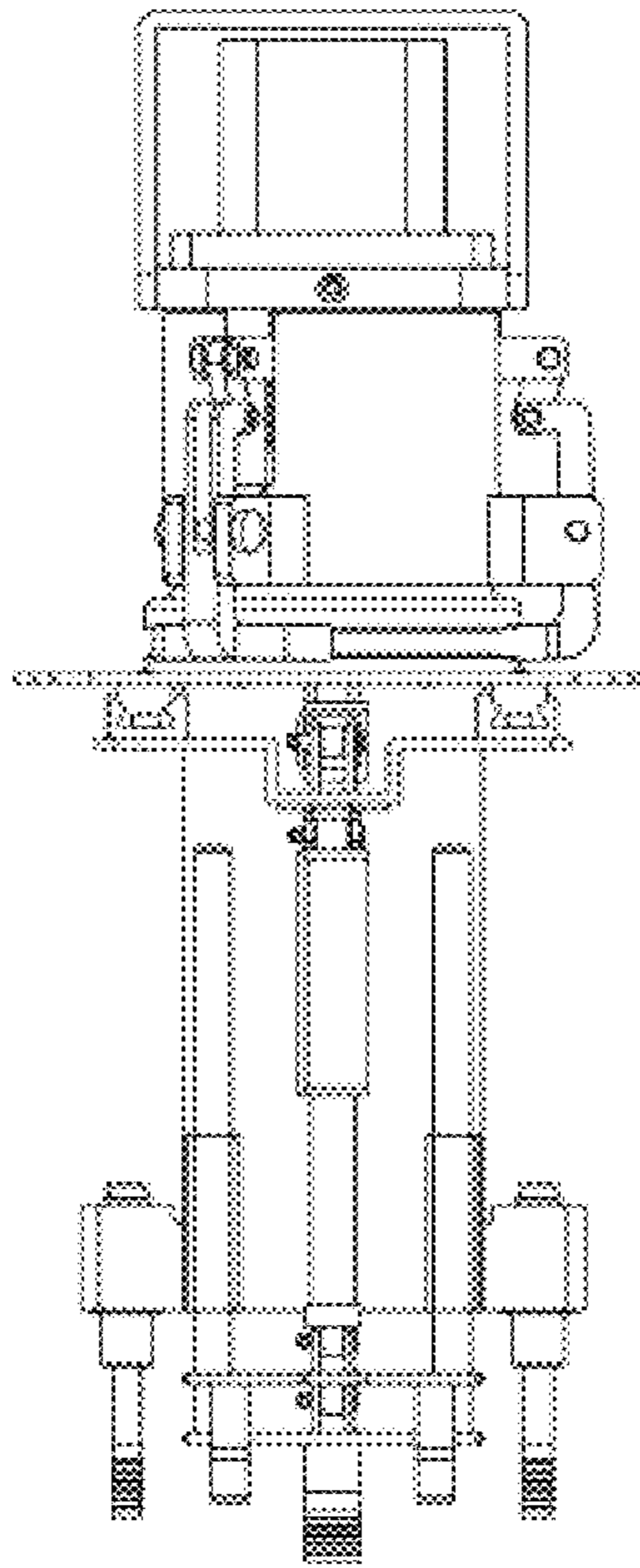


FIGURE 2

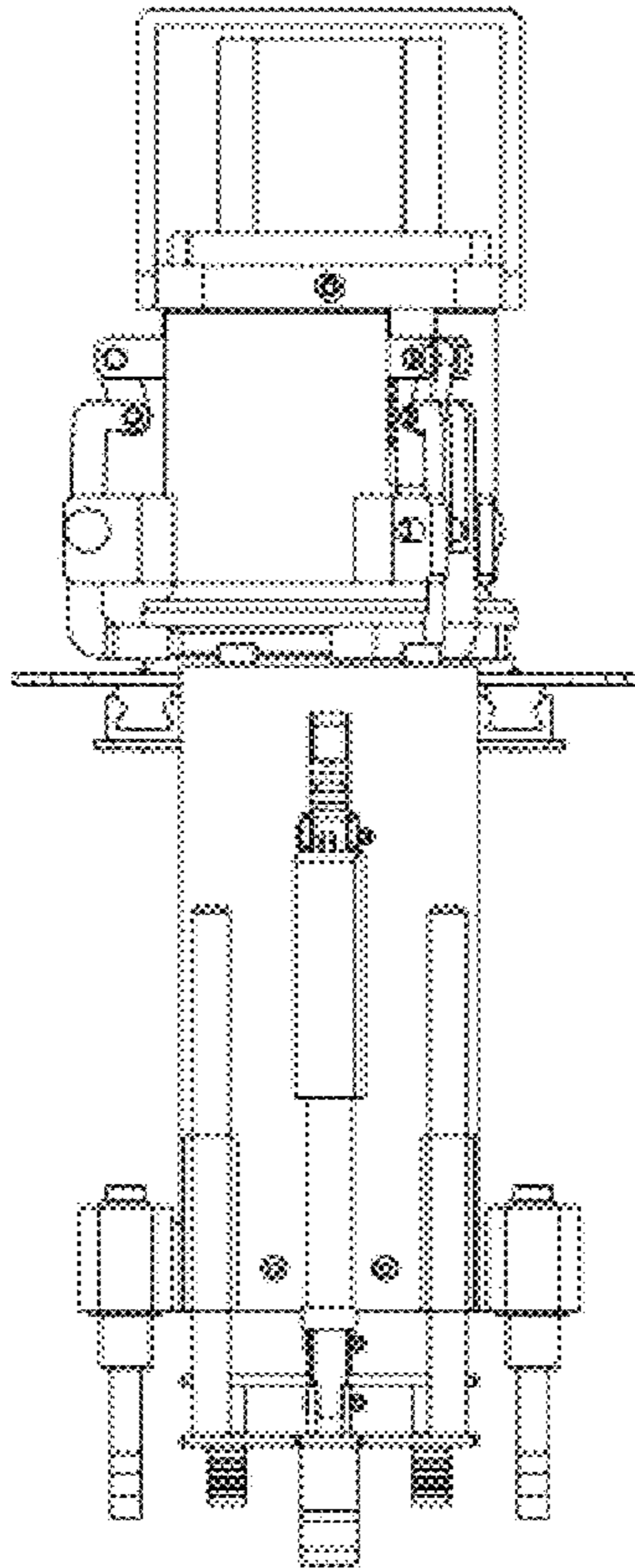


FIGURE 3

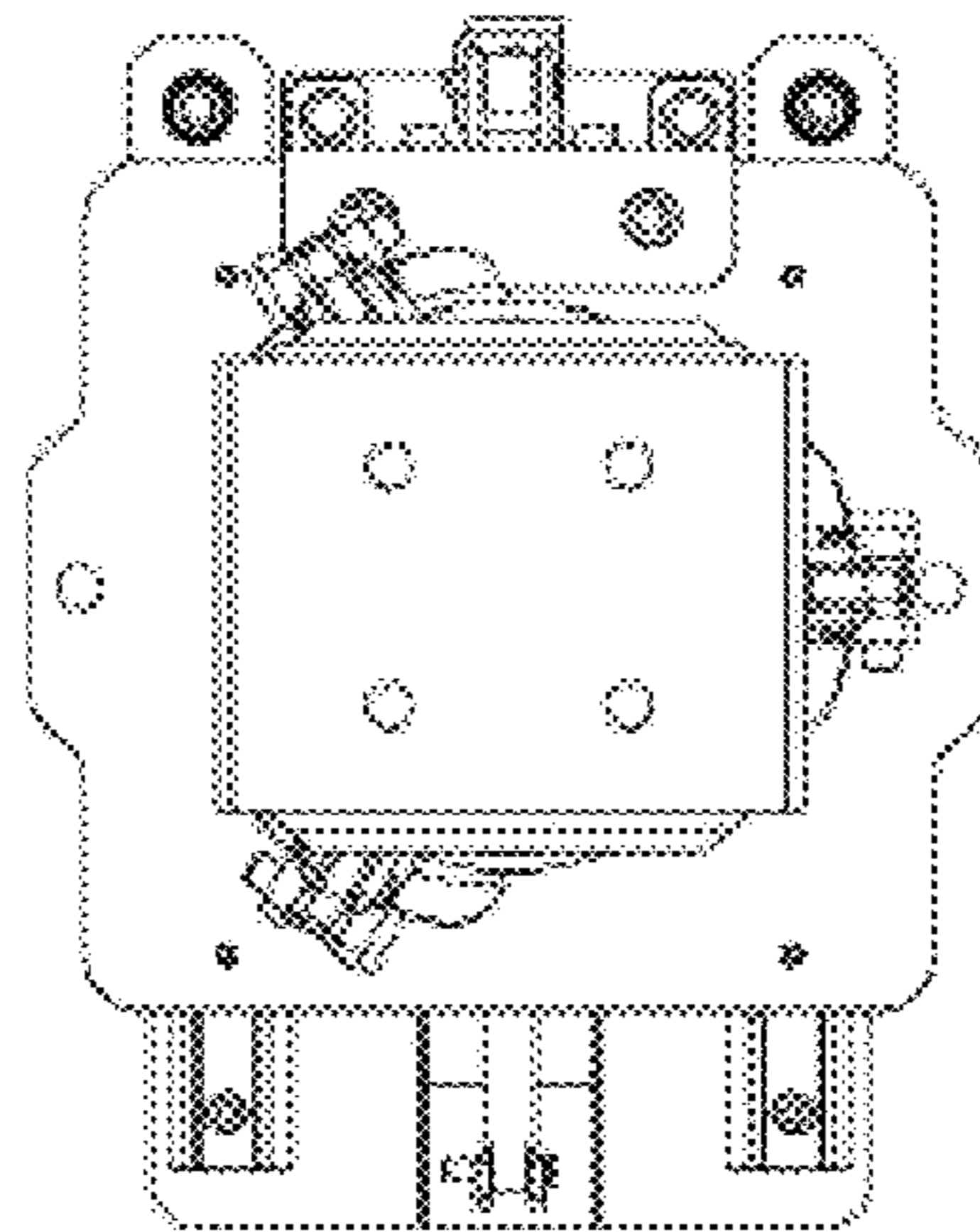


FIGURE 4

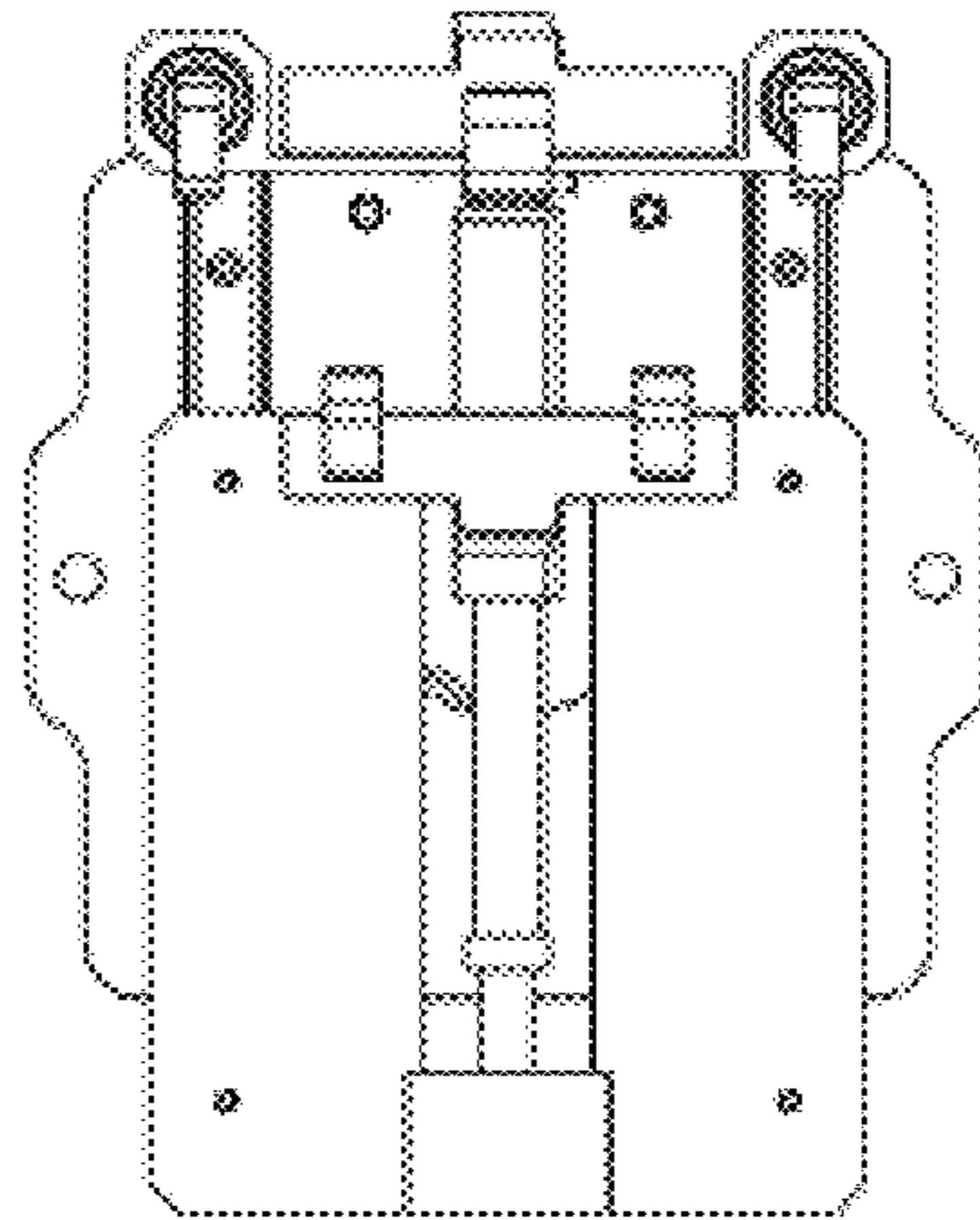


FIGURE 5

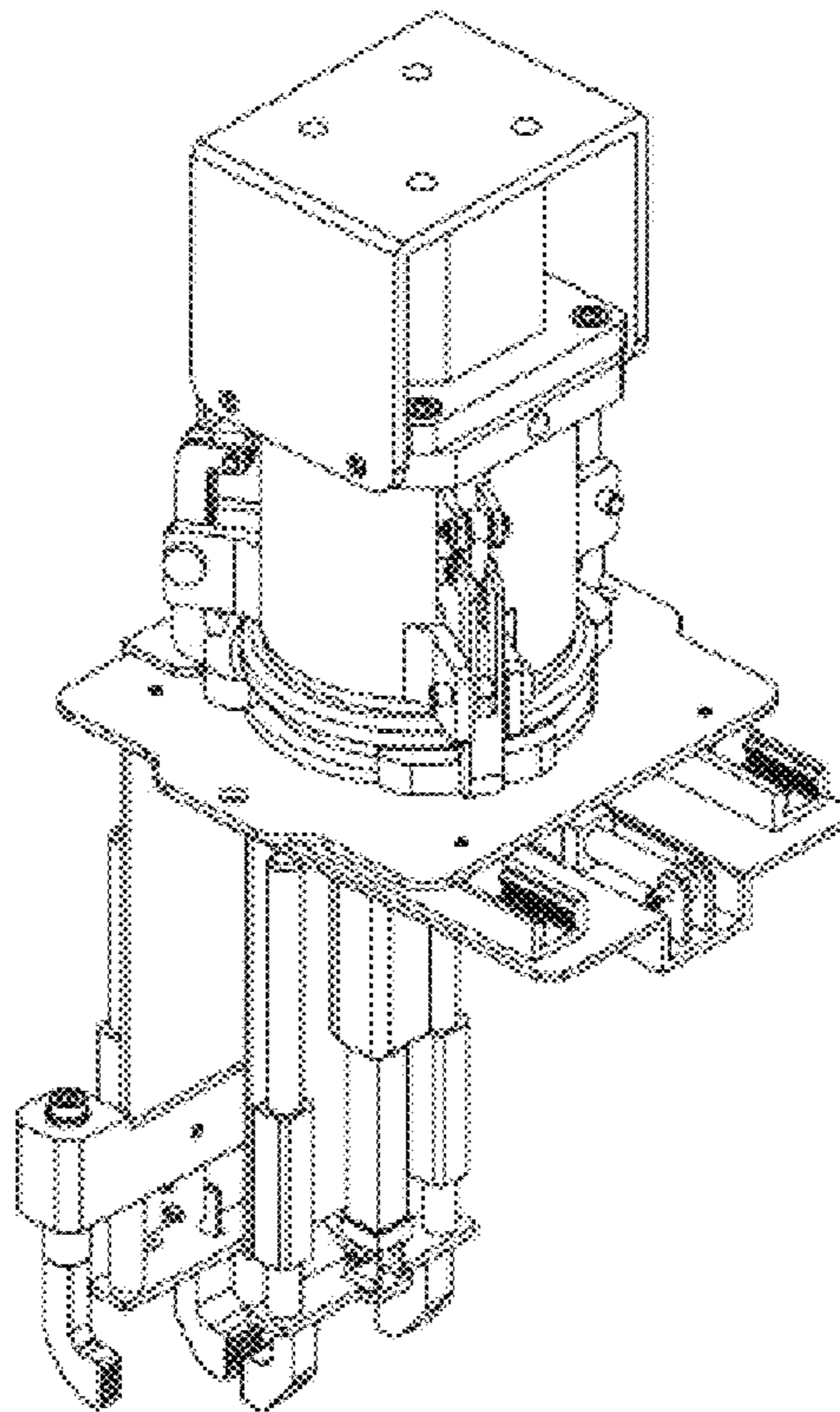


FIGURE 6

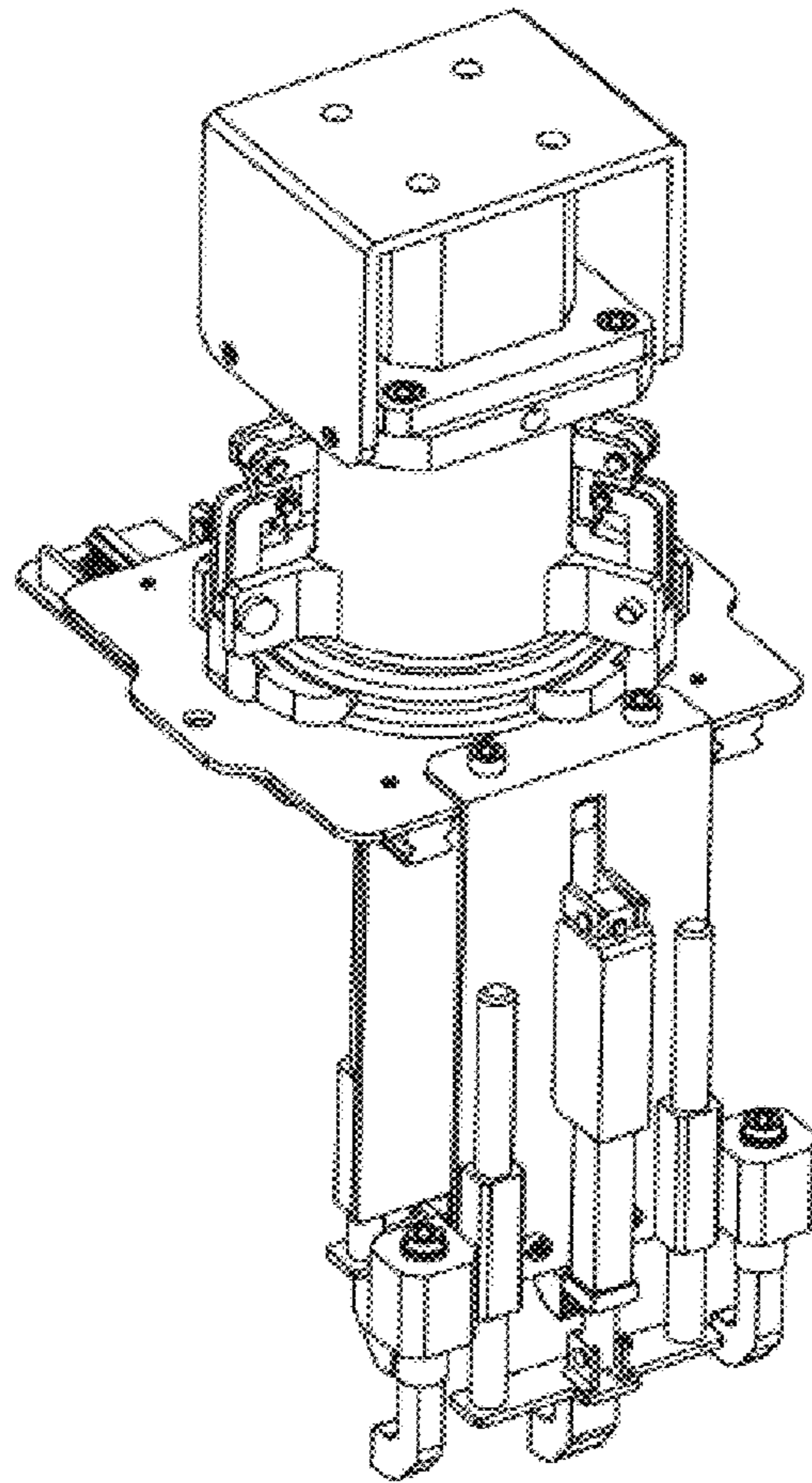


FIGURE 7

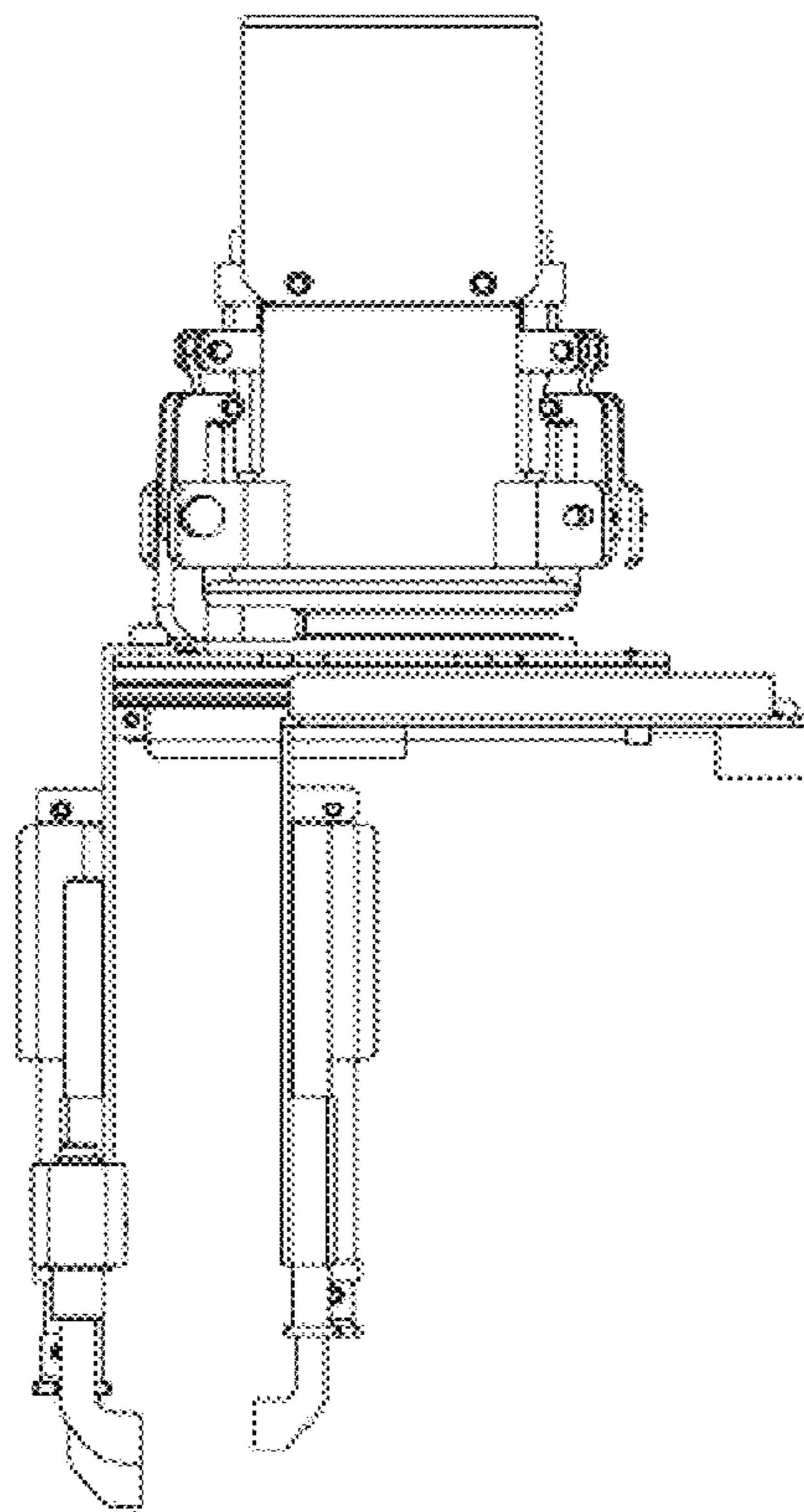


FIGURE 8

