

US00D967219S

(12) **United States Design Patent**  
**Nakayama et al.**

(10) **Patent No.:** **US D967,219 S**

(45) **Date of Patent:** **\*\* Oct. 18, 2022**

(54) **GRIPPER FOR NON-CONTACT TRANSPORT**

(71) Applicant: **SMC CORPORATION**, Tokyo (JP)

(72) Inventors: **Toru Nakayama**, Soka (JP); **Toru Sugiyama**, Abiko (JP); **Masaru Saitoh**, Joso (JP); **Hiroaki Saka**, Bando (JP)

(73) Assignee: **SMC CORPORATION**, Tokyo (JP)

(\*\*) Term: **15 Years**

(21) Appl. No.: **29/761,774**

(22) Filed: **Dec. 11, 2020**

(30) **Foreign Application Priority Data**

Jun. 17, 2020 (CN) ..... 202030312935.X

(51) **LOC (13) Cl.** ..... **15-99**

(52) **U.S. Cl.**  
USPC ..... **D15/199**

(58) **Field of Classification Search**  
USPC ..... D15/199; D23/362, 366  
CPC ..... B25J 11/0045; B25J 15/08; B25J 15/024;  
B65G 47/90  
See application file for complete search history.

(56) **References Cited**

**U.S. PATENT DOCUMENTS**

- 4,579,380 A \* 4/1986 Zaremsky ..... B25J 19/021  
901/33
- D313,650 S \* 1/1991 Odegaard ..... D23/386
- D496,378 S \* 9/2004 Stahl ..... D15/199
- D504,445 S \* 4/2005 Johnson ..... B29D 30/48  
D15/122
- 6,938,938 B2 \* 9/2005 Risle ..... B25J 15/0253  
294/207
- D585,843 S \* 2/2009 Sakaguchi ..... D13/158
- D586,074 S \* 2/2009 Auf der Maur ..... D34/29
- D609,546 S \* 2/2010 Fukano ..... D8/72

- D668,832 S \* 10/2012 Auf der Maur ..... D34/35
- D754,293 S \* 4/2016 Mangold ..... D23/233
- D789,432 S \* 6/2017 Tokuda ..... D15/148
- D790,616 S \* 6/2017 Tokuda ..... D15/148
- D790,617 S \* 6/2017 Tokuda ..... D15/148
- D811,188 S \* 2/2018 Zimmerman ..... D8/72
- 9,912,130 B1 \* 3/2018 Burns ..... B25B 27/02

(Continued)

**FOREIGN PATENT DOCUMENTS**

- DE 10218236-01 \* 8/2003 ..... B23Q 3/15513
- JP 1287772 S 12/2006

(Continued)

*Primary Examiner* — Patricia A Palasik

(74) *Attorney, Agent, or Firm* — Birch, Stewart, Kolasch & Birch, LLP

(57) **CLAIM**

The ornamental design for a gripper for non-contact transport, as shown and described.

**DESCRIPTION**

FIG. 1 is a front, top and left side perspective view of a gripper for non-contact transport showing a first embodiment of our new design;

FIG. 2 is a rear, bottom and right side perspective view thereof;

FIG. 3 is a front view thereof;

FIG. 4 is a rear view thereof;

FIG. 5 is a top plan view thereof;

FIG. 6 is a bottom plan view thereof;

FIG. 7 is a left side view thereof;

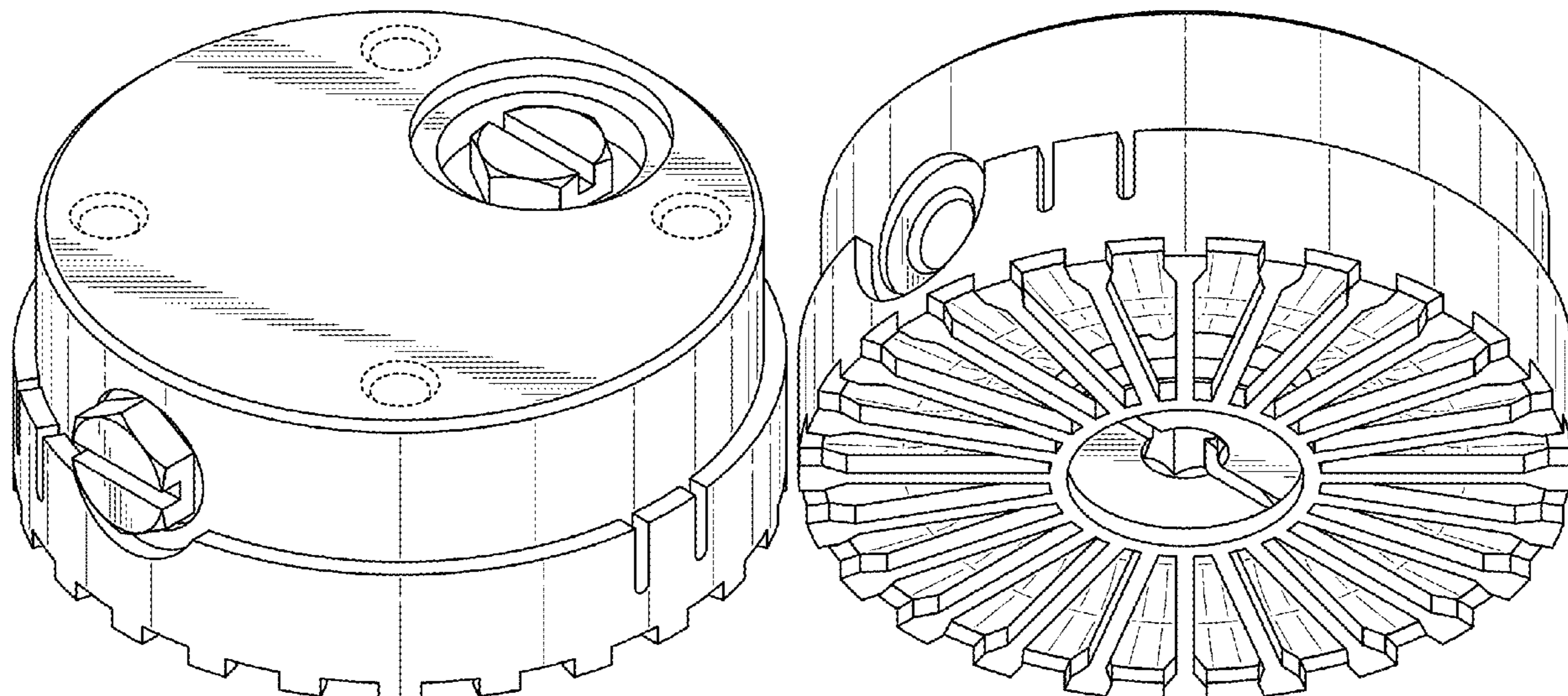
FIG. 8 is a right side view thereof;

FIG. 9 is a sectional view taken along the line 9-9 of FIG. 5; and,

FIG. 10 is an exploded perspective view thereof.

The broken lines depict portions of the gripper for non-contact transport that form no part of the claimed design.

**1 Claim, 10 Drawing Sheets**



(56)

**References Cited**

U.S. PATENT DOCUMENTS

9,956,691 B1 \* 5/2018 Pentzer ..... B25J 15/08  
D894,247 S \* 8/2020 Ishibashi ..... D15/199  
D900,182 S \* 10/2020 Haddadin ..... D15/199  
D923,680 S \* 6/2021 Watanabe ..... D15/199  
D934,321 S \* 10/2021 Gupta ..... D15/199  
2001/0038175 A1 \* 11/2001 Nagai ..... B25B 5/12  
269/237  
2004/0113343 A1 \* 6/2004 McIntosh ..... B25J 15/0206  
269/32  
2021/0094192 A1 \* 4/2021 Maurer ..... B25J 15/0253  
2022/0134575 A1 \* 5/2022 Yoon ..... B25J 13/08  
414/277

FOREIGN PATENT DOCUMENTS

JP 1287928 S 12/2006  
JP 1287929 S 12/2006  
JP 1287930 S 12/2006  
WO WO-2004002648 A2 \* 1/2004 ..... B21D 39/021  
WO WO-2022045990 A1 \* 3/2022

\* cited by examiner

FIG. 1

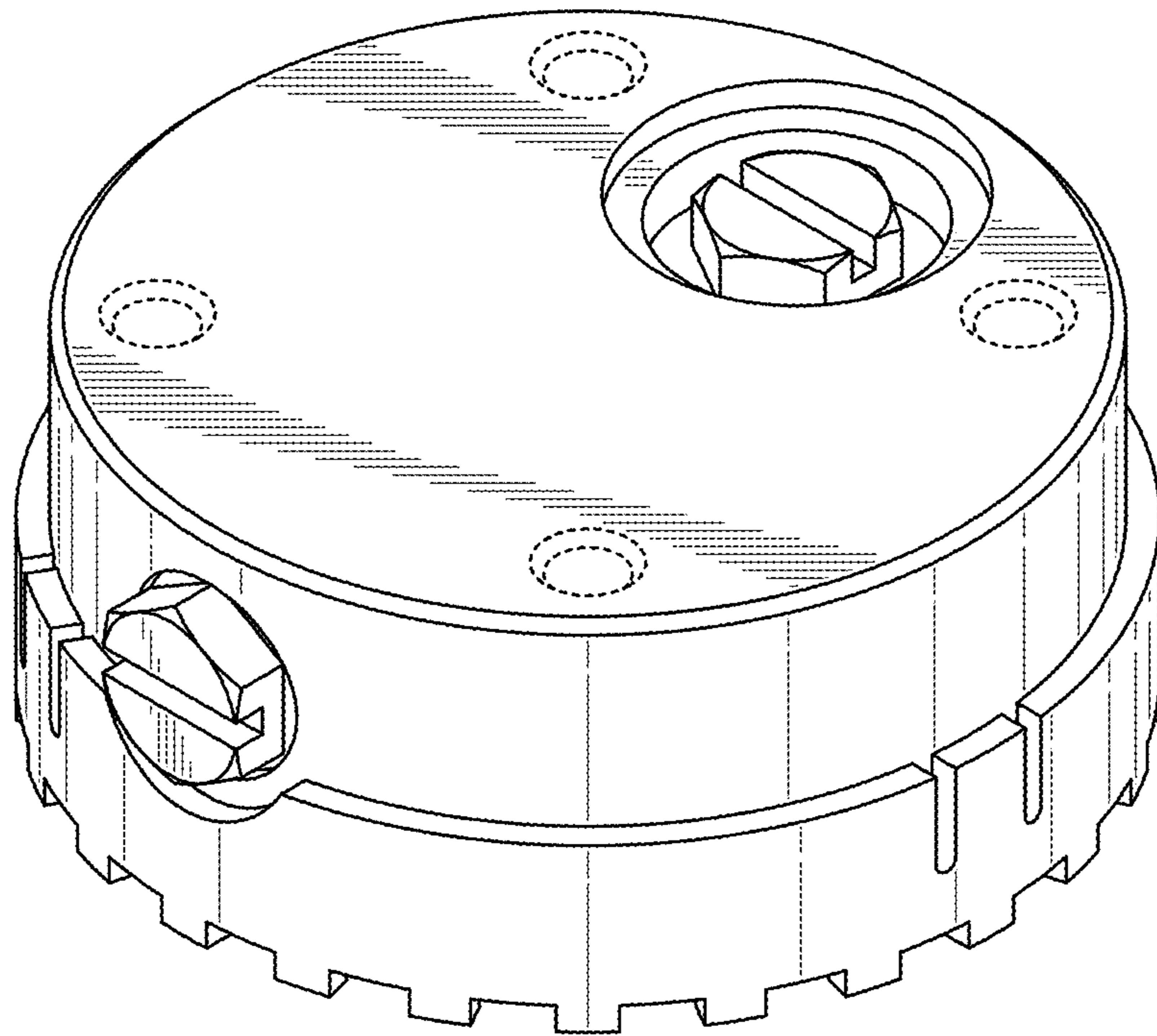


FIG. 2

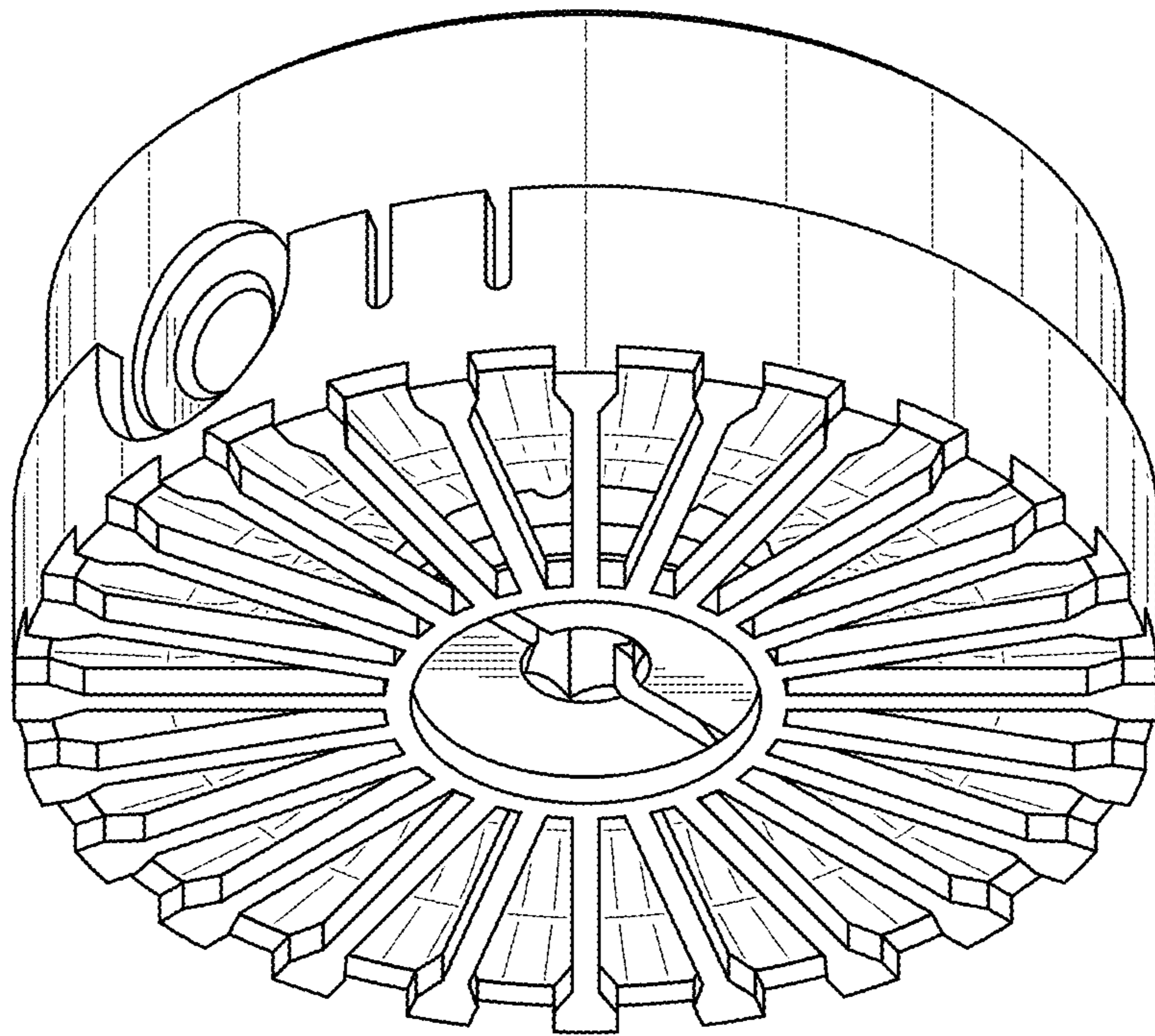


FIG. 3

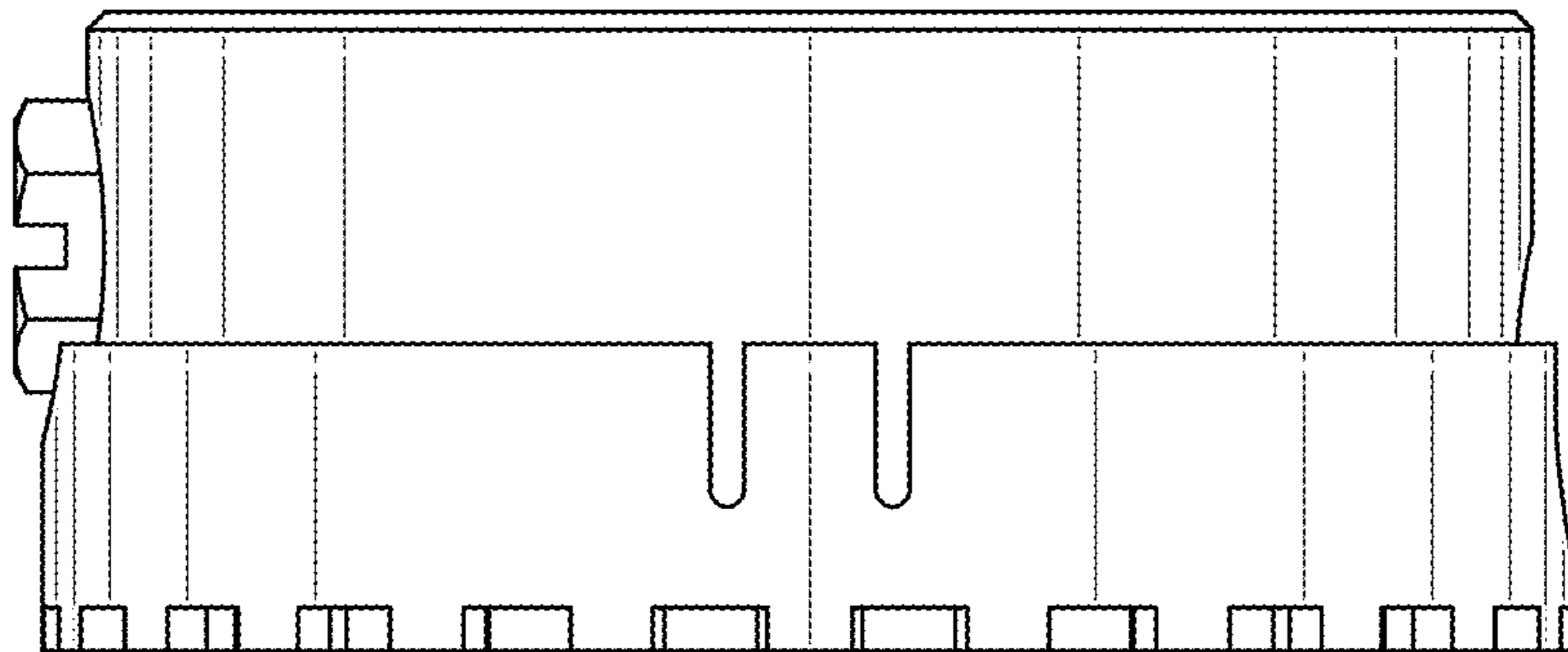


FIG. 4

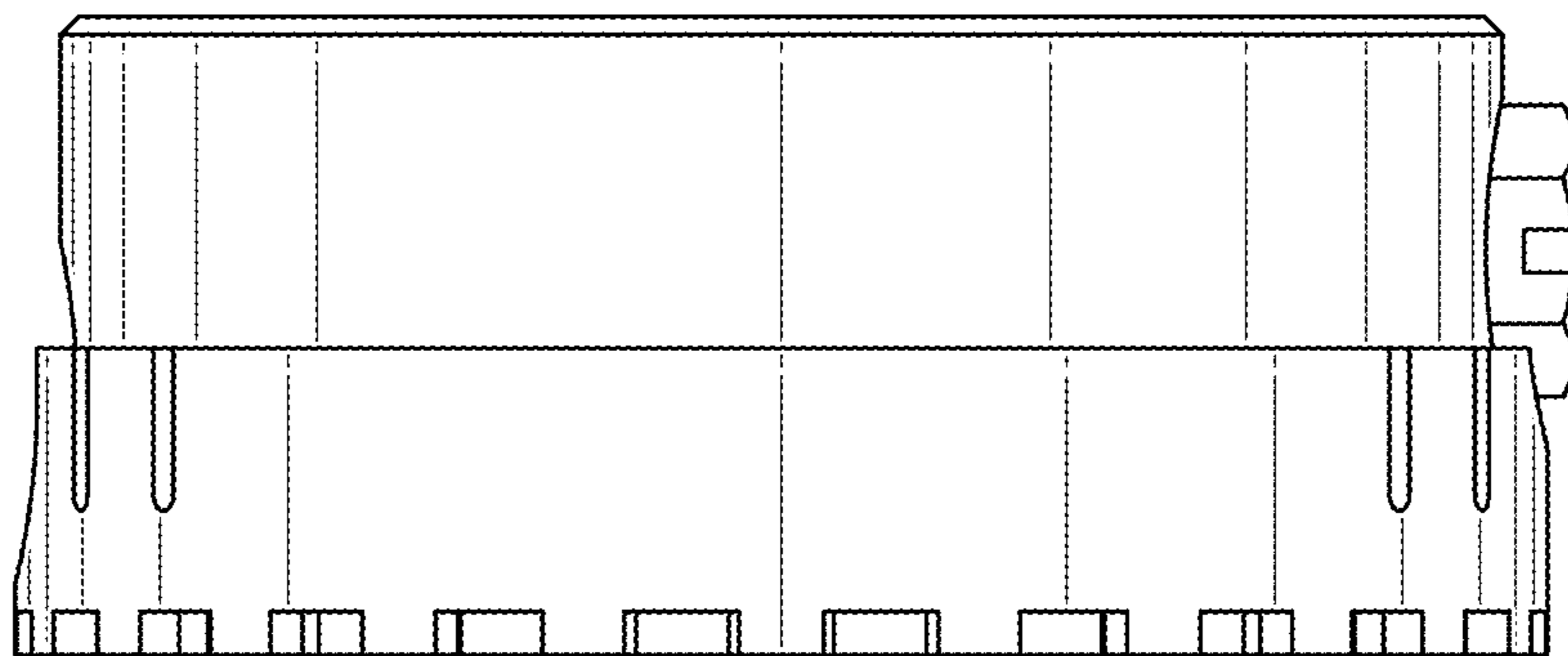


FIG. 5

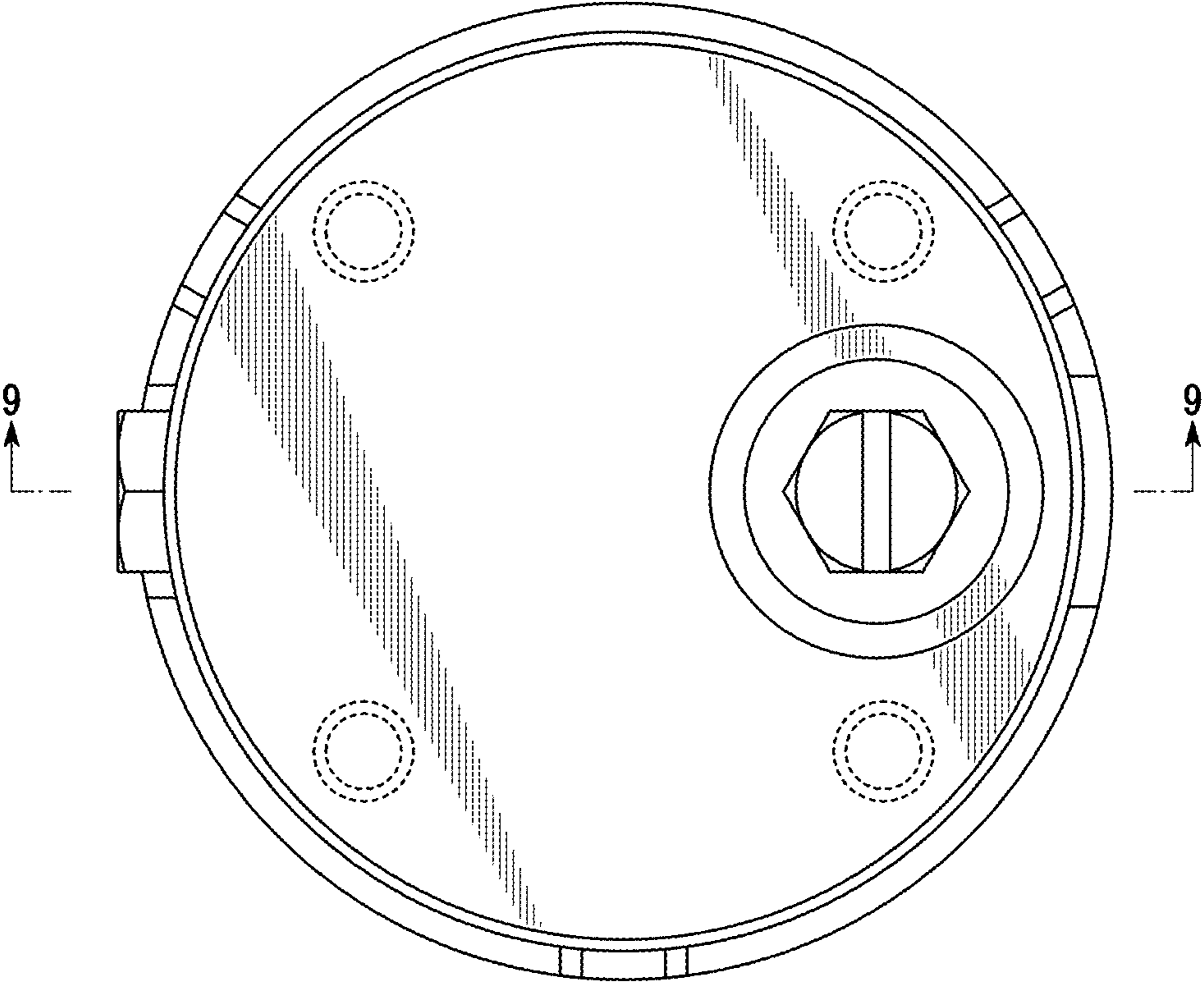


FIG. 6

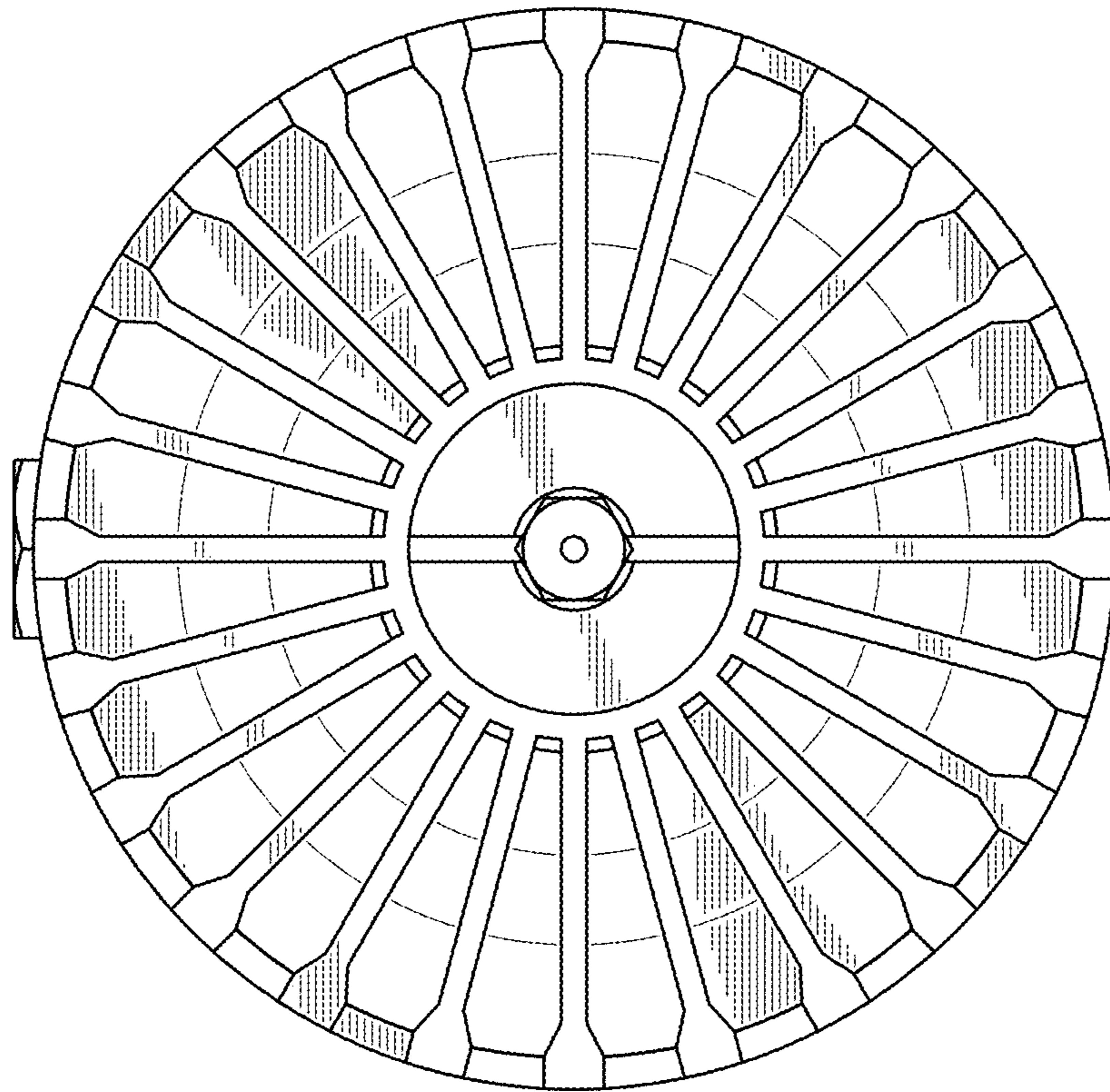




FIG. 7

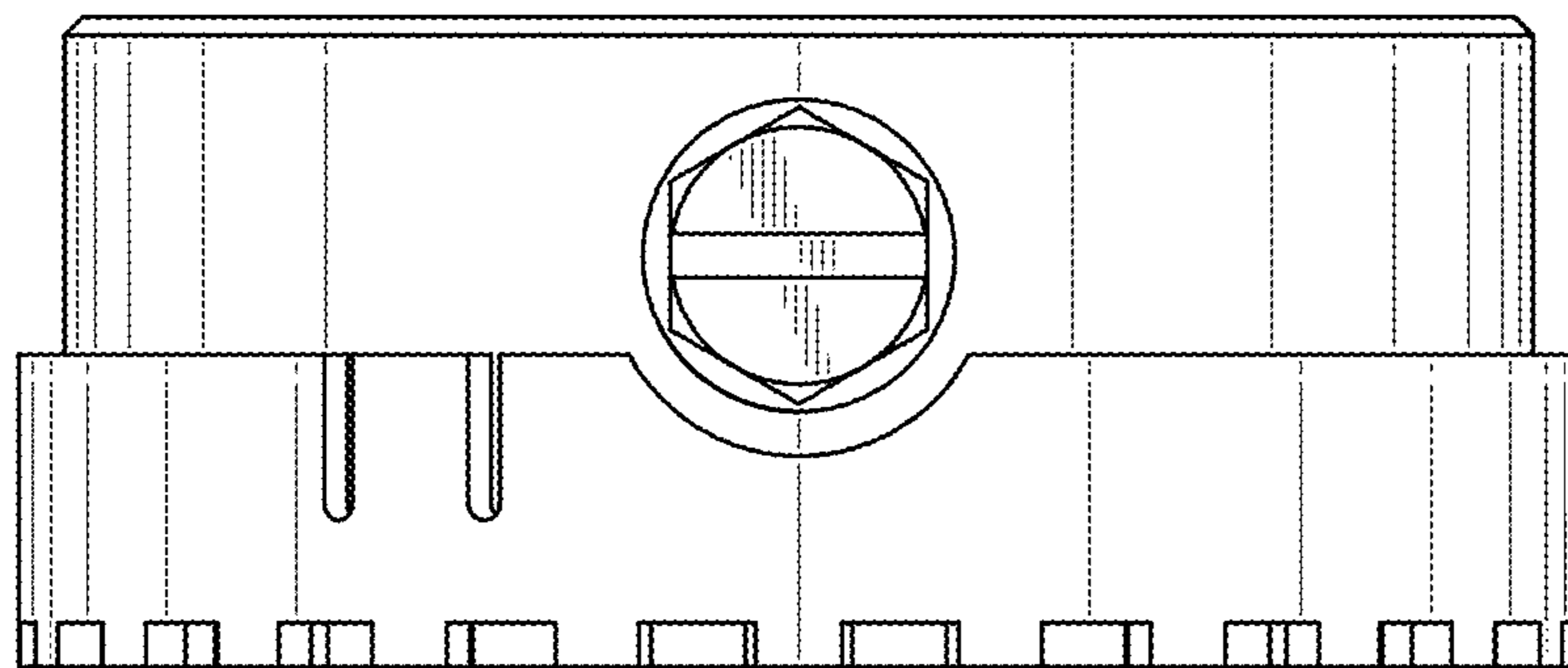


FIG. 8

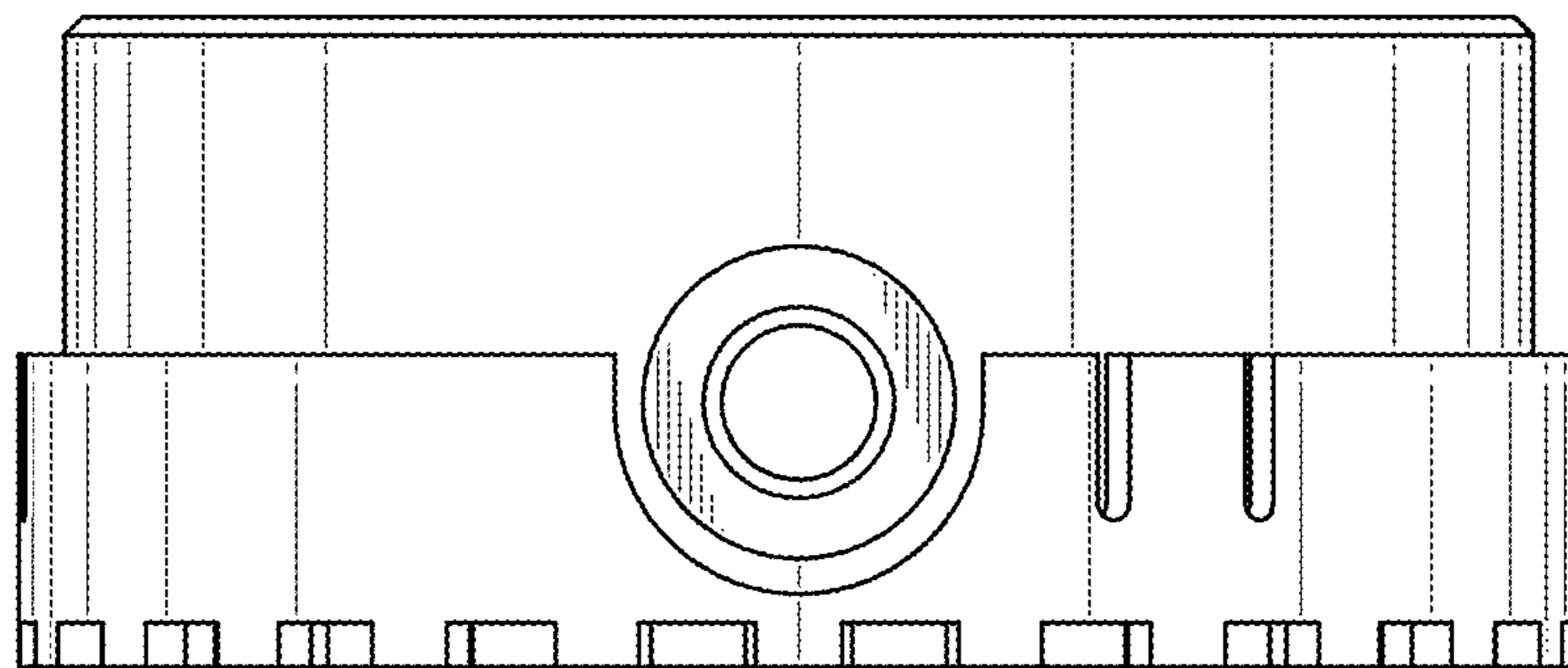


FIG. 9

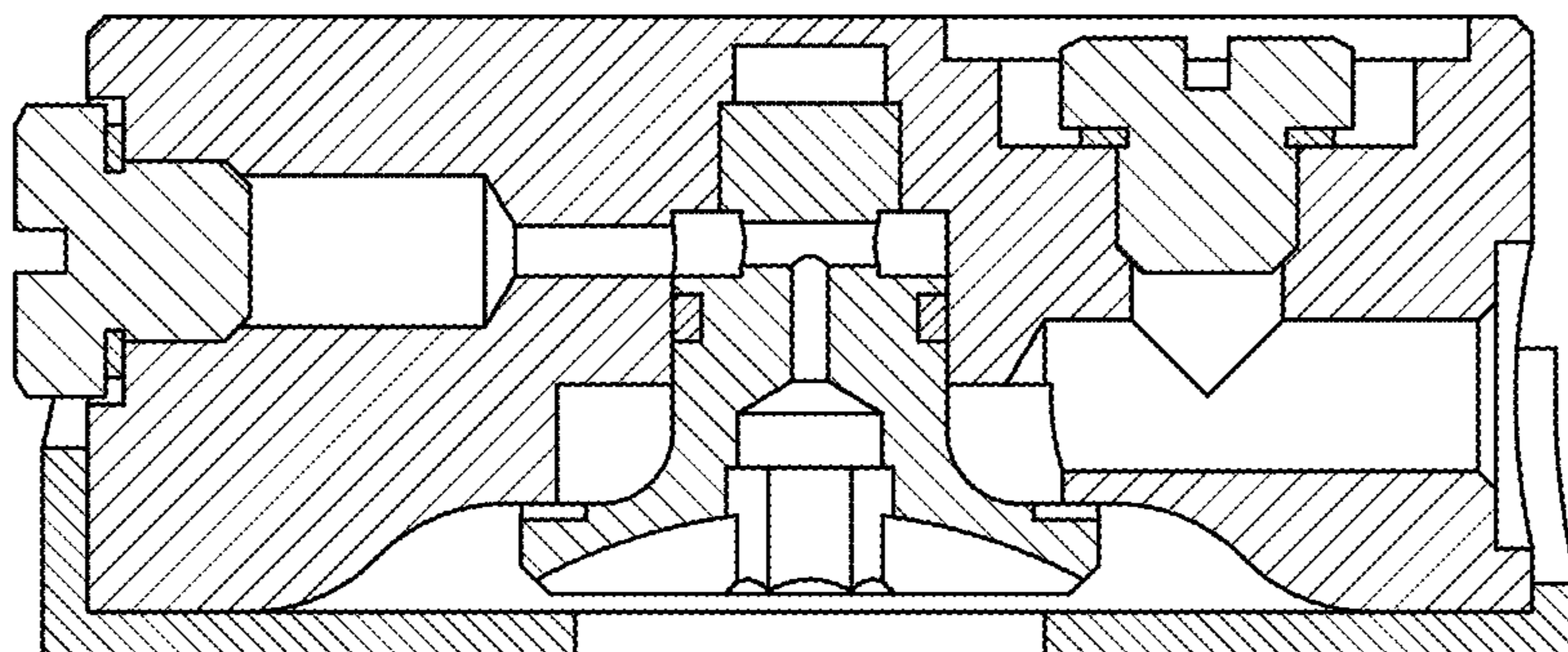


FIG. 10

