

US00D967217S

(12) **United States Design Patent** (10) **Patent No.:** **US D967,217 S**
De Abreu (45) **Date of Patent:** **** Oct. 18, 2022**

(54) **PAPER DISPENSER**
(71) Applicant: **Jose Andres De Abreu**, Ponta Do Sol (PT)
(72) Inventor: **Jose Andres De Abreu**, Ponta Do Sol (PT)
(**) Term: **15 Years**
(21) Appl. No.: **29/788,117**
(22) Filed: **Mar. 18, 2021**
(51) **LOC (13) Cl.** **15-09**
(52) **U.S. Cl.**
USPC **D15/145**
(58) **Field of Classification Search**
USPC D6/512, 518; D15/122, 138, 145, 146
CPC B31B 2241/001; B31B 2160/10; B31B 2155/002; B31B 2100/0026; B31B 70/142; B31B 70/642; B31B 70/984; B31B 70/988; B31B 50/14; B31B 50/26; B31B 50/86; B65B 67/1205; B65B 67/1227; B65B 67/1266; B65B 61/10; B65B 61/186; B65B 43/10; B65B 21/24; B65B 13/185; B65B 3/04
See application file for complete search history.

(56) **References Cited**
U.S. PATENT DOCUMENTS
1,912,363 A * 6/1933 De Waide A47K 17/003 4/244.2
D154,693 S * 8/1949 Mell D6/520
D154,933 S * 8/1949 Lestage D6/522
D154,943 S * 8/1949 Mell D6/519
D155,271 S * 9/1949 Collard et al. D6/520
D161,054 S * 11/1950 Rutka D6/520
D166,804 S * 5/1952 Grace D6/518
D238,872 S * 2/1976 Mori D19/89
D284,866 S * 7/1986 Raymond D16/250
D327,487 S * 6/1992 Di Bernardo D15/199

5,322,231 A * 6/1994 Greenberg B65H 75/08 297/145
6,632,165 B1 * 10/2003 Letourneau B31D 5/0052 493/464
D603,635 S * 11/2009 Krebs D6/518
D699,274 S * 2/2014 Nelson D15/145
D717,848 S * 11/2014 Henry D15/145
D729,541 S * 5/2015 Wilson, Jr. D6/518
D781,067 S * 3/2017 Cross D6/520
D798,352 S * 9/2017 Si D15/145
D833,493 S * 11/2018 Nelson D15/145
D881,244 S * 4/2020 Yu Chen D15/145
D924,954 S * 7/2021 Nelson D15/145
2009/0258775 A1 * 10/2009 Chan B31D 5/0043 493/464

(Continued)

FOREIGN PATENT DOCUMENTS

EP 2543294 A1 * 1/2013 A47K 10/38
ES 1279085 U * 10/2021

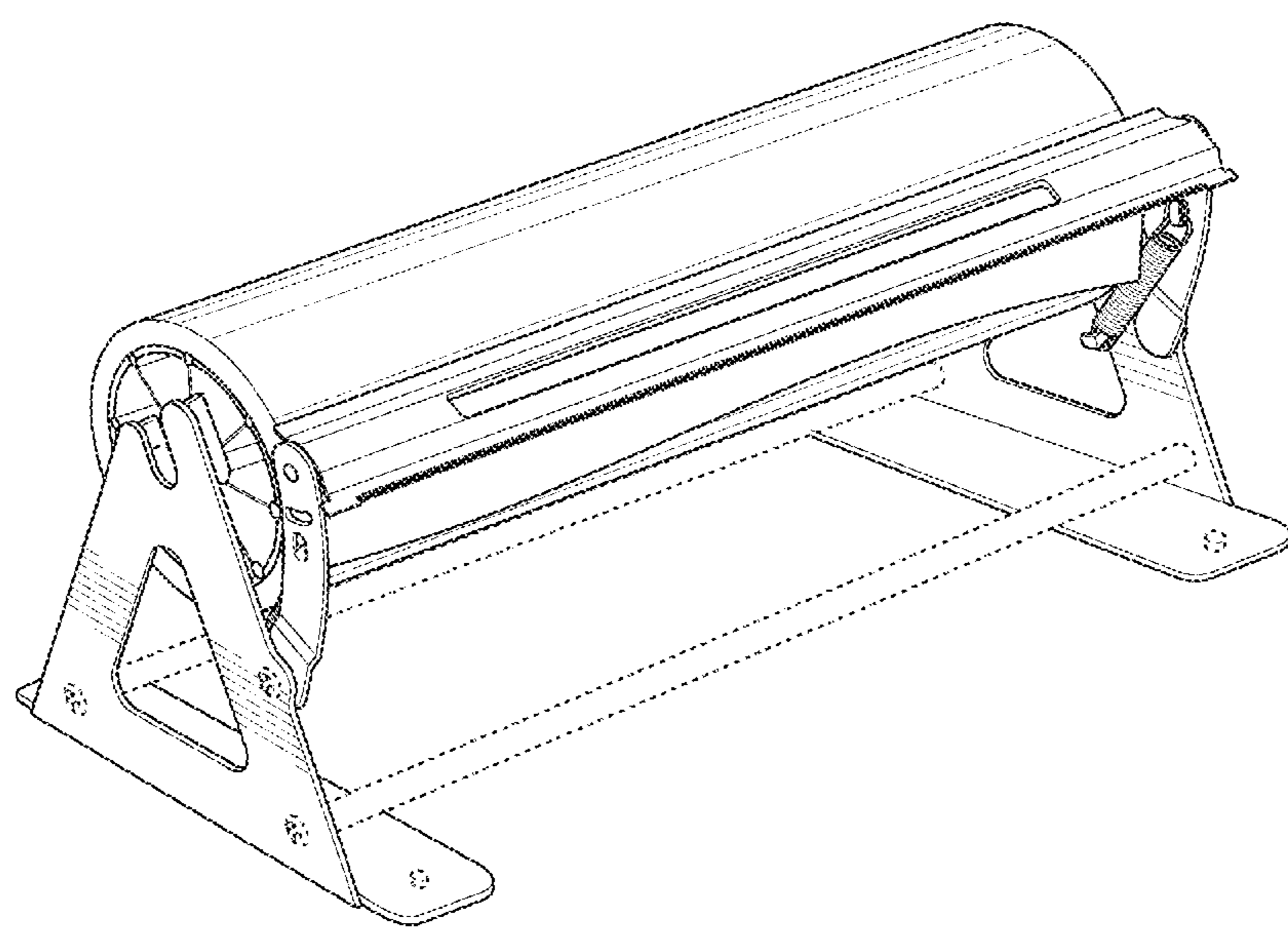
Primary Examiner — Patricia A Palasik
(74) *Attorney, Agent, or Firm* — Dunlap Bennett & Ludwig, PLLC

(57) **CLAIM**
The ornamental design for a paper dispenser, as shown and described.

DESCRIPTION

FIG. 1 is a perspective view of the paper dispenser showing my new design;
FIG. 2 is a front view of the thereof;
FIG. 3 is a back view of the thereof;
FIG. 4 is a left view of the thereof;
FIG. 5 is a right view of the thereof;
FIG. 6 is a top view of the thereof; and,
FIG. 7 is a bottom view of the thereof.
The broken lines shown in the drawings illustrate portions of the paper dispenser that form no part of the claimed design.

1 Claim, 4 Drawing Sheets



(56)

References Cited

U.S. PATENT DOCUMENTS

2011/0319245 A1* 12/2011 Wetsch B31D 5/0052
493/464
2012/0329629 A1* 12/2012 Wetsch B31D 5/006
493/464
2017/0043904 A1* 2/2017 Nelson F16G 11/046

* cited by examiner

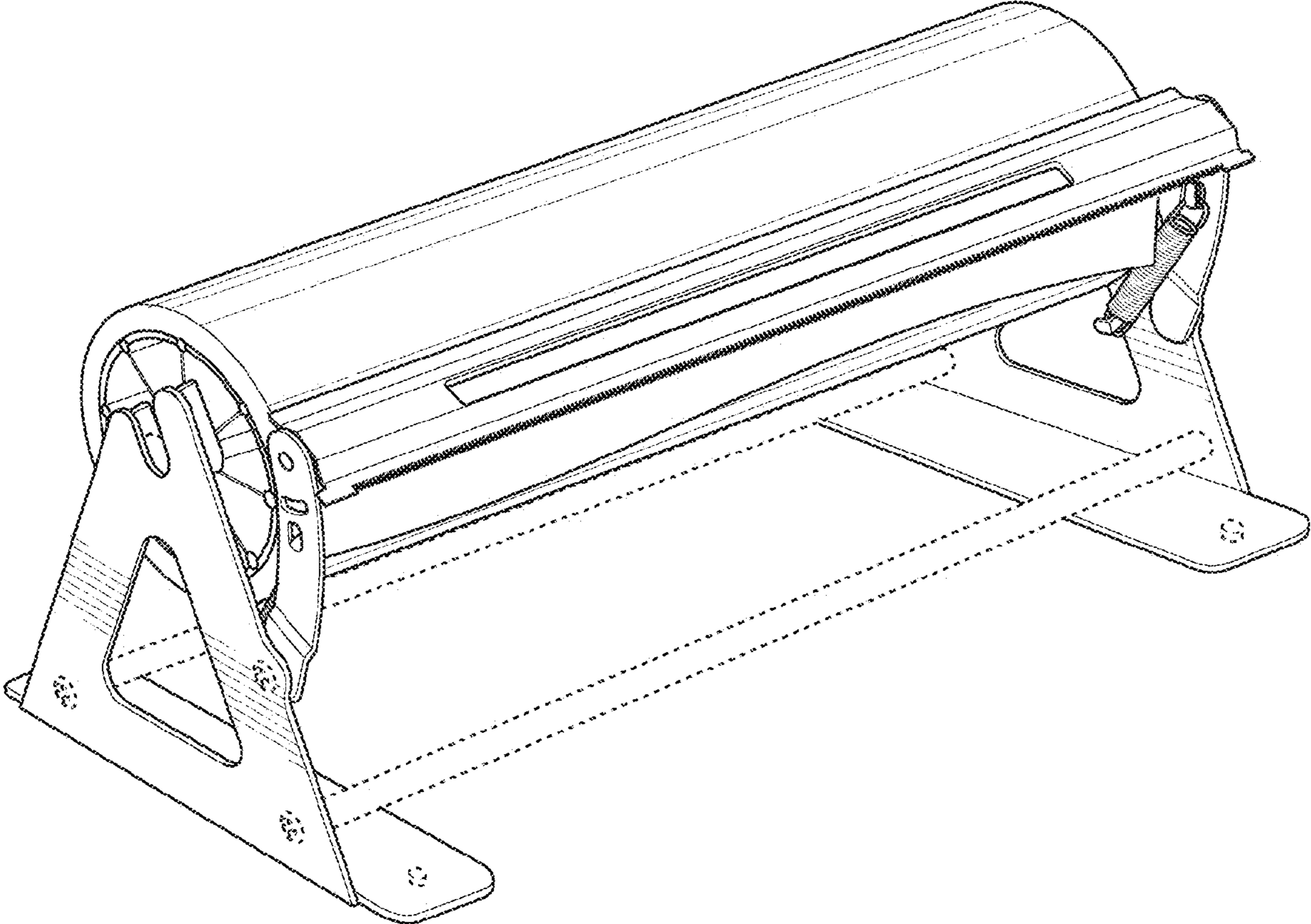


FIG. 1

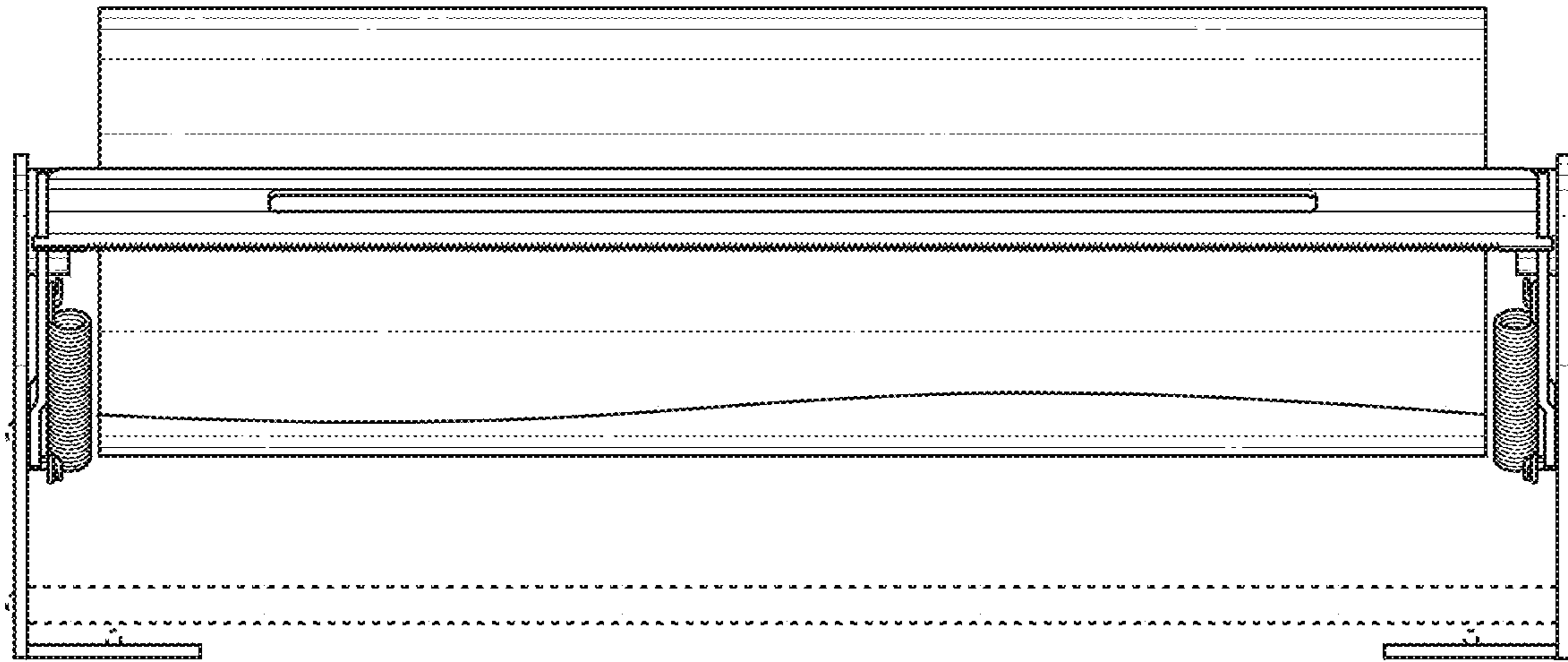


FIG. 2

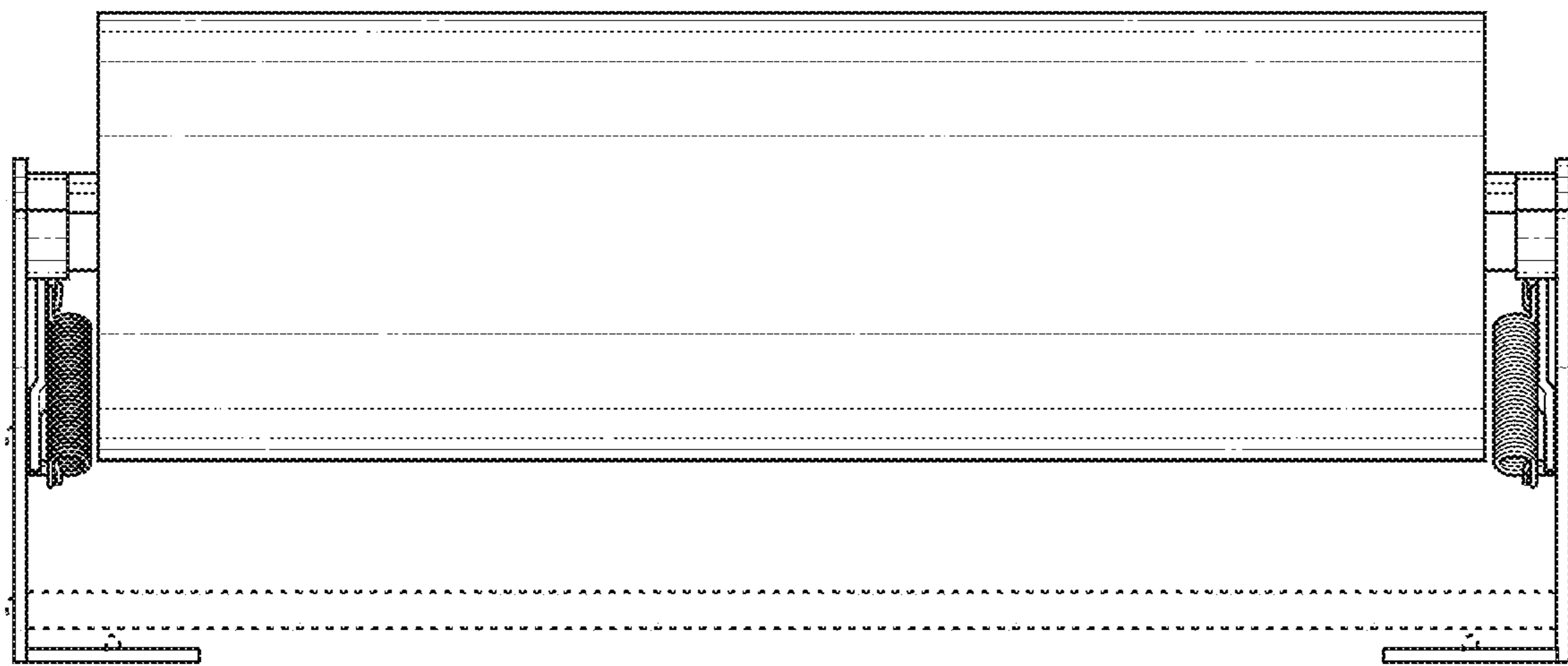


FIG. 3

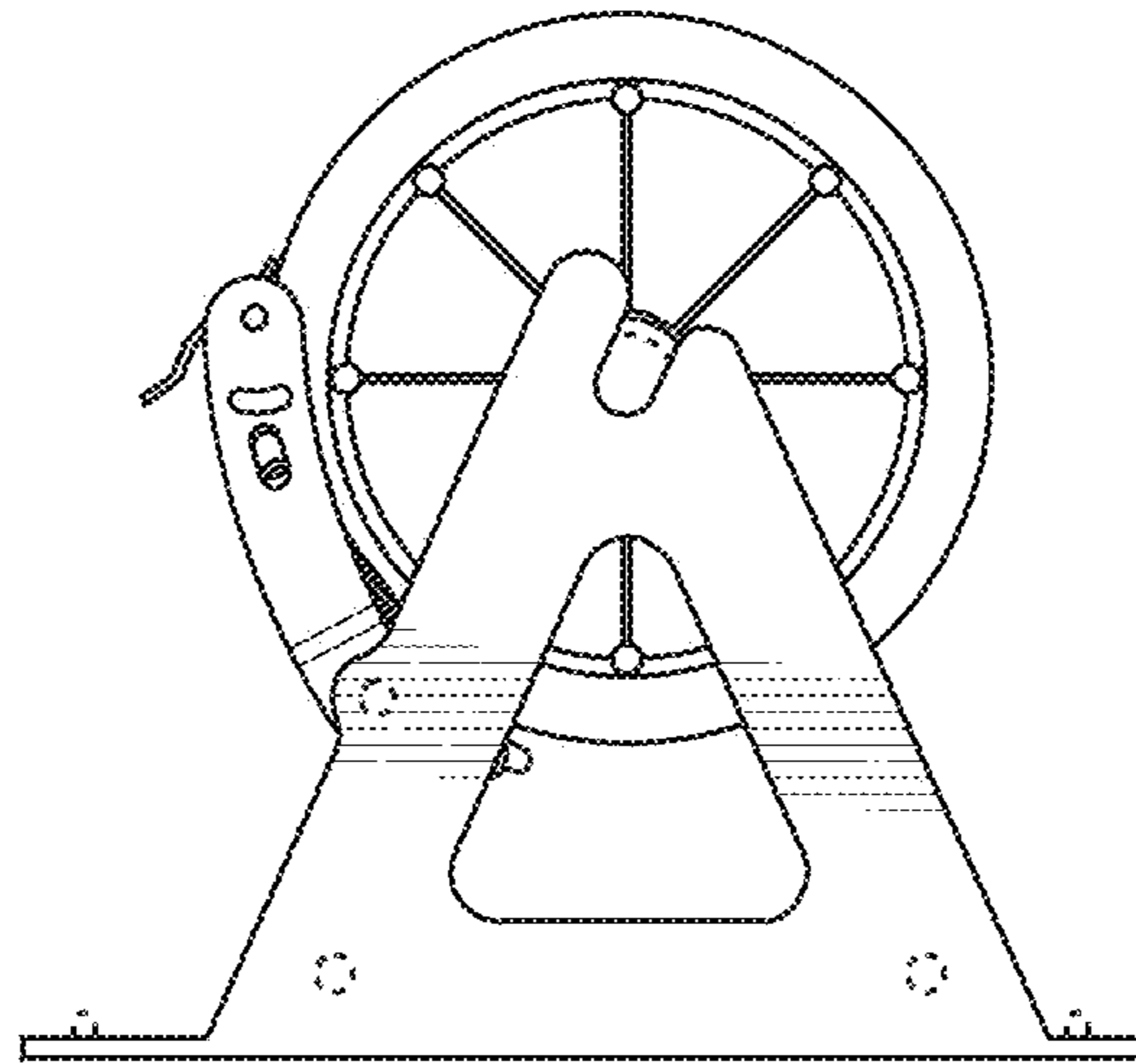


FIG. 4

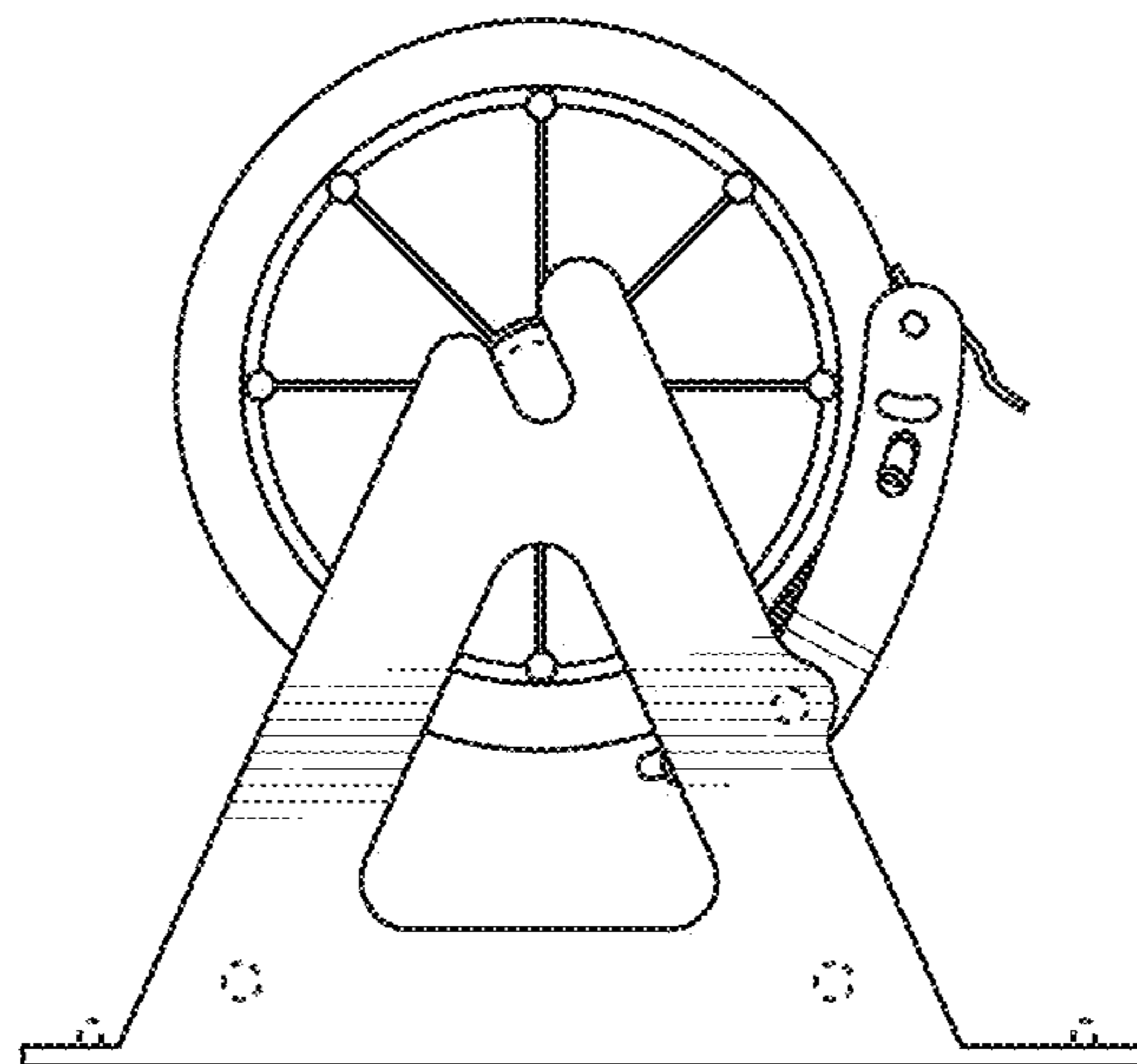


FIG. 5

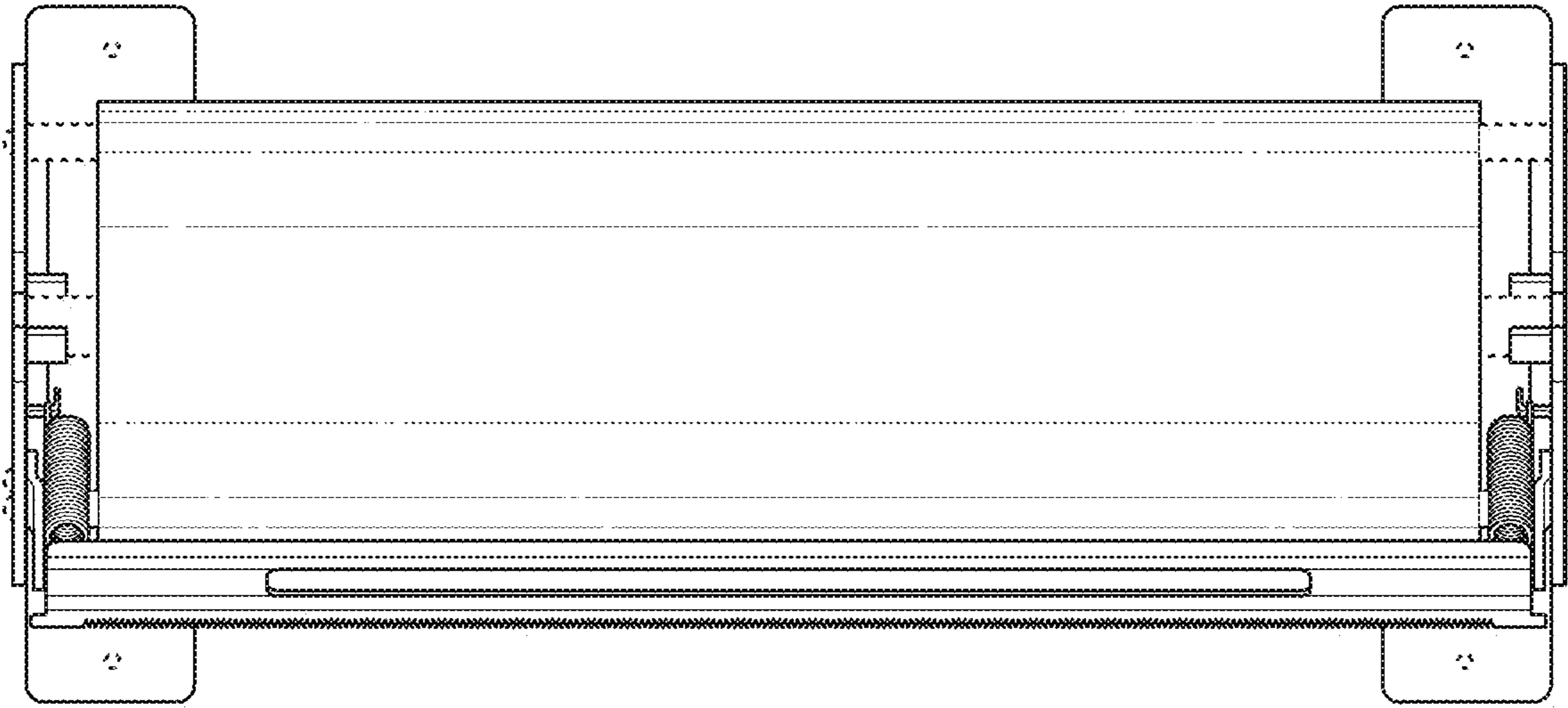


FIG. 6

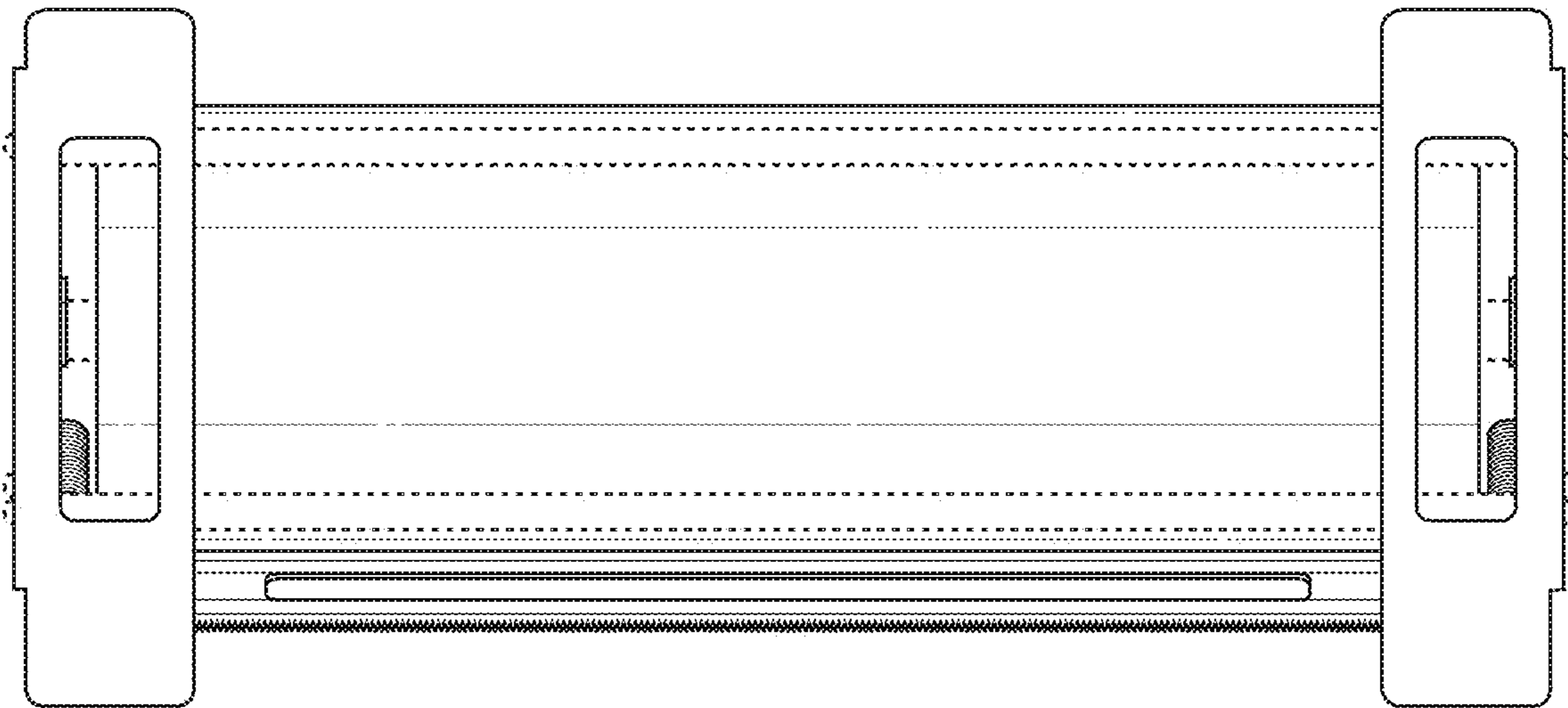


FIG. 7