

US00D967216S

(12) **United States Design Patent**
Ouyang

(10) **Patent No.:** **US D967,216 S**

(45) **Date of Patent:** **** Oct. 18, 2022**

(54) **ELECTRIC WAX MELTER**

(71) Applicants: **Jiang Ouyang**, Meizhou (CN); **Wei Chen**, Songzi (CN)

(72) Inventor: **Jiang Ouyang**, Meizhou (CN)

(73) Assignees: **Jiang Ouyang**, Meizhou (CN); **Wei Chen**, Songzi (CN)

(**) Term: **15 Years**

(21) Appl. No.: **29/813,475**

(22) Filed: **Oct. 29, 2021**

(51) **LOC (13) Cl.** **15-09**

(52) **U.S. Cl.**
USPC **D15/144.2**; D15/144; D15/144.1

(58) **Field of Classification Search**
USPC D15/122, 135, 136, 144, 144.1–144.2;
D7/323, 354–360, 391
CPC C22C 1/02; C21D 9/70; C21D 1/34; C03B
5/193; C03B 5/00; B22D 41/00; B22D
41/015; B22D 41/12; B22D 39/06; B22D
41/05; B22D 35/00; B22D 17/30; A47J
27/002; A47J 27/004; A47J 37/1257;
A47J 37/0629

See application file for complete search history.

(56) **References Cited**

U.S. PATENT DOCUMENTS

D176,002 S *	11/1955	Boldt	D7/360
D280,064 S *	8/1985	Obata	D7/360
D378,724 S *	4/1997	Young	D7/505
D382,767 S *	8/1997	Lien	D7/360
D444,994 S *	7/2001	Kalina	D7/360
D492,881 S *	7/2004	Bodum	D7/360
D626,784 S *	11/2010	Xie	D7/358
D682,010 S *	5/2013	Stith	
D809,852 S *	2/2018	Chang	D7/354
D868,528 S *	12/2019	Naito	
D878,139 S *	3/2020	Brook	D7/354

D937,033 S *	11/2021	Wu	D7/354
D941,078 S *	1/2022	Koszylko	D7/354
D942,077 S *	1/2022	Wei	D28/44.1

OTHER PUBLICATIONS

Aroparc, Electric Wax Melter for Candle Making, (first available Dec. 20, 2021), Amazon.com, URL:<<https://www.amazon.com/Electric-Melter-Melting-Pouring-Quick-Pour/dp/B09NVMTKMV>> (Year: 2021).*

DIY Gateway, Wax Melter for Candle Making, (first available Oct. 7, 2020), Amazon.com, URL:<<https://www.amazon.com/dp/B08KSYQZZ9>> (Year: 2020).*

(Continued)

Primary Examiner — Calvin E Vansant

Assistant Examiner — Mark T. Philipps

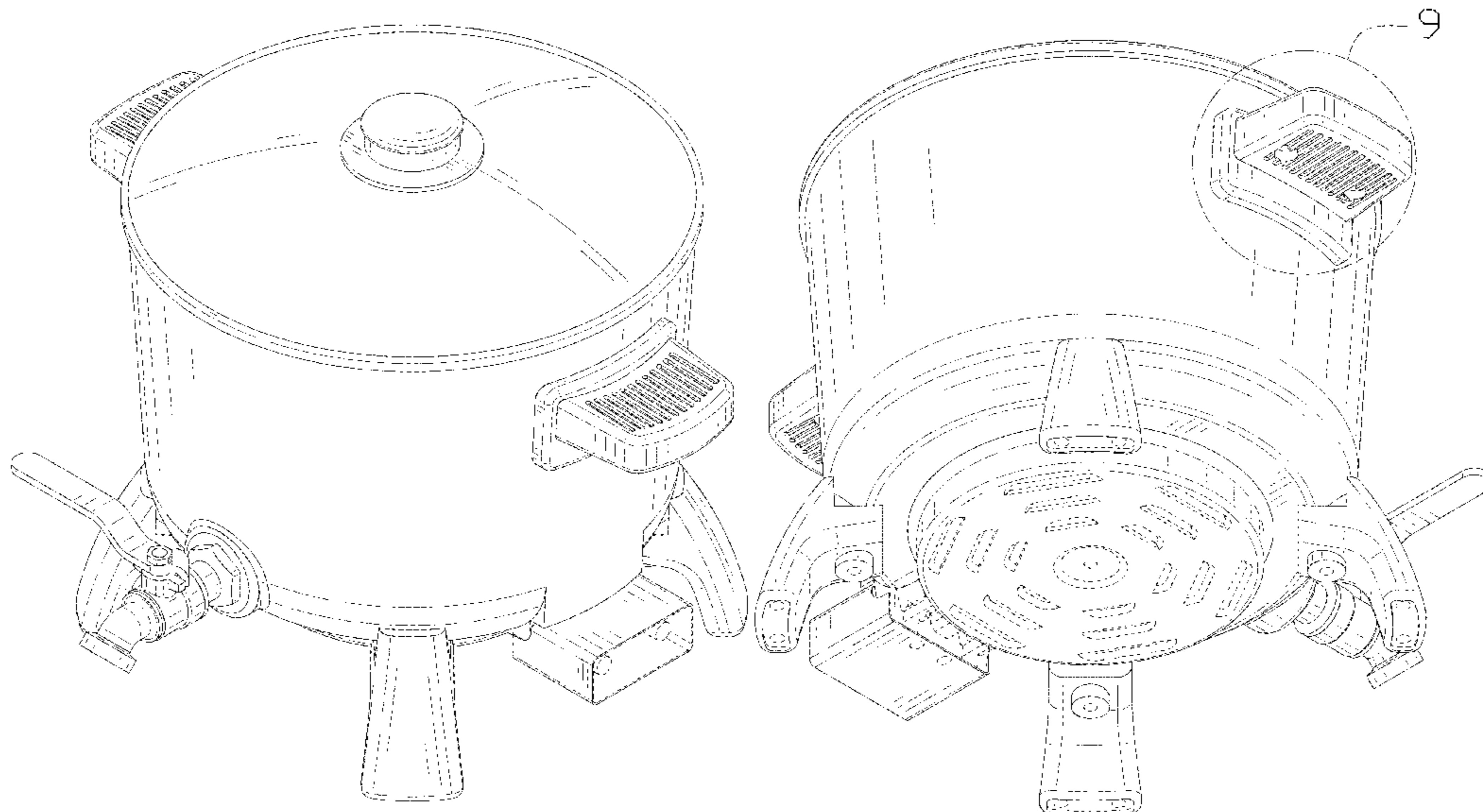
(57) **CLAIM**

The ornamental design for an electric wax melter, as shown and described.

DESCRIPTION

FIG. 1 is a perspective view of an electric wax melter showing my new design;
FIG. 2 is another perspective view thereof;
FIG. 3 is a front elevational view thereof;
FIG. 4 is a rear elevational view thereof;
FIG. 5 is a left side elevational view thereof;
FIG. 6 is a right side elevational view thereof;
FIG. 7 is a top plan view thereof;
FIG. 8 is a bottom plan view thereof; and,
FIG. 9 is an enlarged view of portion 9 shown in FIG. 2.
The dash-dash broken lines in the drawings depict portions of the electric wax melter that form no part of the claimed design. The dot-dash broken lines represent boundaries of the enlarged portion and form no part of the claimed design.

1 Claim, 9 Drawing Sheets



(56)

References Cited

OTHER PUBLICATIONS

Presto, National Presto 06009 10 Qt. Kitchen Kettle, (first available Jul. 1, 2019), Amazon.com, URL:<<https://www.amazon.com/National-Presto-06009-10-quart-Mult-Cooker/dp/B07TRNP5V7>> (Year: 2019).*

Soylite Candles, Wax Melter for Candle Making, (first available Jul. 5, 2017), Amazon.com, URL:<<https://www.amazon.com/Melter-Soy-Candle-Making-Paraffin/dp/B073R6CT7P>> (Year: 2017).*

Haqqi, Commercial Melter Candles Machine Automatic Electric Stainless Steel 28L, (first available Sep. 23, 2021), Amazon.com, URL:<<https://www.amazon.com/dp/B09GYBD6VS>> (Year: 2021).*

* cited by examiner

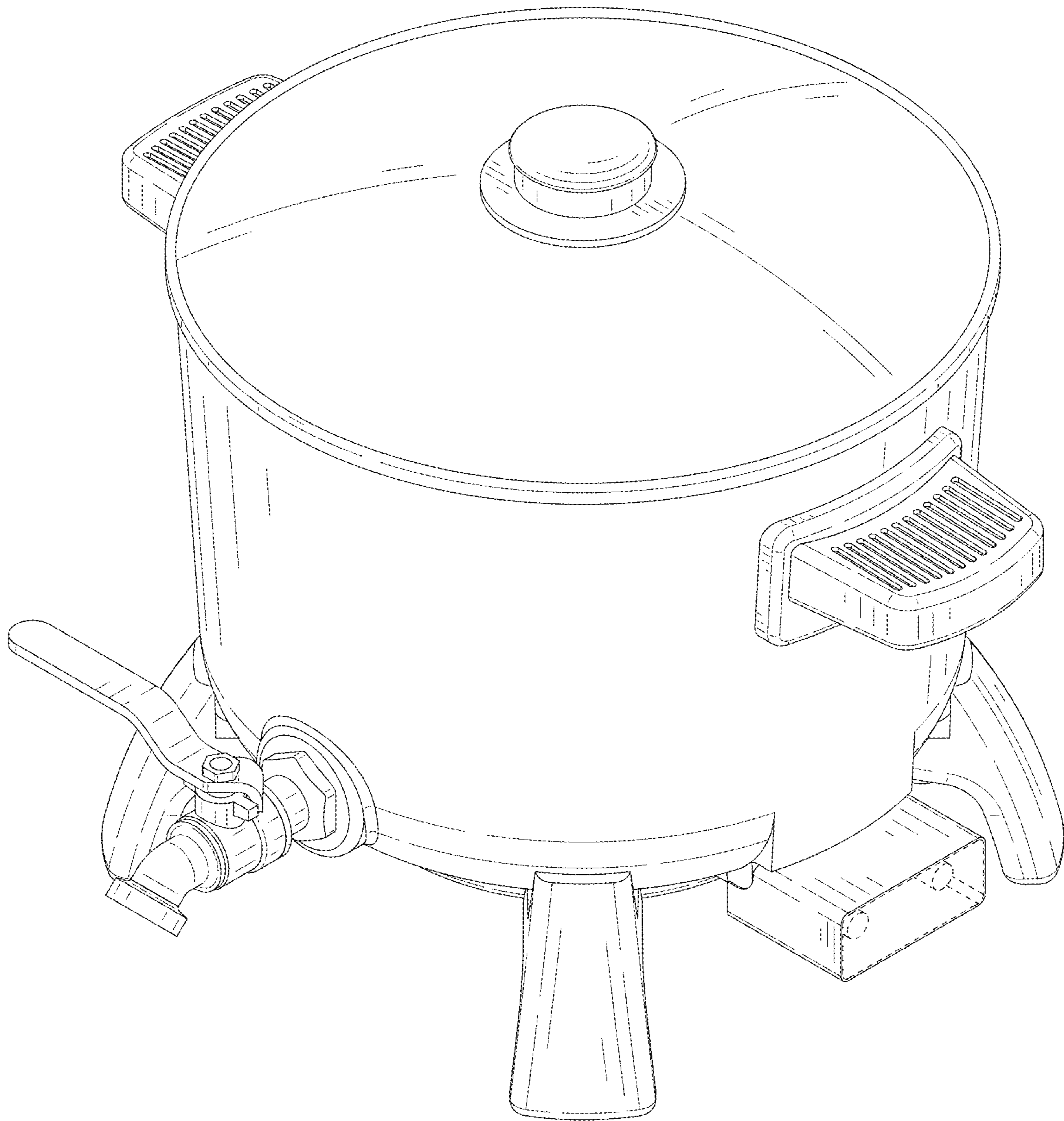


FIG. 1

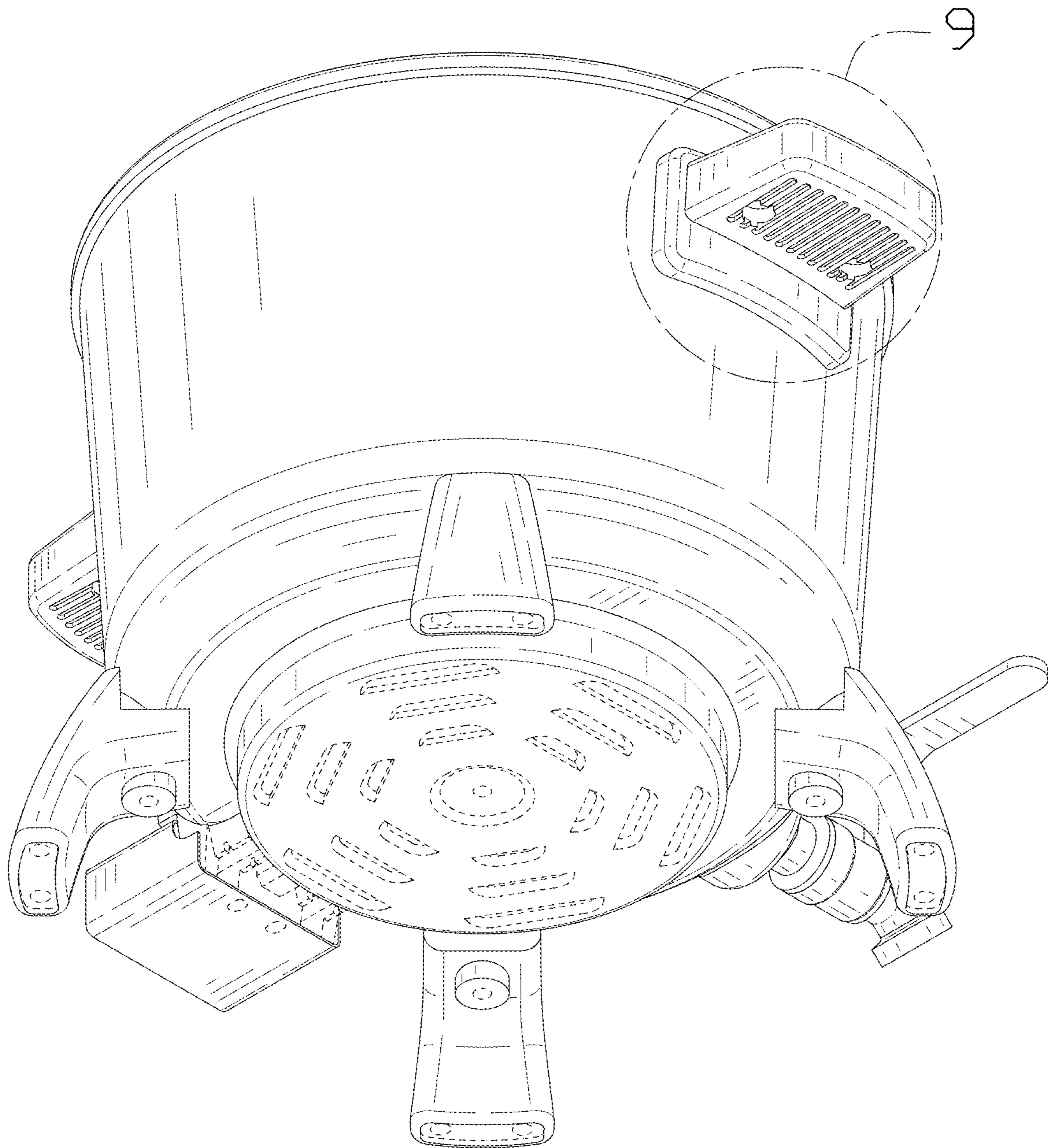


FIG. 2

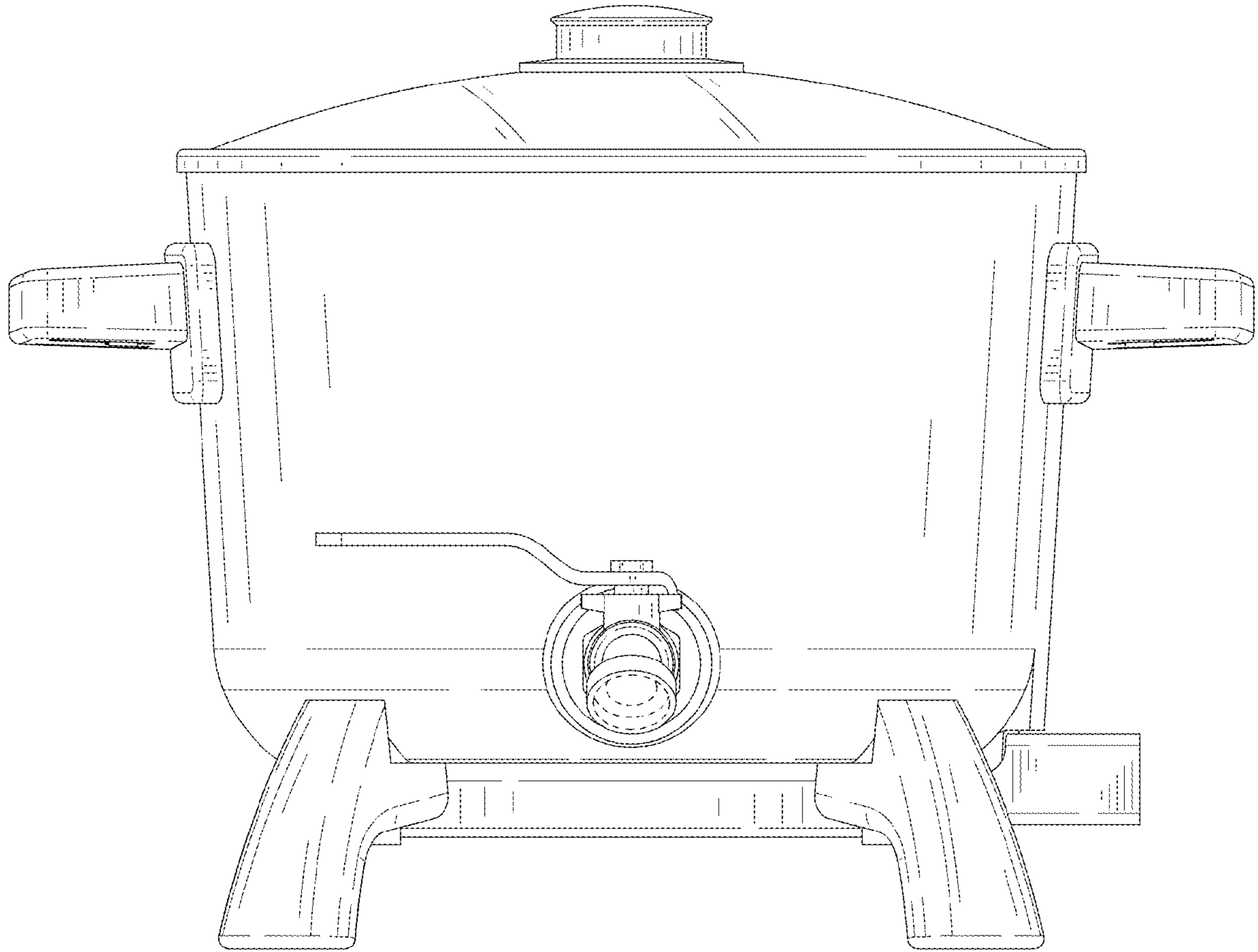


FIG. 3

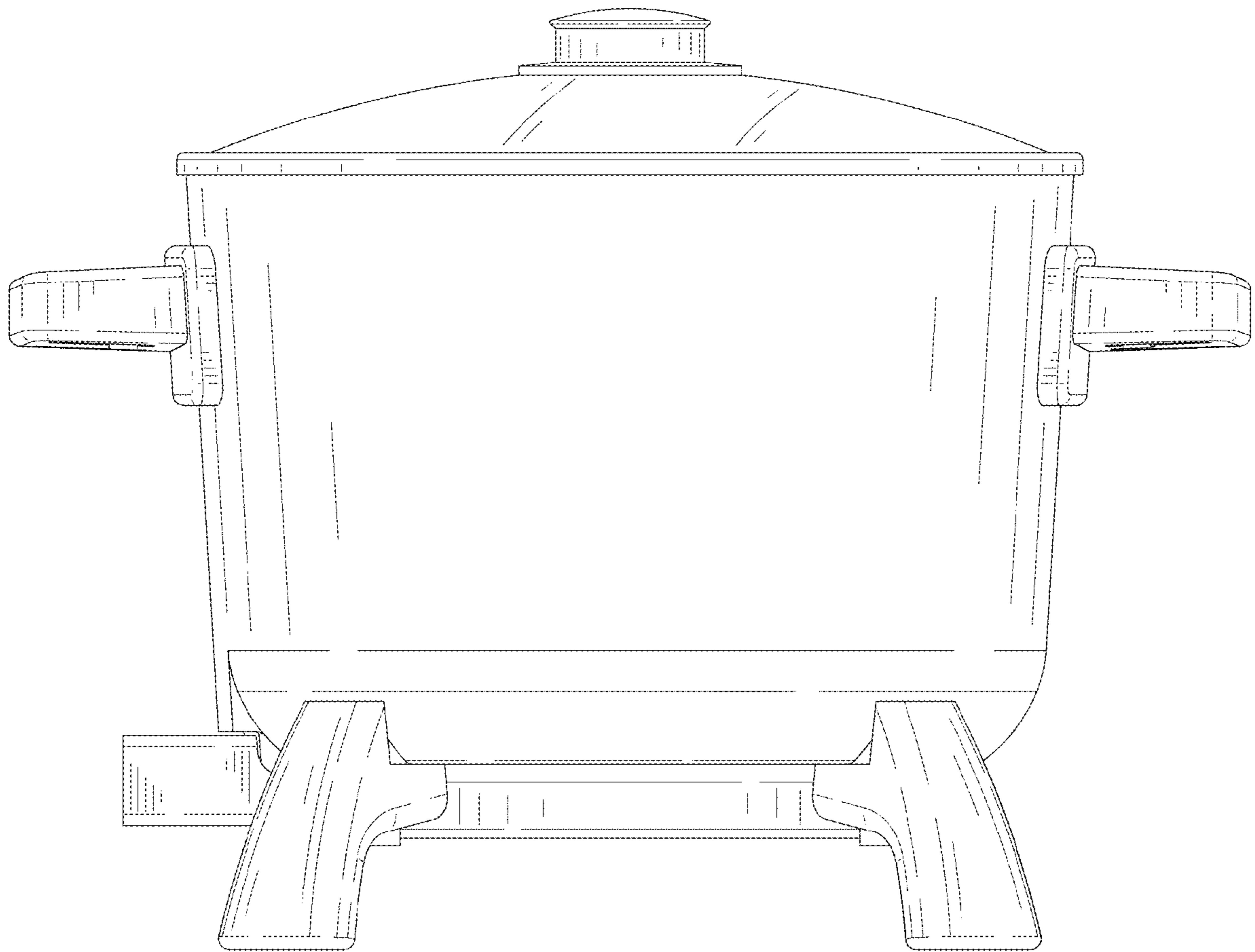


FIG. 4

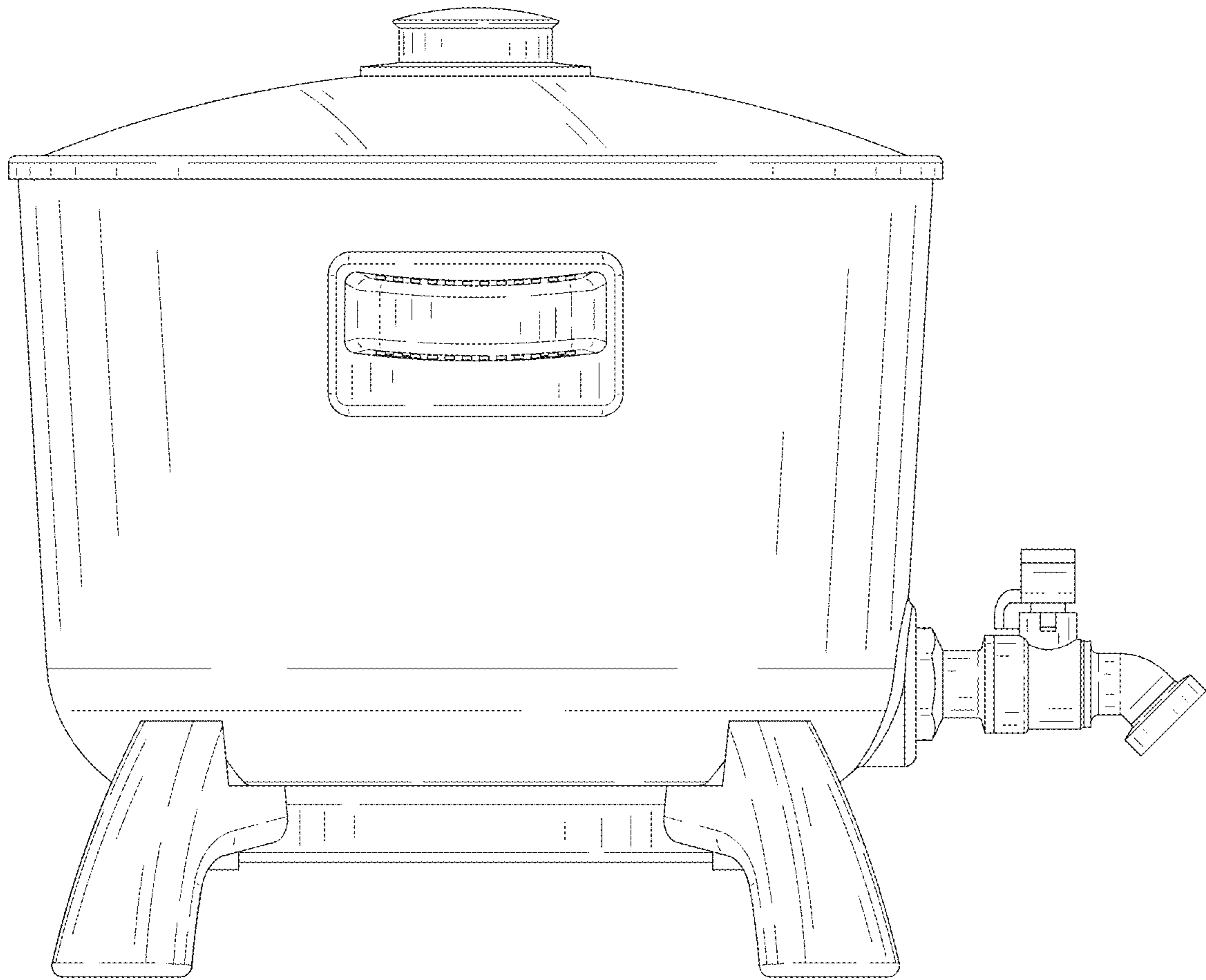


FIG. 5

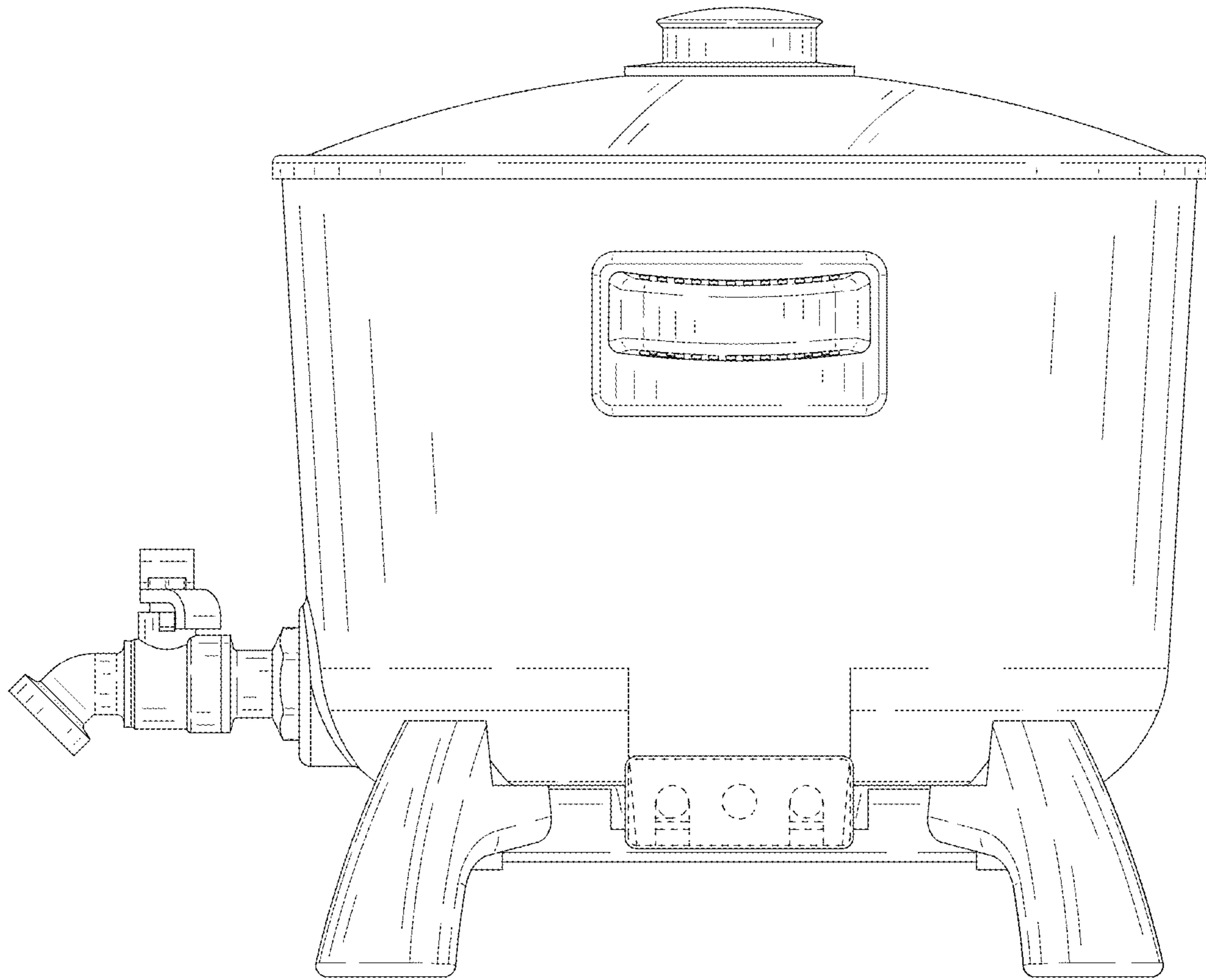


FIG. 6

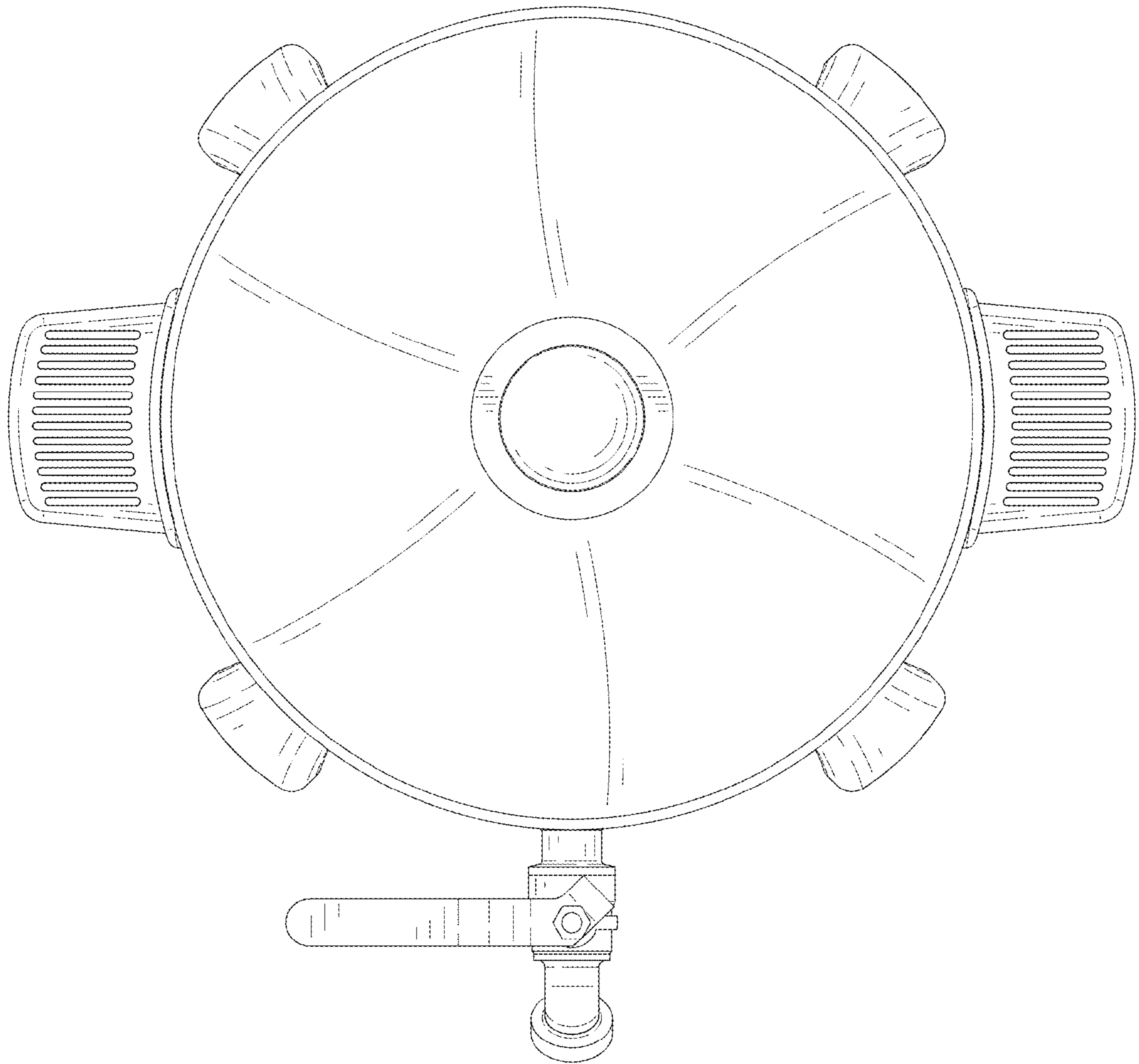


FIG. 7

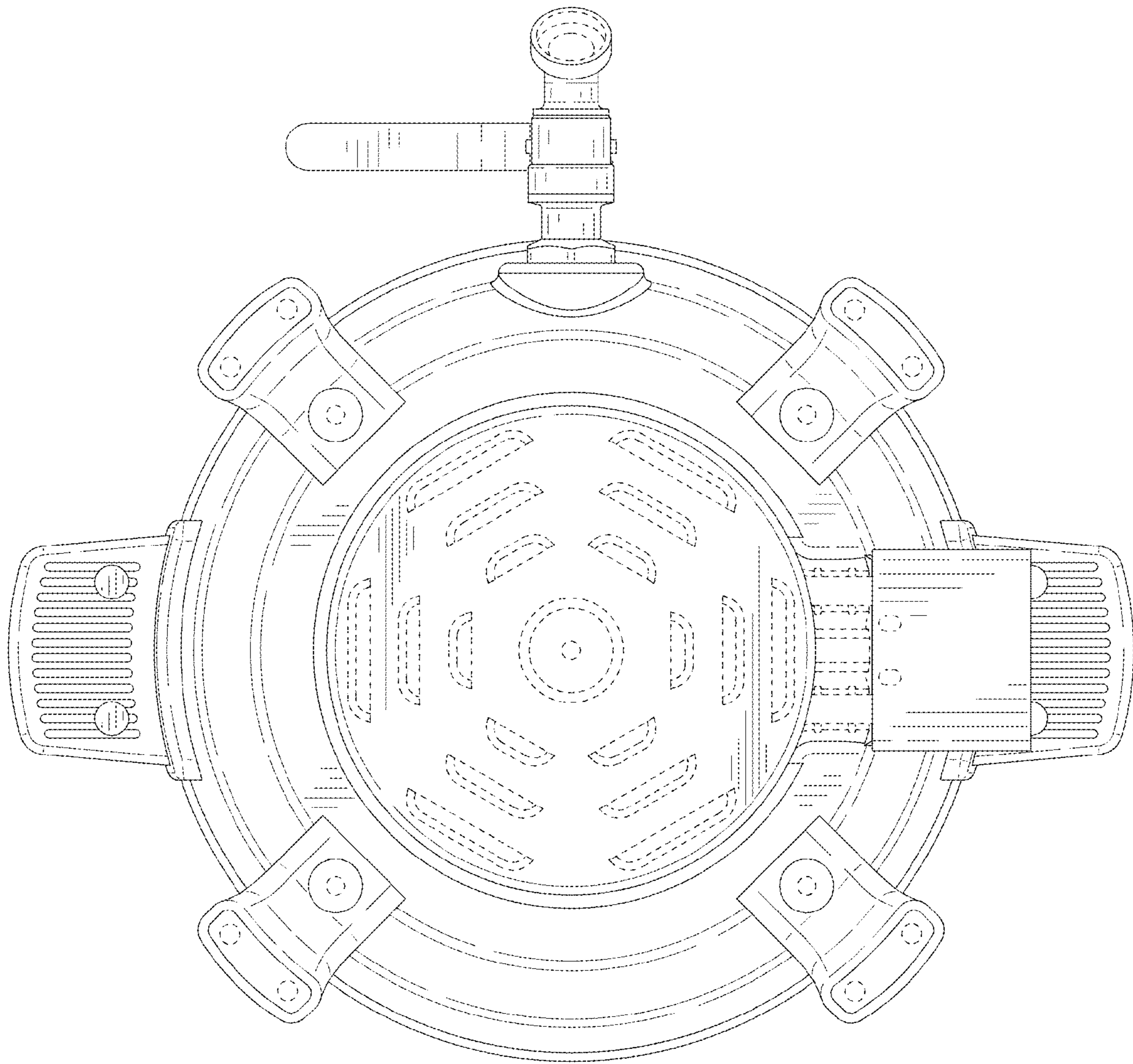


FIG. 8

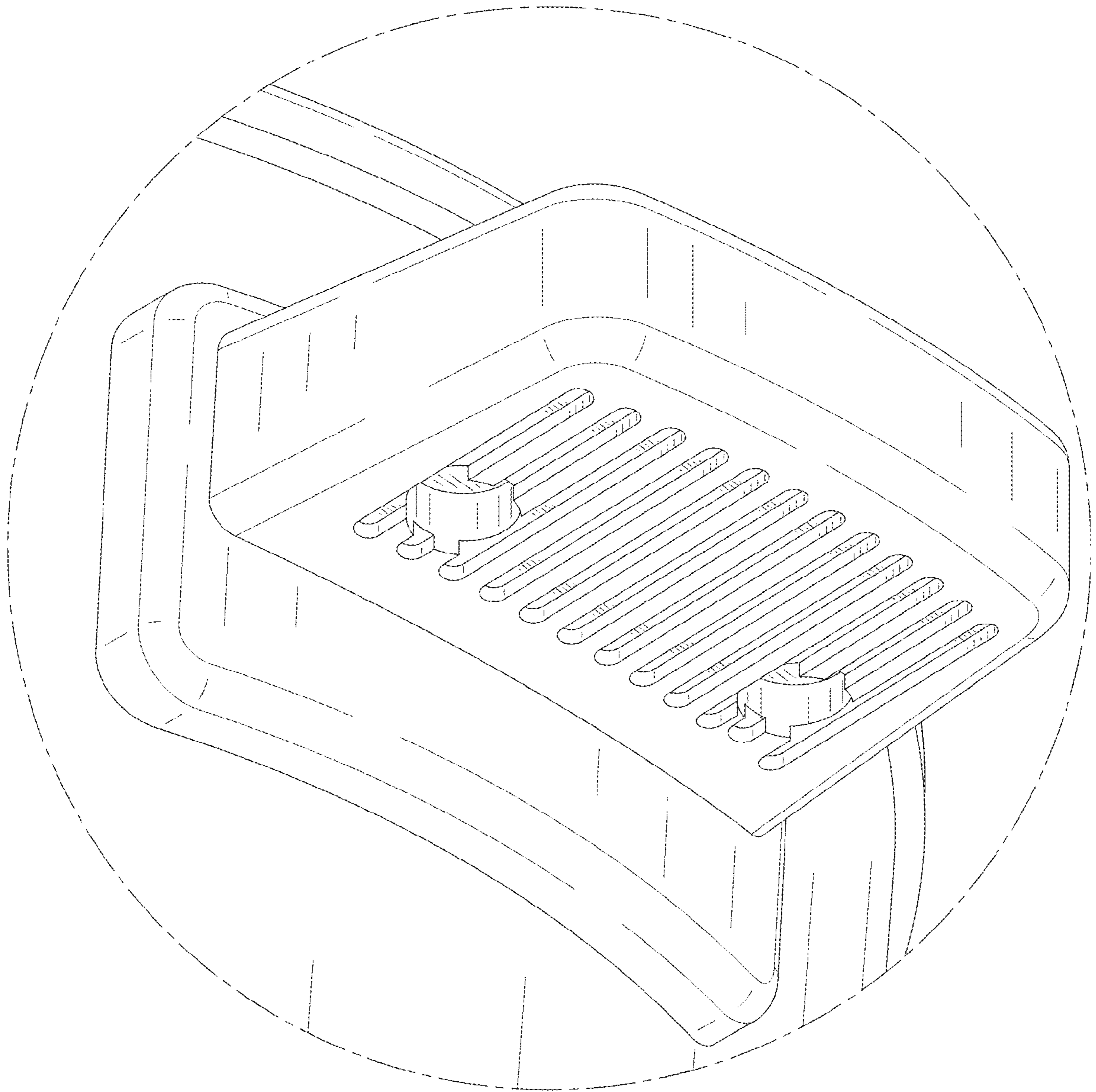


FIG. 9