



US00D967215S

(12) **United States Design Patent**  
**Wey et al.**

(10) **Patent No.: US D967,215 S**

(45) **Date of Patent: \*\* \*Oct. 18, 2022**

- (54) **DEVICE FOR MELTING GLUE**
- (71) Applicant: **Robatech AG**, Muri (CH)
- (72) Inventors: **Marcel Wey**, Sarmenstorf (CH); **Urs Mösli**, Winterhur (CH); **Christoph Käppeli**, Merenschwand (CH); **Martin Klinkert**, Besenbüren (CH)
- (73) Assignee: **ROBATECH AG**, Muri (CH)
- (\*) Notice: This patent is subject to a terminal disclaimer.
- (\*\*) Term: **15 Years**
- (21) Appl. No.: **29/774,081**
- (22) Filed: **Mar. 14, 2021**
- (30) **Foreign Application Priority Data**

Sep. 14, 2020 (EM) ..... 008167647-0006

(51) **LOC (13) Cl.** ..... **15-09**

(52) **U.S. Cl.**  
USPC ..... **D15/144**

(58) **Field of Classification Search**  
USPC ..... D8/29.1, 30; D15/144, 144.1, 144.2  
CPC ..... B05C 11/1042; B29B 13/022; B29K 2105/0097; B67D 7/6458  
See application file for complete search history.

(56) **References Cited**

**U.S. PATENT DOCUMENTS**

- 3,876,105 A \* 4/1975 Kelling ..... B29B 13/022  
118/202
- 4,227,069 A \* 10/1980 Gardner ..... B29B 13/022  
219/214
- D269,349 S \* 6/1983 Belter ..... D15/144
- D270,353 S \* 8/1983 Lewellen ..... D15/144
- D276,617 S \* 12/1984 Scholl ..... D15/144
- D282,262 S \* 1/1986 Ramazzotti ..... D15/145

- 4,790,455 A \* 12/1988 Dieringer ..... B29B 13/022  
222/146.2
- D360,422 S \* 7/1995 Frates ..... D15/144
- D388,800 S \* 1/1998 Zook ..... D15/144
- D411,553 S \* 6/1999 Scholl ..... D15/144
- D425,530 S \* 5/2000 Lafitte ..... D15/144
- D452,516 S \* 12/2001 Zook ..... D15/144.2
- 6,540,152 B2 \* 4/2003 Holm ..... B05C 5/0225  
239/71
- D482,376 S \* 11/2003 Jeter ..... D15/144

(Continued)

*Primary Examiner* — Patricia A Palasik

(74) *Attorney, Agent, or Firm* — Christopher C. Dremann, P.C.; Christopher C. Dremann

(57) **CLAIM**

The ornamental design for a device for melting glue, as shown and described.

**DESCRIPTION**

The patent or application file contains at least one drawing executed in color. Copies of this patent or patent application publication with color drawing(s) will be provided by the Office upon request and payment of the necessary fee.

FIG. 1 is a perspective view of a device for melting glue according to our design;

FIG. 2 is a front view of the device for melting glue of FIG. 1;

FIG. 3 is a rear view of the device for melting glue of FIG. 1;

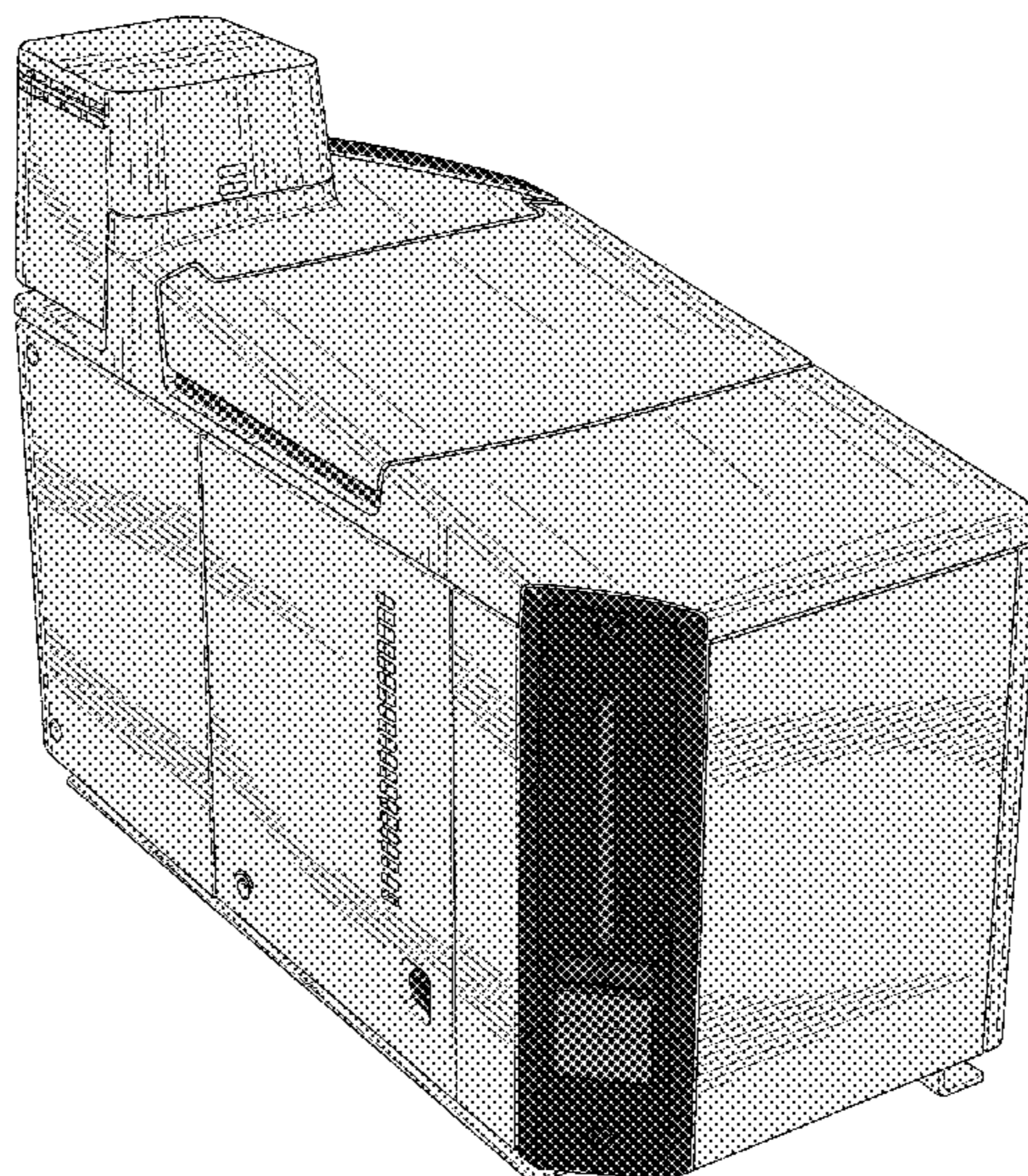
FIG. 4 is a left side view of the device for melting glue of FIG. 1;

FIG. 5 is a right side view of the device for melting glue of FIG. 1;

FIG. 6 is a top view of the device for melting glue of FIG. 1; and,

FIG. 7 is a bottom view of the device for melting glue of FIG. 1.

**1 Claim, 7 Drawing Sheets**  
**(7 of 7 Drawing Sheet(s) Filed in Color)**



(56)

**References Cited**

U.S. PATENT DOCUMENTS

D488,177 S *	4/2004	Dittmann .....	D15/144
D489,741 S *	5/2004	Calco .....	D15/144
D500,063 S *	12/2004	Jeter .....	D15/144
D504,694 S *	5/2005	Dittmann .....	D15/144
D556,798 S *	12/2007	Franco .....	D15/144
D562,368 S *	2/2008	Byerly .....	D15/144
D611,515 S *	3/2010	Chastine .....	D15/144
D691,184 S *	10/2013	Clark .....	D15/144.2
D777,231 S *	1/2017	Ide .....	D15/144
D815,674 S *	4/2018	Mößnang .....	D15/144
2003/0180035 A1 *	9/2003	Jamison .....	B05C 11/1042 392/471

\* cited by examiner

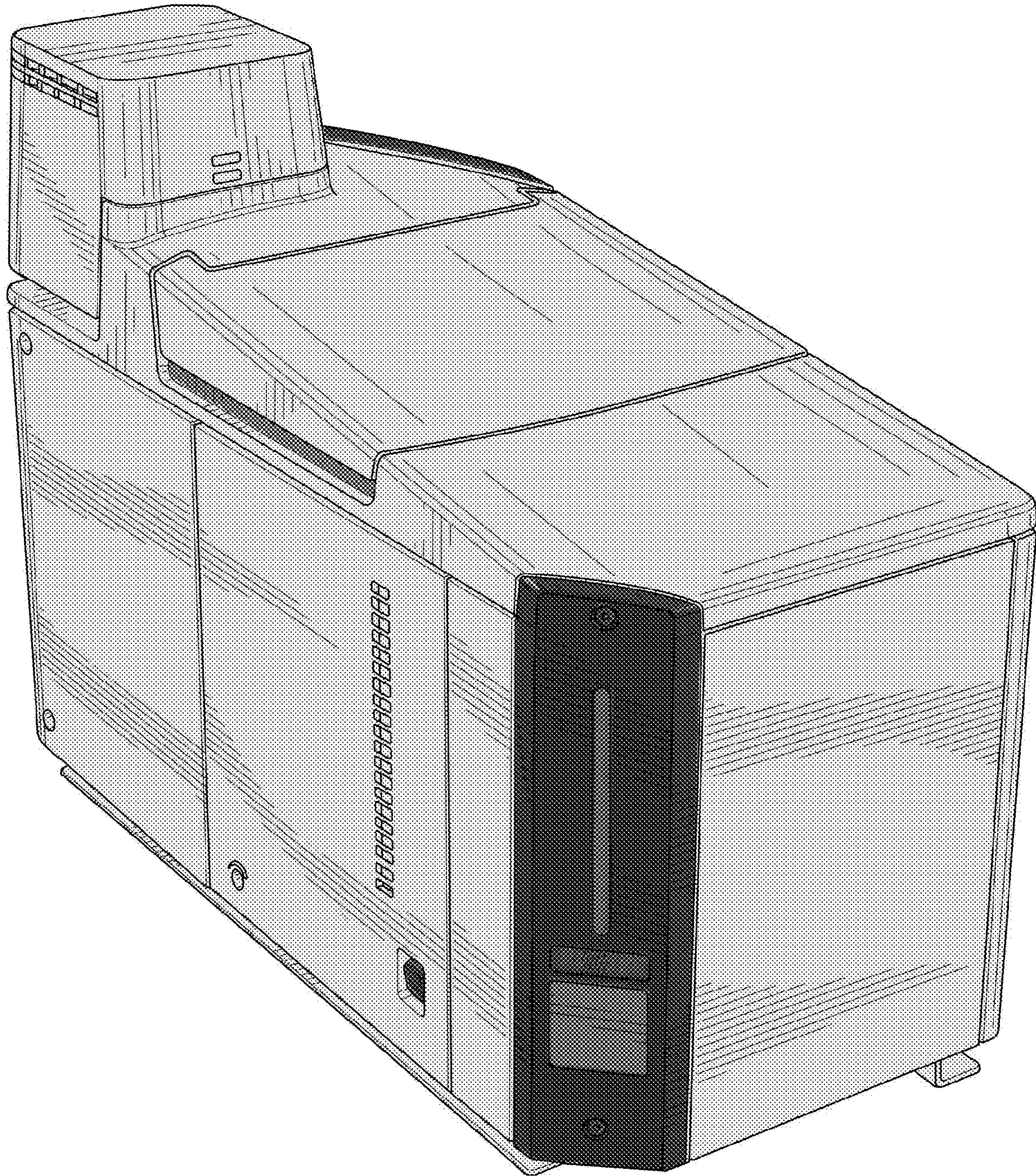


FIG. 1

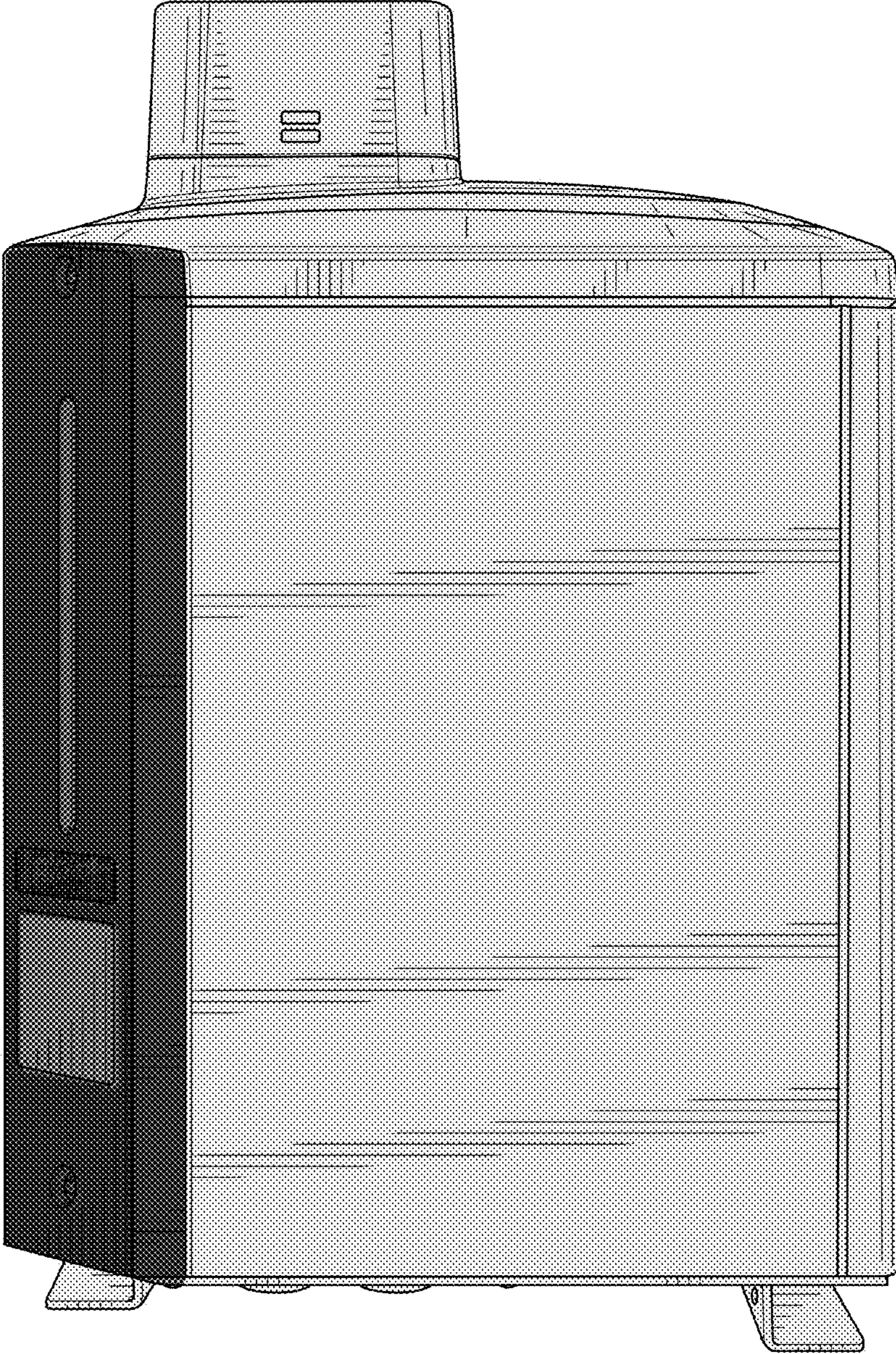


FIG. 2

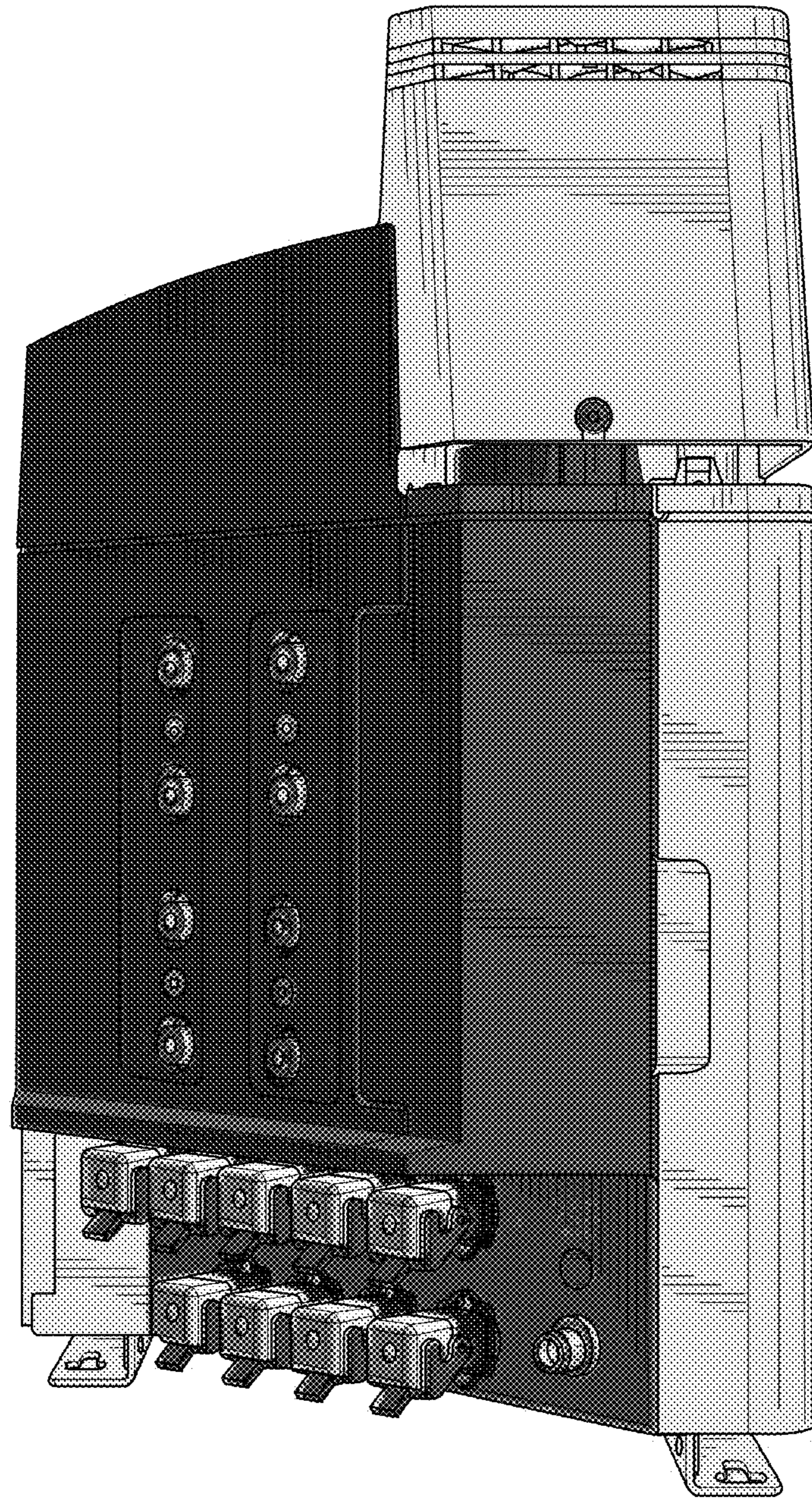


FIG. 3

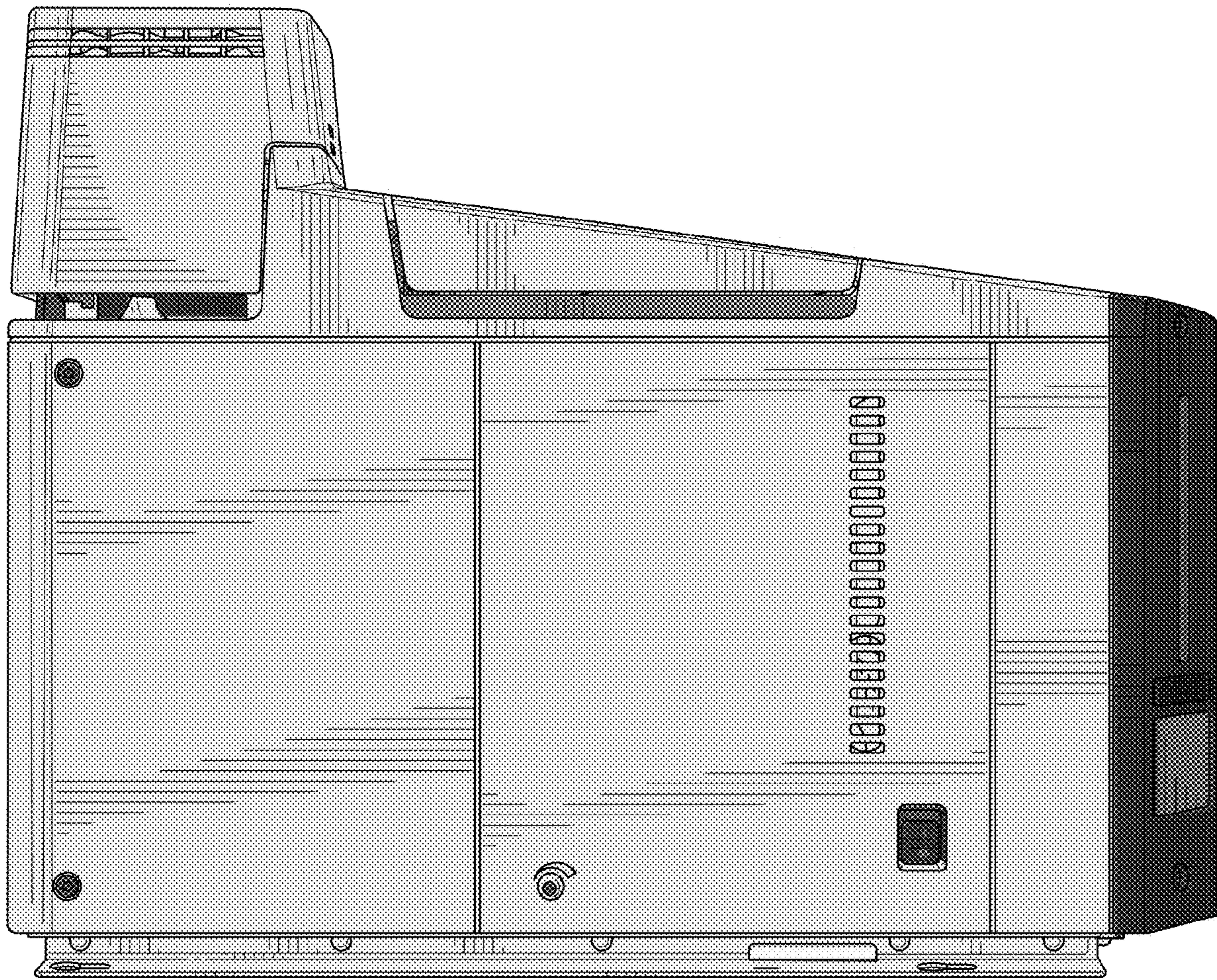


FIG. 4

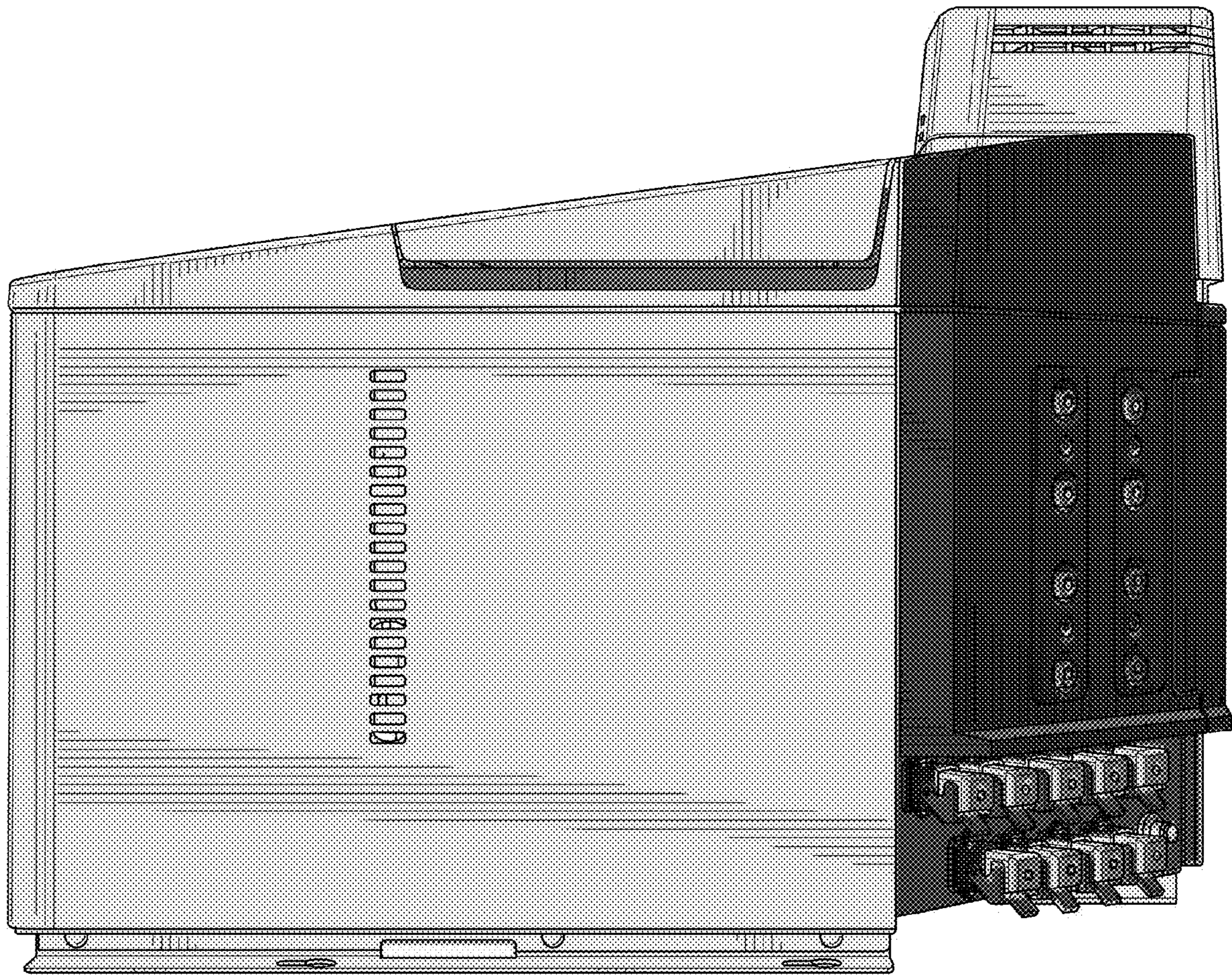


FIG. 5

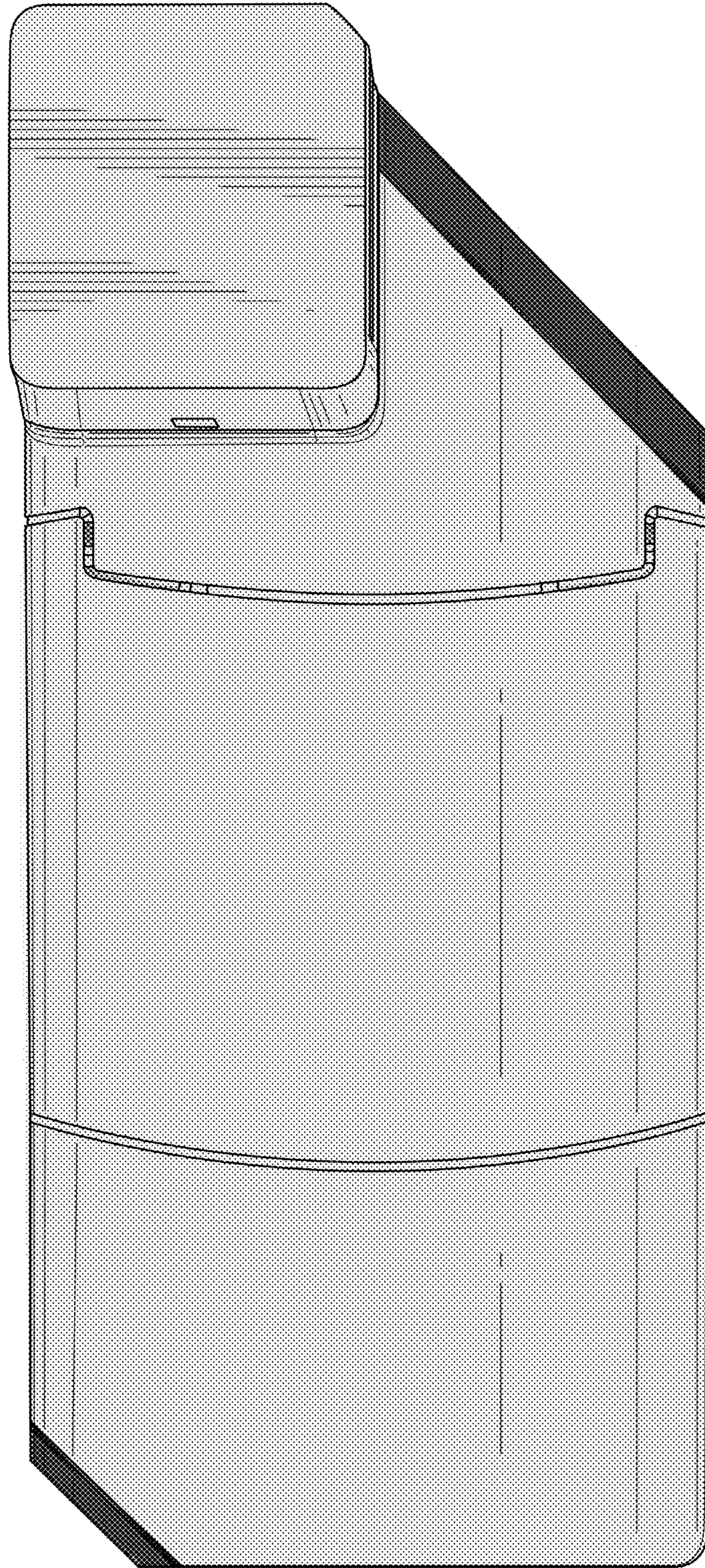


FIG. 6



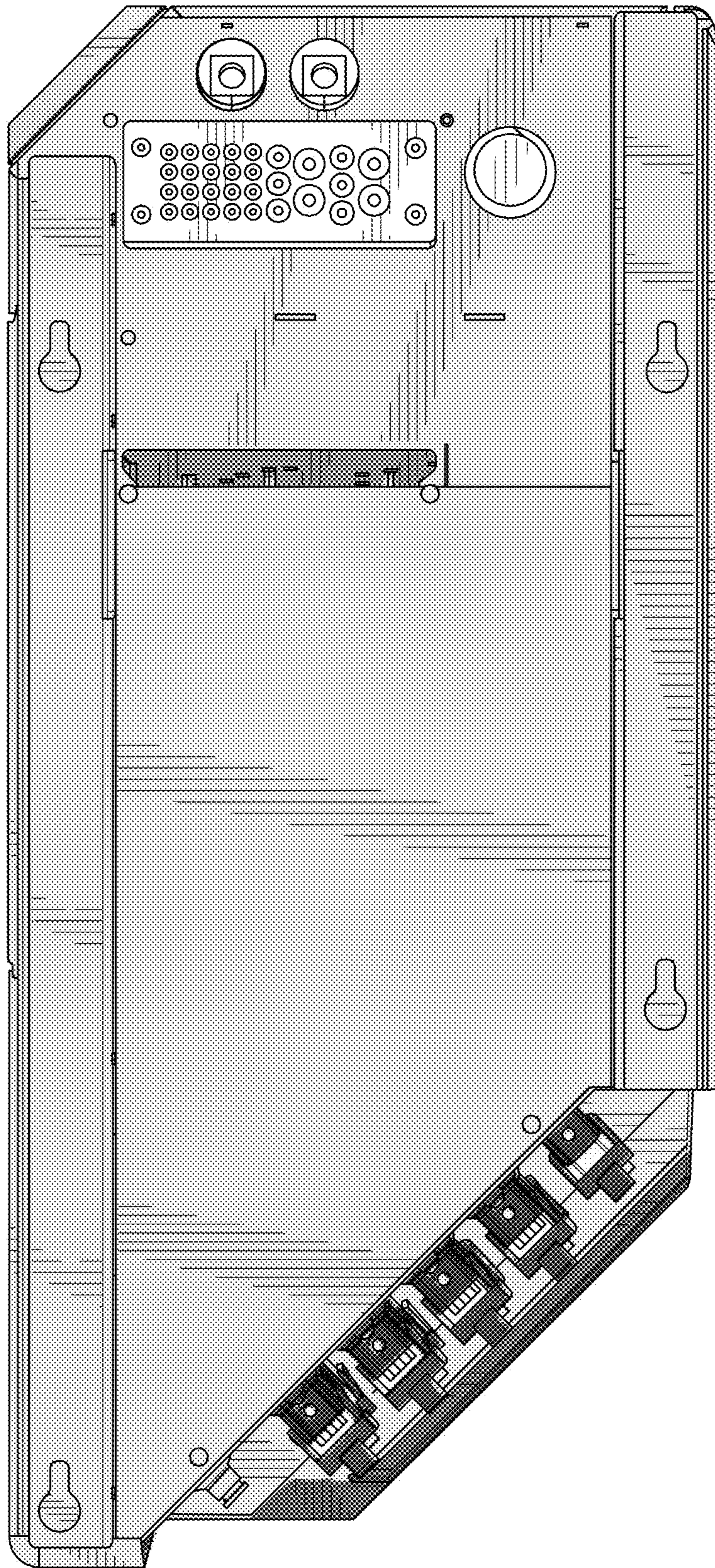


FIG. 7