

US00D967214S

(12) **United States Design Patent**
Wey et al.

(10) **Patent No.:** **US D967,214 S**
(45) **Date of Patent:** **** Oct. 18, 2022**

- (54) **DEVICE FOR MELTING GLUE**
- (71) Applicant: **Robatech AG**, Muri (CH)
- (72) Inventors: **Marcel Wey**, Sarmenstorf (CH); **Urs Mösli**, Winterhur (CH); **Christoph Käppeli**, Merenschwand (CH); **Martin Klinkert**, Besenbüren (CH)
- (73) Assignee: **ROBATECH AG**, Muri (CH)
- (**) Term: **15 Years**
- (21) Appl. No.: **29/774,080**
- (22) Filed: **Mar. 14, 2021**
- (30) **Foreign Application Priority Data**

- Sep. 14, 2020 (EM) 008167647-0005
- (51) **LOC (13) Cl.** **15-09**
- (52) **U.S. Cl.**
USPC **D15/144**
- (58) **Field of Classification Search**
USPC D8/29.1, 30; D15/144, 144.1, 144.2
CPC B05C 11/1042; B29B 13/022; B29K 2105/0097; B67D 7/6458
See application file for complete search history.

- (56) **References Cited**
U.S. PATENT DOCUMENTS
- 3,876,105 A * 4/1975 Kelling B29B 13/022
118/202
- 4,227,069 A * 10/1980 Gardner B29B 13/022
219/214
- D269,349 S * 6/1983 Belter D15/144
- D270,353 S * 8/1983 Lewellen D15/144
- D276,617 S * 12/1984 Scholl D15/144
- D282,262 S * 1/1986 Ramazzotti D15/145
- 4,790,455 A * 12/1988 Dieringer B29B 13/022
222/146.2

- D360,422 S * 7/1995 Frates D15/144
- D388,800 S * 1/1998 Zook D15/144
- D411,553 S * 6/1999 Scholl D15/144
- D425,530 S * 5/2000 Lafitte D15/144
- D452,516 S * 12/2001 Zook D15/144.2
- 6,540,152 B2 * 4/2003 Holm B05C 5/0225
239/71
- D482,376 S * 11/2003 Jeter D15/144
- D488,177 S * 4/2004 Dittmann D15/144
- D489,741 S * 5/2004 Calco D15/144
- D500,063 S * 12/2004 Jeter D15/144
- D504,694 S * 5/2005 Dittmann D15/144
- D556,798 S * 12/2007 Franco D15/144
- D562,368 S * 2/2008 Byerly D15/144
- D611,515 S * 3/2010 Chastine D15/144
- D691,184 S * 10/2013 Clark D15/144.2

(Continued)

Primary Examiner — Patricia A Palasik
(74) *Attorney, Agent, or Firm* — Christopher C. Dremann, P.C.; Christopher C. Dremann

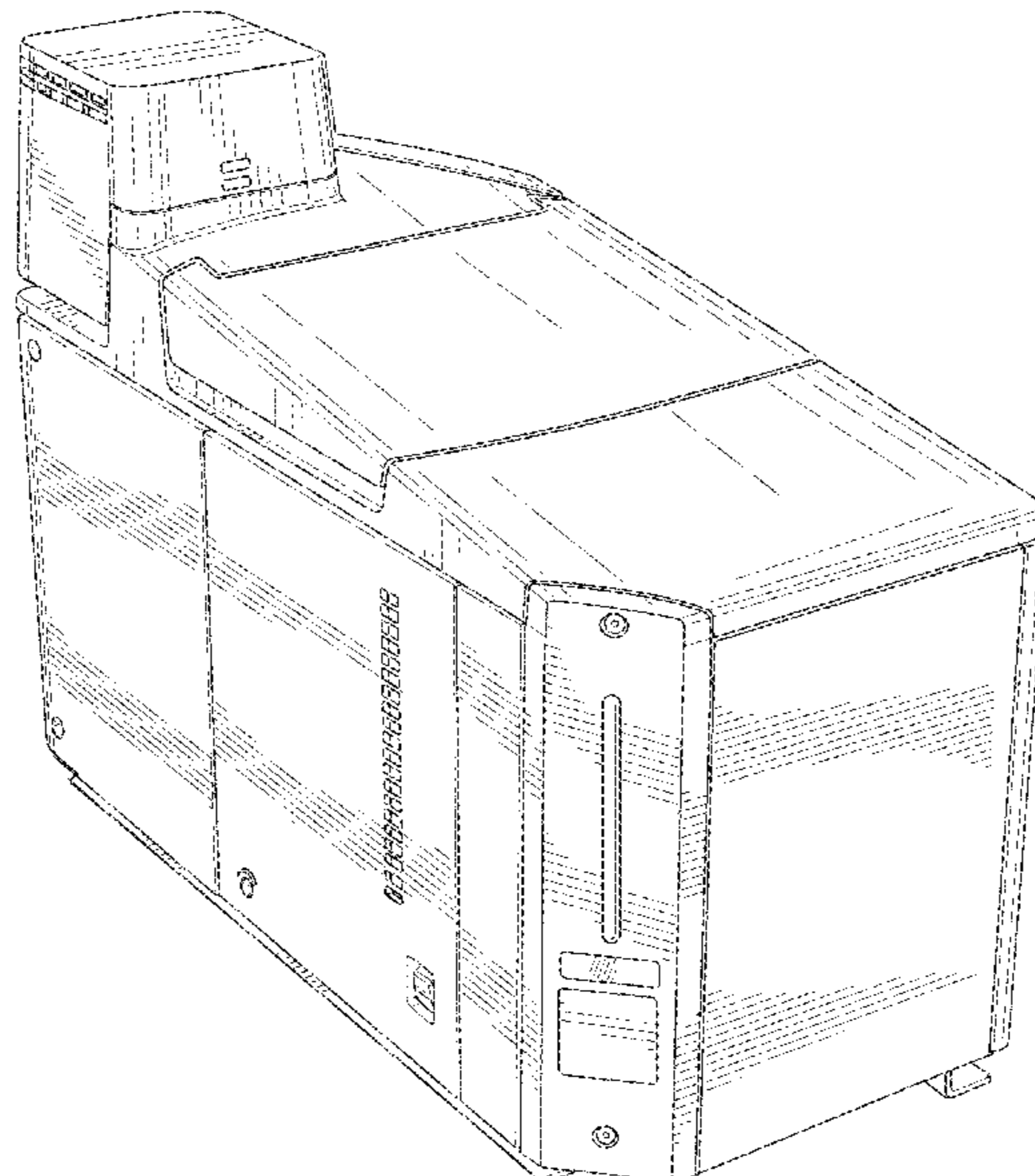
(57) **CLAIM**

The ornamental design for a device for melting glue, as shown and described.

DESCRIPTION

FIG. 1 is a perspective view of a device for melting glue according to our design;
FIG. 2 is a front view of the device for melting glue of FIG. 1;
FIG. 3 is a rear view of the device for melting glue of FIG. 1;
FIG. 4 is a left side view of the device for melting glue of FIG. 1;
FIG. 5 is a right side view of the device for melting glue of FIG. 1;
FIG. 6 is a top view of the device for melting glue of FIG. 1; and,
FIG. 7 is a bottom view of the device for melting glue of FIG. 1.

1 Claim, 7 Drawing Sheets



(56)

References Cited

U.S. PATENT DOCUMENTS

D777,231 S *	1/2017	Ide	D15/144
D815,674 S *	4/2018	Mößnang	D15/144
2003/0180035 A1 *	9/2003	Jamison	B05C 11/1042 392/471

* cited by examiner

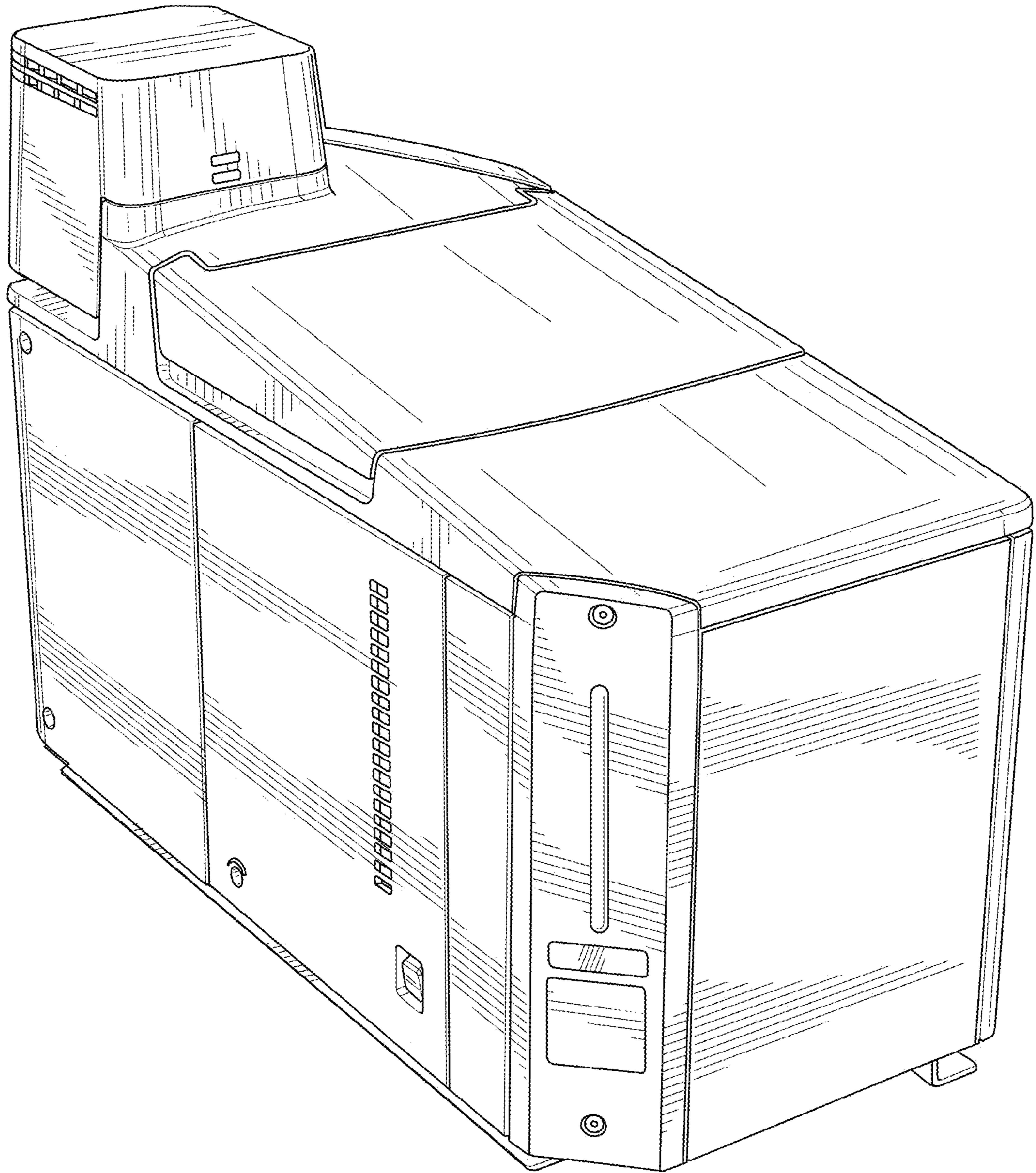


FIG. 1

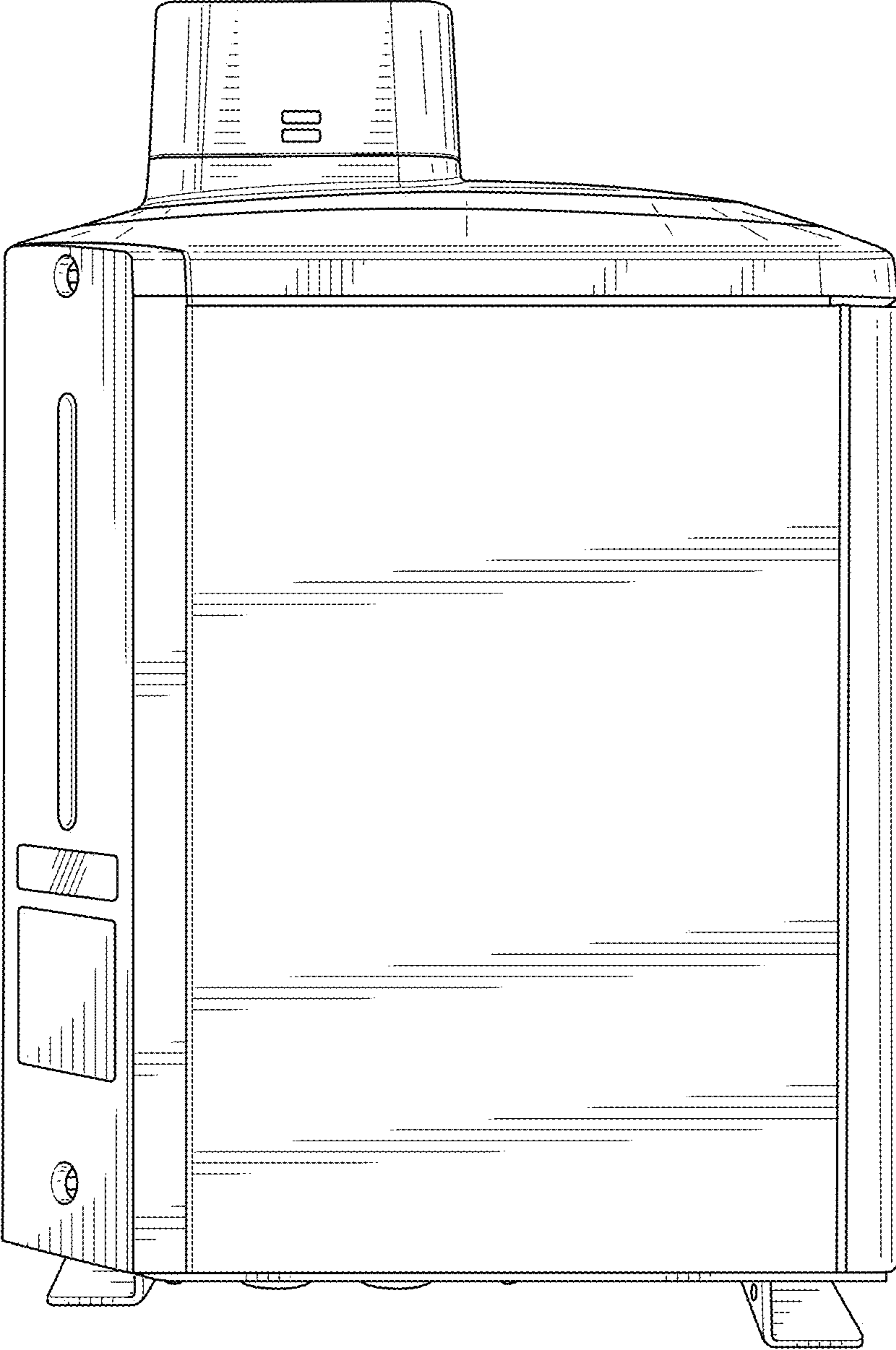


FIG. 2

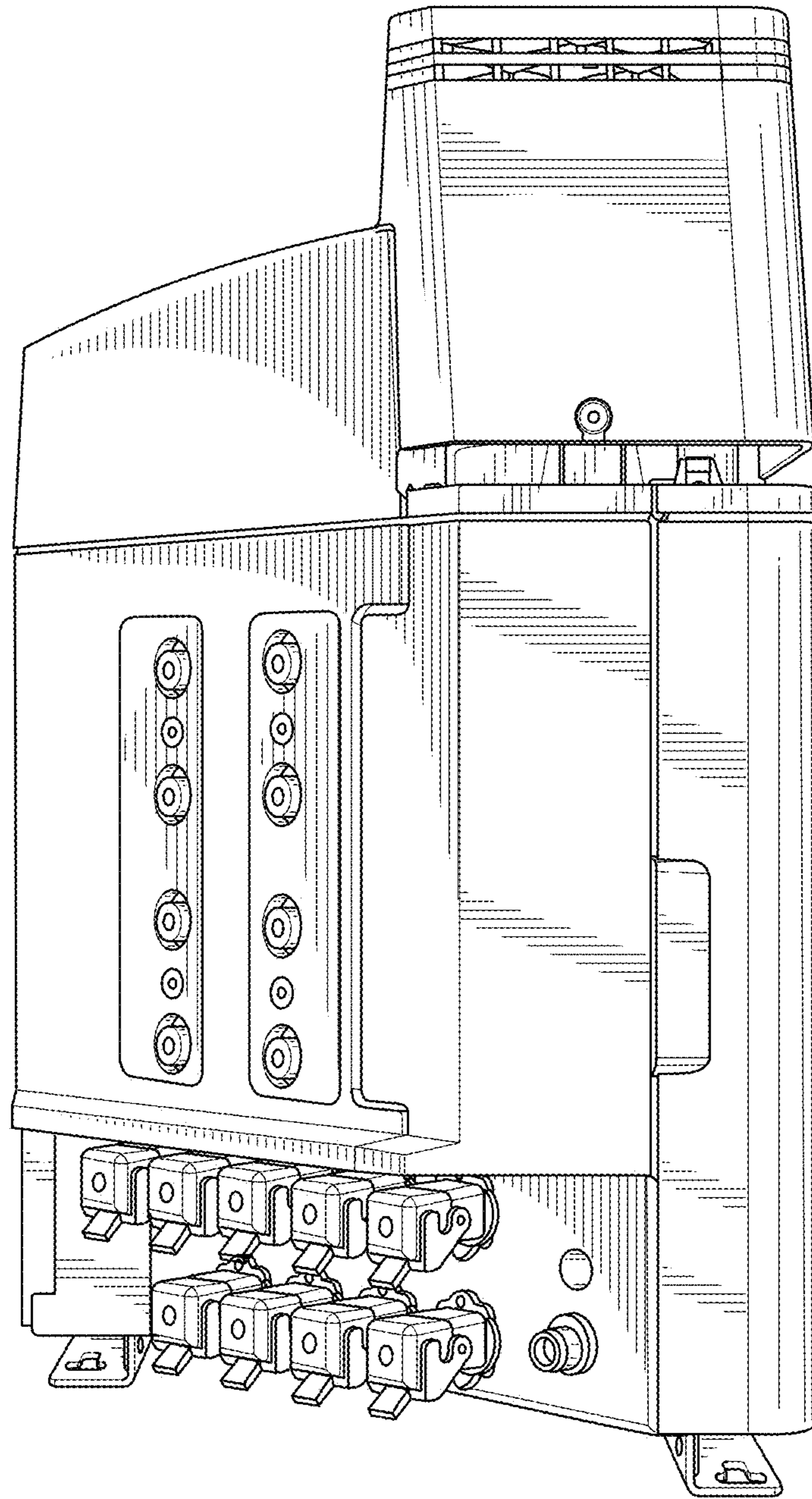


FIG. 3

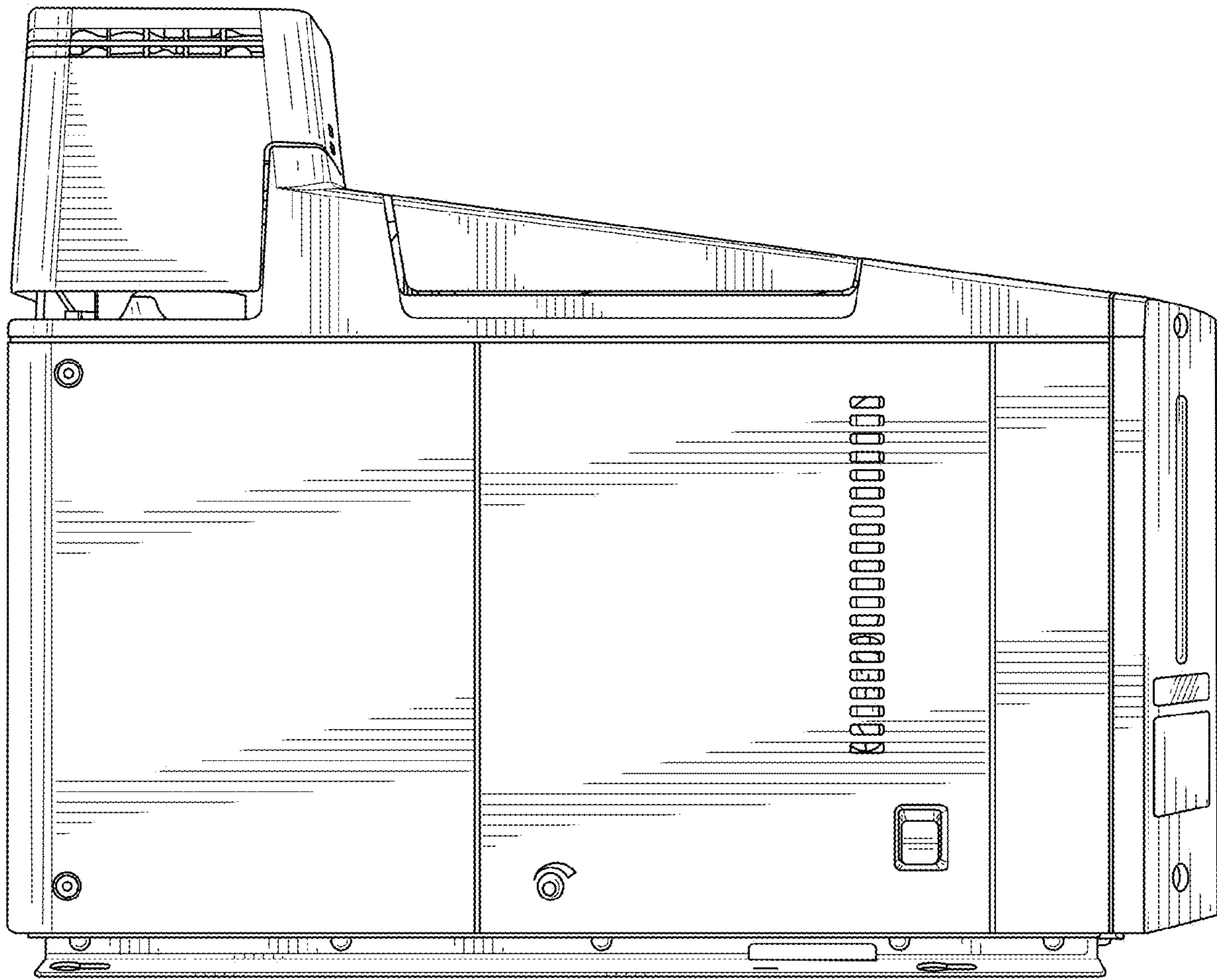


FIG. 4

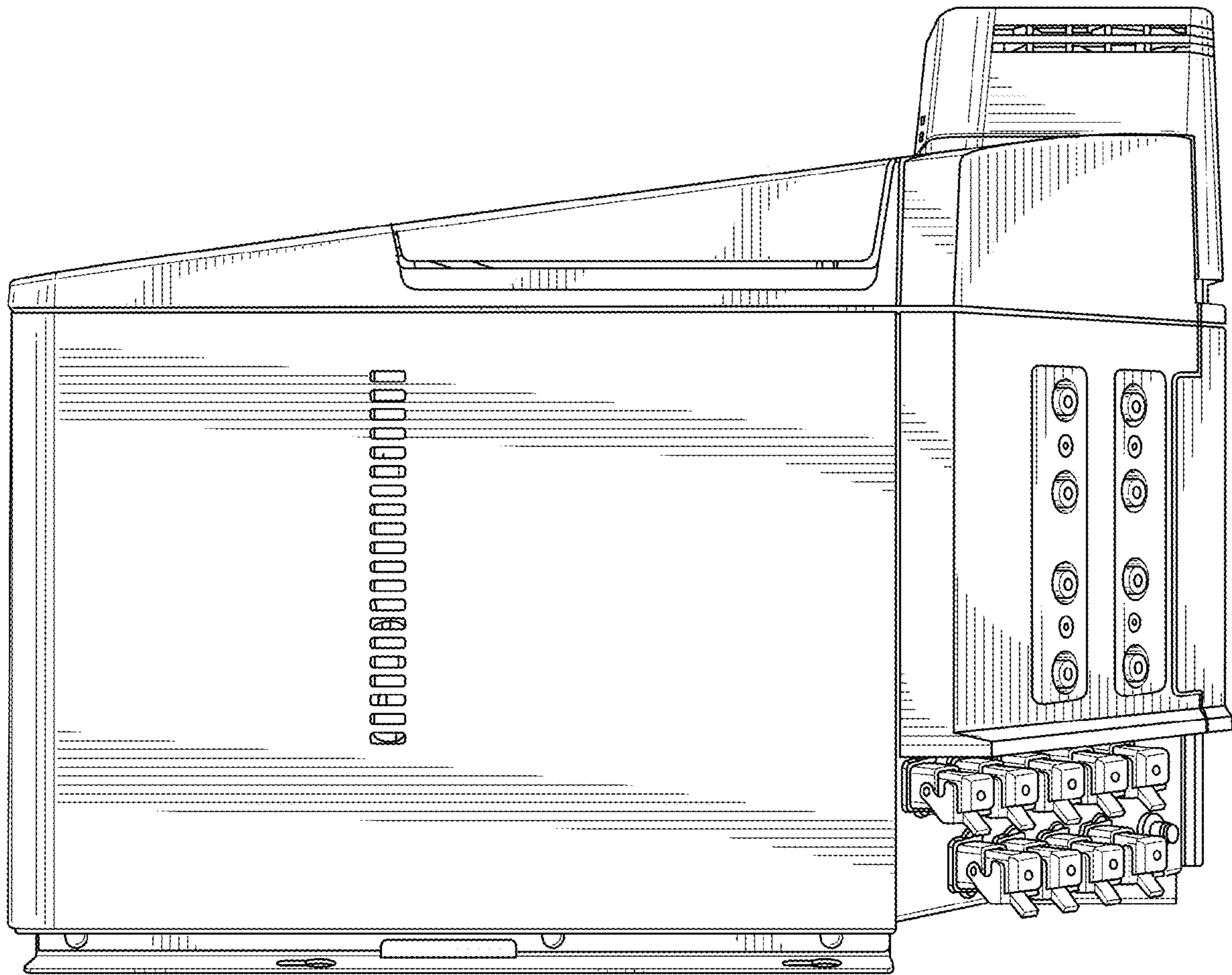


FIG. 5

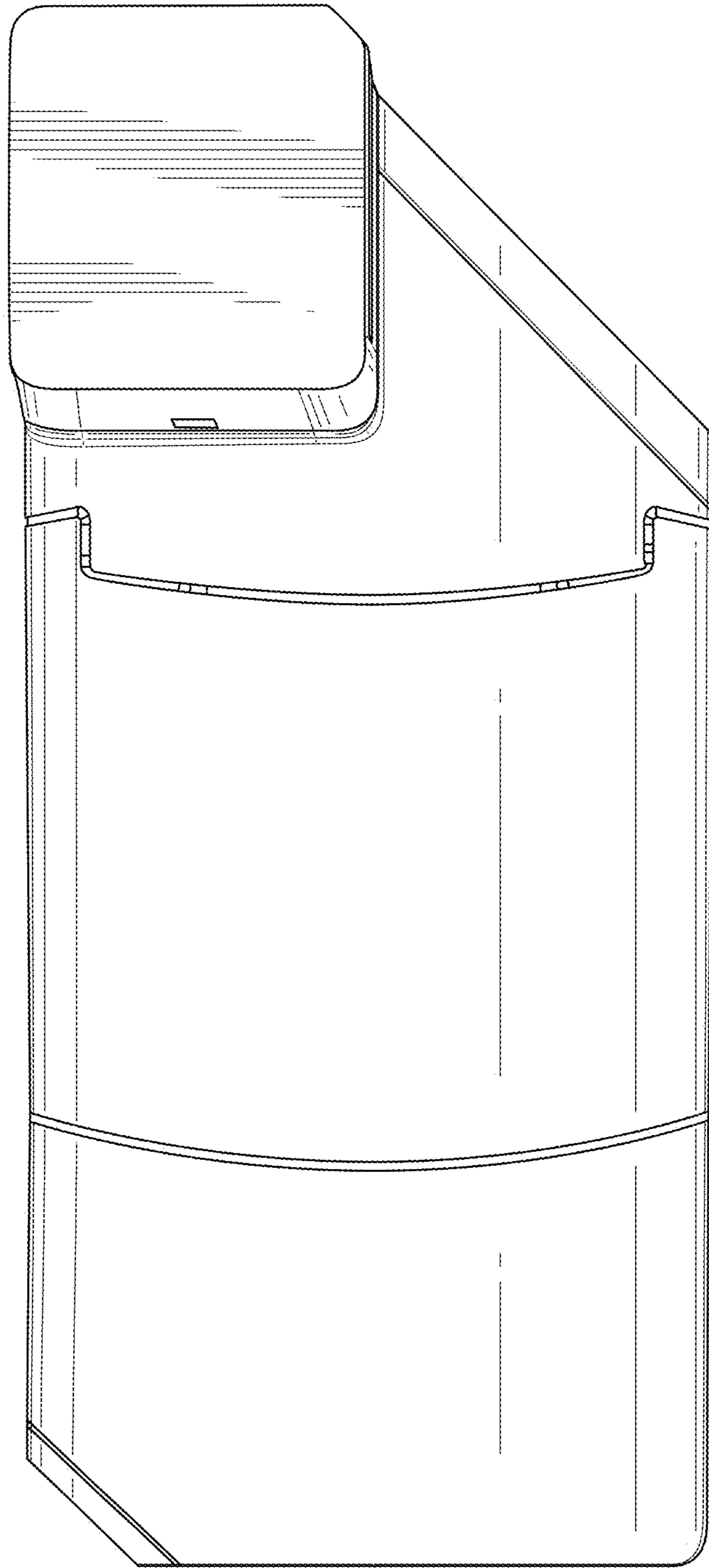


FIG. 6

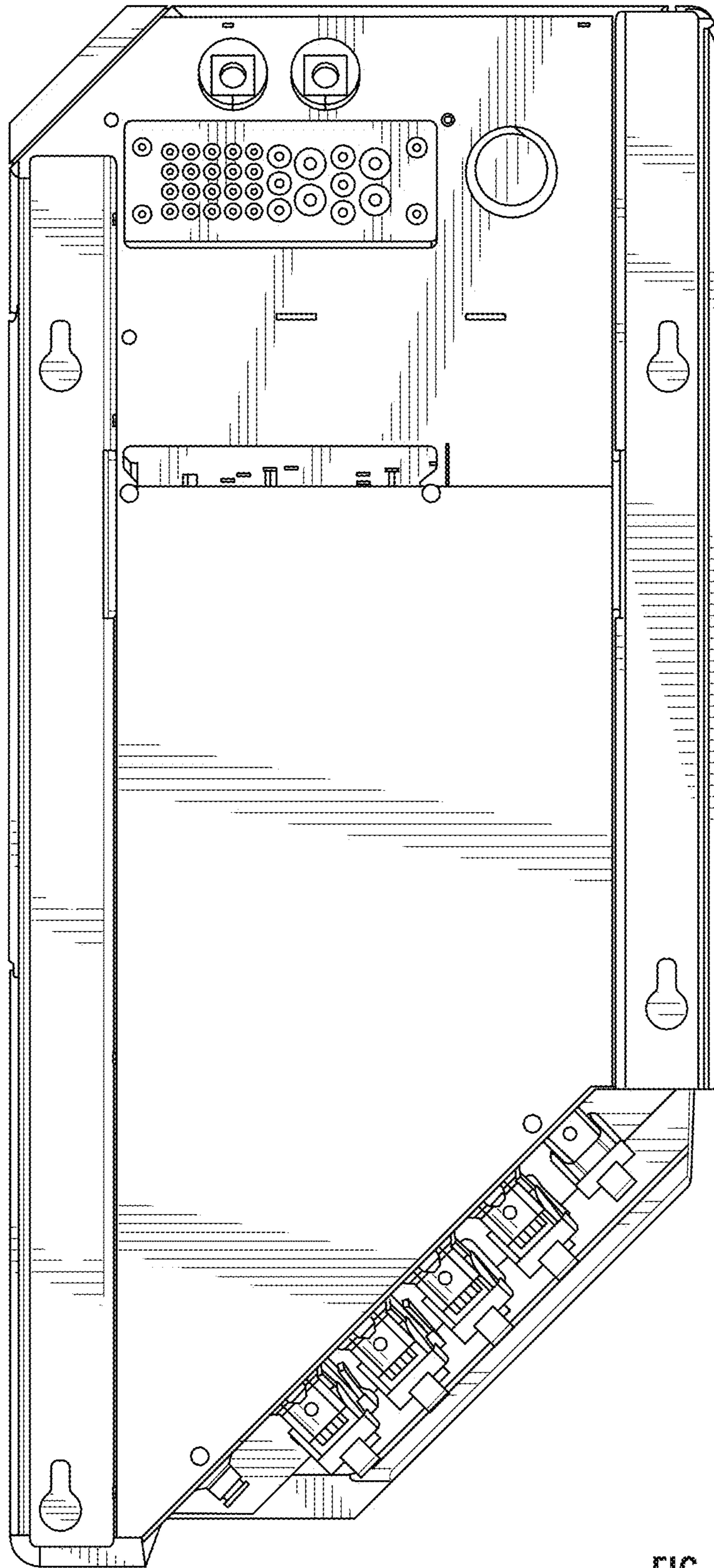


FIG. 7