



US00D967212S

(12) **United States Design Patent**
Wey et al.

(10) **Patent No.:** **US D967,212 S**
(45) **Date of Patent:** **** *Oct. 18, 2022**

- (54) **DEVICE FOR MELTING GLUE**
- (71) Applicant: **Robatech AG**, Muri (CH)
- (72) Inventors: **Marcel Wey**, Sarmenstorf (CH); **Urs Mösli**, Winterhur (CH); **Christoph Käppeli**, Merenschwand (CH); **Martin Klinkert**, Besenbüren (CH)
- (73) Assignee: **ROBATECH AG**, Muri (CH)
- (*) Notice: This patent is subject to a terminal disclaimer.
- (**) Term: **15 Years**
- (21) Appl. No.: **29/774,077**
- (22) Filed: **Mar. 14, 2021**
- (30) **Foreign Application Priority Data**

- Sep. 14, 2020 (EM) 008167647-0002
- (51) **LOC (13) Cl.** **15-09**
- (52) **U.S. Cl.**
USPC **D15/144**
- (58) **Field of Classification Search**
USPC D8/29.1, 30; D15/144, 144.1, 144.2
CPC B05C 11/1042; B29B 13/022; B29K 2105/0097; B67D 7/6458
See application file for complete search history.

- (56) **References Cited**
U.S. PATENT DOCUMENTS
- 3,876,105 A * 4/1975 Kelling B29B 13/022
118/202
- 4,227,069 A * 10/1980 Gardner B29B 13/022
219/214
- D269,349 S * 6/1983 Belter D15/144
- D270,353 S * 8/1983 Lewellen D15/144
- D276,617 S * 12/1984 Scholl D15/144
- D282,262 S * 1/1986 Ramazzotti D15/145

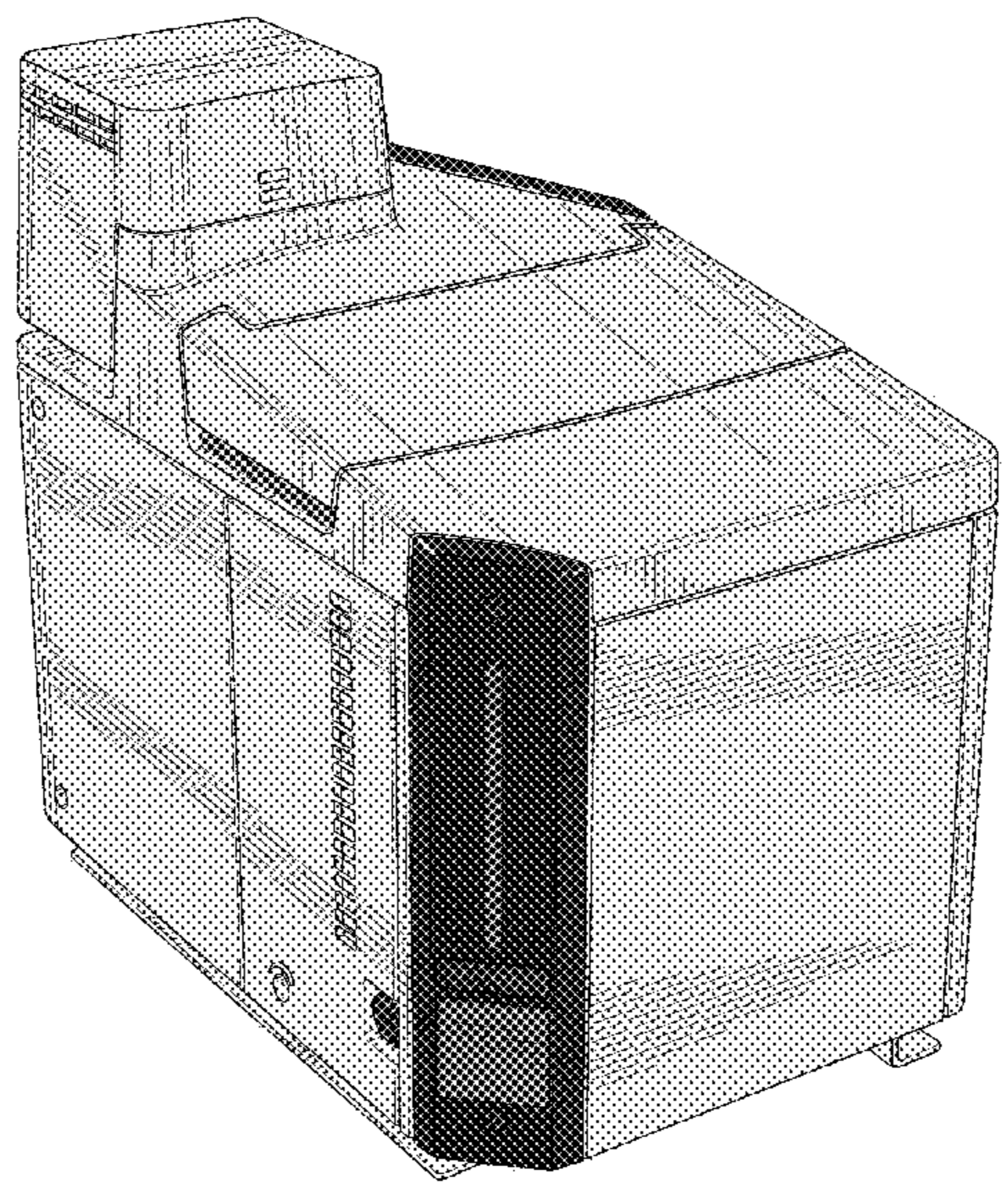
- 4,790,455 A * 12/1988 Dieringer B29B 13/022
222/146.2
- D360,422 S * 7/1995 Frates D15/144
- D388,800 S * 1/1998 Zook D15/144
- D411,553 S * 6/1999 Scholl D15/144
- D425,530 S * 5/2000 Lafitte D15/144
- D452,516 S * 12/2001 Zook D15/144.2
- 6,540,152 B2 * 4/2003 Holm B05C 5/0225
239/71
- D482,376 S * 11/2003 Jeter D15/144

(Continued)
Primary Examiner — Patricia A Palasik
(74) *Attorney, Agent, or Firm* — Christopher C. Dremann, P.C.; Christopher C. Dremann

(57) **CLAIM**
The ornamental design for a device for melting glue, as shown and described.

DESCRIPTION
The patent or application file contains at least one drawing executed in color. Copies of this patent or patent application publication with color drawing(s) will be provided by the Office upon request and payment of the necessary fee.
FIG. 1 is a perspective view of a device for melting glue according to our design;
FIG. 2 is a front view of the device for melting glue of FIG. 1;
FIG. 3 is a rear view of the device for melting glue of FIG. 1;
FIG. 4 is a left side view of the device for melting glue of FIG. 1;
FIG. 5 is a right side view of the device for melting glue of FIG. 1;
FIG. 6 is a top view of the device for melting glue of FIG. 1; and,
FIG. 7 is a bottom view of the device for melting glue of FIG. 1.

1 Claim, 7 Drawing Sheets
(7 of 7 Drawing Sheet(s) Filed in Color)



(56)

References Cited

U.S. PATENT DOCUMENTS

D488,177 S *	4/2004	Dittmann	D15/144
D489,741 S *	5/2004	Calco	D15/144
D500,063 S *	12/2004	Jeter	D15/144
D504,694 S *	5/2005	Dittmann	D15/144
D556,798 S *	12/2007	Franco	D15/144
D562,368 S *	2/2008	Byerly	D15/144
D611,515 S *	3/2010	Chastine	D15/144
D691,184 S *	10/2013	Clark	D15/144.2
D777,231 S *	1/2017	Ide	D15/144
D815,674 S *	4/2018	Mößnang	D15/144
2003/0180035 A1 *	9/2003	Jamison	B05C 11/1042 392/471

* cited by examiner

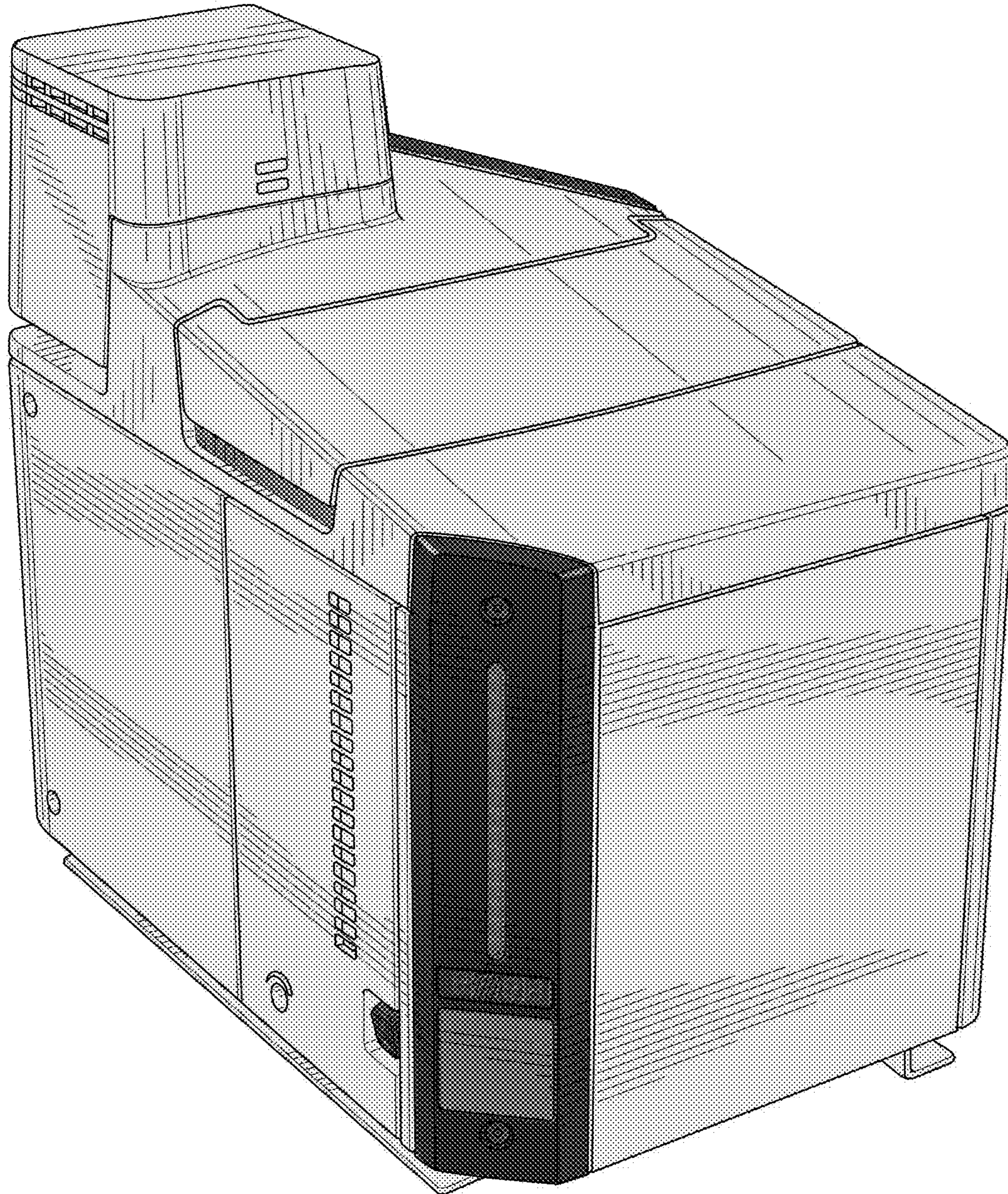


FIG. 1

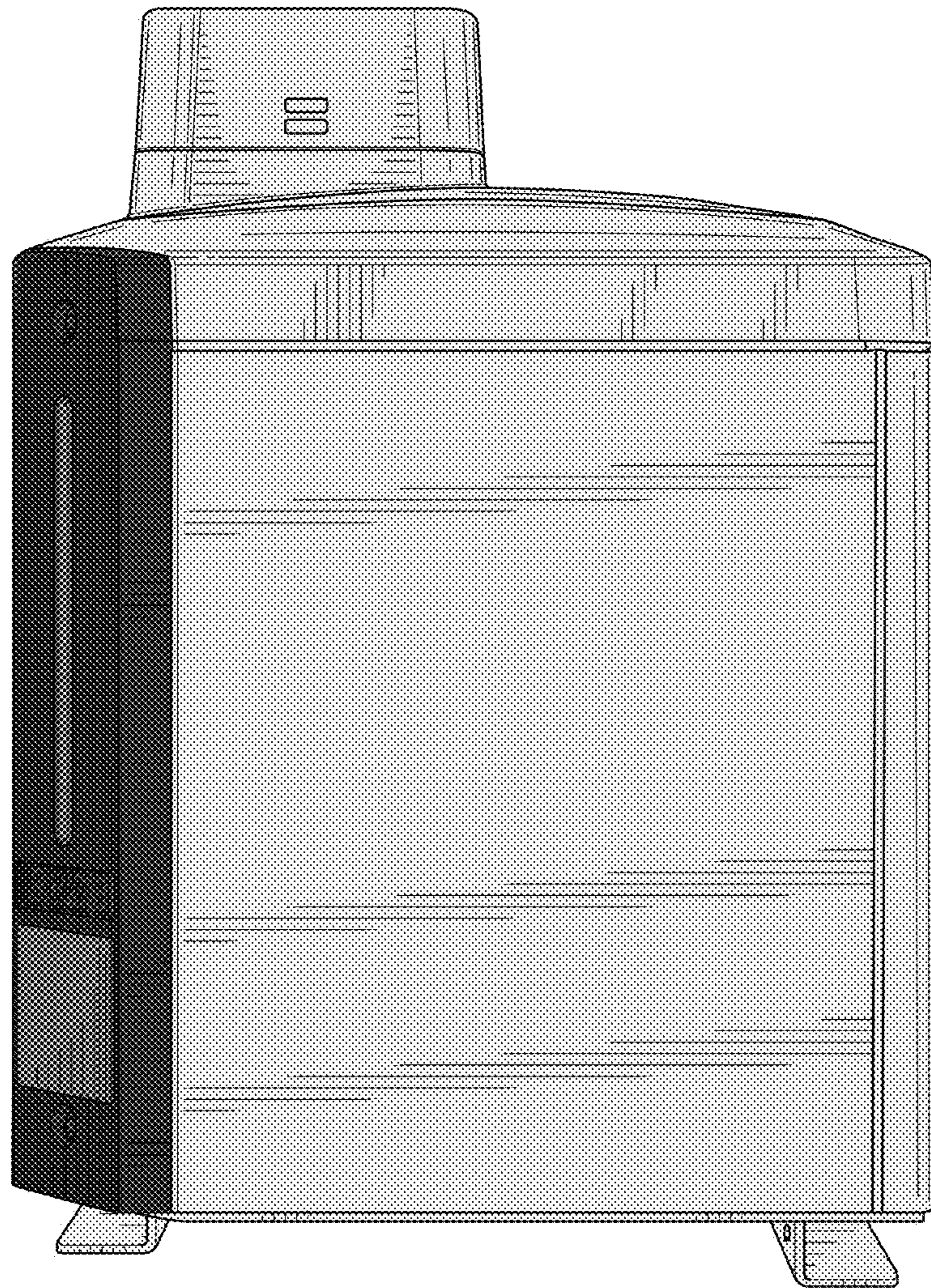


FIG. 2

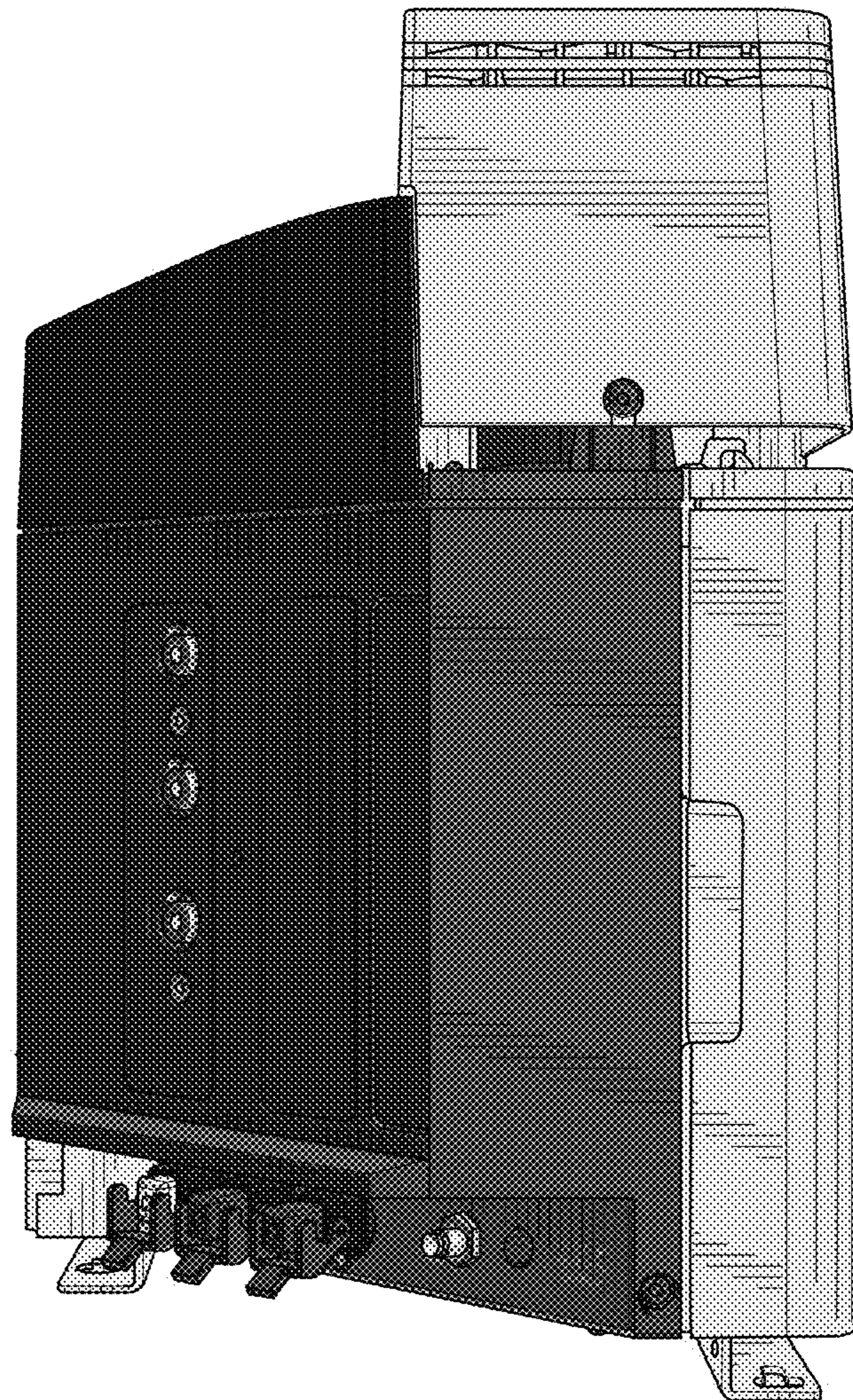


FIG. 3

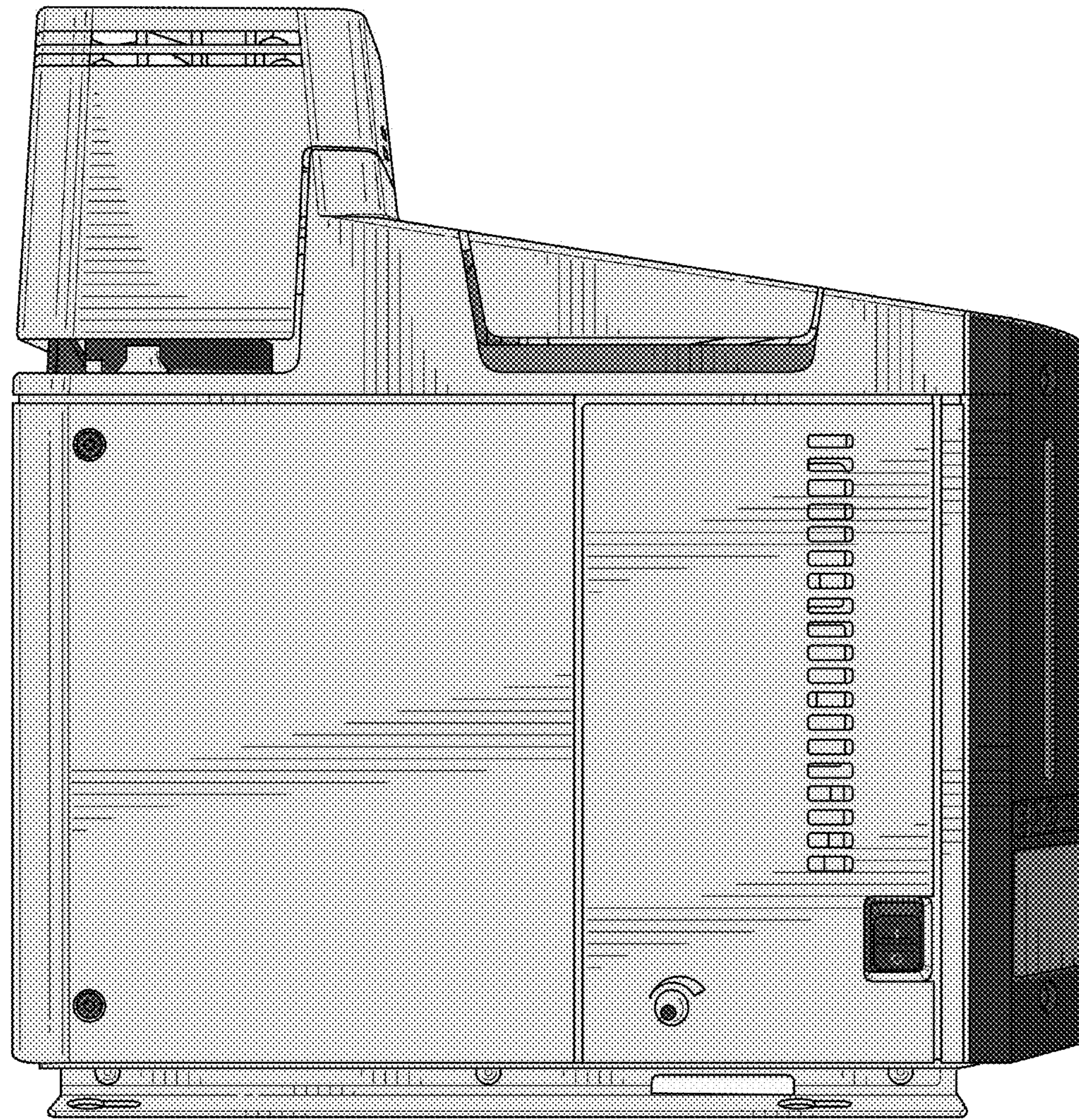


FIG. 4

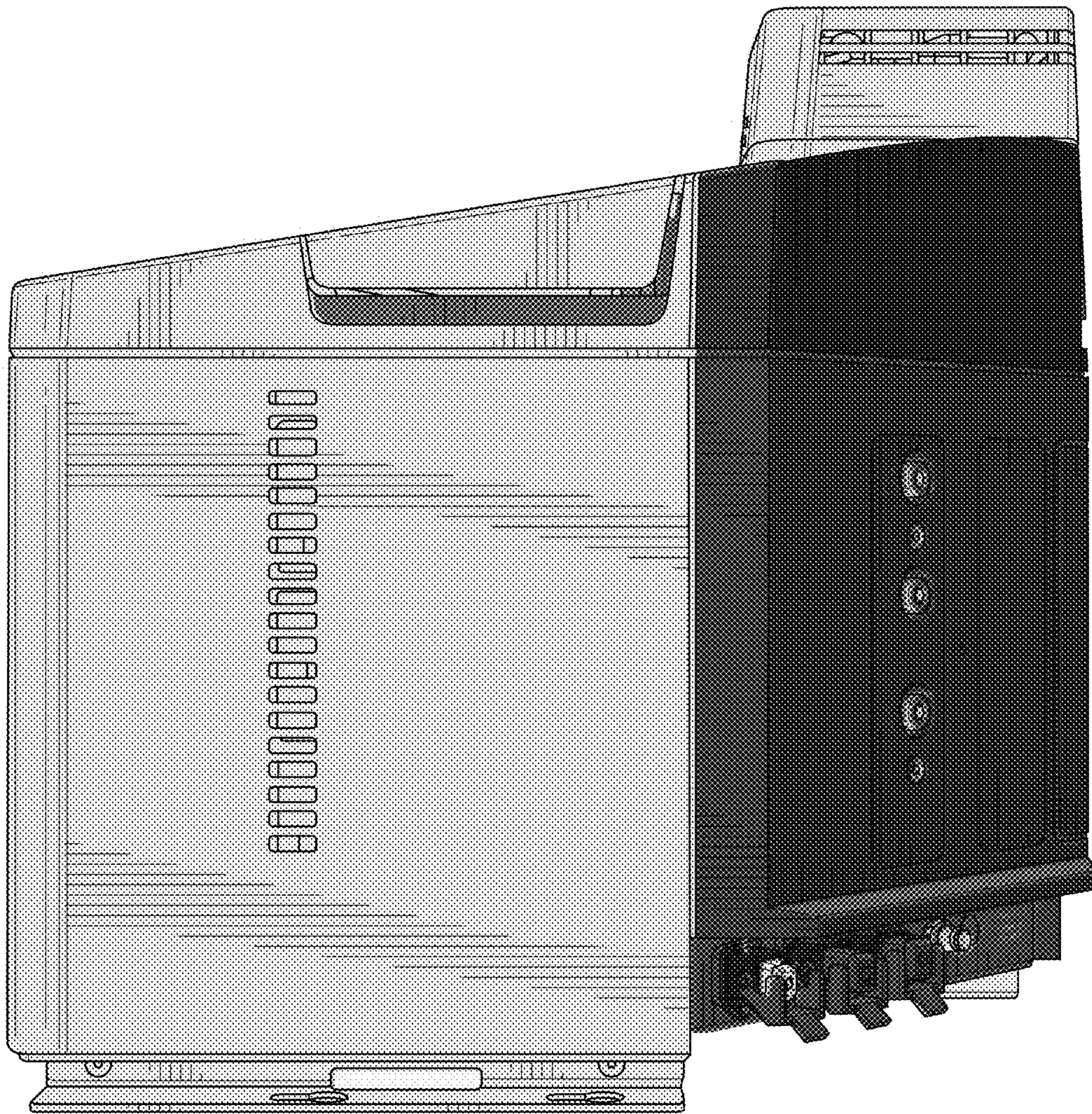


FIG. 5

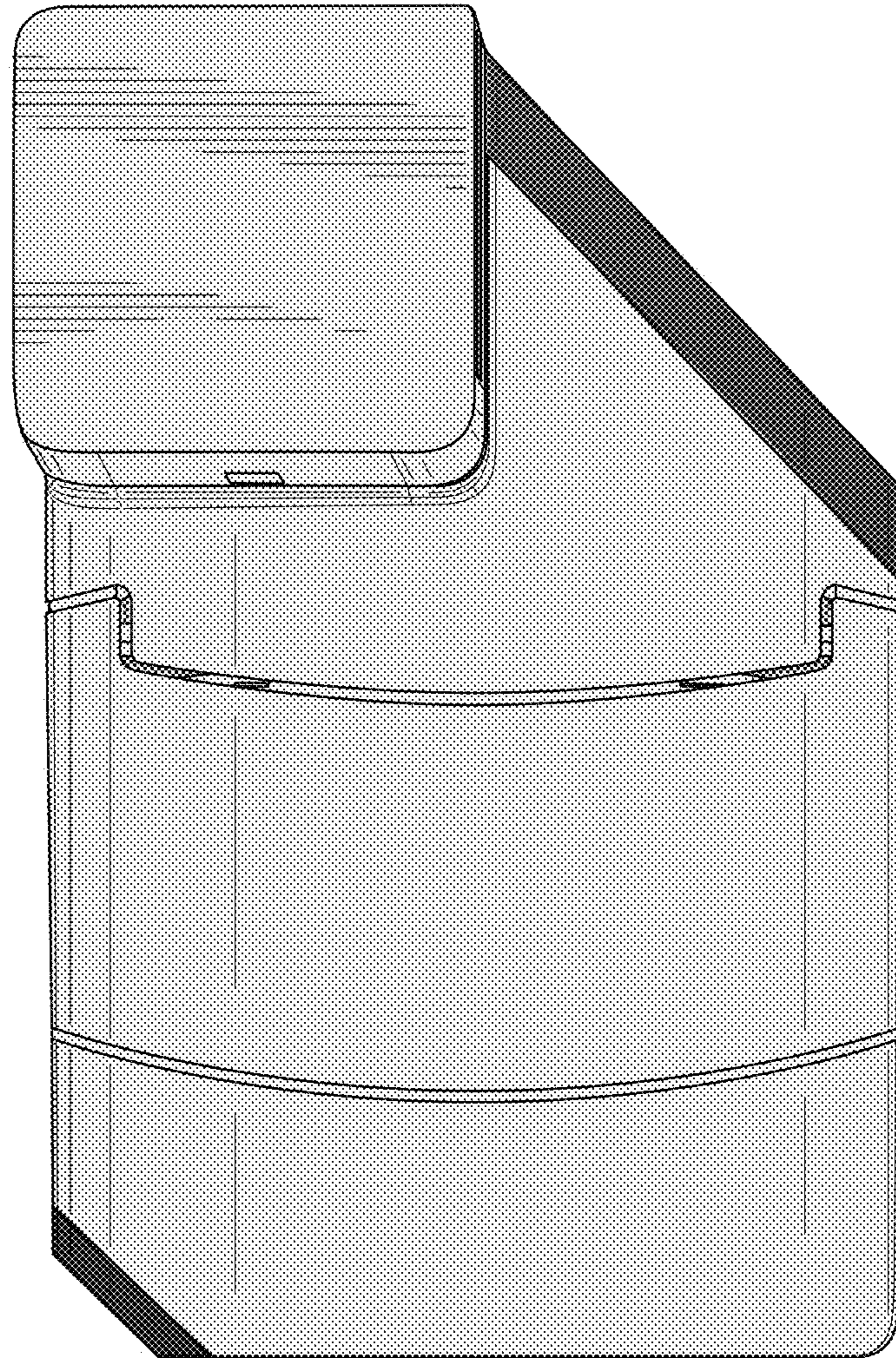


FIG. 6

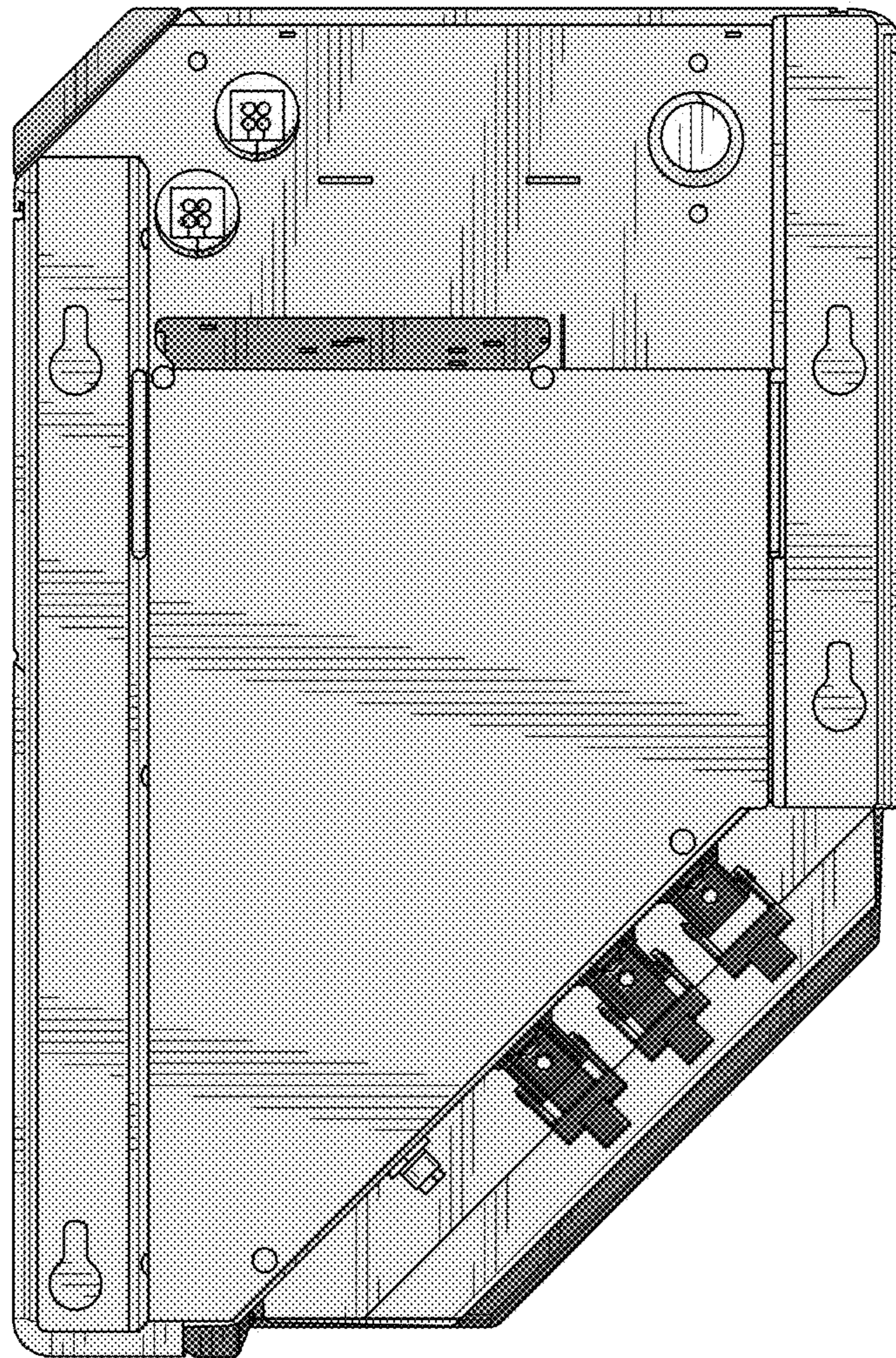


FIG. 7