



US00D967209S

(12) **United States Design Patent** (10) **Patent No.:** **US D967,209 S**
Buhr et al. (45) **Date of Patent:** **** Oct. 18, 2022**

(54) **CHISEL HOLDER**
(71) Applicant: **Wirtgen GmbH**, Windhagen (DE)
(72) Inventors: **Karsten Buhr**, Willroth (DE); **Andreas Jost**, Koenigswinter (DE)
(73) Assignee: **Wirtgen GmbH**
(**) Term: **15 Years**
(21) Appl. No.: **29/691,640**
(22) Filed: **May 17, 2019**
(51) **LOC (13) Cl.** **15-09**
(52) **U.S. Cl.**
USPC **D15/140; D8/71**
(58) **Field of Classification Search**
USPC D8/9, 14, 70, 71, 80; D15/122, 123, 124,
D15/140, 152, 199
CPC B28D 1/188; E21C 35/19
See application file for complete search history.

D693,391 S * 11/2013 Roetsch D15/140
D707,736 S * 6/2014 Ries D15/140
8,746,806 B2 6/2014 Lehnert et al.
8,746,807 B2 6/2014 Lehnert et al.
D711,442 S * 8/2014 Brassel D15/140
D711,443 S * 8/2014 Brassel D15/140
D715,342 S * 10/2014 Fundakowski D15/140
D736,283 S * 8/2015 Ries D15/140
9,151,157 B2 10/2015 Lehnert et al.
9,163,502 B2 10/2015 Lehnert et al.
9,228,434 B2 1/2016 Lehnert et al.

(Continued)

FOREIGN PATENT DOCUMENTS

EM 001848938 4/2011
EM 001886748 4/2011
EM 002147884 5/2012

Primary Examiner — Michael C Stout
Assistant Examiner — Fritzgerald L Butac
(74) *Attorney, Agent, or Firm* — Lucian Wayne Beavers;
Patterson Intellectual Property Law, PC

(57) **CLAIM**

What is claimed is the ornamental design for a chisel holder, as shown and described.

DESCRIPTION

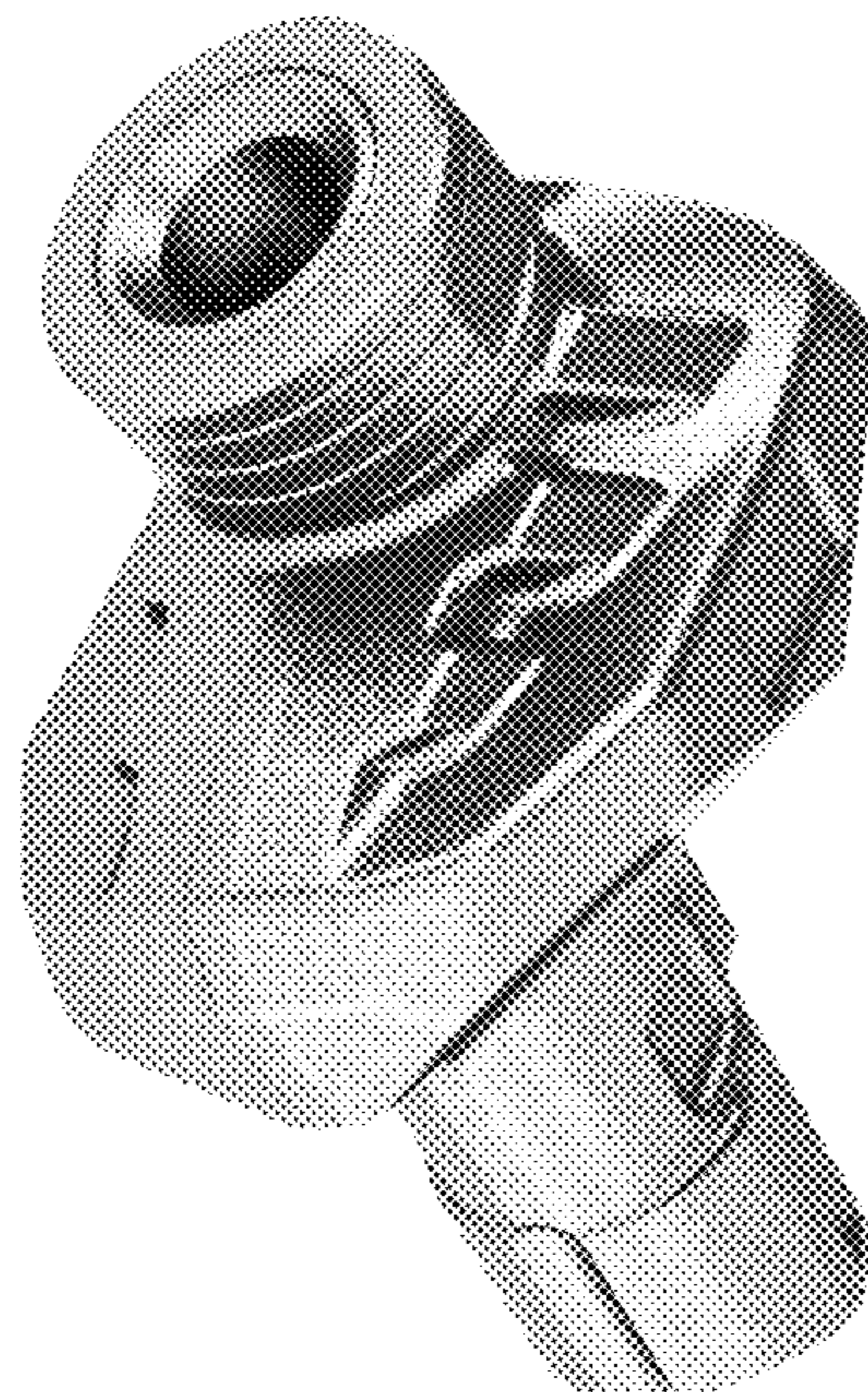
FIG. 1 is front right side perspective view of the chisel holder.
FIG. 2 is rear elevation view of the chisel holder of FIG. 1.
FIG. 3 is a front elevation view of the chisel holder of FIG. 1.
FIG. 4 is a top view of the chisel holder of FIG. 1.
FIG. 5 is a bottom view of the chisel holder of FIG. 1.
FIG. 6 is left side elevation view of the chisel holder of FIG. 1; and,
FIG. 7 is right side elevation view of the chisel holder of FIG. 1.

1 Claim, 7 Drawing Sheets

(56) **References Cited**

U.S. PATENT DOCUMENTS

D567,270 S * 4/2008 Chiang D15/140
D638,453 S * 5/2011 Buhr D15/140
D666,226 S 8/2012 Buhr et al.
D666,641 S 9/2012 Buhr et al.
D666,642 S 9/2012 Buhr et al.
D666,643 S 9/2012 Buhr et al.
D667,854 S 9/2012 Kammerer et al.
D667,855 S 9/2012 Kammerer et al.
D667,856 S 9/2012 Kammerer et al.
D671,578 S 11/2012 Buhr et al.
D688,282 S * 8/2013 Lachmann D15/140
D690,747 S * 10/2013 Wachsmann D15/140
D692,037 S 10/2013 Buhr et al.
D692,038 S 10/2013 Buhr et al.
D692,039 S 10/2013 Buhr et al.
D692,040 S 10/2013 Buhr et al.
D693,390 S * 11/2013 Wachsmann D15/140



(56)

References Cited

U.S. PATENT DOCUMENTS

9,260,965 B2 2/2016 Lehnert et al.
9,376,911 B2 6/2016 Lehnert et al.

* cited by examiner

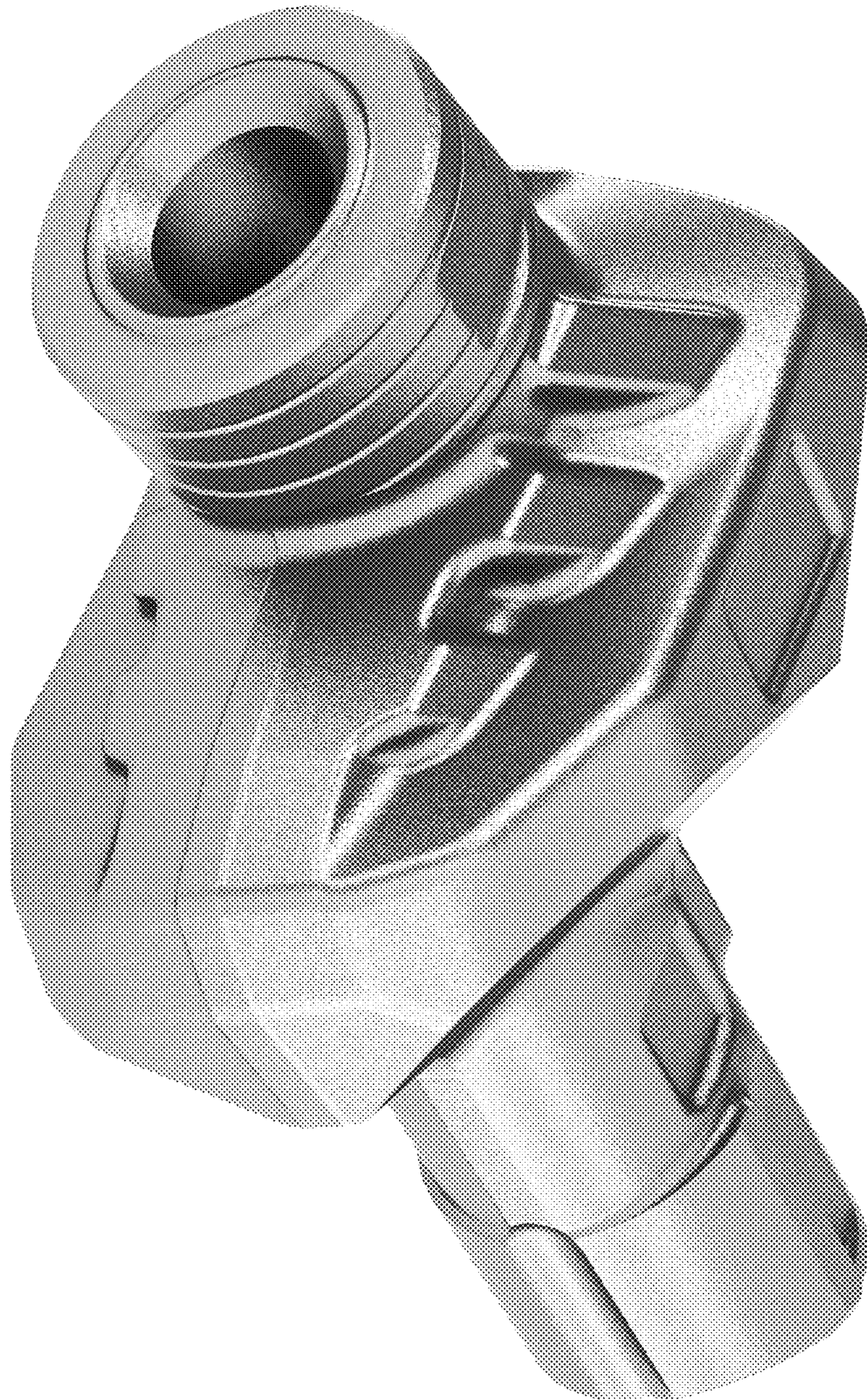


FIG. 1



FIG. 2

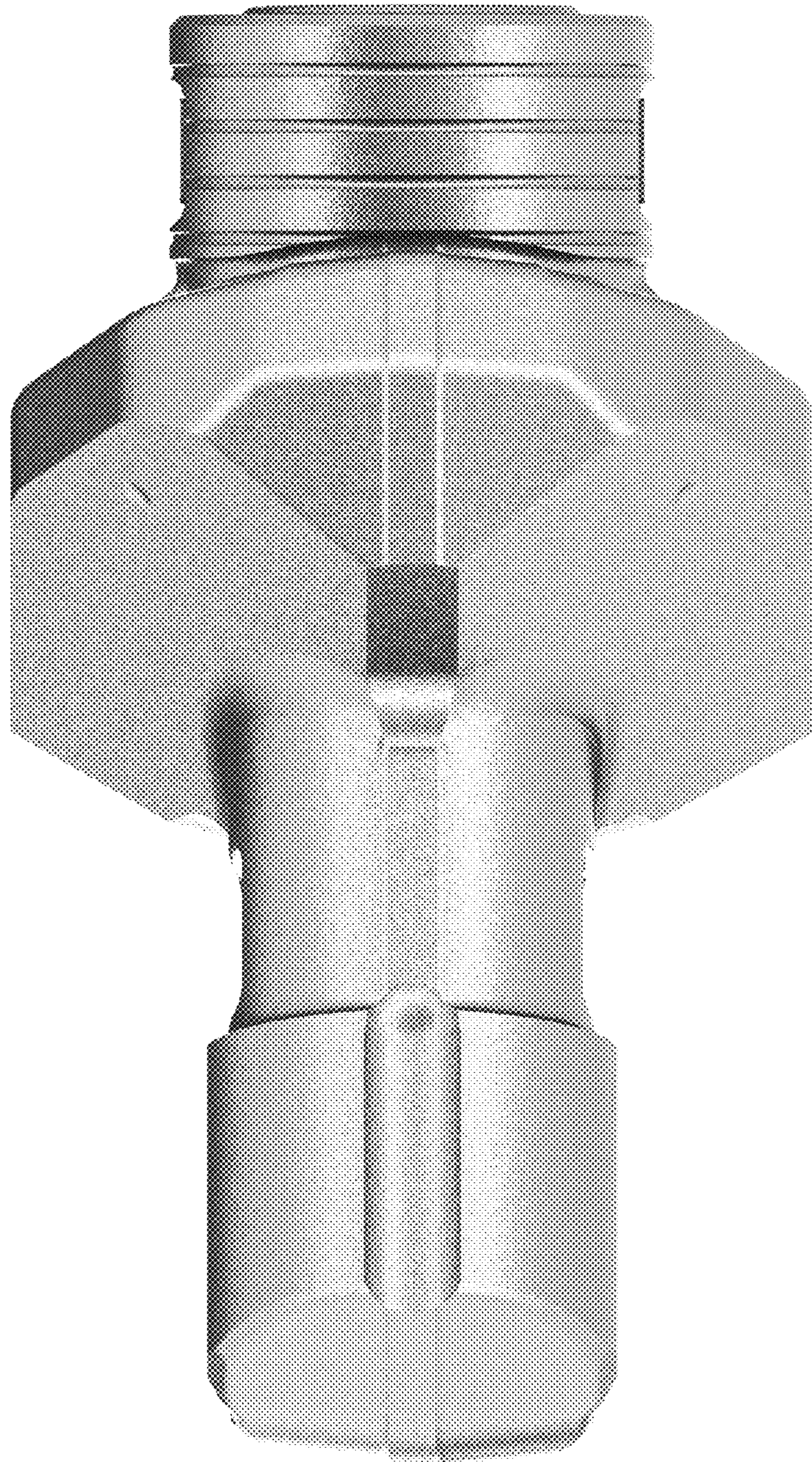


FIG. 3



FIG. 4

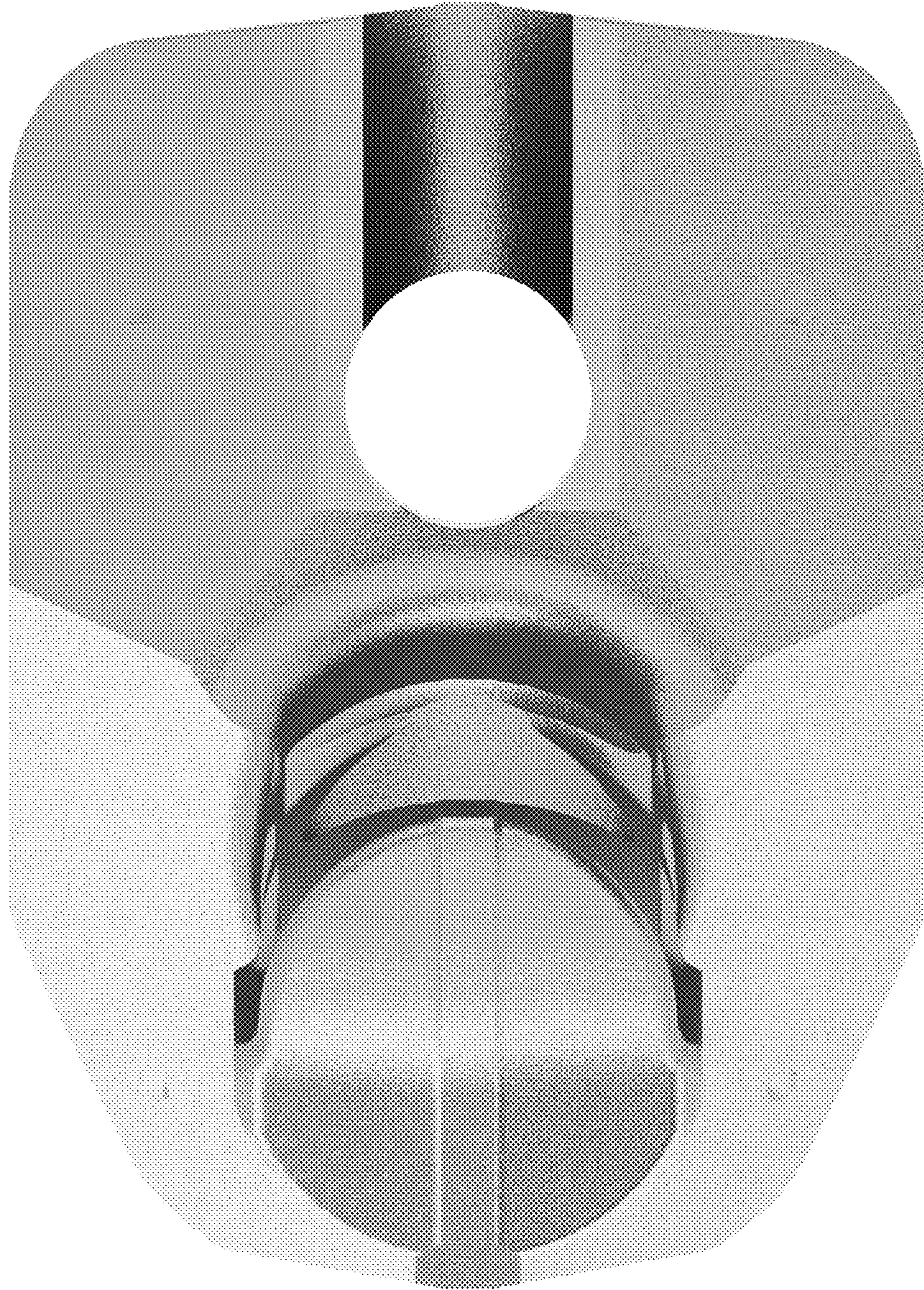


FIG. 5



FIG. 6



FIG. 7