

US00D967208S

(12) **United States Design Patent**  
**Kang et al.**

(10) **Patent No.:** **US D967,208 S**  
(45) **Date of Patent:** **\*\* Oct. 18, 2022**

(54) **INDEXABLE DRILL FOR MACHINE TOOLS FOR METALWORKING**

(71) Applicant: **KORLOY INC.**, Seoul (KR)

(72) Inventors: **Kwang Hyun Kang**, Cheongju-si (KR);  
**Hong Seung Son**, Cheongju-si (KR);  
**Yun Seok Choi**, Cheongju-si (KR);  
**Young Heum Kim**, Cheongju-si (KR)

(\*\*) Term: **15 Years**

(21) Appl. No.: **35/512,843**

(22) Filed: **Sep. 9, 2021**

(80) **Hague Agreement Data**

Int. Filing Date: **Sep. 9, 2021**  
Int. Reg. No.: **DM/216959**  
Int. Reg. Date: **Sep. 9, 2021**  
Int. Reg. Pub. Date: **Oct. 29, 2021**

(30) **Foreign Application Priority Data**

Jun. 1, 2021 (KR) ..... 30-2021-0025896

(51) **LOC (13) Cl.** ..... **15-09**

(52) **U.S. Cl.**  
USPC ..... **D15/139**

(58) **Field of Classification Search**

USPC ..... D8/70, 78; D15/122, 127, 131, 132, 139  
CPC .. B23C 5/14; B23C 5/20; B23C 5/202; B23C 5/207; B23C 5/08; Y10T 407/1924; Y10T 407/235

See application file for complete search history.

(56) **References Cited**

**U.S. PATENT DOCUMENTS**

D278,716 S \* 5/1985 Pano ..... D15/139  
D607,025 S \* 12/2009 Niemi ..... D15/139

D619,153 S \* 7/2010 Davidson ..... D15/139  
D624,097 S \* 9/2010 Kenny ..... D15/139  
D637,214 S \* 5/2011 Saito ..... D15/139  
D638,041 S \* 5/2011 Saito ..... D15/139  
D647,116 S \* 10/2011 Omi ..... D15/139  
D647,117 S \* 10/2011 Omi ..... D15/139  
D700,639 S \* 3/2014 Choi ..... D15/139  
D700,640 S \* 3/2014 Choi ..... D15/139  
D772,318 S \* 11/2016 Nam ..... D15/139  
D772,319 S \* 11/2016 Nam ..... D15/139  
D772,963 S \* 11/2016 Nam ..... D15/139  
D778,330 S \* 2/2017 Fang ..... D15/139  
D805,565 S \* 12/2017 Min ..... B23C 5/06  
D15/139  
D816,744 S \* 5/2018 Lee ..... B23C 5/00  
D15/139  
D837,847 S \* 1/2019 Min ..... B23C 5/202  
D15/139  
D872,784 S \* 1/2020 Inagaki ..... B23C 5/202  
D15/139  
D878,437 S \* 3/2020 Bono ..... D24/146  
D878,438 S \* 3/2020 Bono ..... D24/146  
D880,547 S \* 4/2020 Weinberg ..... D15/139  
D898,085 S \* 10/2020 Kim ..... B23C 5/202  
D15/139

(Continued)

*Primary Examiner* — Michael C Stout  
*Assistant Examiner* — Fritzgerald L Butac

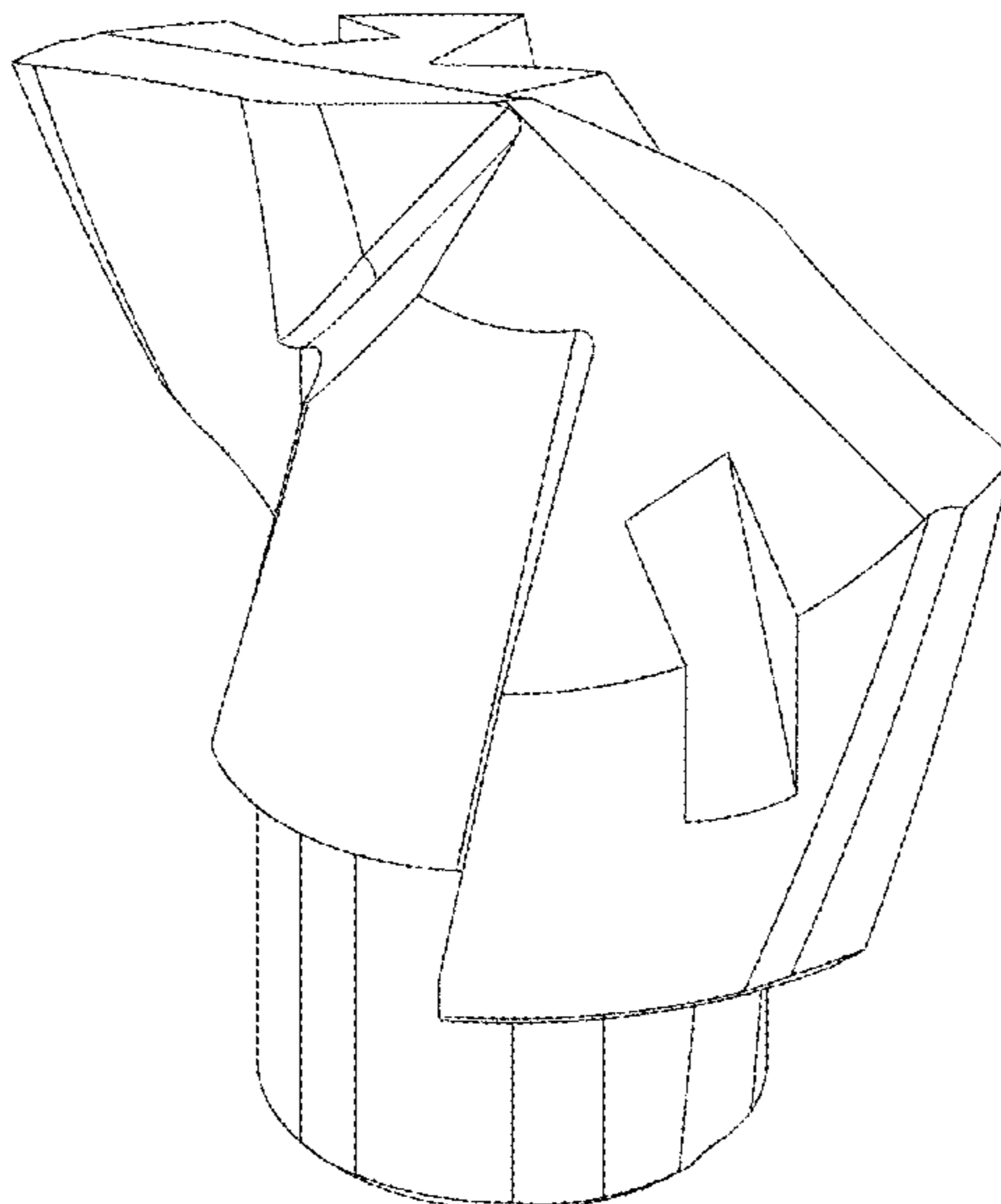
(57) **CLAIM**

The ornamental design for an indexable drill for machine tools for metalworking, as shown and described.

**DESCRIPTION**

- 1. Indexable drill for machine tools for metalworking
- 1.1 : Perspective
- 1.2 : Front
- 1.3 : Back
- 1.4 : Top
- 1.5 : Bottom
- 1.6 : Left
- 1.7 : Right

**1 Claim, 7 Drawing Sheets**



(56)

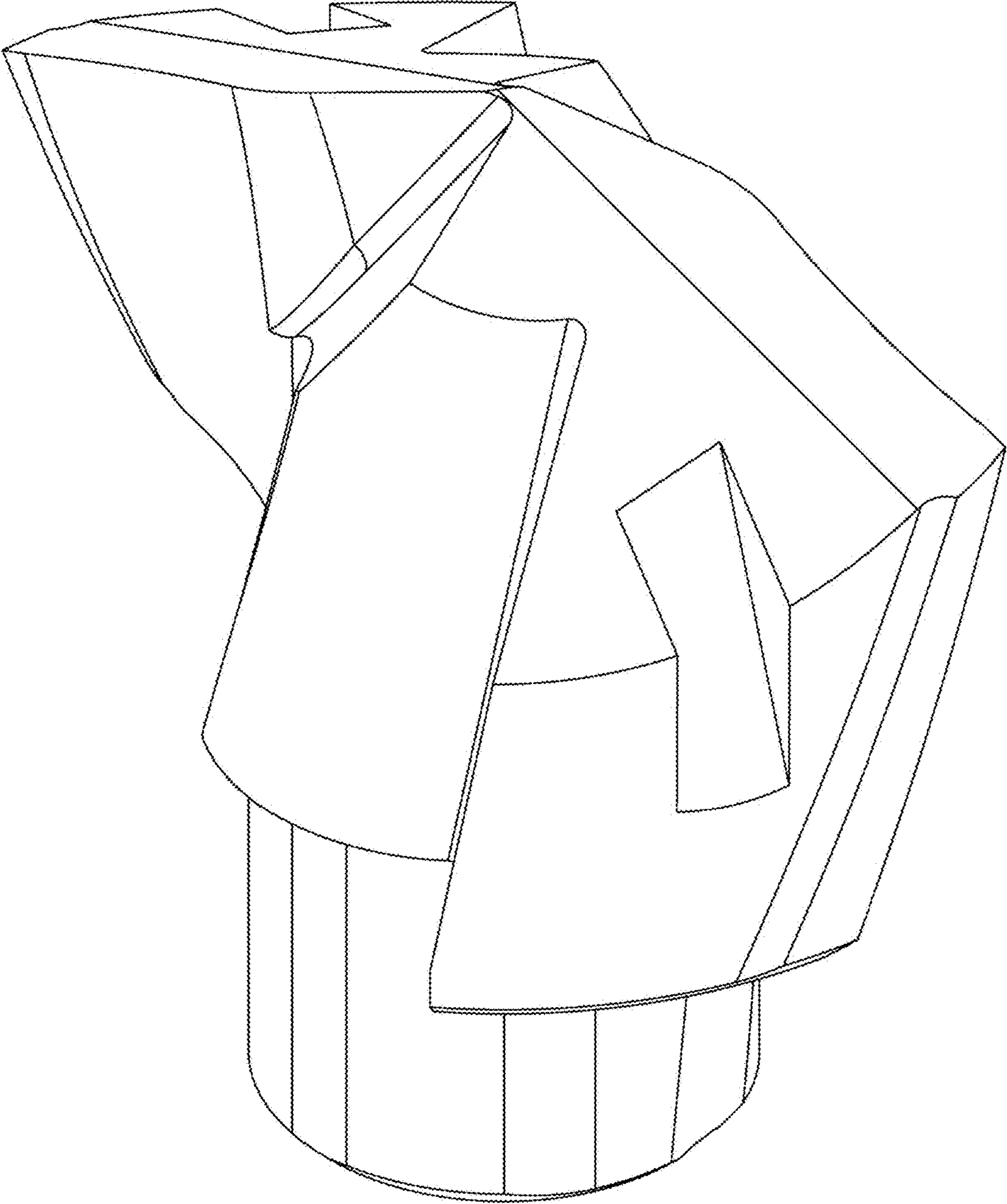
**References Cited**

U.S. PATENT DOCUMENTS

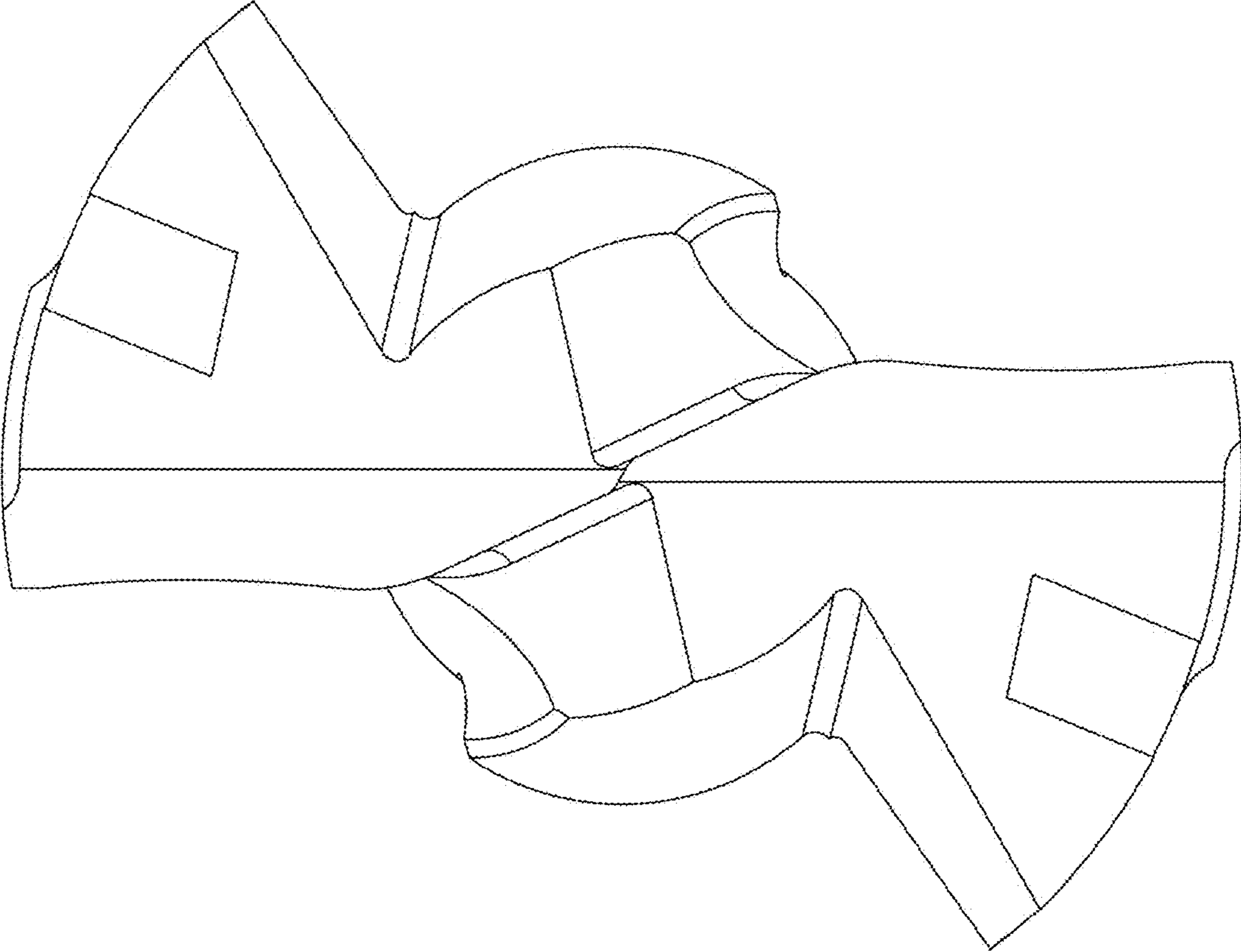
D927,573 S \* 8/2021 Kim ..... B23C 5/202  
D15/139  
D953,395 S \* 5/2022 Shin ..... D15/139  
2022/0231303 A1\* 7/2022 Kim ..... H01M 8/1004

\* cited by examiner

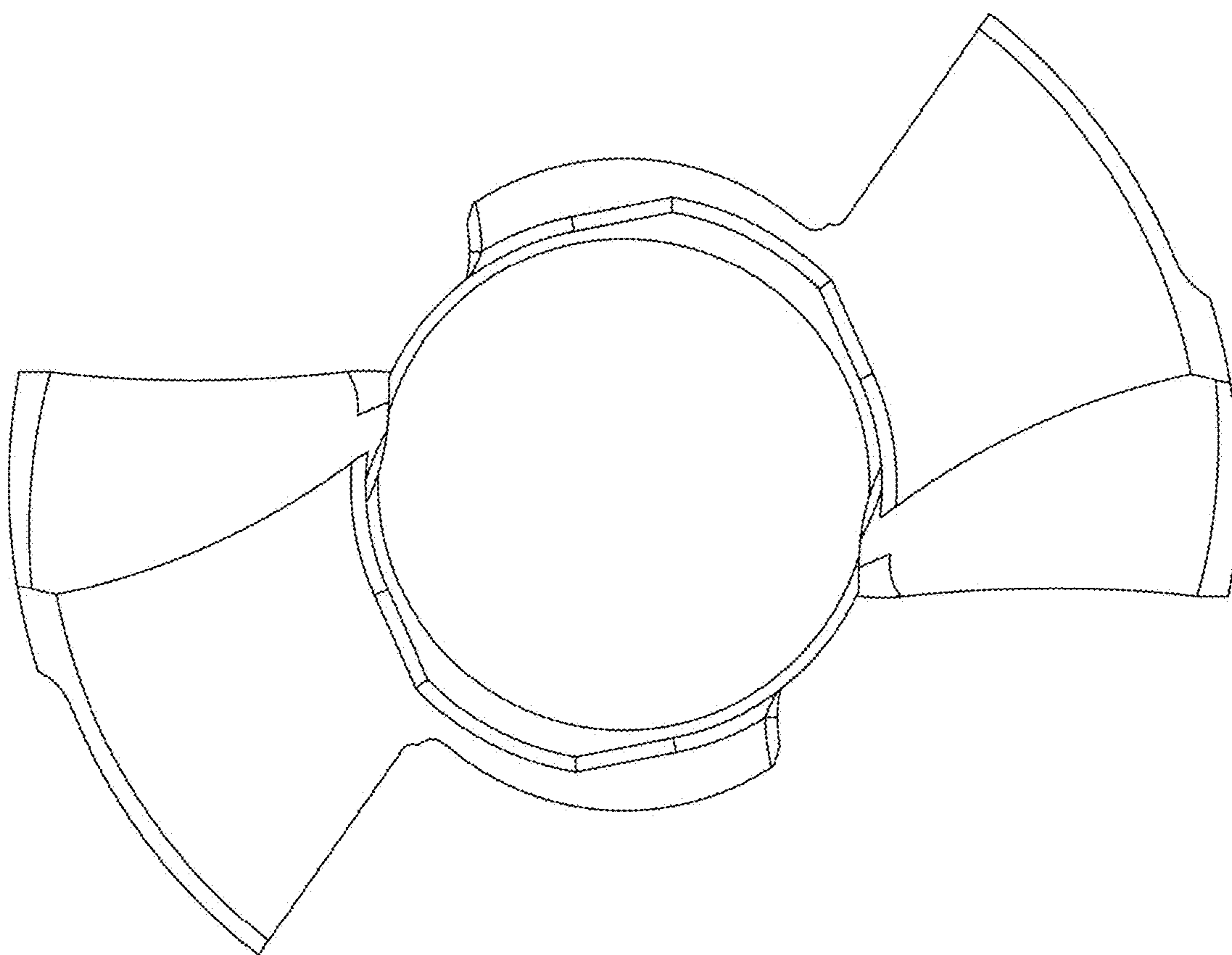
1.1



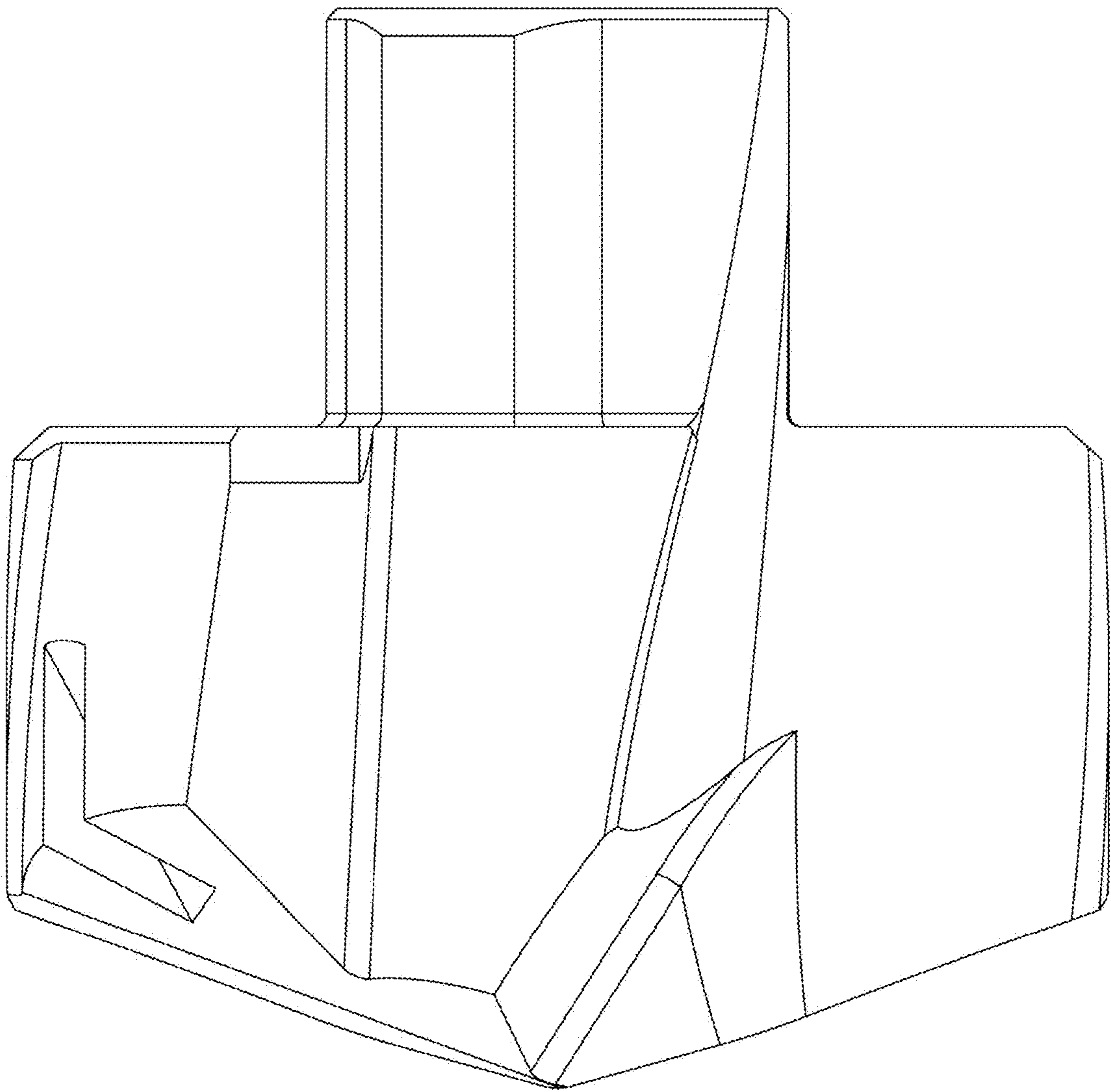
1.2



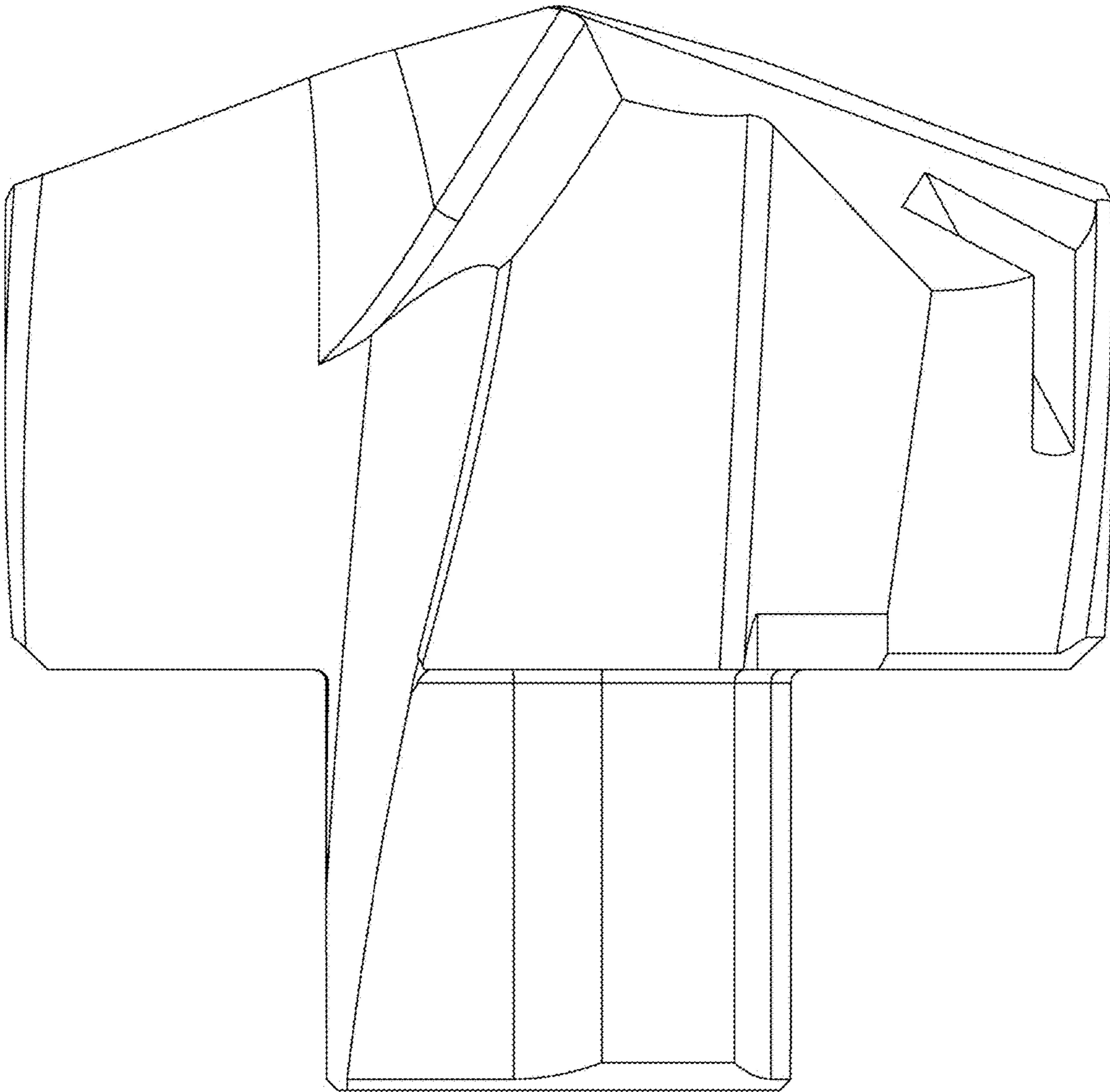
1.3



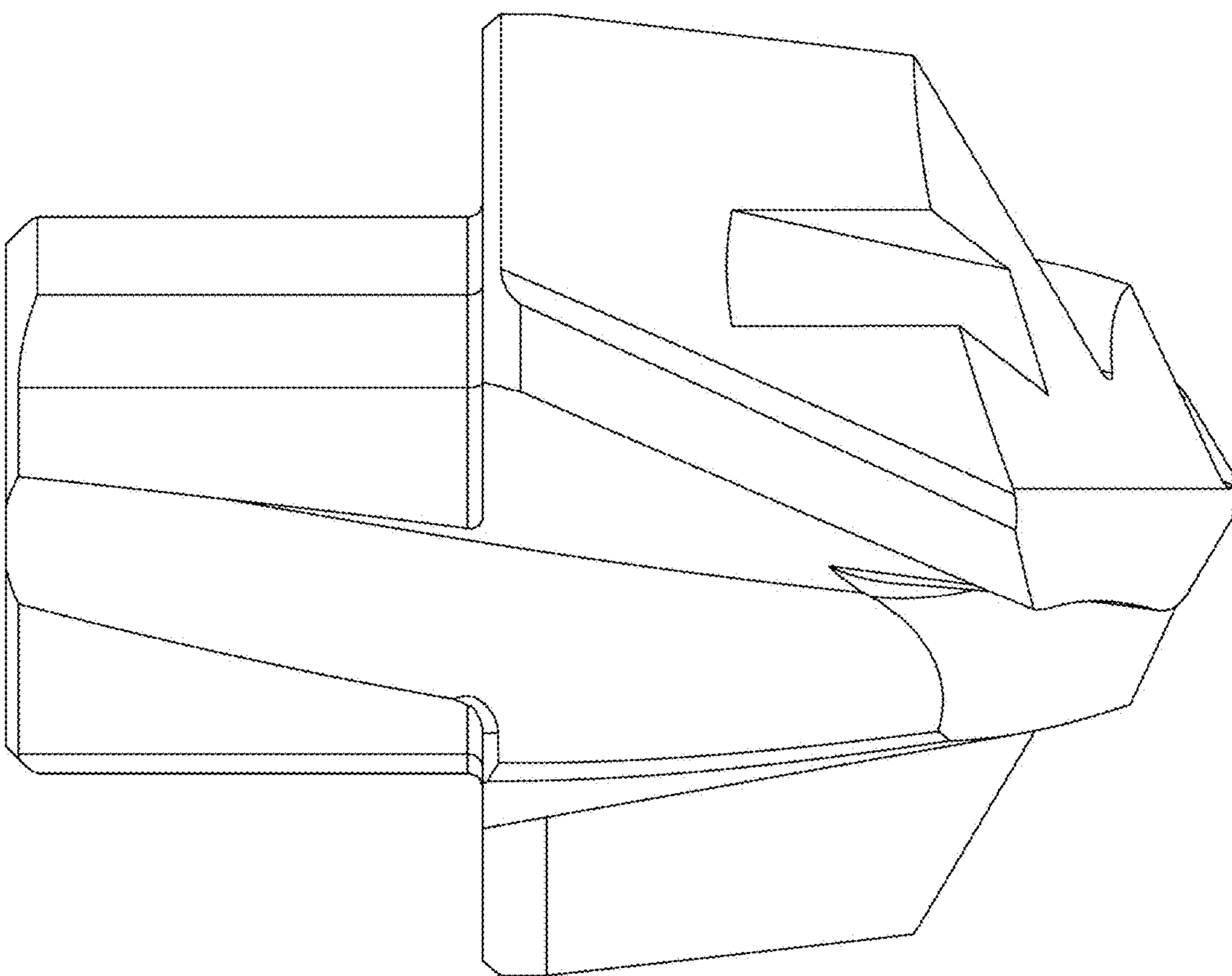
1.4



1.5



1.6





1.7

