



US00D967205S

(12) **United States Design Patent** (10) **Patent No.:** **US D967,205 S**  
**Jin** (45) **Date of Patent:** **\*\* Oct. 18, 2022**

(54) **IMPRINTER**  
(71) Applicant: **Fuwei Jin**, Zhengzhou (CN)  
(72) Inventor: **Fuwei Jin**, Zhengzhou (CN)  
(\*\*) Term: **15 Years**  
(21) Appl. No.: **29/823,238**  
(22) Filed: **Jan. 14, 2022**  
(51) **LOC (13) Cl.** ..... **15-09**  
(52) **U.S. Cl.**  
USPC ..... **D15/122; D18/15**  
(58) **Field of Classification Search**  
USPC ..... D7/336, 337, 352, 356, 362, 602, 665,  
D7/666, 669, 674; D15/122, 123, 144,  
D15/146; D18/15, 50, 53  
CPC .. B41F 16/00; B41F 16/0026; B41F 16/0093;  
B41F 1/38; B30B 15/047; B30B 15/061;  
B30B 15/064; B30B 15/34; B44C 1/1716;  
B41M 5/035; B41M 1/34; B41K 3/36;  
B44B 5/0033; B44B 5/0085  
See application file for complete search history.

(56) **References Cited**

**U.S. PATENT DOCUMENTS**

776,597 A \* 12/1904 Keplinger ..... B21D 53/48  
79/4  
836,916 A \* 11/1906 Breitenstein ..... B21D 53/48  
79/4  
1,092,492 A \* 4/1914 Lauesen ..... B21D 53/48  
79/4  
2,706,447 A \* 4/1955 Priesmeyer ..... B41K 3/36  
101/31.1  
3,661,039 A \* 5/1972 Lewis ..... A44B 1/06  
83/444  
D254,495 S \* 3/1980 Roebuck ..... D15/199  
D254,553 S \* 3/1980 Thomas ..... D15/123  
D274,624 S \* 7/1984 DiFede ..... D15/123  
D275,403 S 9/1984 Kubo  
D280,690 S \* 9/1985 Bloxham ..... D7/381

D364,410 S \* 11/1995 Schriever ..... D15/123  
D480,103 S \* 9/2003 Stefanski ..... D18/15  
D485,145 S \* 1/2004 Lee ..... D15/123  
D518,494 S \* 4/2006 Rapp ..... D15/123  
D540,373 S 4/2007 Kawaguchi  
D551,916 S \* 10/2007 Smith ..... D7/666  
D574,198 S \* 8/2008 Head ..... D7/666  
D632,318 S \* 2/2011 Sindlinger ..... D15/128  
D679,563 S \* 4/2013 Pectol ..... D8/52  
D717,612 S \* 11/2014 Ramirez ..... D7/666  
D748,722 S \* 2/2016 Riegler ..... D18/15  
D753,453 S \* 4/2016 Timpson ..... D8/51  
D796,572 S \* 9/2017 Lin ..... D18/15

(Continued)

**OTHER PUBLICATIONS**

Beamnova, 58mm Plastic Button Maker Machine Sliding Round Pin Badge Maker Kit, (uploaded on Aug. 13, 2021), YouTube.com, URL:<<https://www.youtube.com/watch?v=9EbqxbdTOaM>> (Year: 2021).\*

(Continued)

*Primary Examiner* — Calvin E Vansant  
*Assistant Examiner* — Mark T. Philipps  
(74) *Attorney, Agent, or Firm* — Jeenam Park

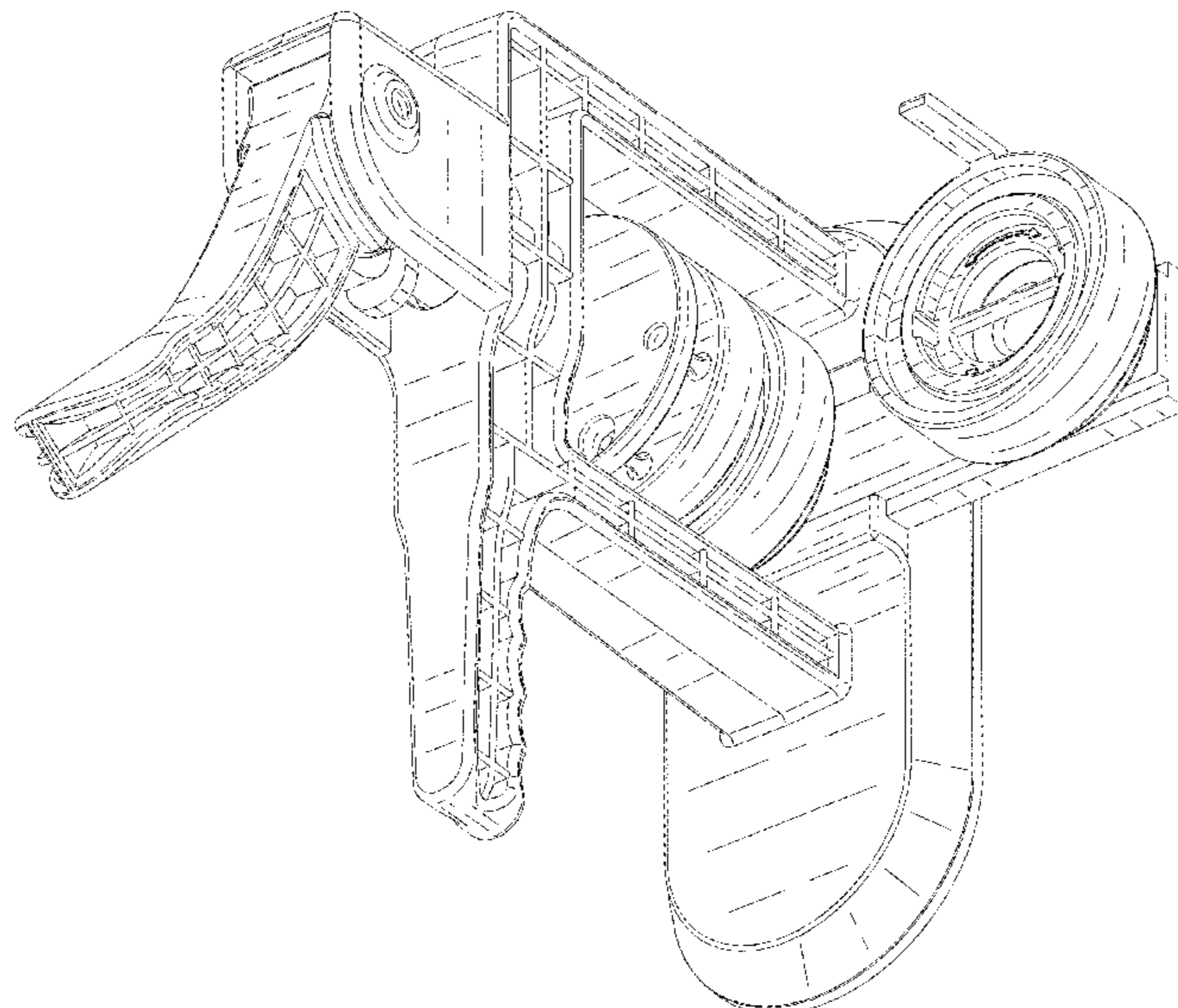
(57) **CLAIM**

The ornamental design for an imprinter, as shown and described.

**DESCRIPTION**

FIG. 1 is a perspective view of an imprinter, showing my new design;  
FIG. 2 is another perspective view thereof;  
FIG. 3 is a front view thereof;  
FIG. 4 is a rear view thereof;  
FIG. 5 is a left side view thereof;  
FIG. 6 is a right side view thereof;  
FIG. 7 is a top plan view thereof; and,  
FIG. 8 is a bottom plan view thereof.

**1 Claim, 8 Drawing Sheets**



(56)

**References Cited**

U.S. PATENT DOCUMENTS

D826,999 S \* 8/2018 Yan ..... D15/123  
D958,851 S \* 7/2022 Jin ..... D15/122  
2006/0230951 A1\* 10/2006 Petersen ..... B44B 5/0085  
101/28  
2014/0311366 A1\* 10/2014 Riegler ..... B44B 5/0085  
101/28  
2019/0111727 A1\* 4/2019 Shih ..... B44B 5/0085  
2021/0016561 A1\* 1/2021 Shih ..... B44B 5/0052

OTHER PUBLICATIONS

Onetuon, Badge Maker Machine kit 37mm, (first available Apr. 29, 2021) Amazon.com, URL:<<https://www.amazon.com/Button-Maker-Machine-kit-Pictures/dp/B093SLDCXX>> (Year: 2021).\*

Mophorn, Mophorn Button Maker, (first available Nov. 6, 2018) Amazon.com, URL:<<https://www.amazon.com/Mophorn-Button-Machine-Circle-Cutter/dp/B07F35B1W4>> (Year: 2018).\*

SuFly, Button Maker Installation Free Badge Machine 58mm, (first available Jun. 10, 2021) Amazon.com, URL:<<https://www.amazon.com/dp/B0978JJ94K>> (Year: 2021).\*

\* cited by examiner

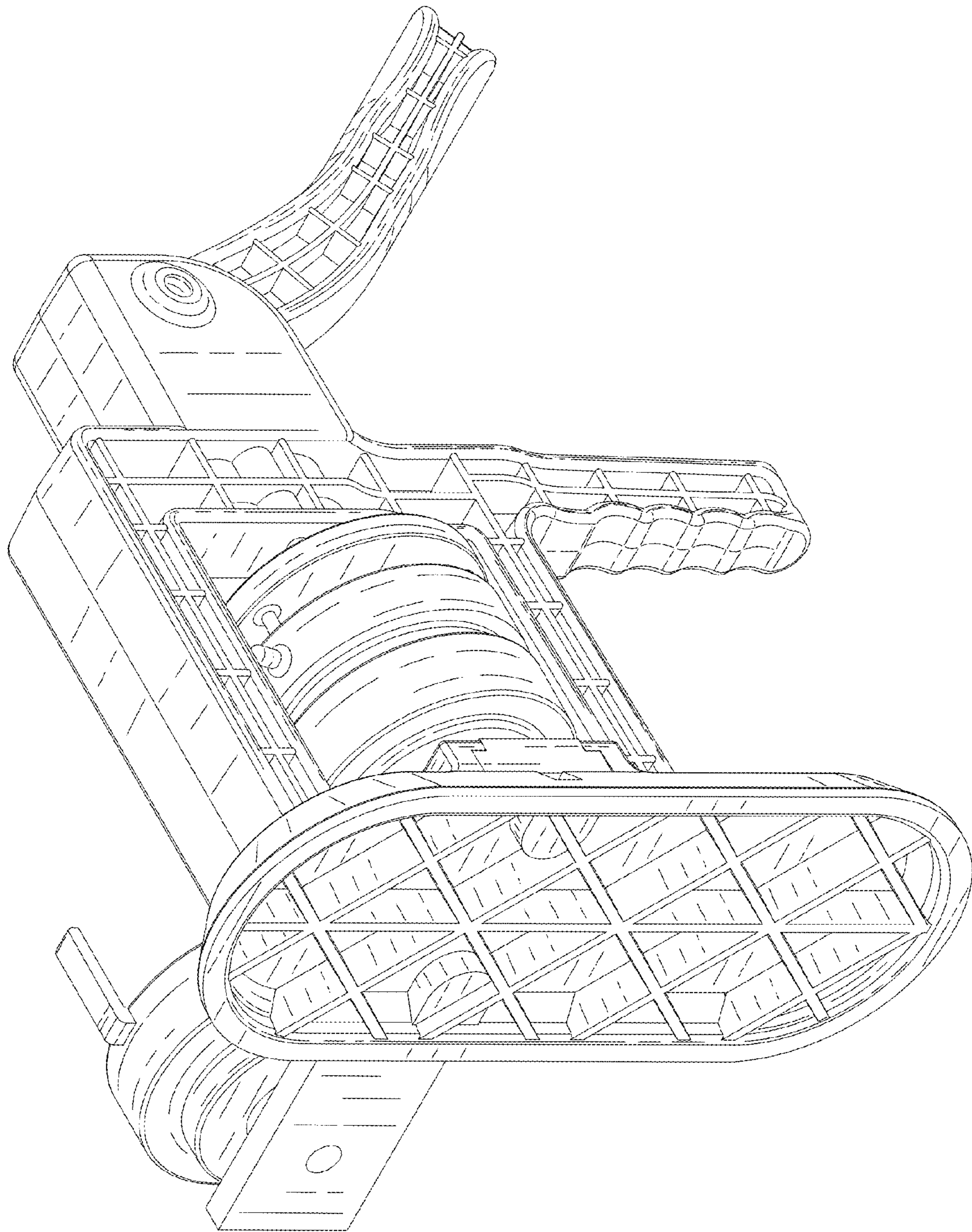


FIG. 1

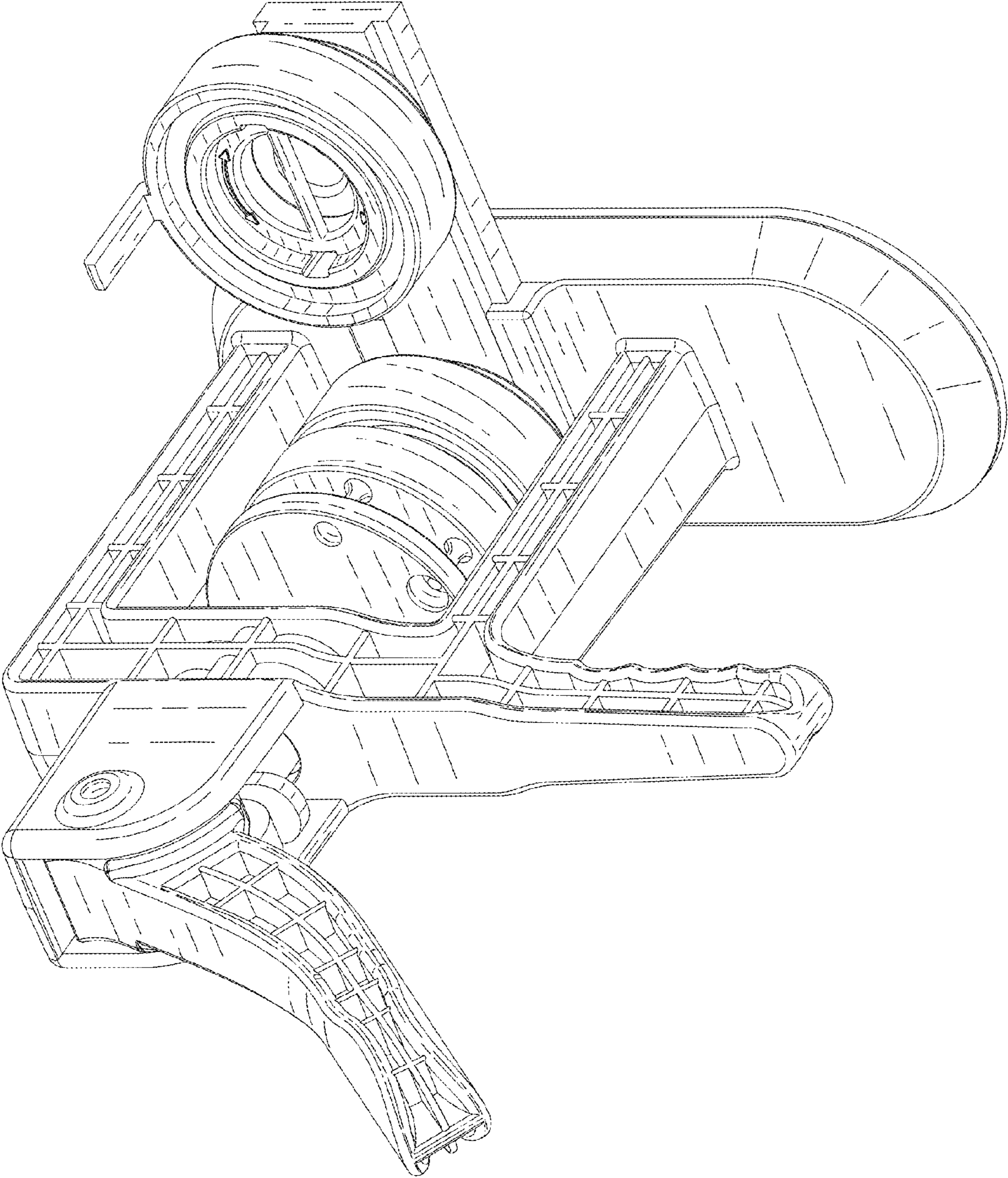


FIG. 2

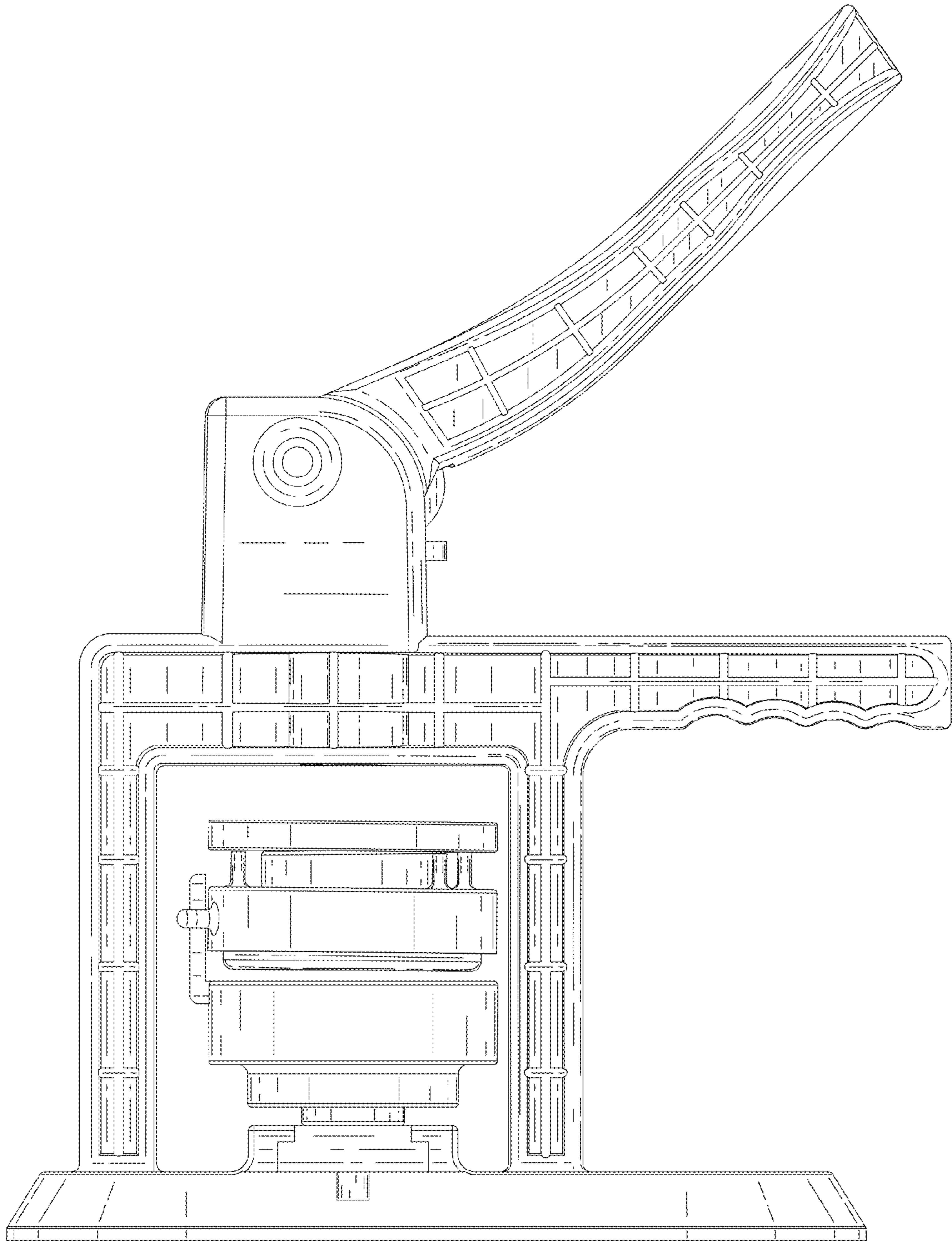


FIG. 3

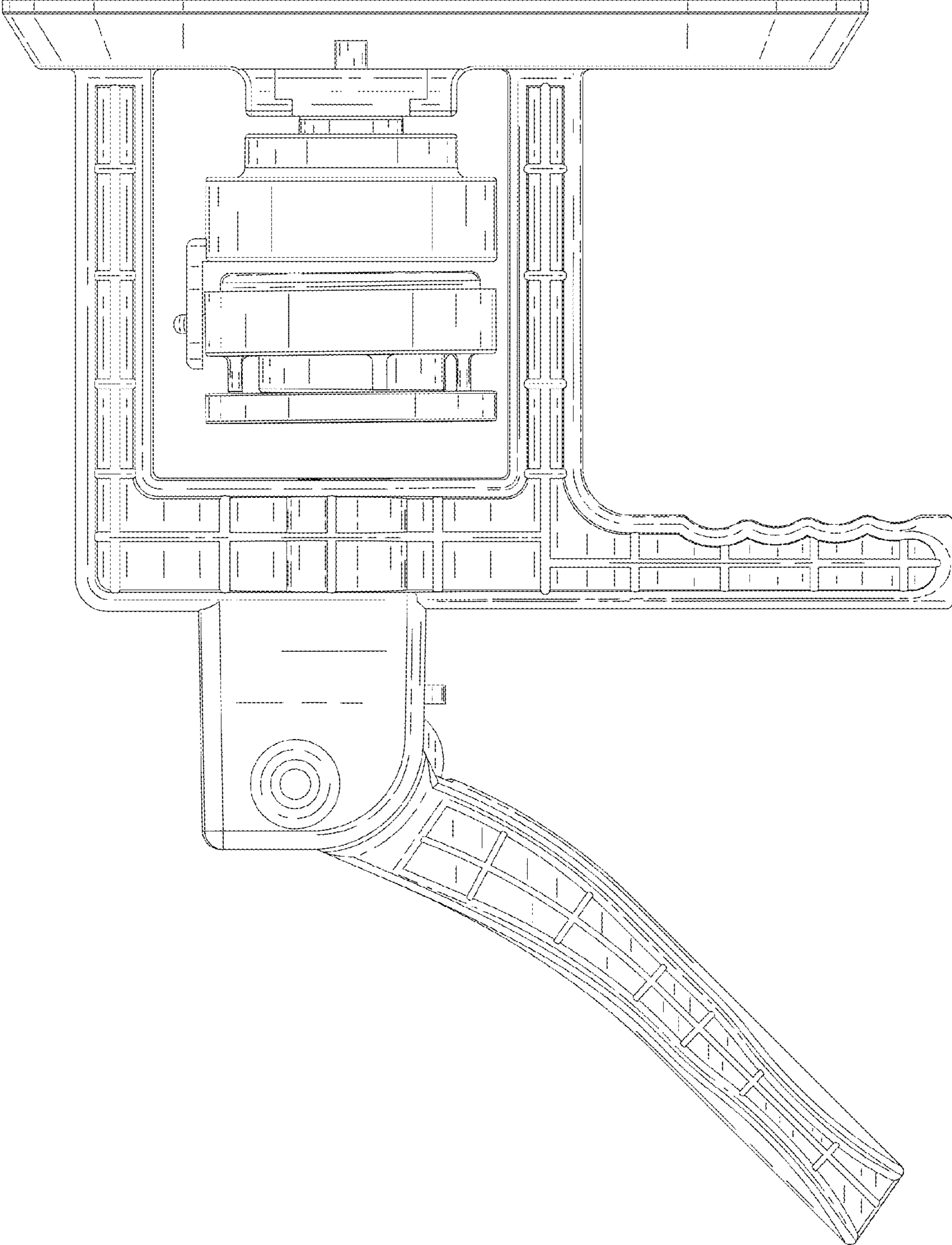


FIG. 4

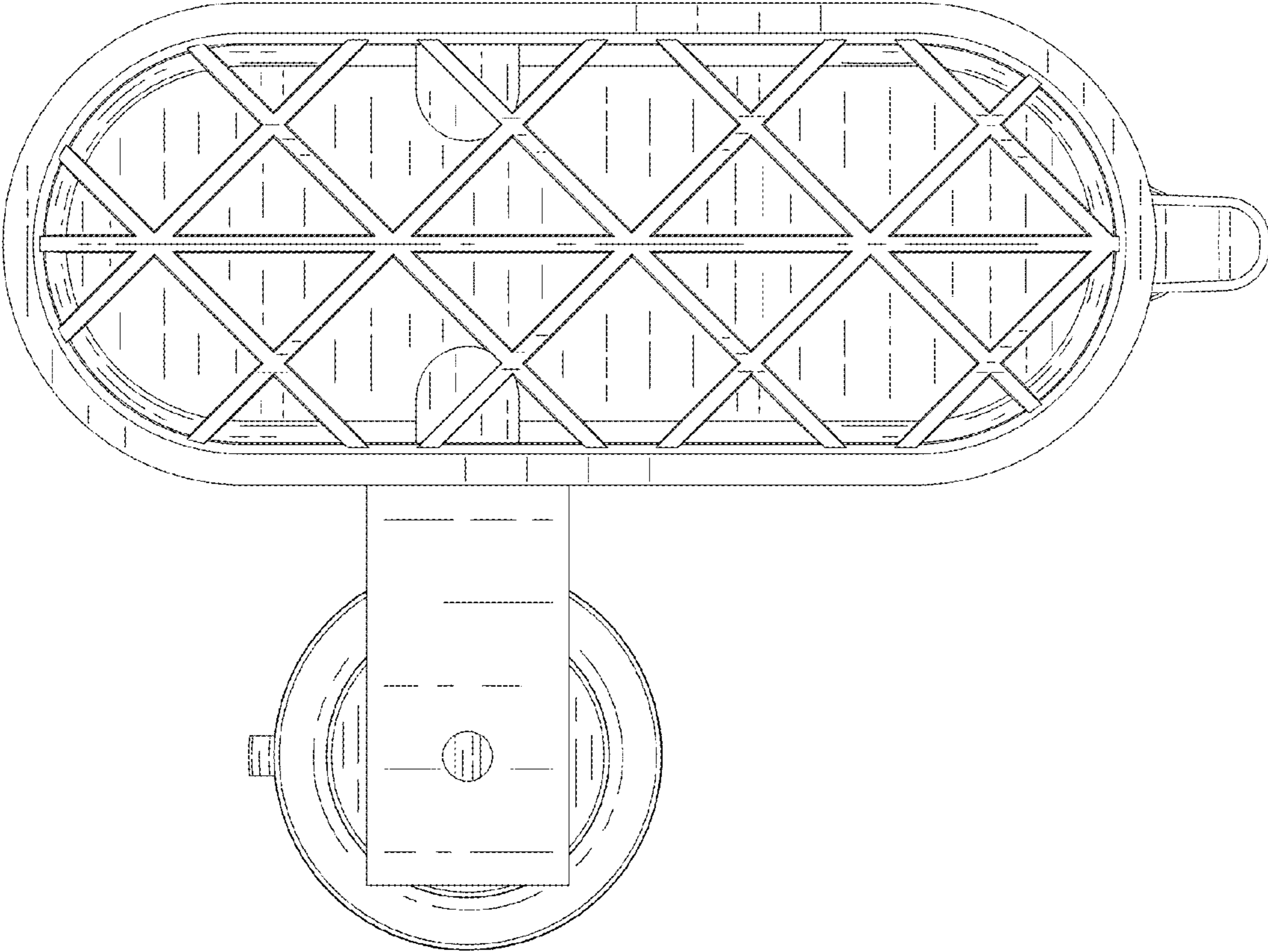


FIG. 5

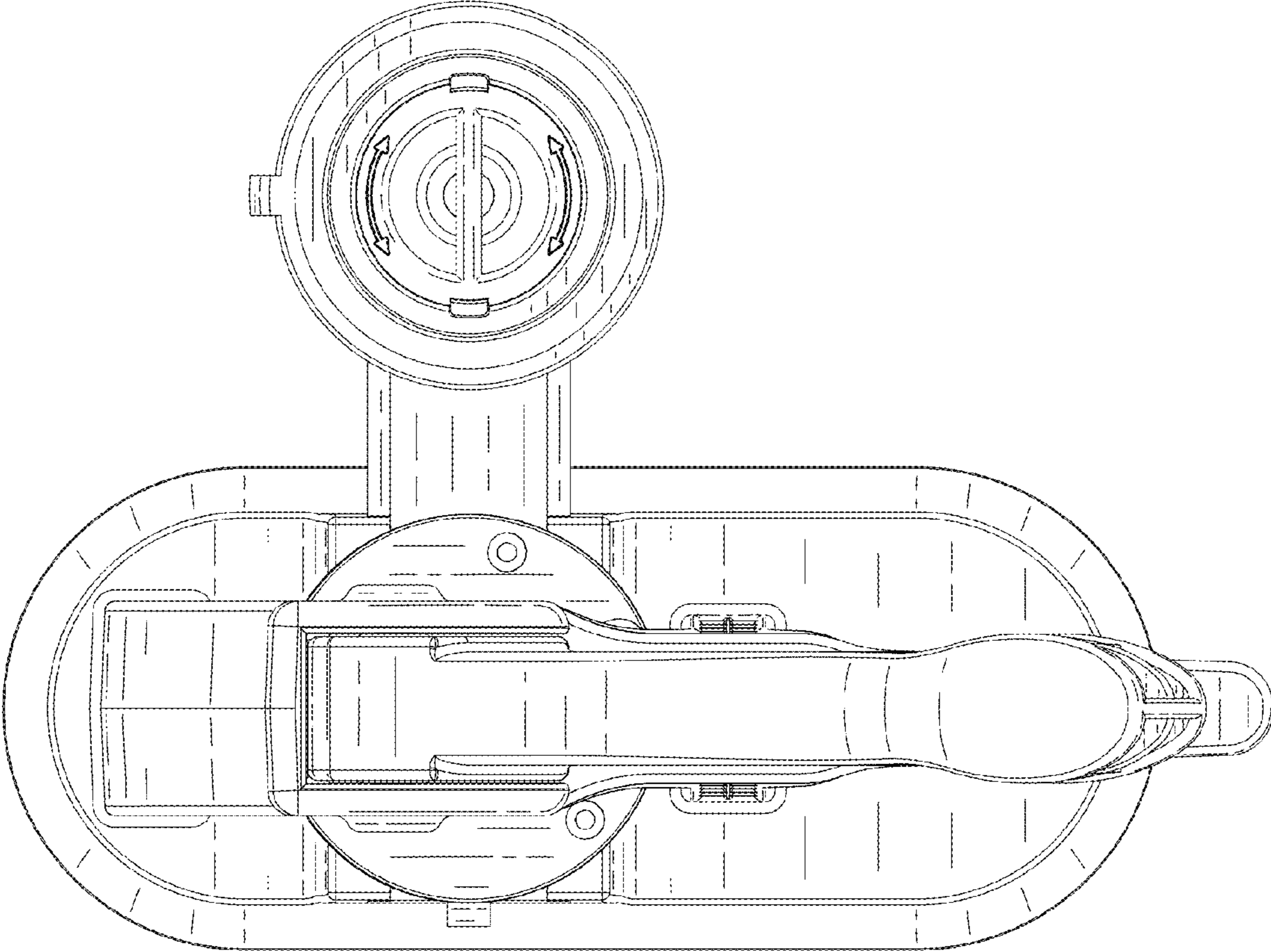


FIG. 6



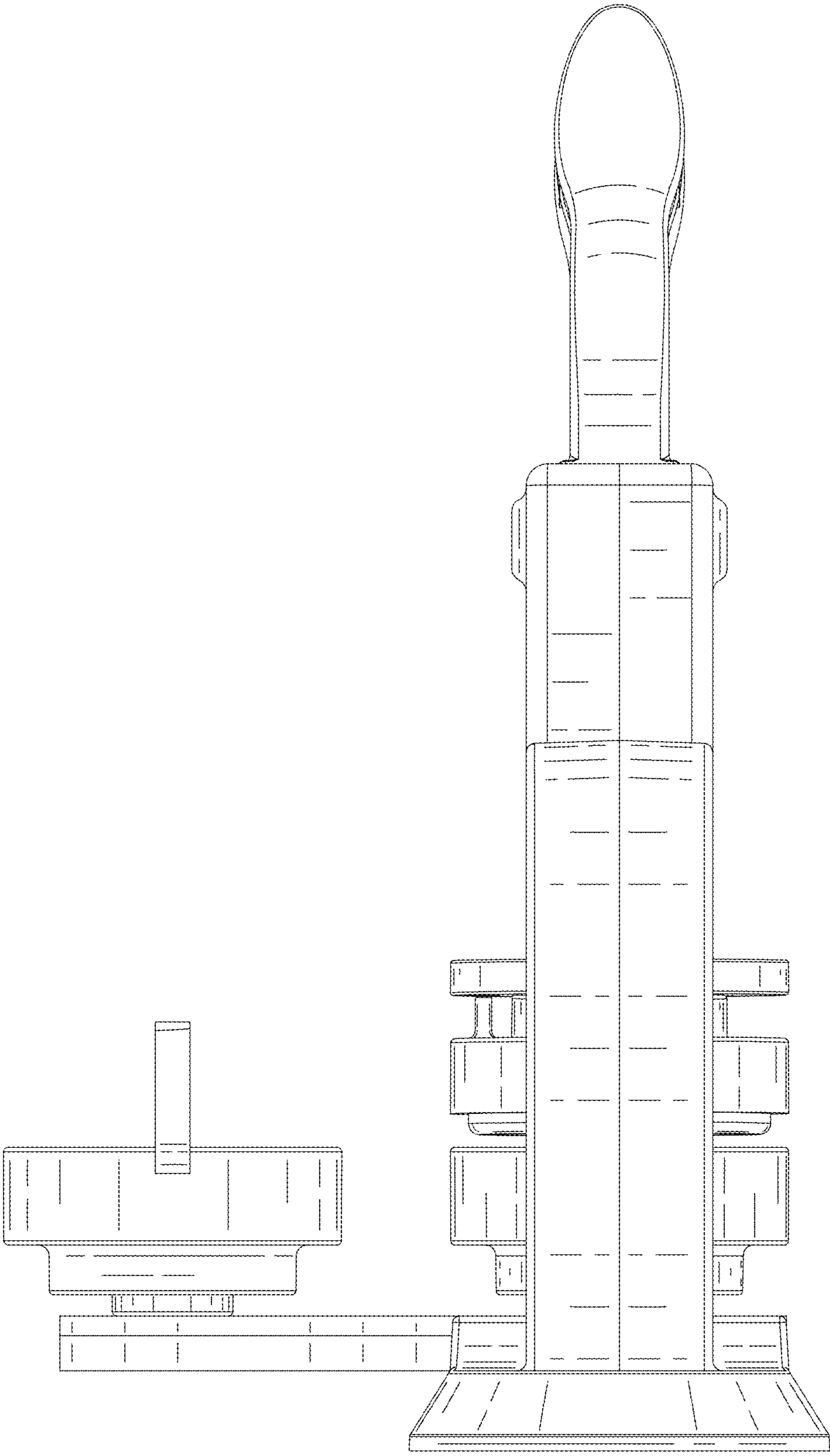


FIG. 7

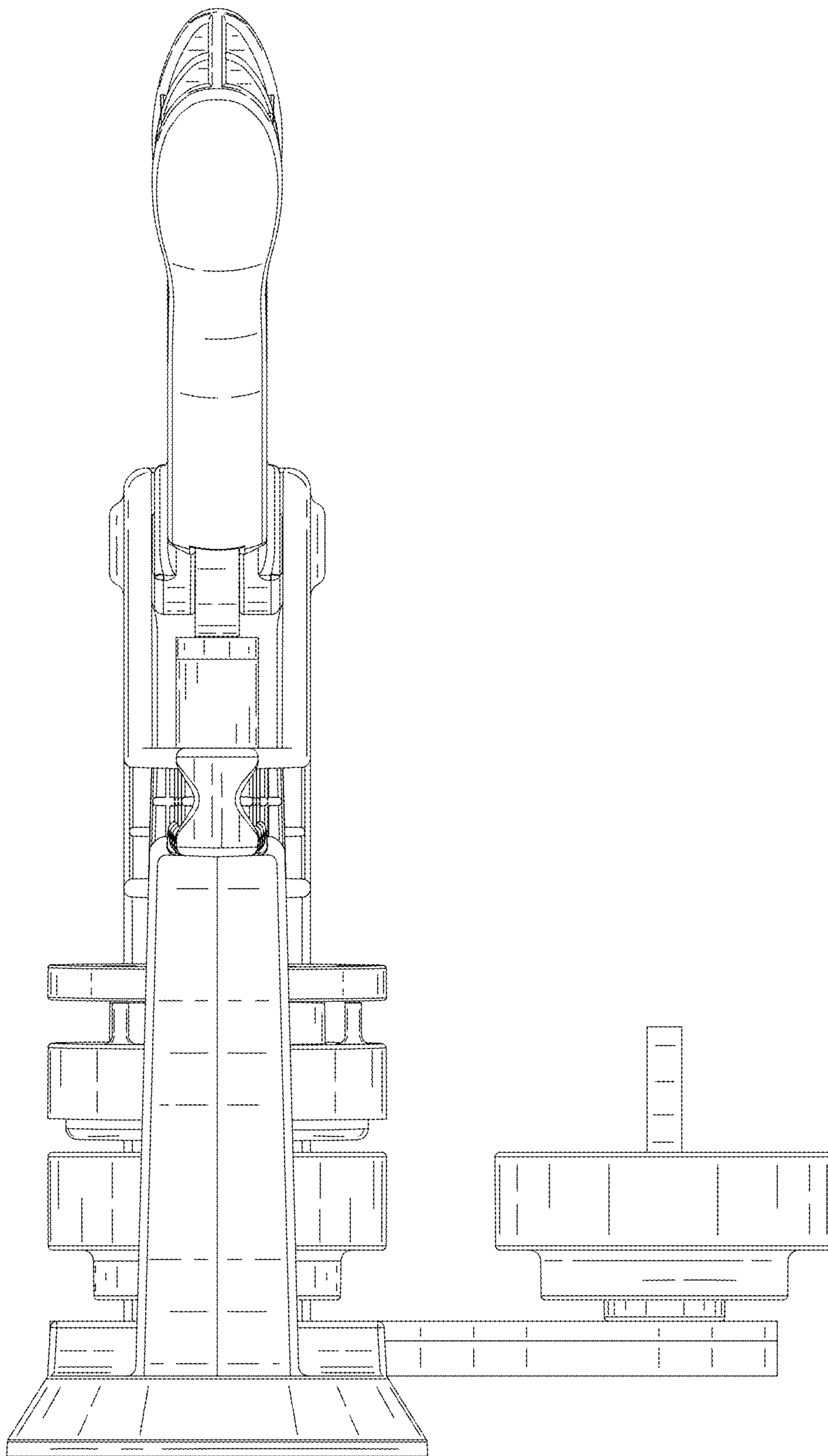


FIG. 8