

US00D967204S

(12) **United States Design Patent** (10) **Patent No.:** **US D967,204 S**
Agarwal (45) **Date of Patent:** **** Oct. 18, 2022**

(54) **CARBON FIBER MANUFACTURER**

(71) Applicant: **Sandip Agarwal**, Arlington, MA (US)

(72) Inventor: **Sandip Agarwal**, Arlington, MA (US)

(**) Term: **15 Years**

(21) Appl. No.: **29/697,774**

(22) Filed: **Jul. 11, 2019**

(51) **LOC (13) Cl.** **15-09**

(52) **U.S. Cl.**
USPC **D15/122**

(58) **Field of Classification Search**
USPC D15/66, 122, 135, 141, 144, 199
CPC ... D07B 3/00; D07B 5/00; D07B 7/00; D07B
3/005; D07B 3/02; D07B 3/022; D07B
3/04; D07B 3/045; D07B 7/021; D07B
7/027

See application file for complete search history.

(56) **References Cited**

U.S. PATENT DOCUMENTS

| | | | | | |
|--------------|------|---------|-----------------|-------|--------------------------|
| 3,169,360 | A * | 2/1965 | Corrall | | D07B 3/005 174/34 |
| 4,302,924 | A * | 12/1981 | Faulstich | | D07B 3/022 57/115 |
| 4,385,957 | A | 5/1983 | Wackerle et al. | | |
| 4,477,033 | A * | 10/1984 | Kotzur | | B65H 54/58 242/474.4 |
| 4,637,564 | A * | 1/1987 | Hallenbeck | | B65H 67/0405 242/470 |
| 2006/0138271 | A1 * | 6/2006 | Yamazaki | | B65H 67/052 242/475.7 |
| 2011/0185559 | A1 * | 8/2011 | Figenschou | | D07B 3/005 29/428 |
| 2011/0309183 | A1 * | 12/2011 | Imai | | B65H 65/005 242/473.8 |

2015/0101700 A1* 4/2015 Stier H01B 13/0271
140/149
2018/0311985 A1* 11/2018 Liao B05D 3/002
2021/0373473 A1* 12/2021 Lee B32B 25/08

* cited by examiner

Primary Examiner — Calvin E Vansant

Assistant Examiner — Mark T. Philipps

(74) *Attorney, Agent, or Firm* — Ross Brandborg

(57) **CLAIM**

I claim the ornamental design for a carbon fiber manufacturer, as shown and described.

DESCRIPTION

FIG. 1 shows a complete perspective view of the carbon fiber manufacturer.

FIG. 2 shows a close-up perspective view of the farthest left portion thereof.

FIG. 3 shows a close-up perspective view to the right of FIG. 2.

FIG. 4 shows a close-up perspective view to the right of FIG. 3.

FIG. 5 shows a close-up perspective view to the right of FIG. 4; and,

FIG. 6 shows a close-up perspective view of the farthest right portion thereof.

The waved dashed lines in FIGS. 2-6 indicated the bounds of enlarged segments and form no part of the claimed invention. All other dashed lines depict portions of the carbon fiber manufacturer that form no part of the claimed design.

1 Claim, 6 Drawing Sheets

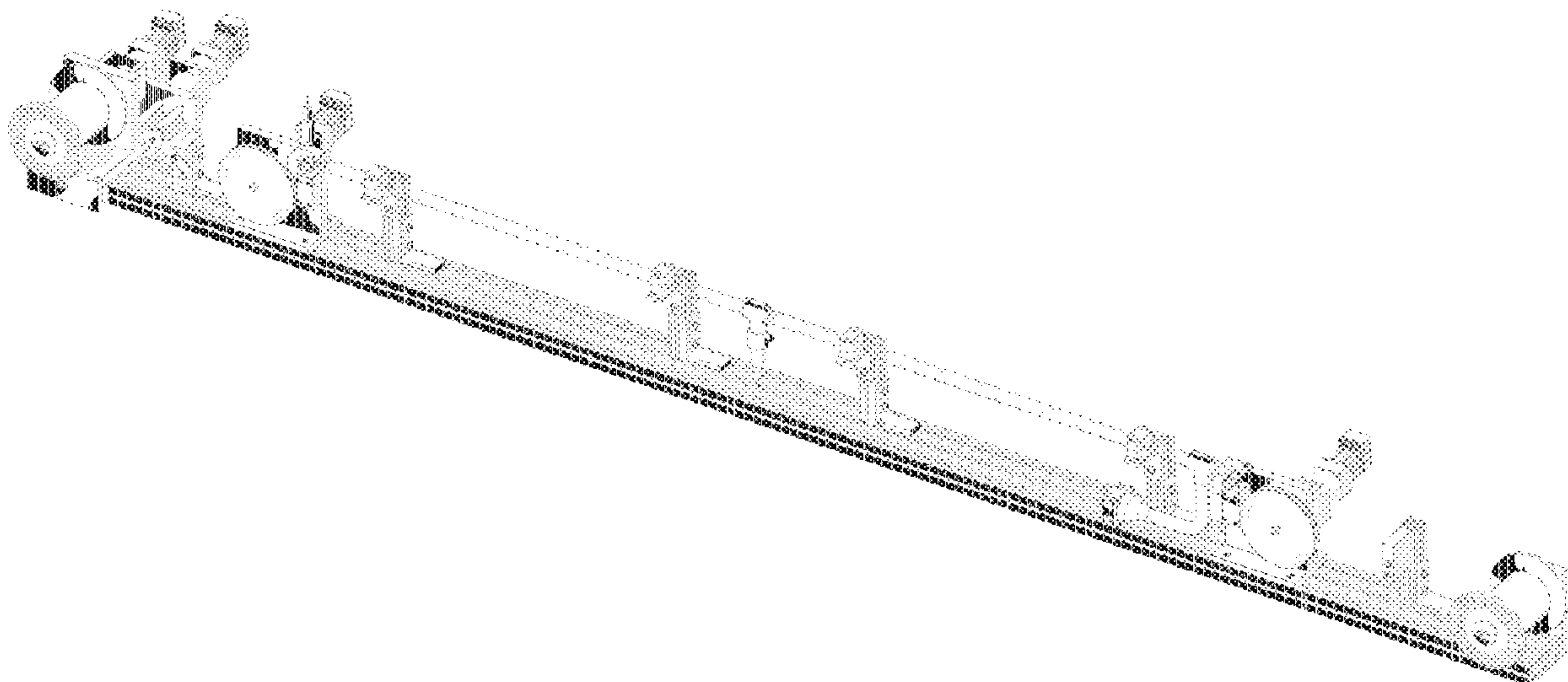


FIG.1

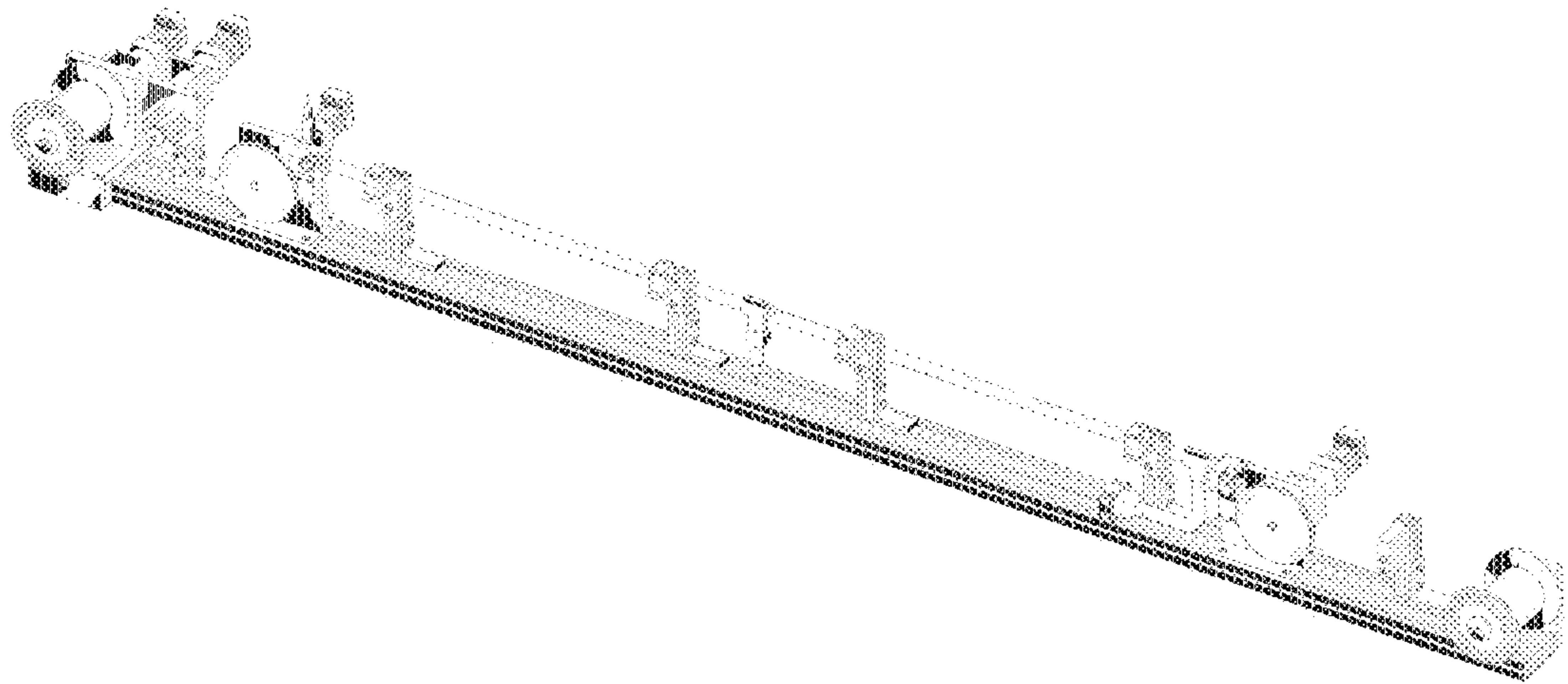


FIG.2

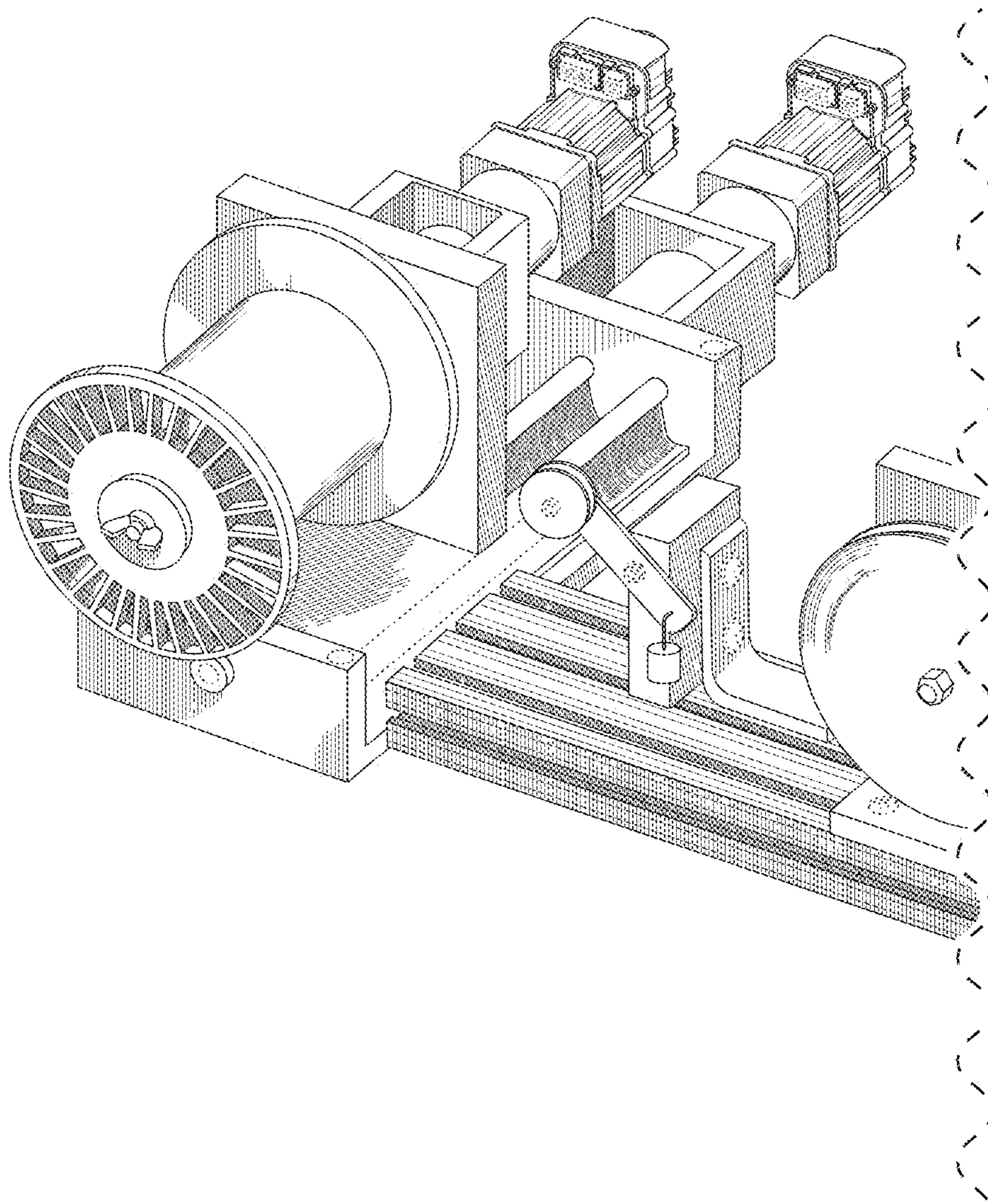


FIG.3

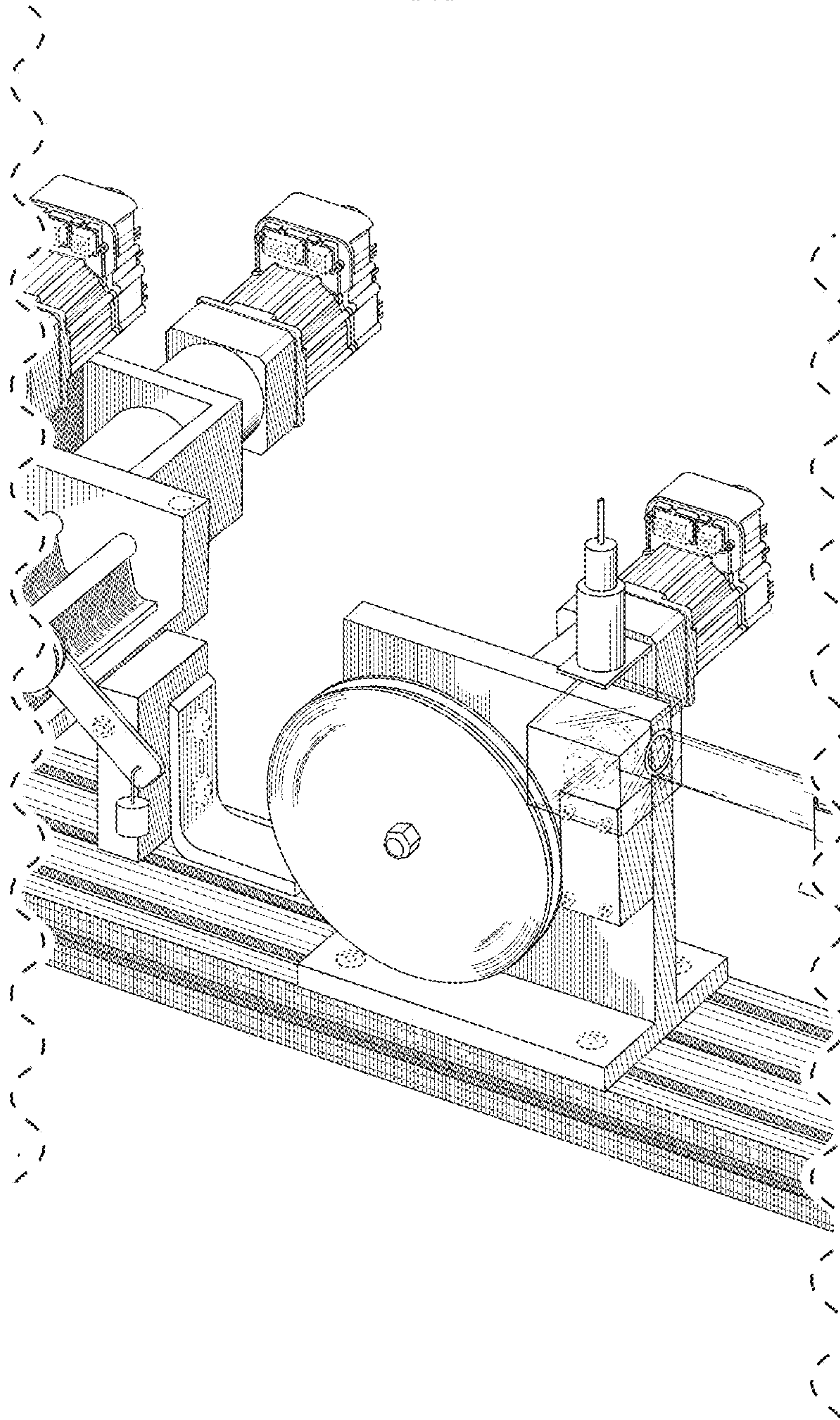


FIG.4

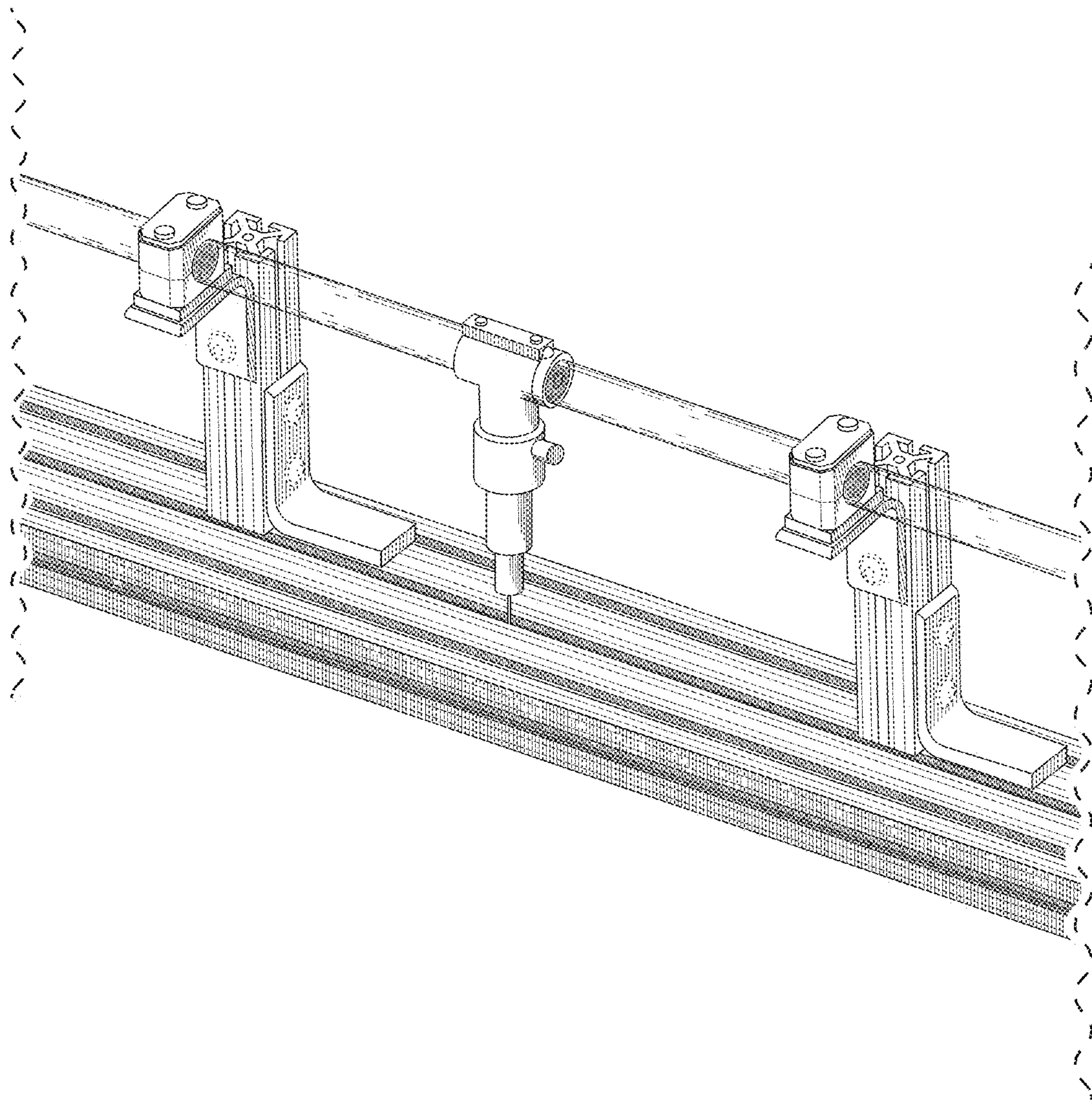


FIG.5

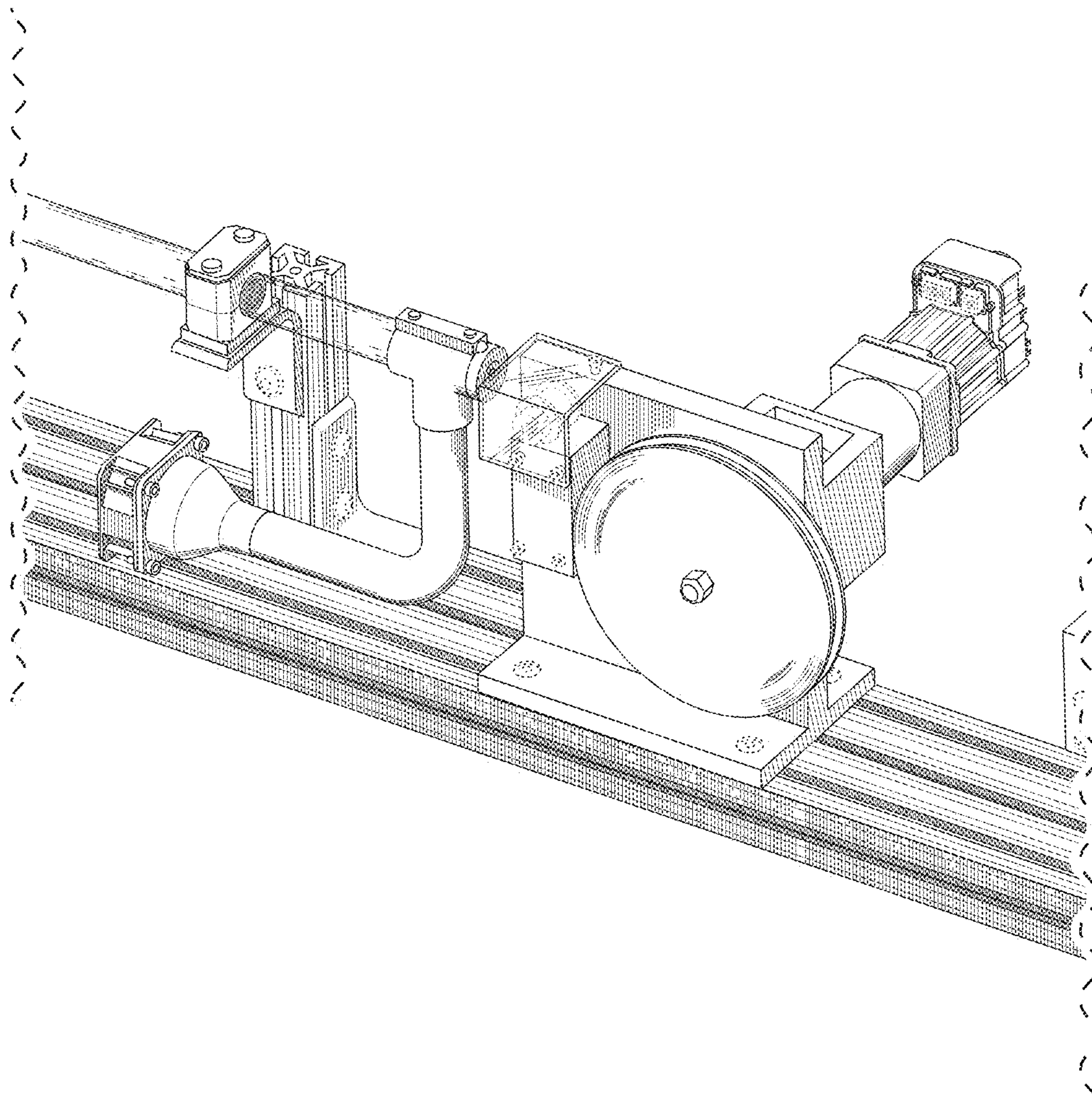


FIG.6

