



US00D967203S

(12) **United States Design Patent**  
**Hoover**

(10) **Patent No.:** **US D967,203 S**  
(45) **Date of Patent:** **\*\* Oct. 18, 2022**

- (54) **YARN UNWINDING CONTROL RING**
- (71) Applicant: **American Linc, LLC**, Gastonia, NC (US)
- (72) Inventor: **Donald Lynn Hoover**, Cramerton, NC (US)
- (73) Assignee: **American Linc, LLC**, Gastonia, NC (US)
- (\*\*) Term: **15 Years**
- (21) Appl. No.: **29/763,597**
- (22) Filed: **Dec. 23, 2020**
- (51) **LOC (13) Cl.** ..... **15-06**
- (52) **U.S. Cl.**  
USPC ..... **D15/78**
- (58) **Field of Classification Search**  
USPC ..... D15/66, 72, 78  
CPC ..... D04B 15/00; D04B 15/38; D04B 15/48;  
D04B 15/54; B65H 2701/31; B65H 2701/38; B65H 57/00; B65H 57/04;  
B65H 57/003; B65H 57/06; B65H 57/26;  
B65H 54/00; B65H 54/22; B65H 54/2887; B65H 54/70; B65H 59/38;  
B65H 59/385; B65H 59/387; B65H 59/388; B65H 57/10; B65H 57/24; D01H 13/04; D01H 1/02  
See application file for complete search history.

- 3,892,065 A \* 7/1975 Kanai ..... D01H 1/425  
242/157 R
- 3,958,404 A \* 5/1976 Kanai ..... D01H 1/425  
57/355
- 4,423,590 A \* 1/1984 Tsukamoto ..... D01H 1/425  
57/357

**OTHER PUBLICATIONS**

“Textile Ceramic O Ring Guide with Groove”, available on m.made-in-china.com, undated product page, retrieved on Jul. 7, 2022 [online], available from the internet URL: <https://m.made-in-china.com/product/Textile-Ceramic-O-Ring-Guide-with-Groove-1945040875.html> (Year: 2022).\*

\* cited by examiner

*Primary Examiner* — Calvin E Vansant  
*Assistant Examiner* — Eidiol Ghigliotty Torres  
(74) *Attorney, Agent, or Firm* — Schwartz Law Firm, P.C.

(57) **CLAIM**

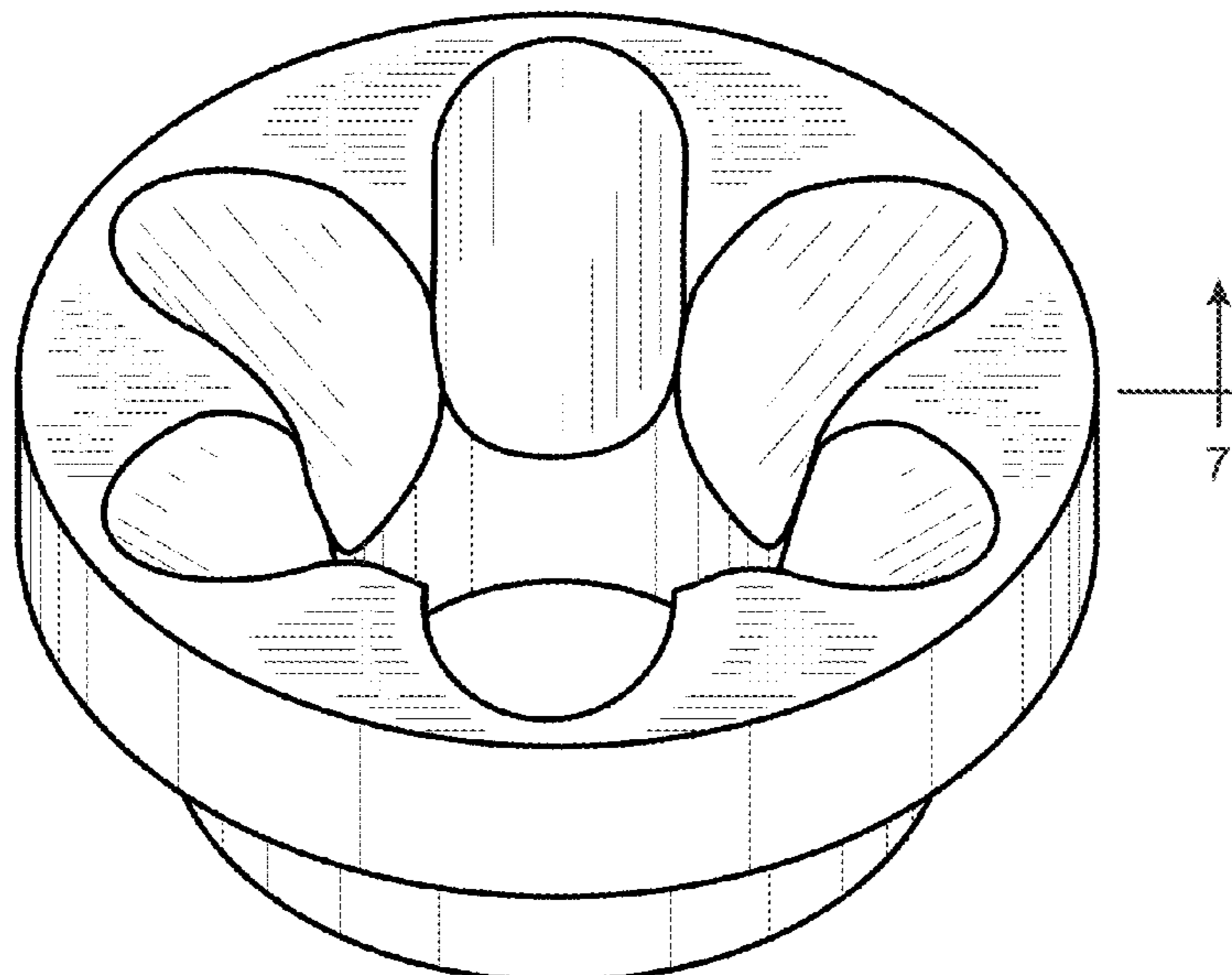
I claim the ornamental design for a yarn unwinding control ring, as shown and described.

**DESCRIPTION**

FIG. 1 is an environmental view of the yarn unwinding control ring;  
FIG. 2 is a bottom plan view of the yarn unwinding control ring;  
FIG. 3 is a bottom perspective view of the yarn unwinding control ring;  
FIG. 4 is a top plan view of the yarn unwinding control ring;  
FIG. 5 is a top perspective view of the yarn unwinding control ring;  
FIG. 6 is a side view of the yarn unwinding control ring; and,  
FIG. 7 is a cross-sectional view of the yarn unwinding control ring taken at section line 7 in FIG. 6.  
In FIG. 1, the yarn package and supply canister shown in broken lines represent environmental components in a textile machine and form no part of the claimed design.

**1 Claim, 4 Drawing Sheets**

- (56) **References Cited**  
U.S. PATENT DOCUMENTS  
3,316,703 A \* 5/1967 McKelvie ..... D01H 1/425  
57/356  
3,646,746 A \* 3/1972 Murray ..... D01H 1/425  
57/355  
3,863,433 A \* 2/1975 Kanai ..... D01H 1/425  
57/357



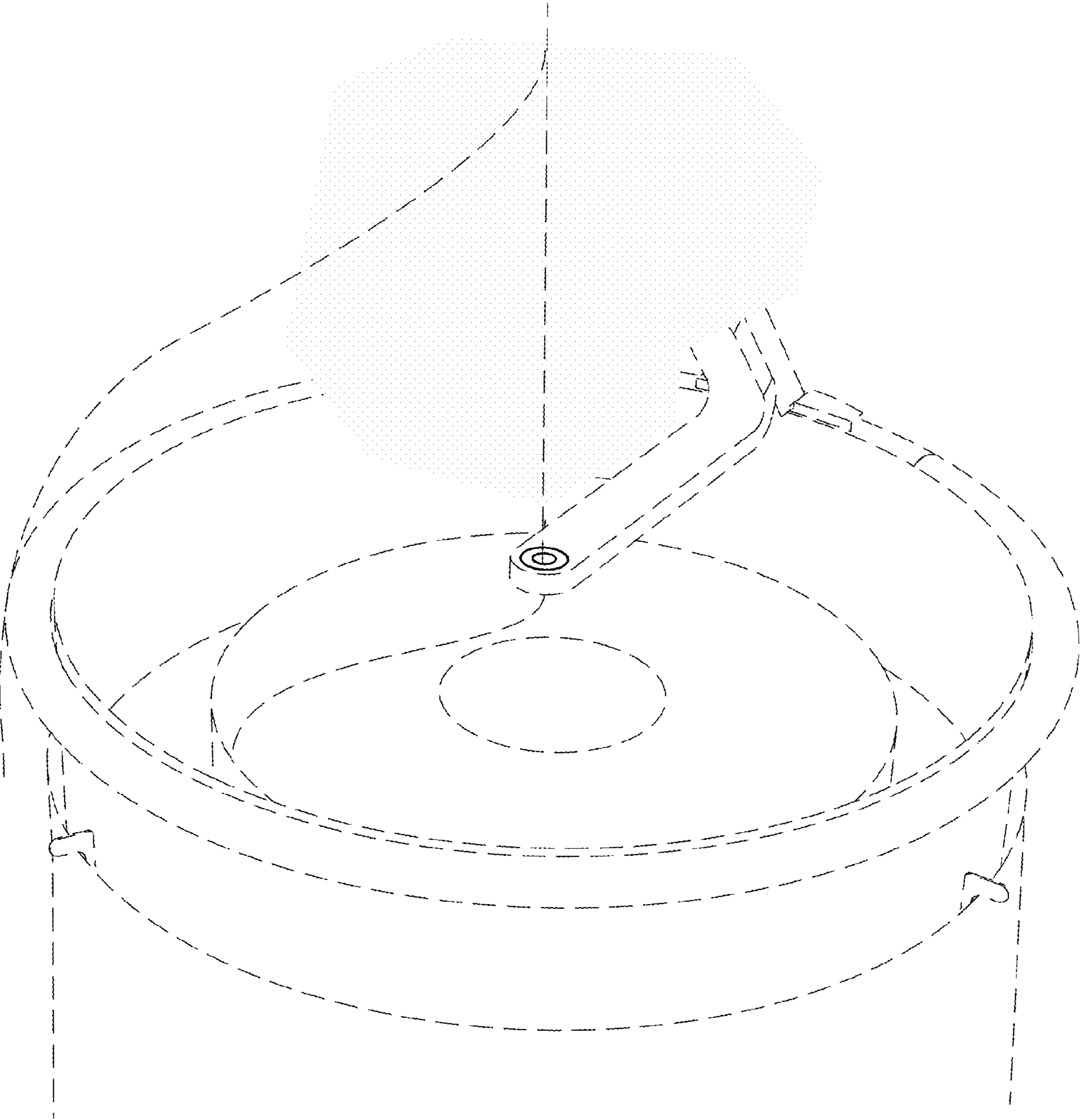


FIG. 1

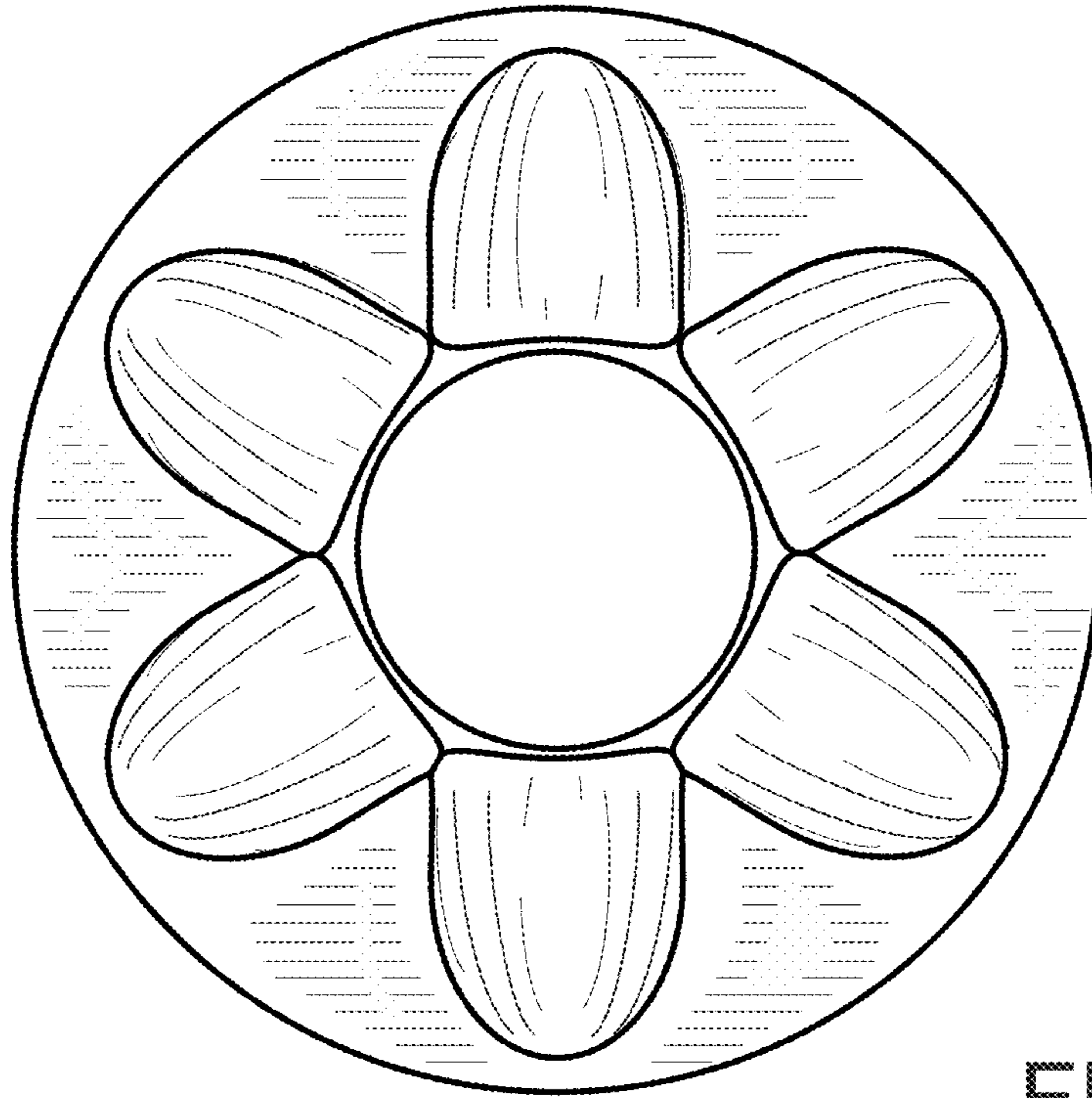


FIG. 2

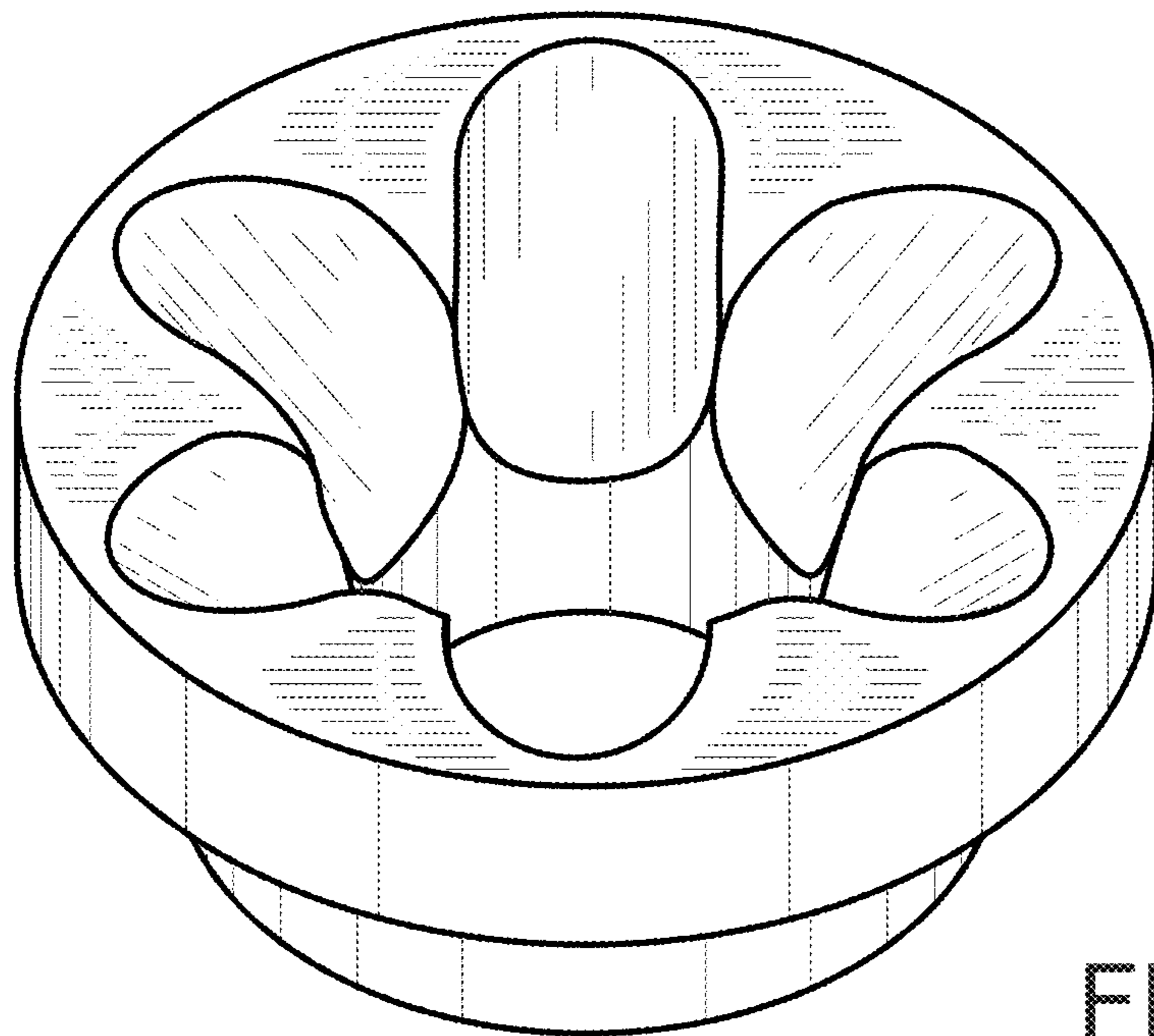


FIG. 3

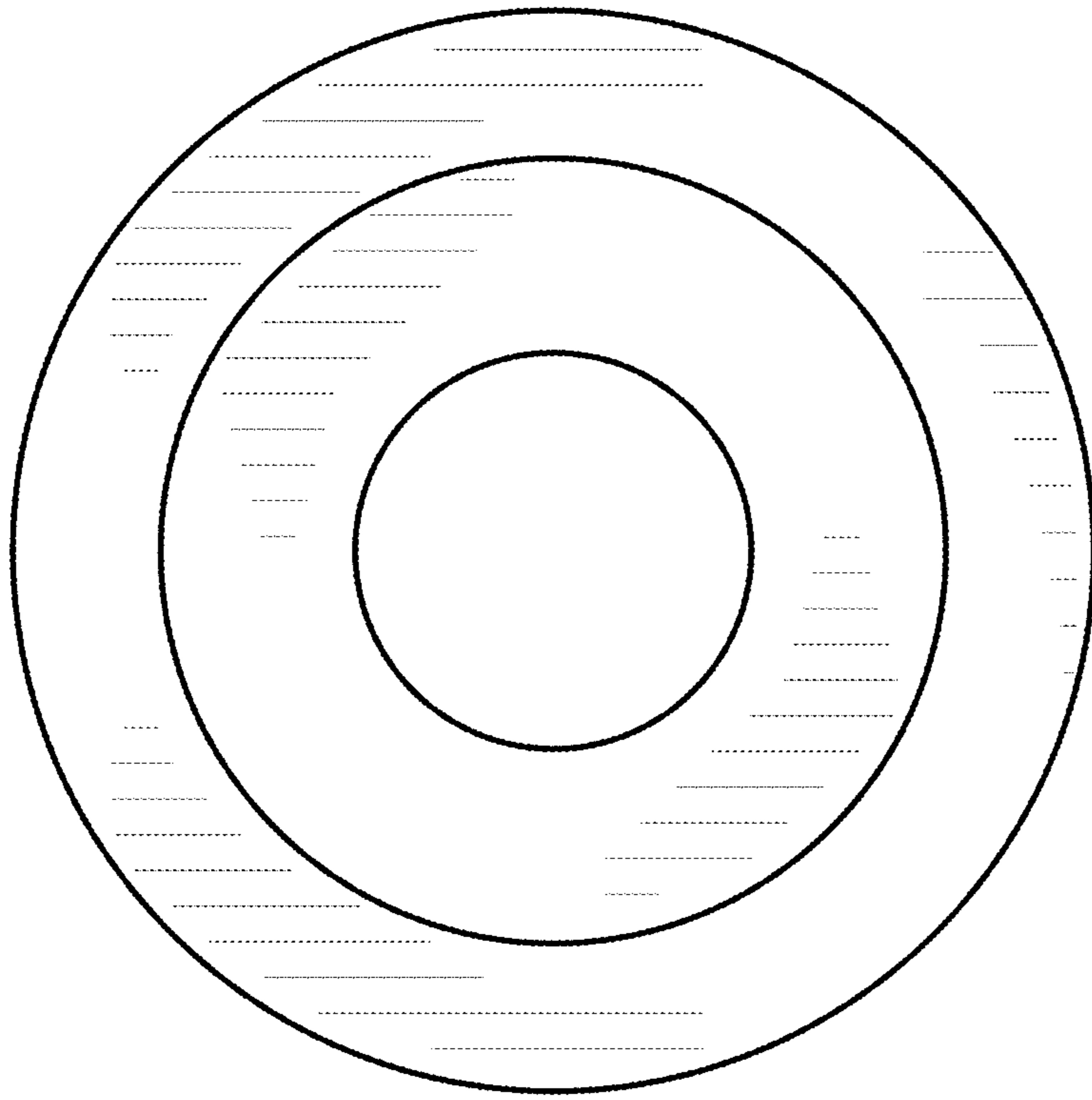


FIG. 4

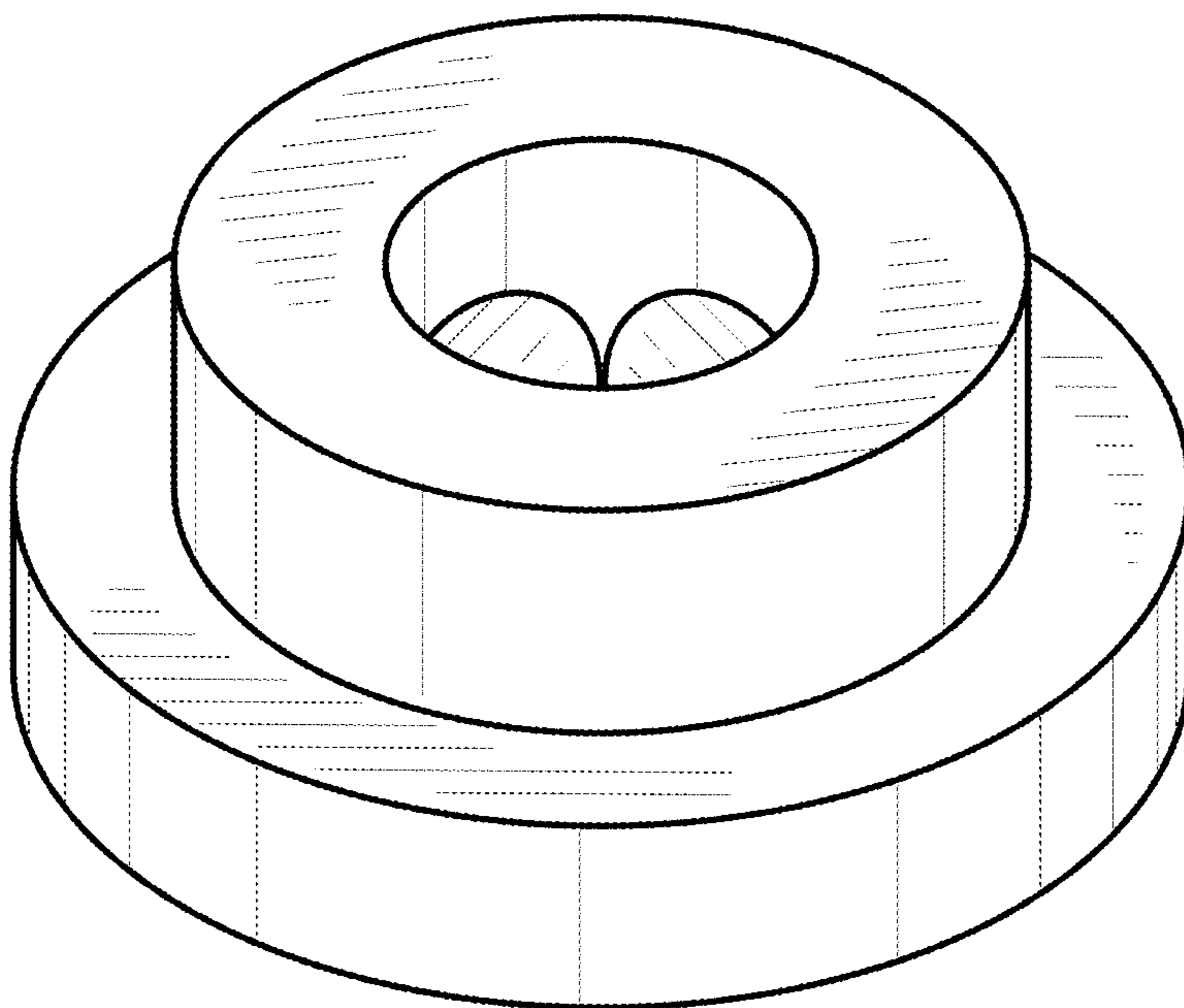


FIG. 5

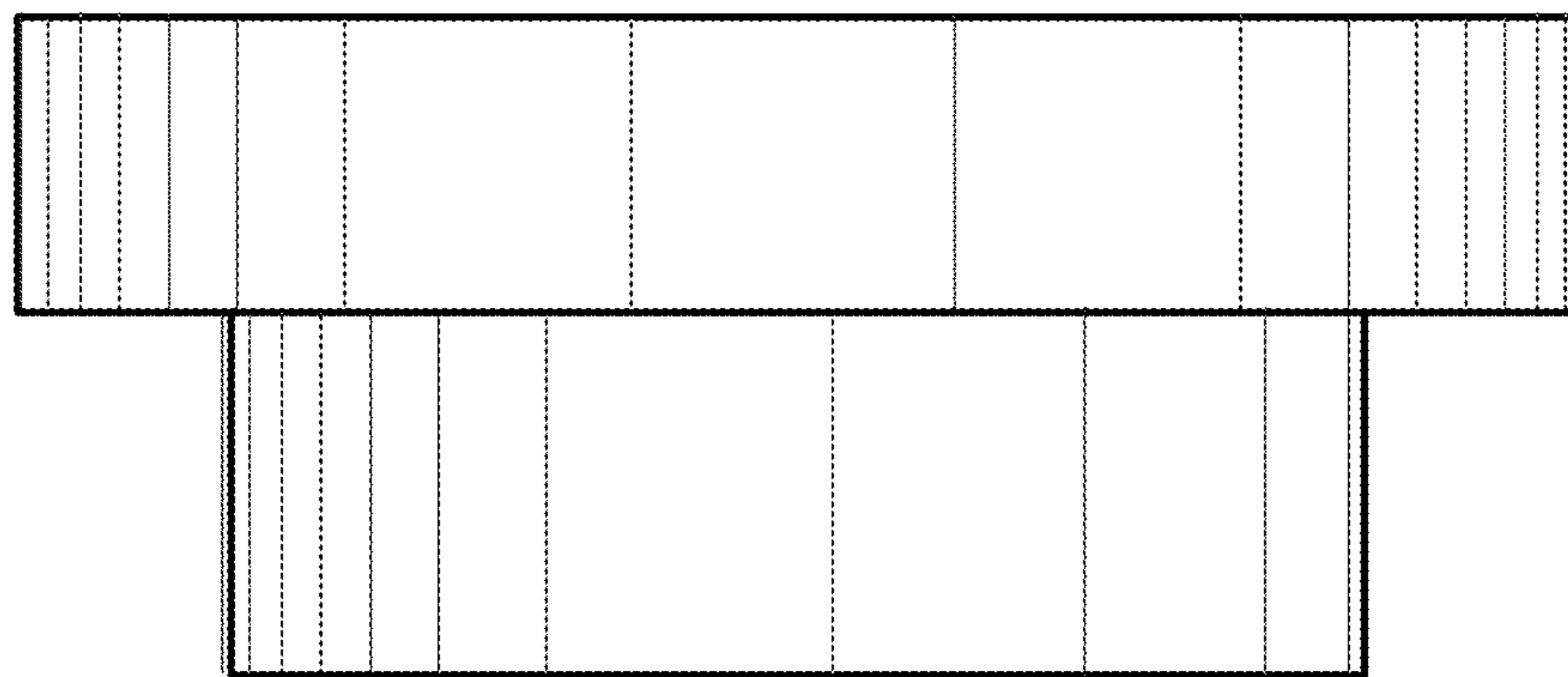


FIG. 6

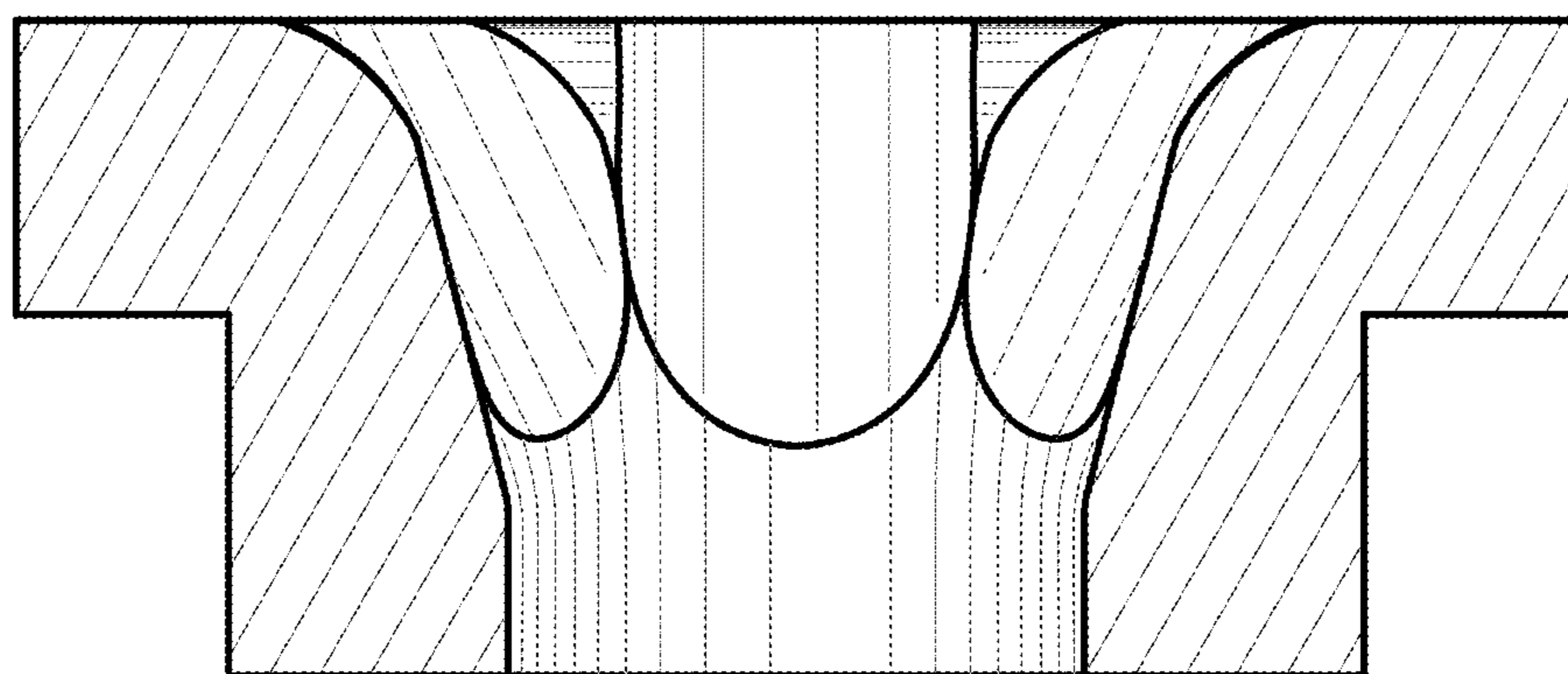


FIG. 7