

US00D967200S

(12) **United States Design Patent** (10) **Patent No.:** **US D967,200 S**
Faessler (45) **Date of Patent:** **** Oct. 18, 2022**

(54) **FIELD SWEEP**
(71) Applicant: **McFarlane Manufacturing Co.,** Sauk City, WI (US)
(72) Inventor: **Aaron J. Faessler,** Cross Plains, WI (US)
(73) Assignee: **McFarlane Manufacturing Co.,** Sauk City, WI (US)
(**) Term: **15 Years**
(21) Appl. No.: **29/753,851**
(22) Filed: **Oct. 2, 2020**
(51) **LOC (13) Cl.** **15-03**
(52) **U.S. Cl.**
USPC **D15/29**
(58) **Field of Classification Search**
USPC D15/29
CPC A01B 37/00; A01B 35/26; A01B 35/22;
A01B 35/225; A01B 13/08; A01B 23/02;
A01B 15/04; A01B 15/025
See application file for complete search history.

5,941,318 A * 8/1999 Bergen A01B 35/225
403/374.1
5,983,813 A * 11/1999 Swab A01C 5/062
111/152
6,119,321 A * 9/2000 Bruce A01B 35/22
172/765
D480,734 S * 10/2003 Poutre D15/29
D786,315 S * 5/2017 Hua D15/28
10,314,221 B2 6/2019 Balvanz
10,568,252 B2 2/2020 Hemerson
2003/0010157 A1 * 1/2003 Bruce A01B 35/22
172/732
2005/0252668 A1 * 11/2005 Poutre A01B 15/04
172/724
2012/0227993 A1 * 9/2012 Ingersoll A01B 23/02
172/721
2016/0227695 A1 * 8/2016 Skjæveland A01B 23/02
(Continued)

Primary Examiner — Mark A Goodwin
(74) *Attorney, Agent, or Firm* — Foley & Lardner LLP

(57) **CLAIM**

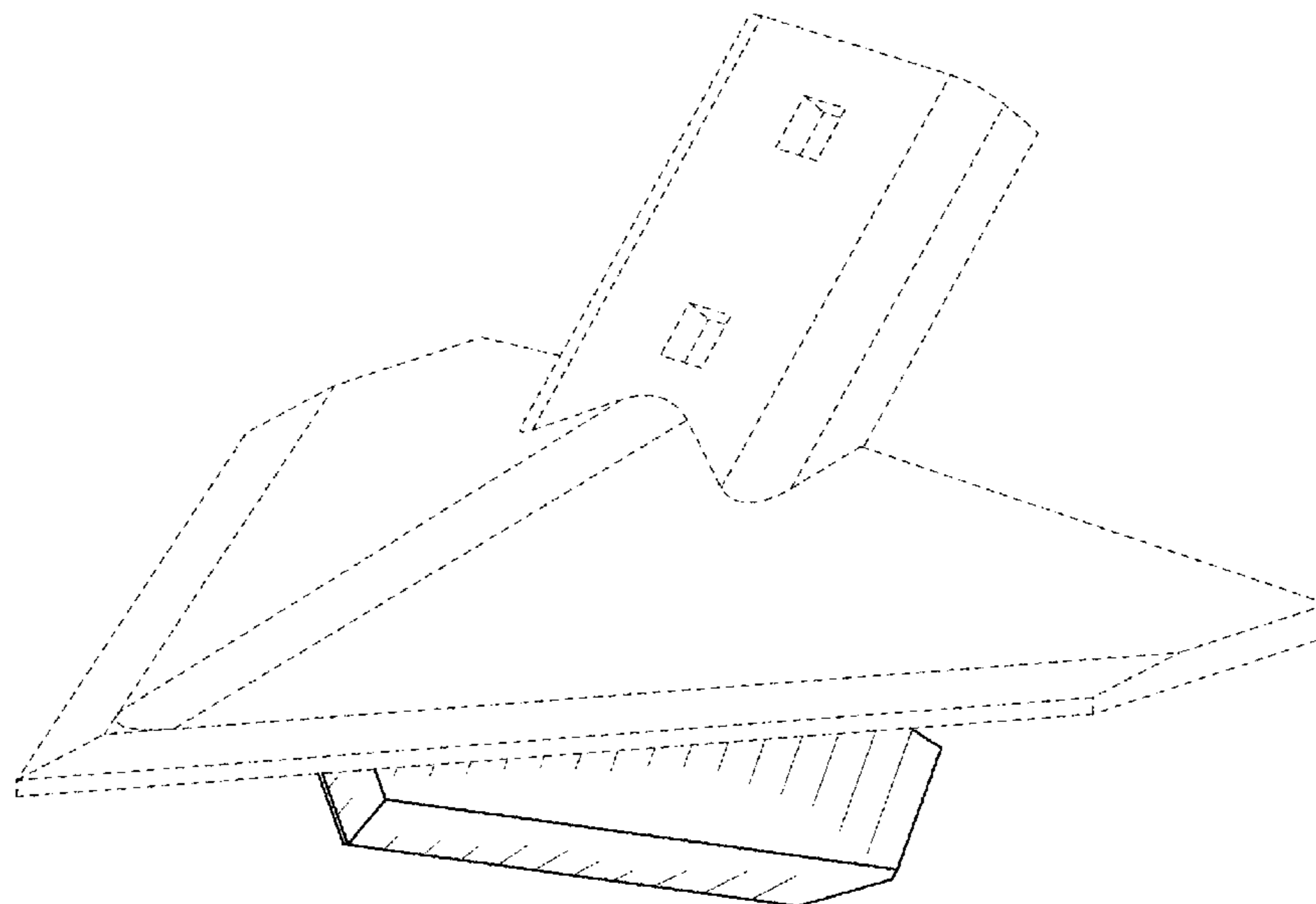
I claim the ornamental design for a field sweep, as shown and described.

DESCRIPTION

FIG. 1 is a top, front perspective view of the claimed design of a field sweep;
FIG. 2 is a front view according to the claimed design;
FIG. 3 is a rear view according to the claimed design;
FIG. 4 is a right side view according to the claimed design;
FIG. 5 is a left side view according to the claimed design;
FIG. 6 is a top view from above according to the claimed design; and,
FIG. 7 is a bottom view from below according to the claimed design.
Any portion of the article depicted in broken lines forms no part of the claimed design.

1 Claim, 5 Drawing Sheets

(56) **References Cited**
U.S. PATENT DOCUMENTS
2,595,353 A * 5/1952 Graham A01B 35/22
172/733
D288,689 S * 3/1987 Johnson D15/29
4,787,462 A * 11/1988 Nichols A01B 35/26
172/730
4,850,435 A * 7/1989 Morris A01B 35/26
172/732
5,176,209 A * 1/1993 VandenBrink A01B 35/20
172/765
5,271,342 A * 12/1993 Neidhardt A01C 23/025
111/119
5,373,904 A * 12/1994 Sanders A01B 15/025
172/721



(56)

References Cited

U.S. PATENT DOCUMENTS

2017/0257998 A1* 9/2017 Hemerson A01B 35/26
2018/0368305 A1* 12/2018 Sanderson A01B 35/225
2019/0098823 A1* 4/2019 Gertson A01B 23/02
2021/0007263 A1* 1/2021 Bärnthaler A01B 15/06
2021/0051831 A1* 2/2021 Kovach A01B 35/225
2021/0251125 A1* 8/2021 Roepsch A01B 33/021

* cited by examiner

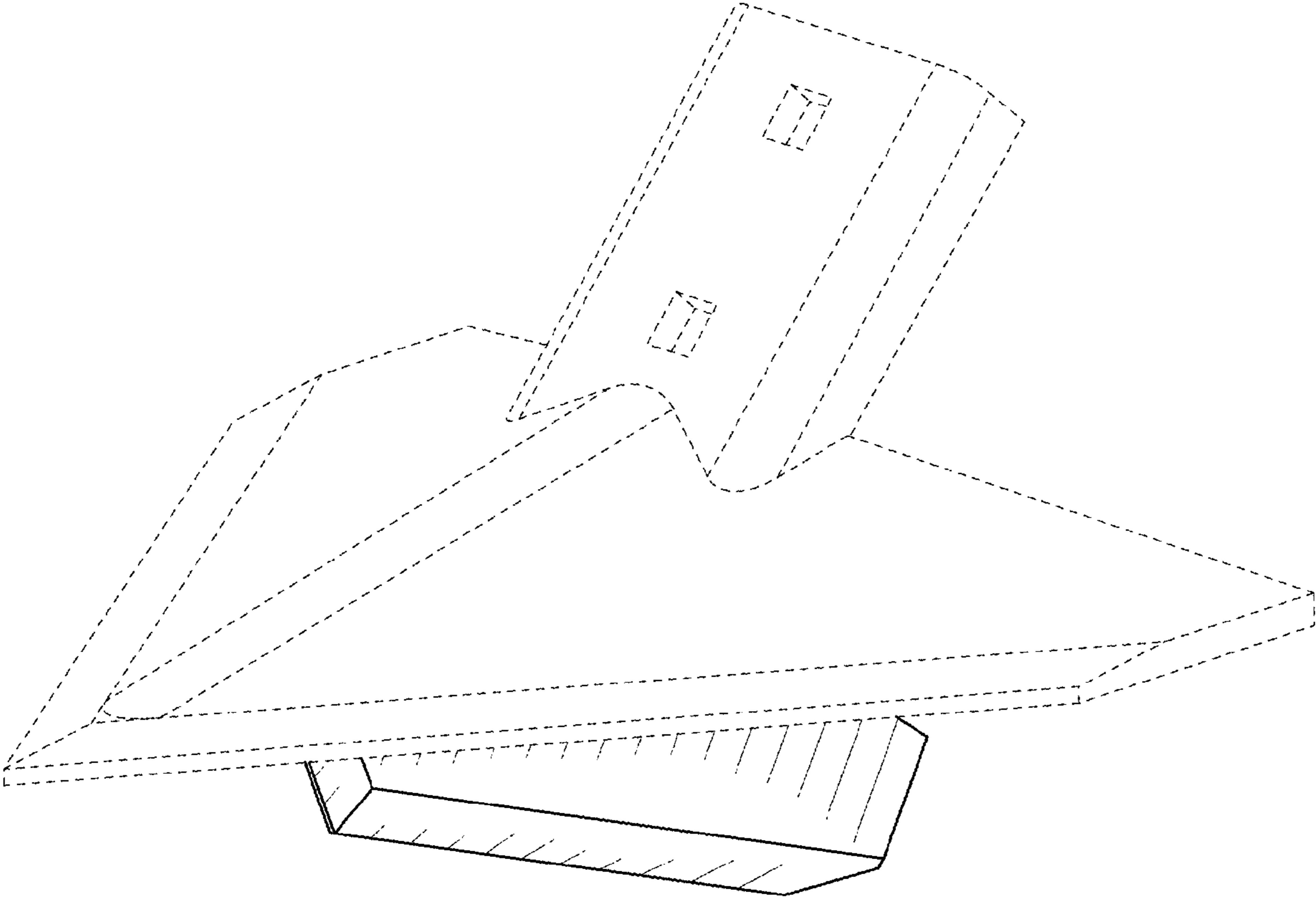


FIG. 1

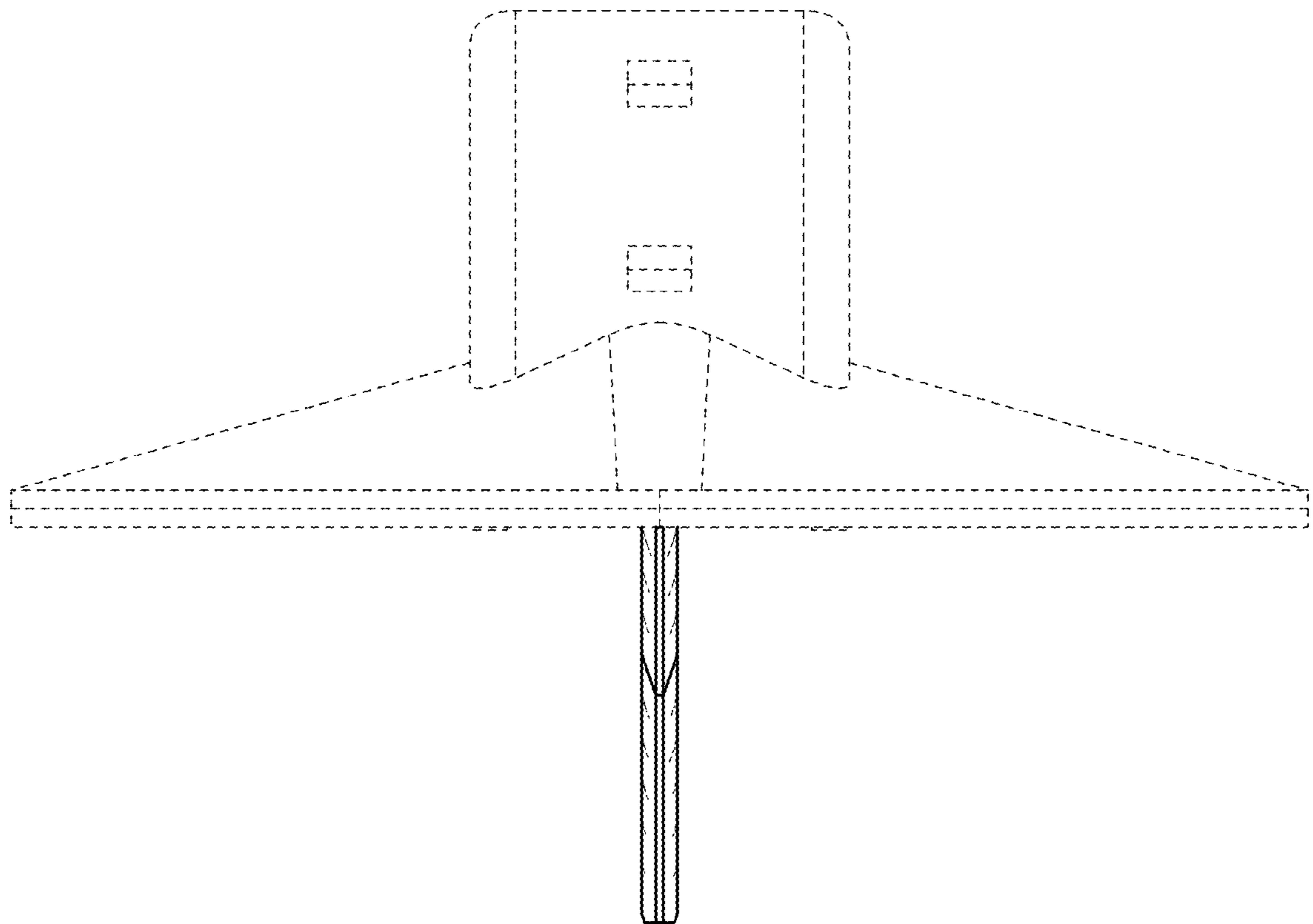


FIG. 2

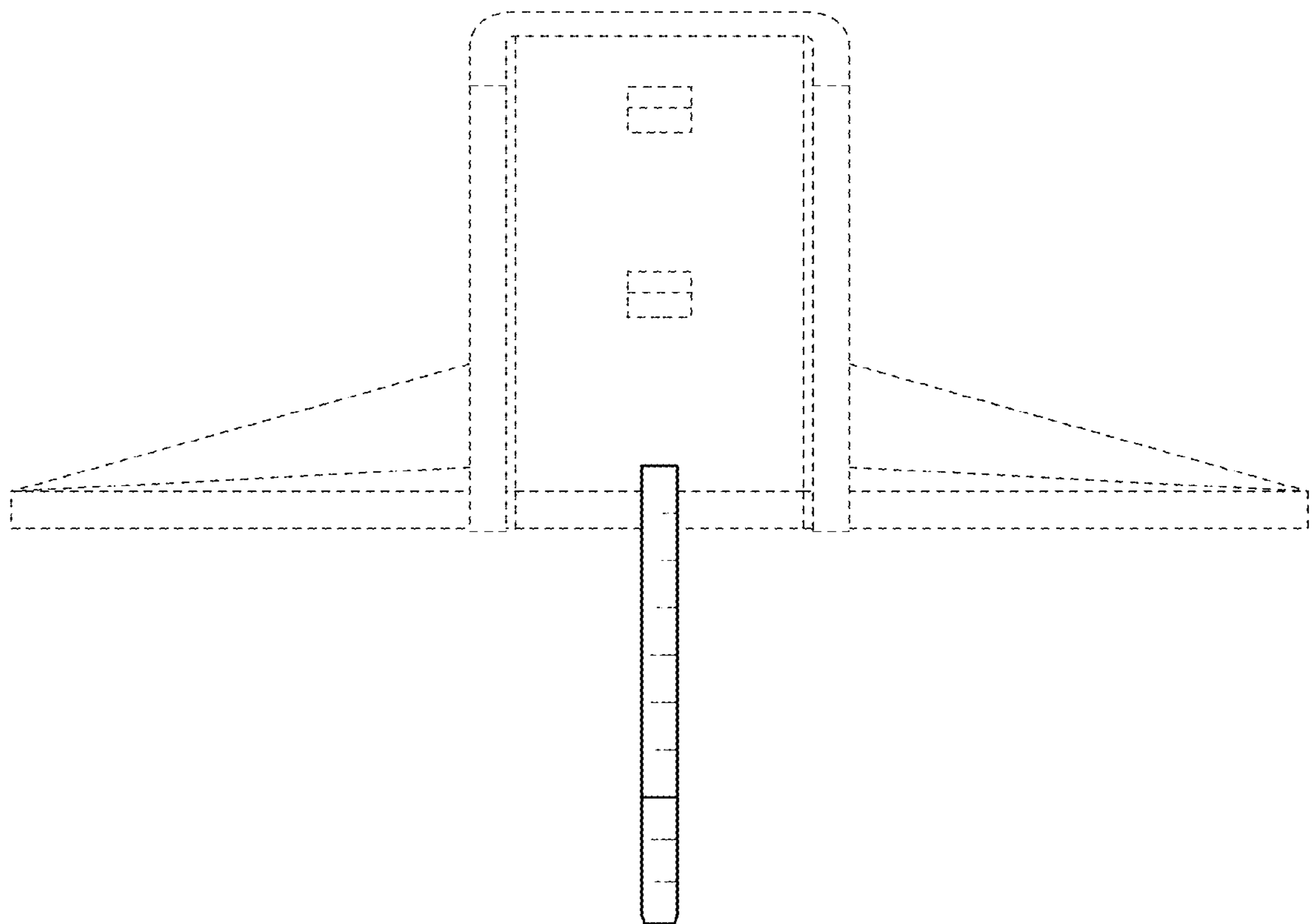


FIG. 3

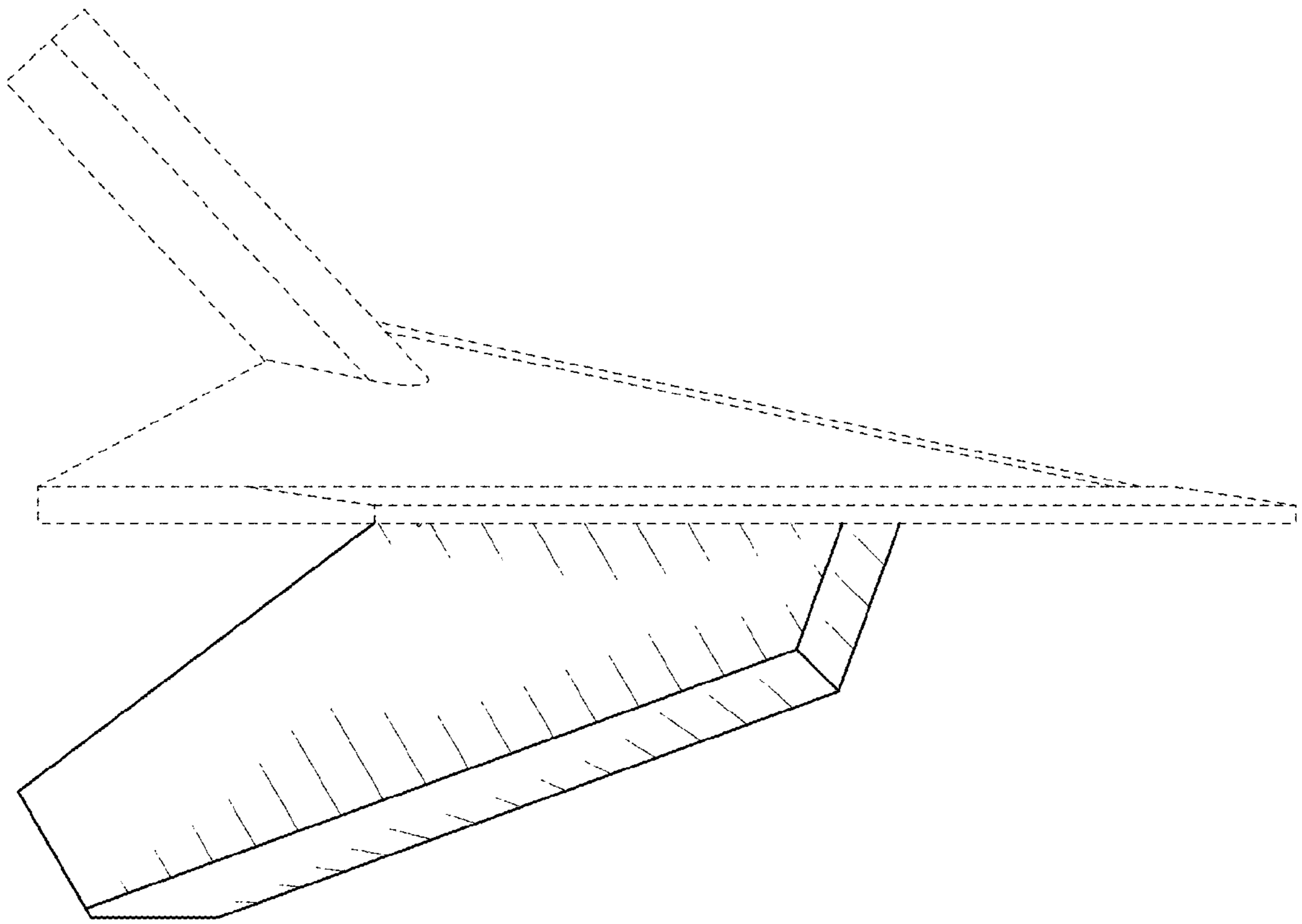


FIG. 4

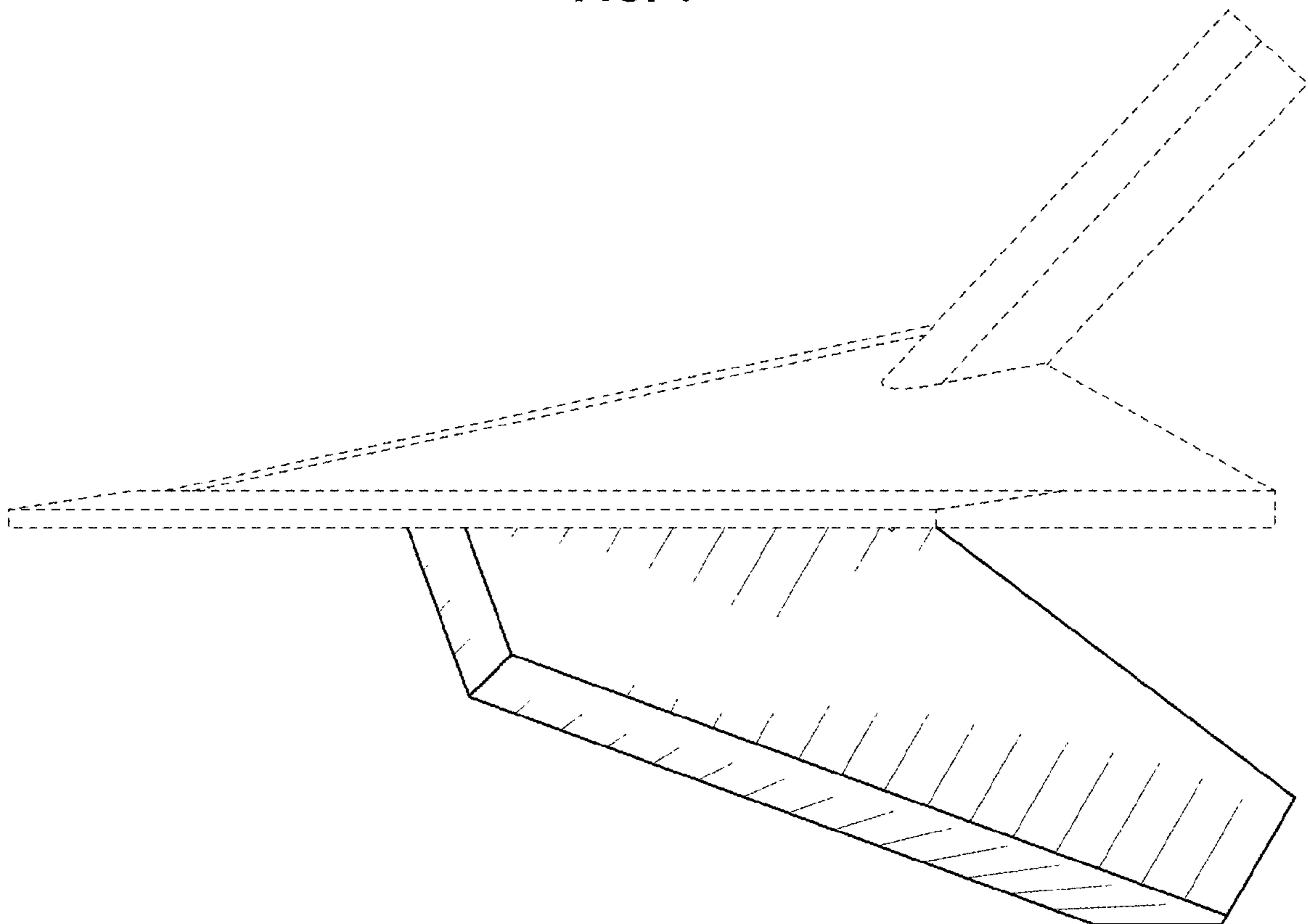


FIG. 5

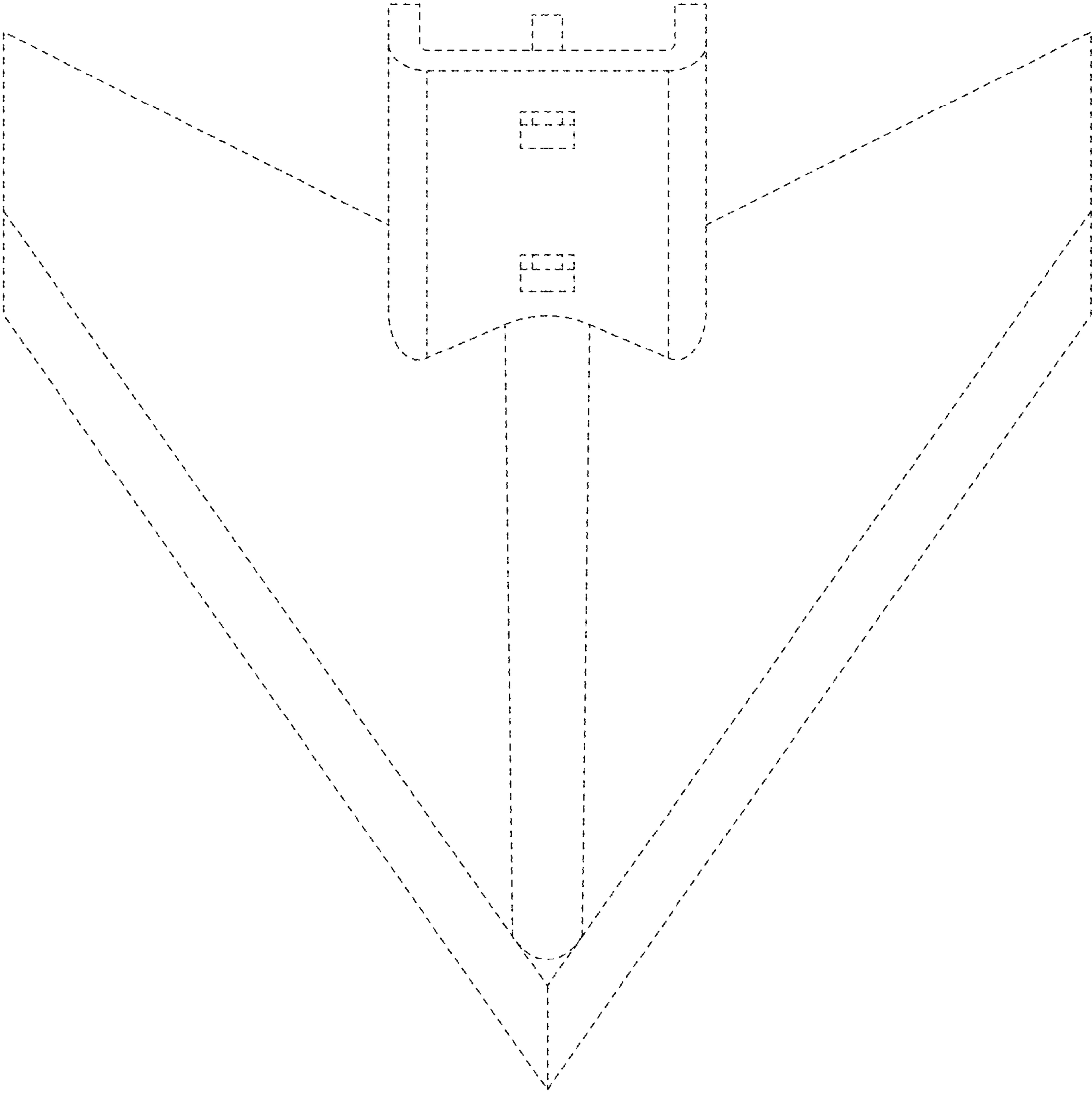


FIG. 6

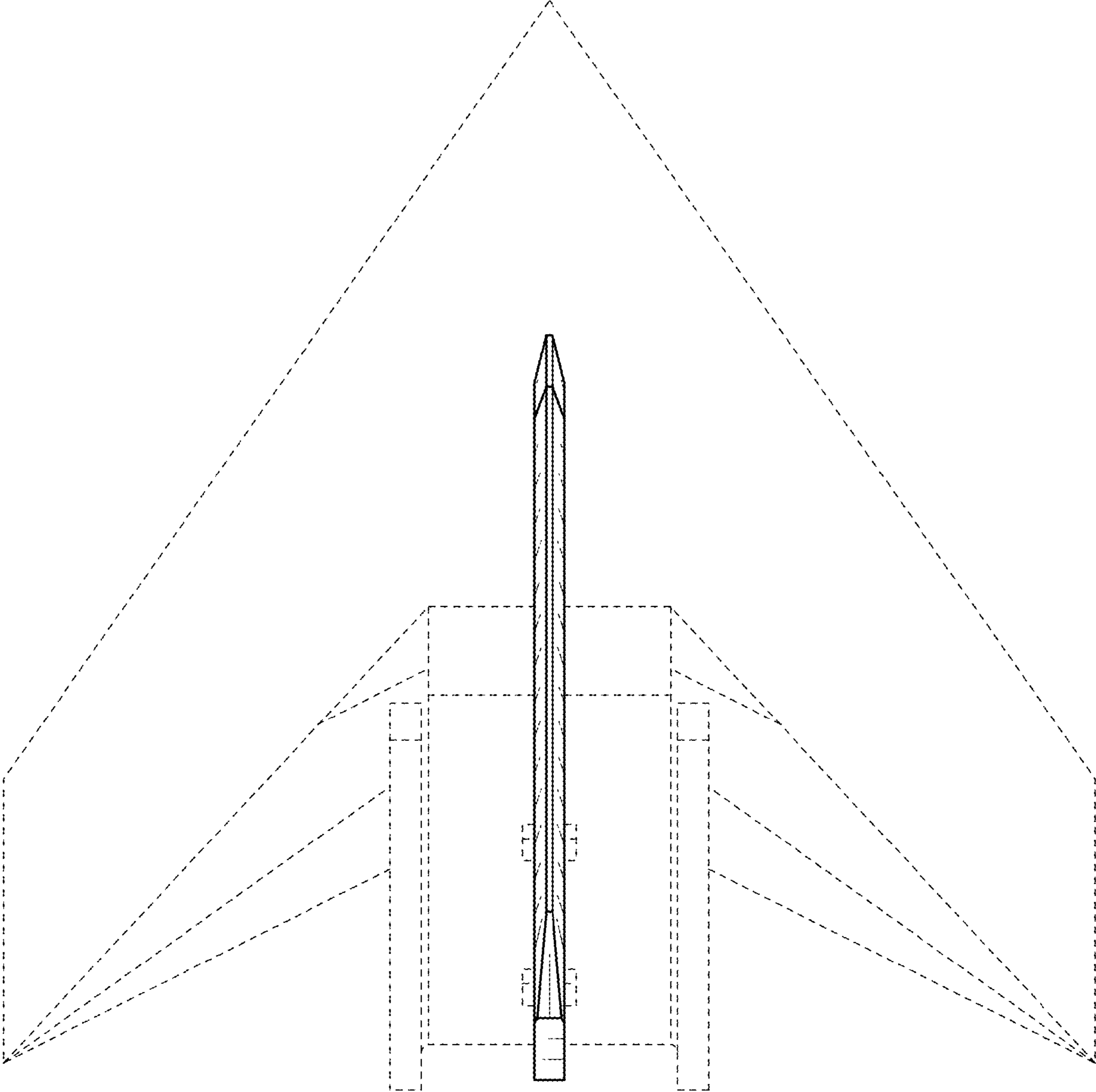


FIG. 7