

US00D967198S

(12) **United States Design Patent** (10) **Patent No.:** **US D967,198 S**  
**Chen** (45) **Date of Patent:** **\*\* Oct. 18, 2022**

(54) **WATER PUMP**  
(71) Applicant: **BEST XIN ZHONGSHAN TECHNOLOGY CO., LTD,**  
Zhongshan (CN)  
(72) Inventor: **Meining Chen,** Qinzhou (CN)  
(73) Assignee: **BEST XIN ZHONGSHAN TECHNOLOGY CO., LTD,**  
Zhongshan (CN)

D709,183 S \* 7/2014 Kemlein ..... D24/111  
D723,587 S \* 3/2015 Park ..... D15/7  
D744,005 S \* 11/2015 Anderson ..... D15/7  
D745,142 S \* 12/2015 O'Connor ..... D24/111  
D746,975 S \* 1/2016 Schenck ..... D24/111  
D751,200 S \* 3/2016 LaRose ..... D24/155  
D768,289 S \* 10/2016 Hyde ..... D24/111  
D777,007 S \* 1/2017 Park ..... D8/107  
D777,906 S \* 1/2017 Anderson ..... D24/111

(Continued)

**FOREIGN PATENT DOCUMENTS**

JP 2012-225188 11/2012

**OTHER PUBLICATIONS**

Sinotech, FX801 Plastic Materials Battery Powered Fuel Liquid Transfer Pump, (site visited Jul. 27, 2022), Alibaba.com, URL:<[https://www.alibaba.com/product-detail/Sinotech-FX801-Plastic-materials-Battery-Powered\\_1600357852035.html](https://www.alibaba.com/product-detail/Sinotech-FX801-Plastic-materials-Battery-Powered_1600357852035.html) (Year: 2022).\*

(Continued)

*Primary Examiner* — Calvin E Vansant  
*Assistant Examiner* — Mark T. Philipps

(57) **CLAIM**

The ornamental design for a water pump, as shown and described.

**DESCRIPTION**

FIG. 1 is a perspective view of a water pump showing my new design;  
FIG. 2 is another perspective view thereof;  
FIG. 3 is a front elevational view thereof;  
FIG. 4 is a rear elevational view thereof;  
FIG. 5 is a left side elevational view thereof;  
FIG. 6 is a right side elevational view thereof;  
FIG. 7 is a top plan view thereof; and,  
FIG. 8 is a bottom plan view thereof.

The broken lines in the drawings depict portions of the water pump that form no part of the claimed design.

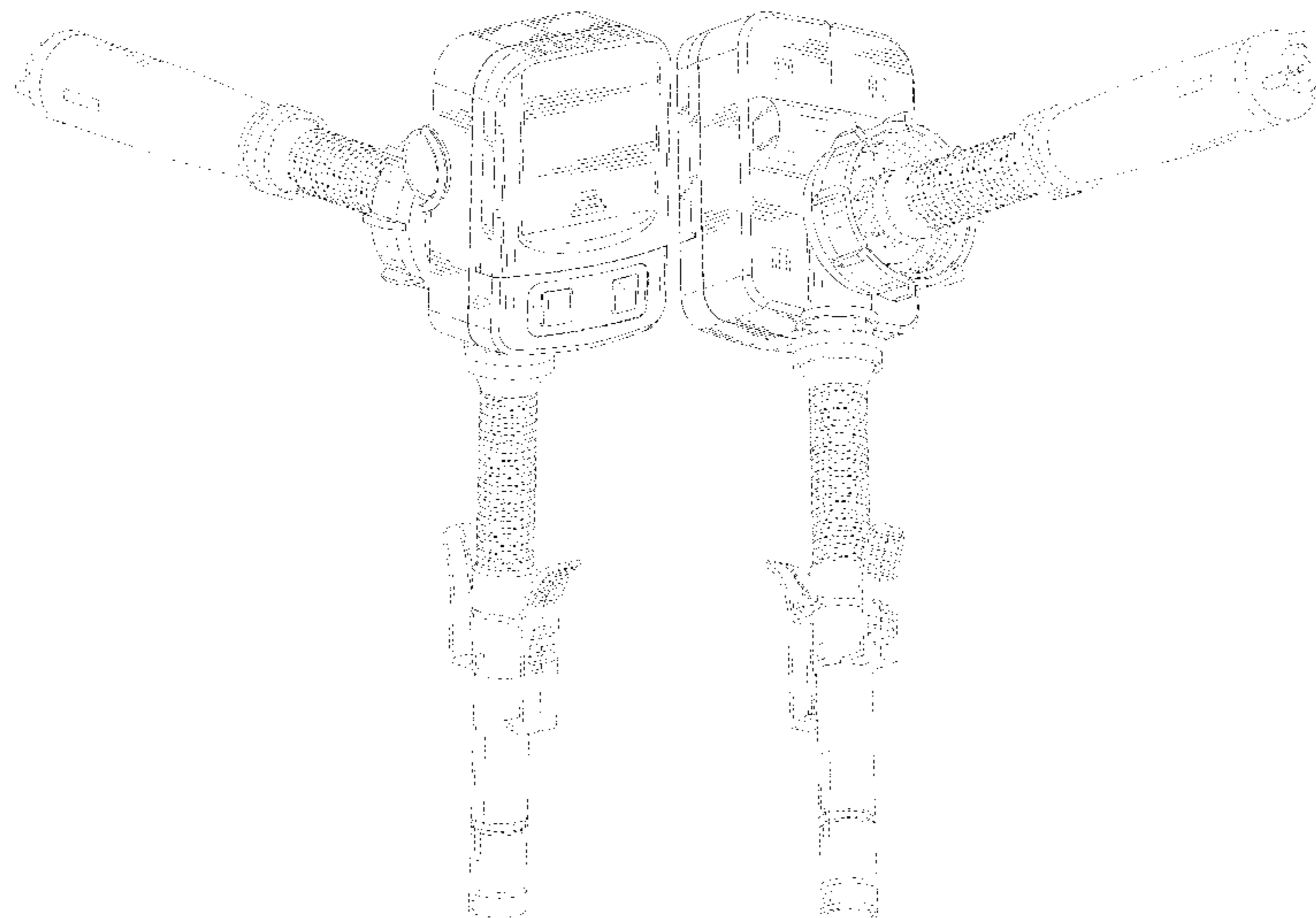
**1 Claim, 8 Drawing Sheets**

(\*\*) Term: **15 Years**  
(21) Appl. No.: **29/806,680**  
(22) Filed: **Sep. 6, 2021**  
(51) **LOC (13) Cl.** ..... **15-02**  
(52) **U.S. Cl.**  
USPC ..... **D15/7; D15/9.1**  
(58) **Field of Classification Search**  
USPC ..... D15/7, 9, 143, 148–149, 199;  
D23/212–213, 223–225, 231–233, 228,  
D23/235; D14/165, 479, 499, 507;  
D10/85; D24/108, 169, 186  
CPC ..... F15B 15/16; F15B 15/26; F15B 15/1414;  
F15B 15/1919; F15B 15/14; F15B 15/00;  
F15B 15/08; F15B 15/18; F15B 15/20;  
F02M 37/04; F04D 29/4286  
See application file for complete search history.

(56) **References Cited**

**U.S. PATENT DOCUMENTS**

D280,823 S \* 10/1985 Maruyama ..... D15/7  
D295,522 S \* 5/1988 Martin ..... D15/7  
D316,865 S \* 5/1991 Armstrong ..... D15/7  
D418,522 S \* 1/2000 Angel ..... D15/7  
D461,891 S \* 8/2002 Moberg ..... D24/111  
D490,563 S \* 5/2004 Angeletta ..... D28/7  
D614,587 S \* 4/2010 Yodfat ..... D13/168  
D648,353 S \* 11/2011 Mattson ..... D15/7  
D659,717 S \* 5/2012 Mattson ..... D15/7  
D697,204 S \* 1/2014 Maier ..... D24/111



(56)

**References Cited**

U.S. PATENT DOCUMENTS

D800,176 S \* 10/2017 Soto ..... D15/7  
 D803,892 S \* 11/2017 Timmer ..... D15/7  
 D807,923 S \* 1/2018 Anderson ..... D15/7  
 D813,376 S \* 3/2018 Peret ..... D24/111  
 D848,487 S \* 5/2019 van Opdorp ..... D15/7  
 D852,058 S \* 6/2019 Silva ..... D9/687  
 D886,986 S \* 6/2020 Clemente ..... D24/111  
 D903,094 S \* 11/2020 Ghodsi ..... D15/7  
 D920,385 S 5/2021 Salim  
 D921,190 S \* 6/2021 Shor ..... D24/111  
 D934,918 S \* 11/2021 Larsen ..... D15/7  
 D939,079 S \* 12/2021 Harris ..... D24/111  
 D939,692 S \* 12/2021 Sun ..... D24/111  
 D946,628 S 3/2022 Wei  
 D946,749 S \* 3/2022 Smith ..... D24/111  
 2019/0308868 A1 \* 10/2019 Graef ..... B67D 7/56

OTHER PUBLICATIONS

Tera Pump, No more back lifting Heavy Gas Can/ Battery (4AA) Power Fuel Transfer Pump w/ Non-Spill Auto-Stop Nozzle and Flexible Intake Hose, (date first available Jan. 16, 2015), Amazon.com, URL: (Date retrieved: Jul. 14, 2022).  
 Mr. Gasket, Mr. Gasket Fuel Transfer Pump Battery Operated,( dated first available Dec. 14, 2018), Amazon .com, URL: (Date retrieved: Jul. 14, 2022).  
 Deway, Automatic Fuel Transfer Pump with Auto-Stop, AA Battery Powered, (dated first available Mar. 1, 2021), Amazon.com, URL : (Date retrieved: Jul. 14, 2022).

\* cited by examiner

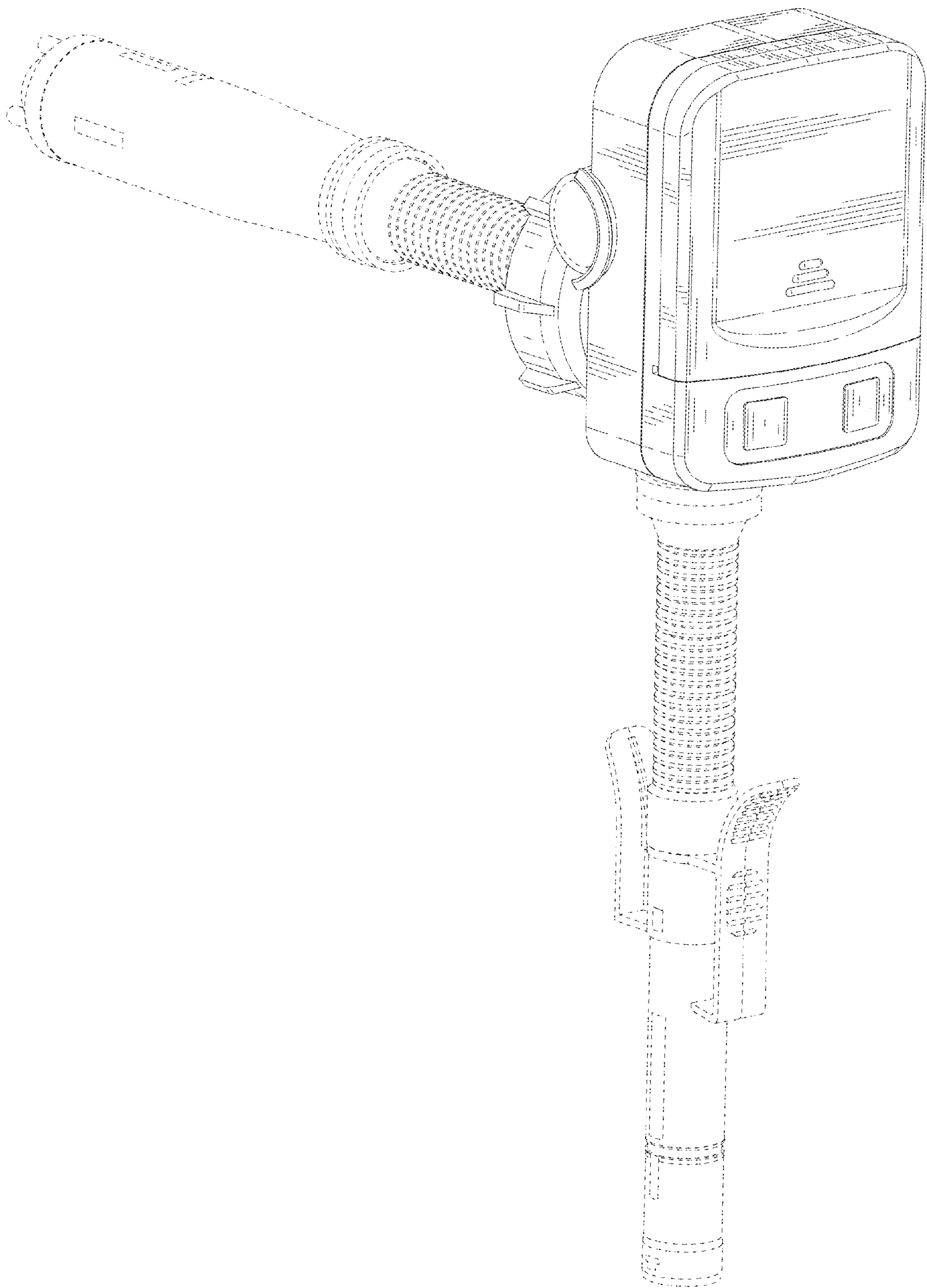


FIG. 1

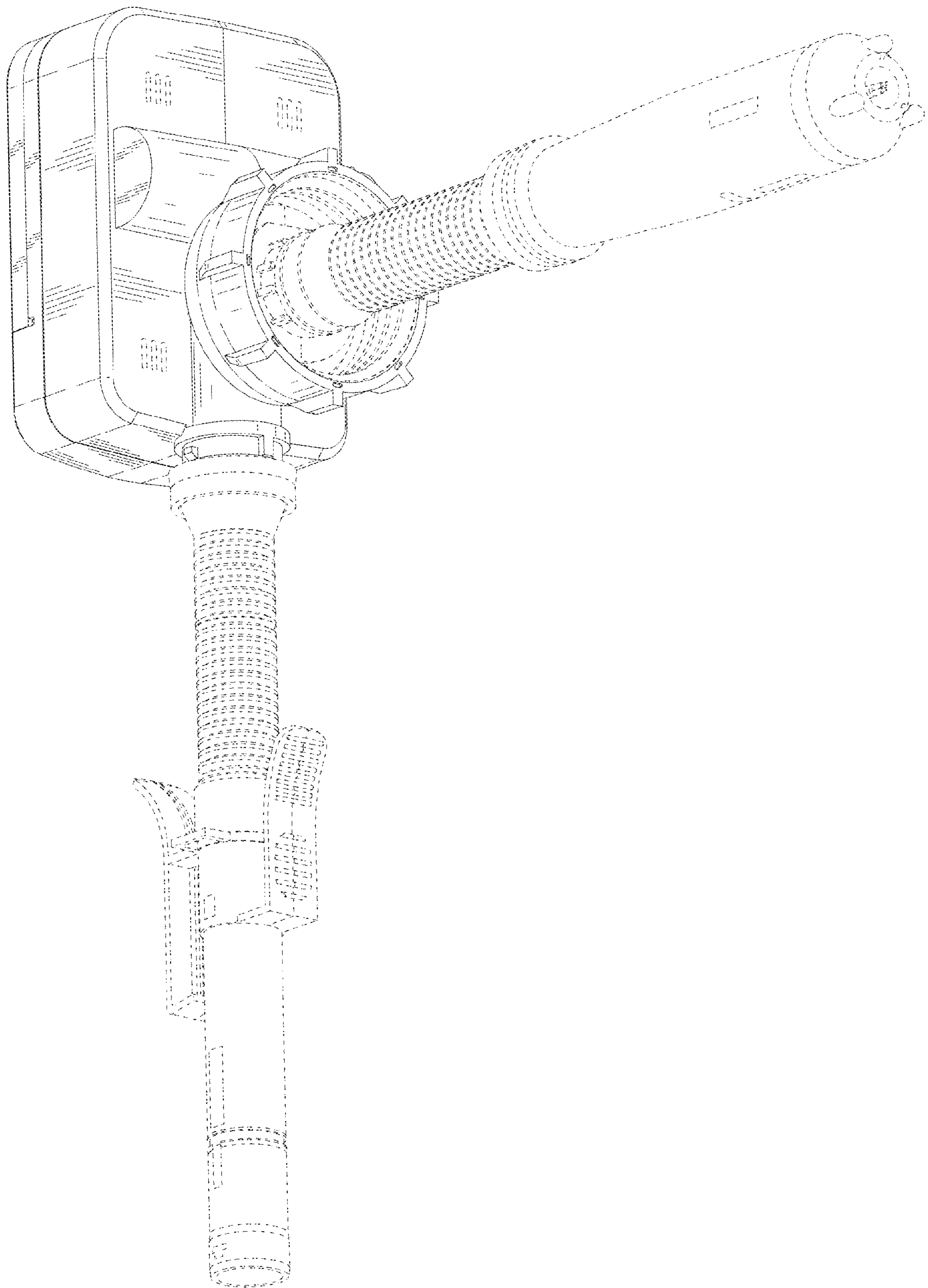


FIG. 2

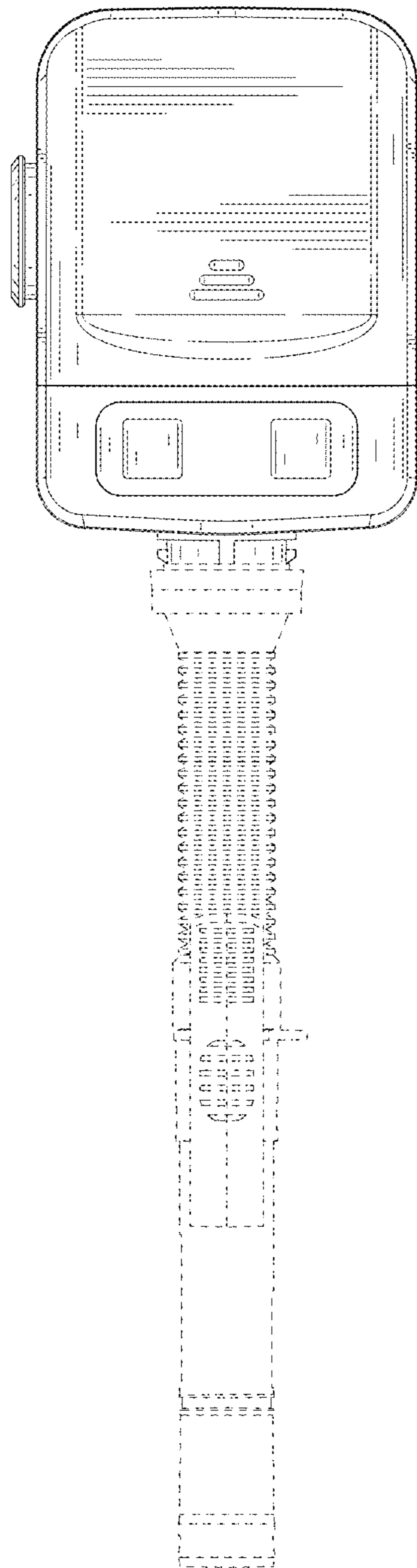


FIG. 3

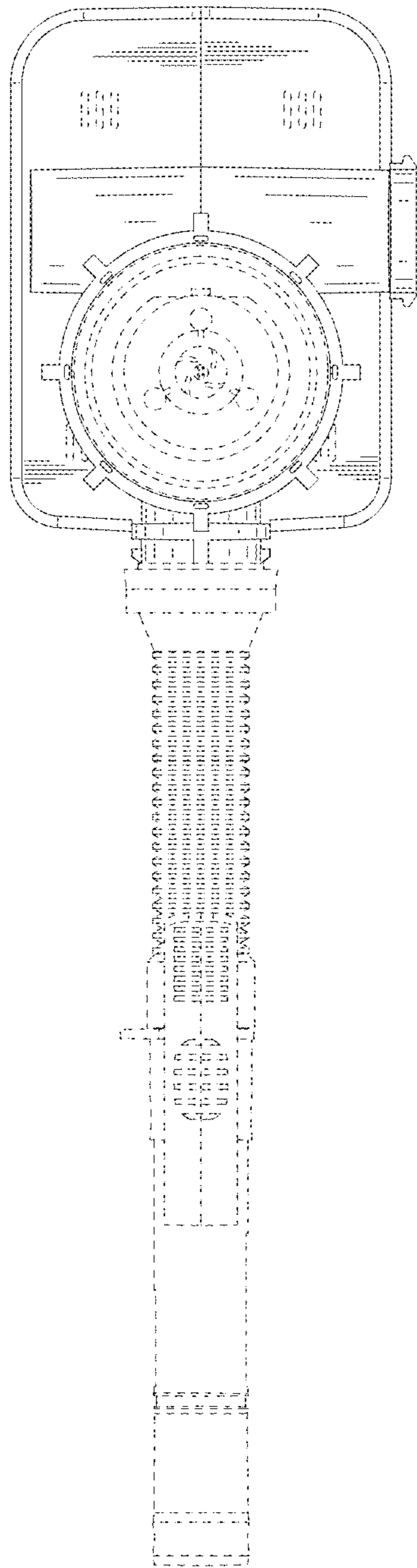


FIG. 4

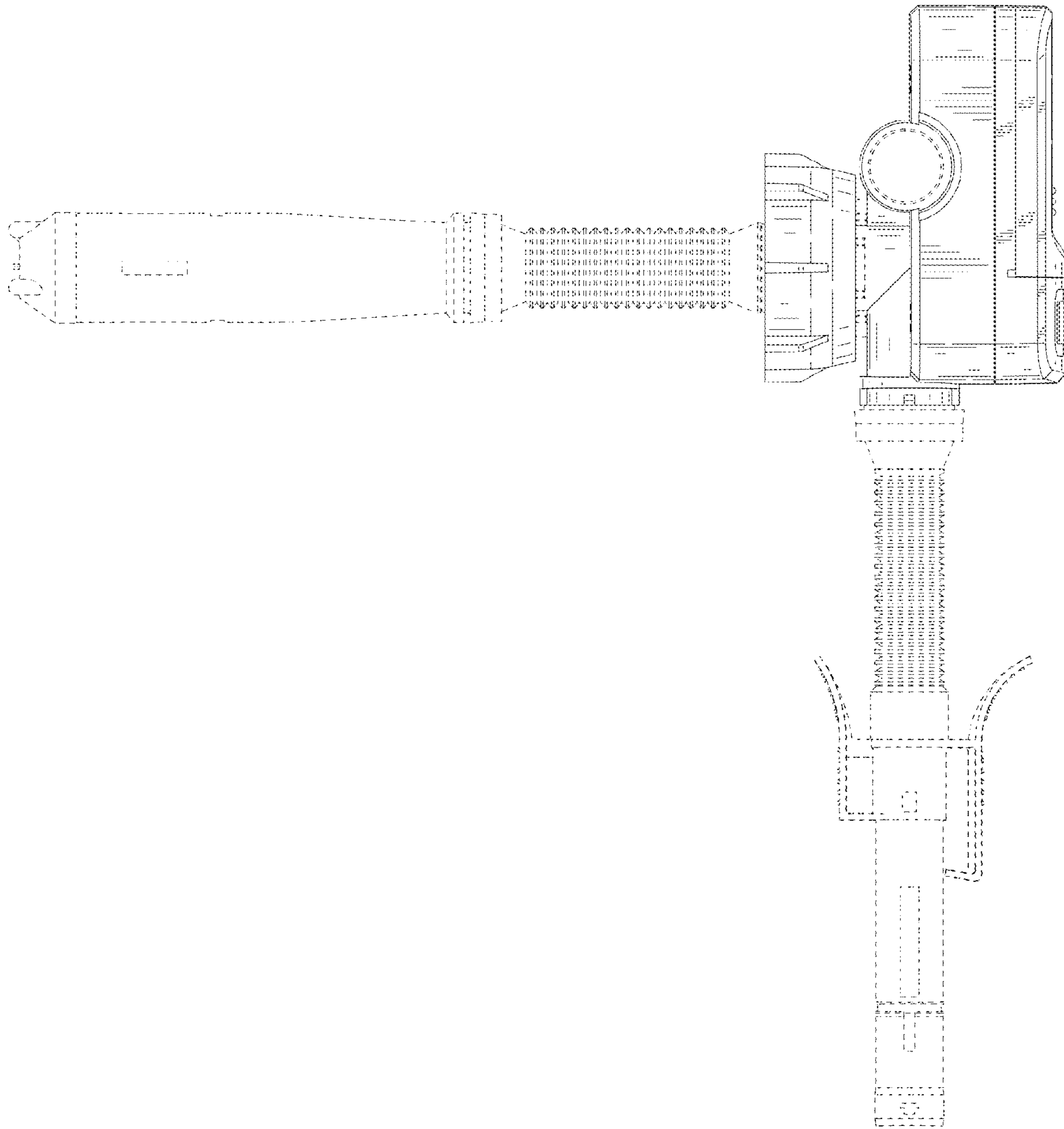


FIG. 5

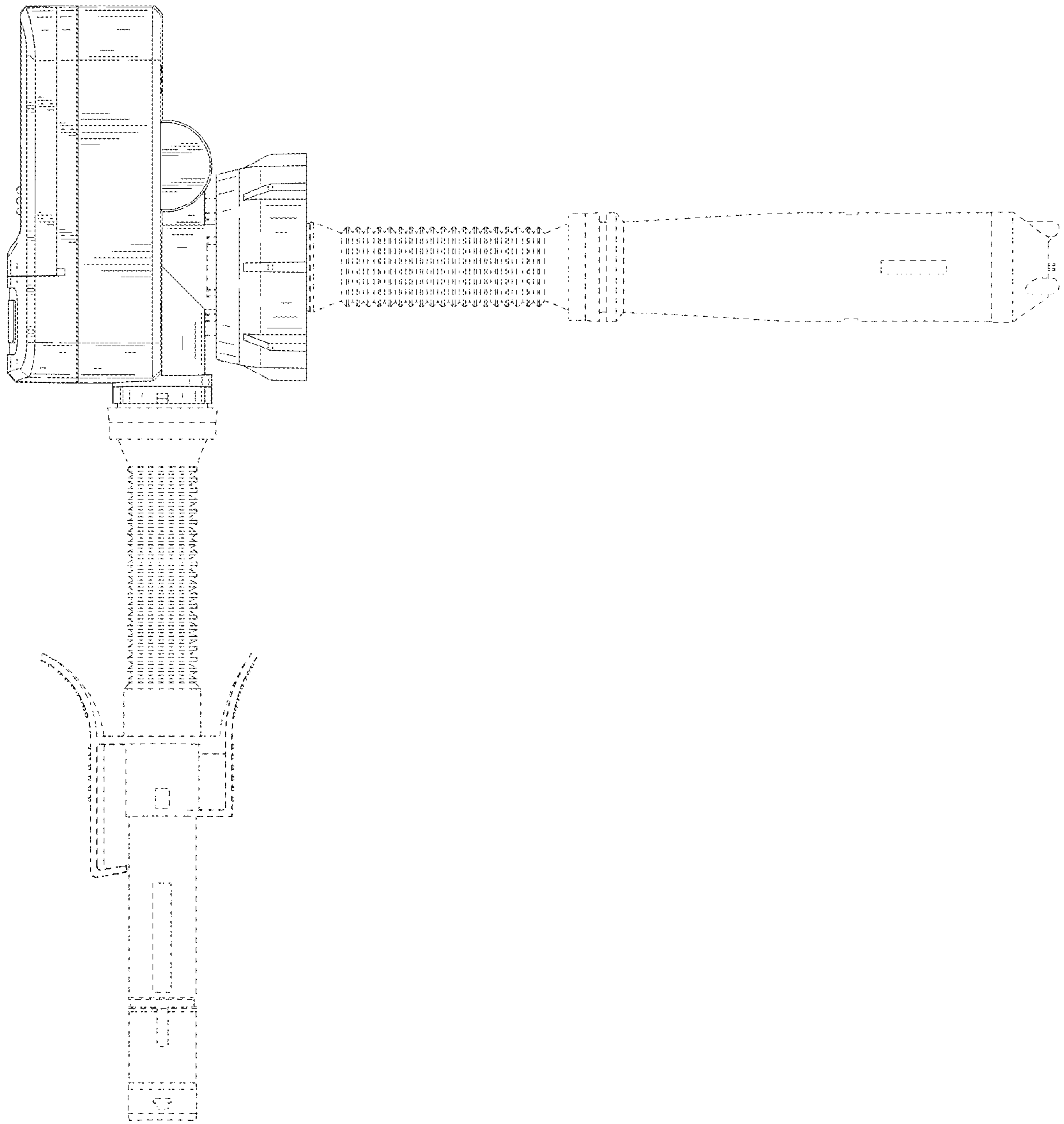


FIG. 6



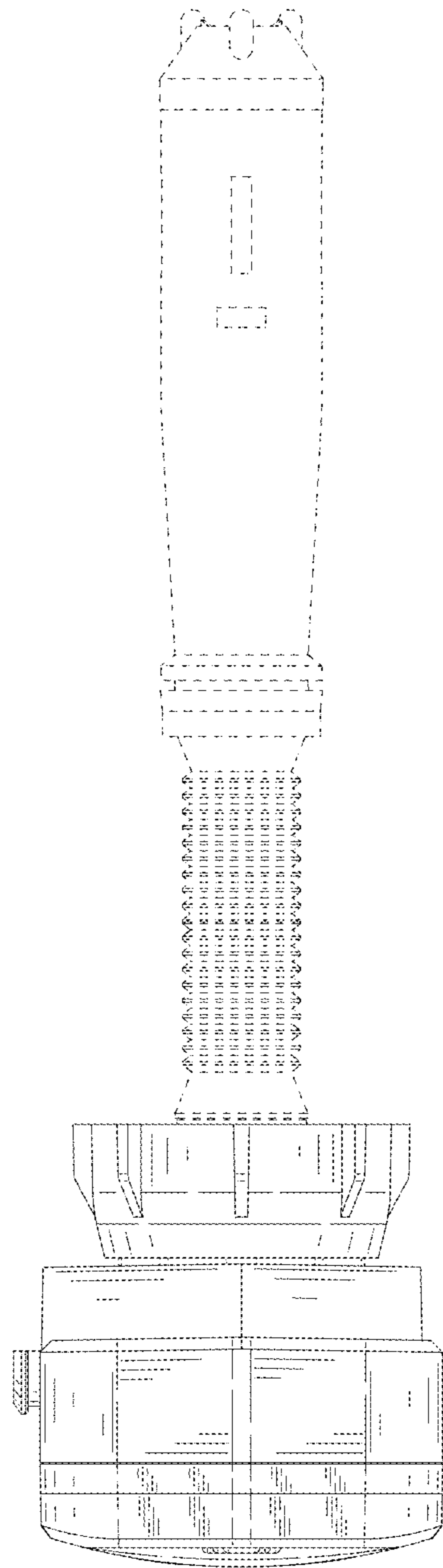


FIG. 7

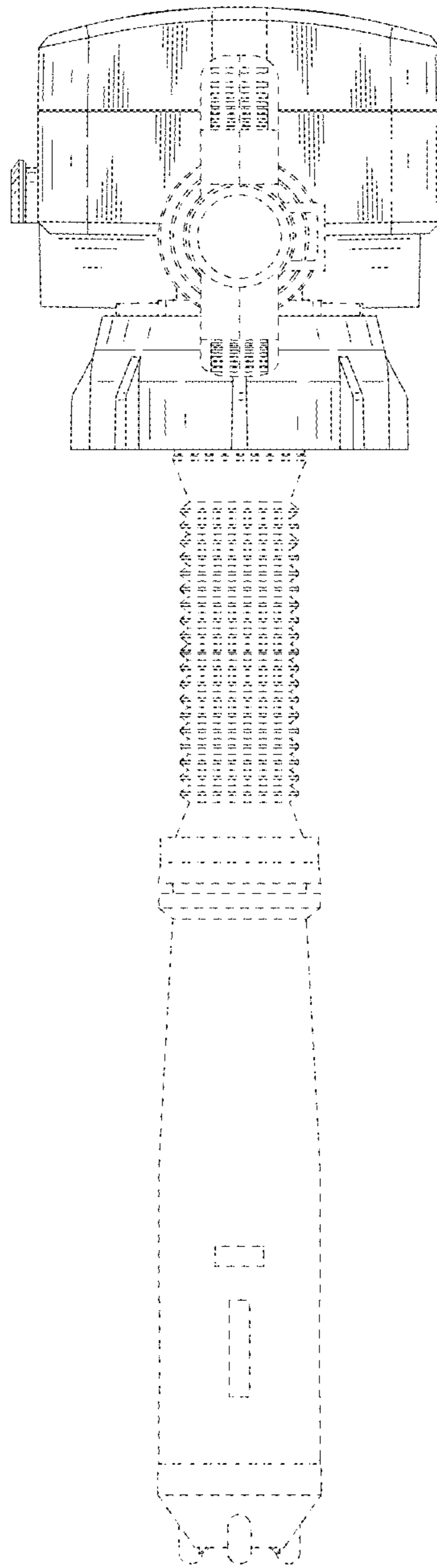


FIG. 8