

US00D967197S

(12) **United States Design Patent** (10) **Patent No.:** **US D967,197 S**  
**Nishida et al.** (45) **Date of Patent:** **\*\* Oct. 18, 2022**

(54) **ROTARY PUMP**

(74) *Attorney, Agent, or Firm* — Sughrue Mion, PLLC

(71) Applicant: **TAIHO KOGYO CO., LTD.**, Toyota (JP)

(57) **CLAIM**

The ornamental design for a rotary pump, as shown and described.

(72) Inventors: **Syuhei Nishida**, Toyota (JP); **Satoshi Ikeda**, Toyota (JP); **Kazuya Mizuno**, Toyota (JP); **Ken Nakamuta**, Toyota (JP)

**DESCRIPTION**

(73) Assignee: **TAIHO KOGYO CO., LTD.**, Toyota (JP)

(\*\*) Term: **15 Years**

(21) Appl. No.: **29/699,057**

(22) Filed: **Jul. 23, 2019**

FIG. 1 is a perspective view showing a first embodiment of the rotary pump in use;  
FIG. 2 is a front view thereof;  
FIG. 3 is a rear view thereof;  
FIG. 4 is a left side view thereof;  
FIG. 5 is a right side view thereof;  
FIG. 6 is a top plan view thereof;  
FIG. 7 is a bottom plan view thereof;  
FIG. 8 is a reference perspective view thereof;  
FIG. 9 is a perspective view showing a second embodiment of the rotary pump in use;  
FIG. 10 is a front view thereof;  
FIG. 11 is a rear view thereof;  
FIG. 12 is a left side view thereof;  
FIG. 13 is a right side view thereof;  
FIG. 14 is a top plan view thereof;  
FIG. 15 is a bottom plan view thereof;  
FIG. 16 is a reference perspective view thereof;  
FIG. 17 is a perspective view showing a third embodiment of the rotary pump in use;  
FIG. 18 is a front view thereof;  
FIG. 19 is a rear view thereof;  
FIG. 20 is a left side view thereof;  
FIG. 21 is a right side view thereof;  
FIG. 22 is a top plan view thereof;  
FIG. 23 is a bottom plan view thereof; and,  
FIG. 24 is a reference perspective view thereof.

**Related U.S. Application Data**

(62) Division of application No. 29/599,024, filed on Mar. 30, 2017, now Pat. No. Des. 875,141.

(30) **Foreign Application Priority Data**

Sep. 30, 2016 (JP) ..... 2016-021345  
Sep. 30, 2016 (JP) ..... 2016-021346  
(Continued)

(51) **LOC (13) Cl.** ..... **15-03**

(52) **U.S. Cl.**  
USPC ..... **D15/7**

(58) **Field of Classification Search**  
USPC ..... D15/7-9; D23/225, 231, 232  
(Continued)

(56) **References Cited**

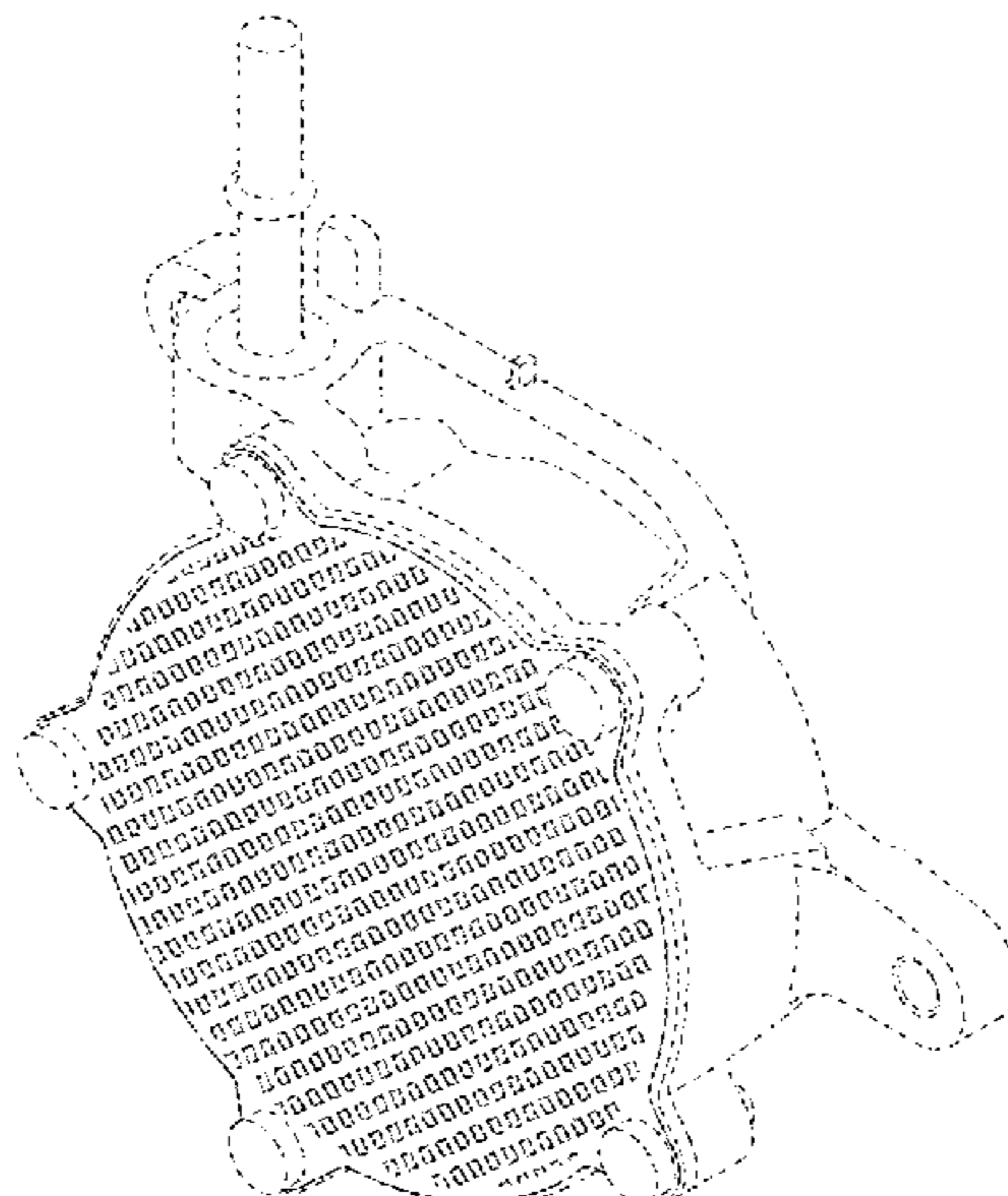
**U.S. PATENT DOCUMENTS**

D832,888 S \* 11/2018 Nishida ..... D15/7  
D842,904 S \* 3/2019 Geldenhuys ..... D15/7  
(Continued)

*Primary Examiner* — Khawaja Anwar

The broken lines in the drawings are intended to show portions of the rotary pump that are not being claimed, and thus form no part of the claimed design. Alternate long and short dashed lines are intended to show a border between a portion that is claimed and a portion that is not claimed. Areas inside rectangles shown in the front view and the perspective view of the first embodiment are slightly recessed. Areas inside circles shown in the perspective view of the second embodiment are slightly recessed. Areas inside

(Continued)



rectangles shown in the perspective view of the third embodiment are slightly recessed.

**1 Claim, 13 Drawing Sheets**

**(30) Foreign Application Priority Data**

Feb. 13, 2017 (JP) ..... 2017-002671  
Feb. 13, 2017 (JP) ..... 2017-002672  
Feb. 13, 2017 (JP) ..... 2017-002673  
Feb. 13, 2017 (JP) ..... 2017-002674  
Feb. 13, 2017 (JP) ..... 2017-002675

**(58) Field of Classification Search**

CPC ..... F02M 37/04; F02M 37/14  
See application file for complete search history.

**(56) References Cited**

U.S. PATENT DOCUMENTS

D846,001 S \* 4/2019 Lagas ..... D15/7  
D857,061 S \* 8/2019 Huang ..... D15/7  
D858,582 S \* 9/2019 Shibasaki ..... D15/7  
D875,141 S \* 2/2020 Nishida ..... D15/7  
D934,917 S \* 11/2021 Butcher ..... D15/7

\* cited by examiner

FIG. 1

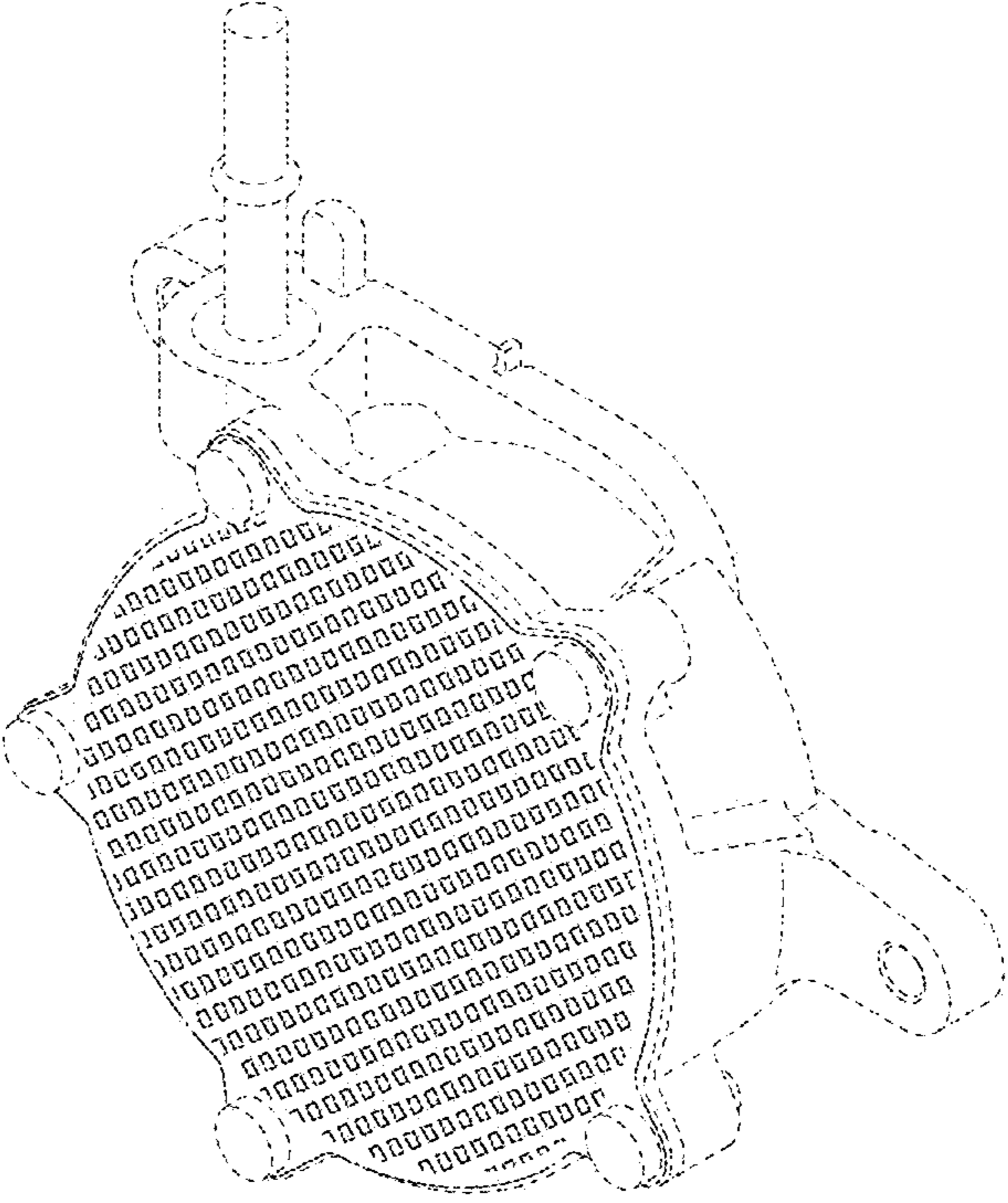


FIG. 2

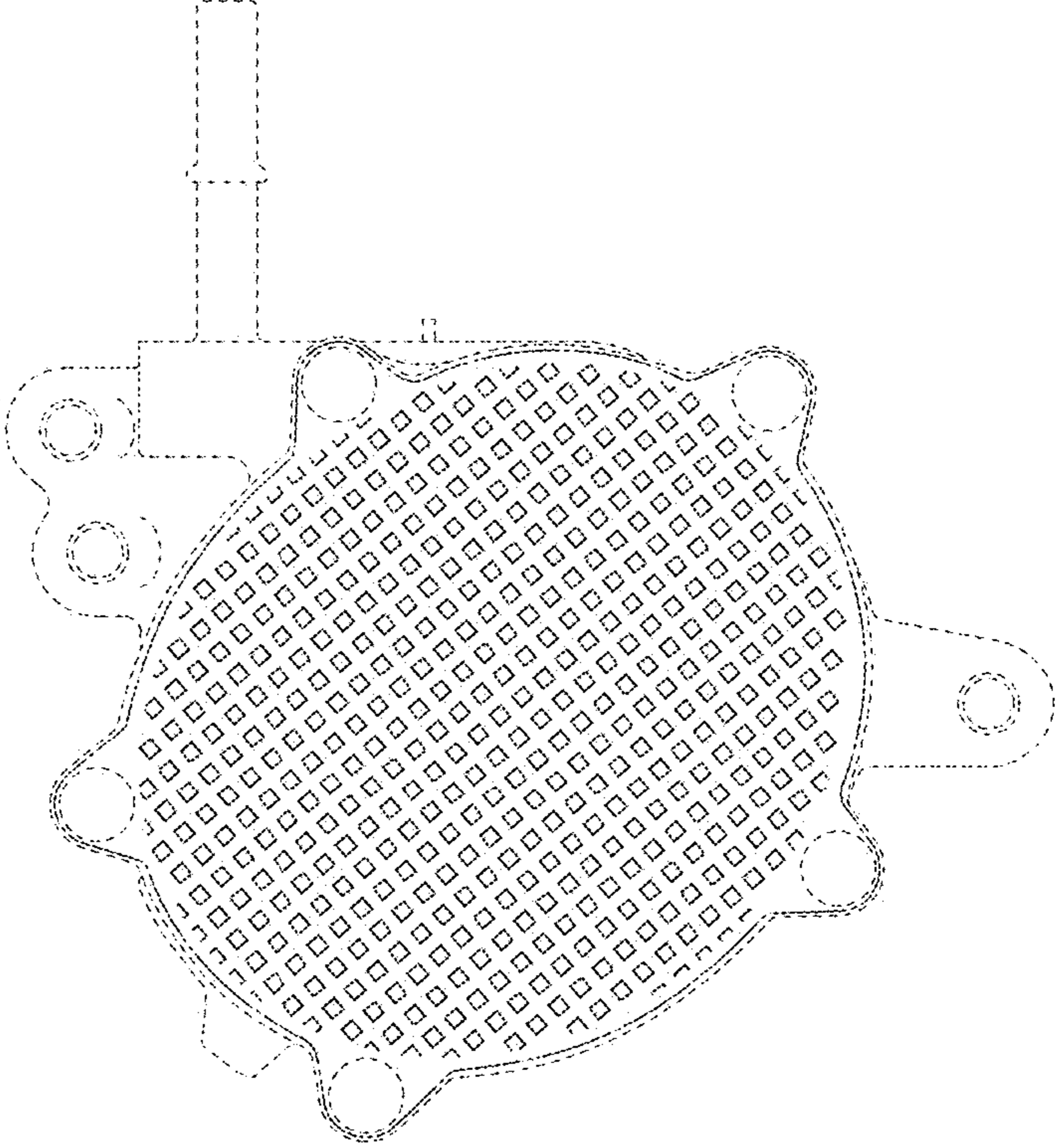


FIG. 3

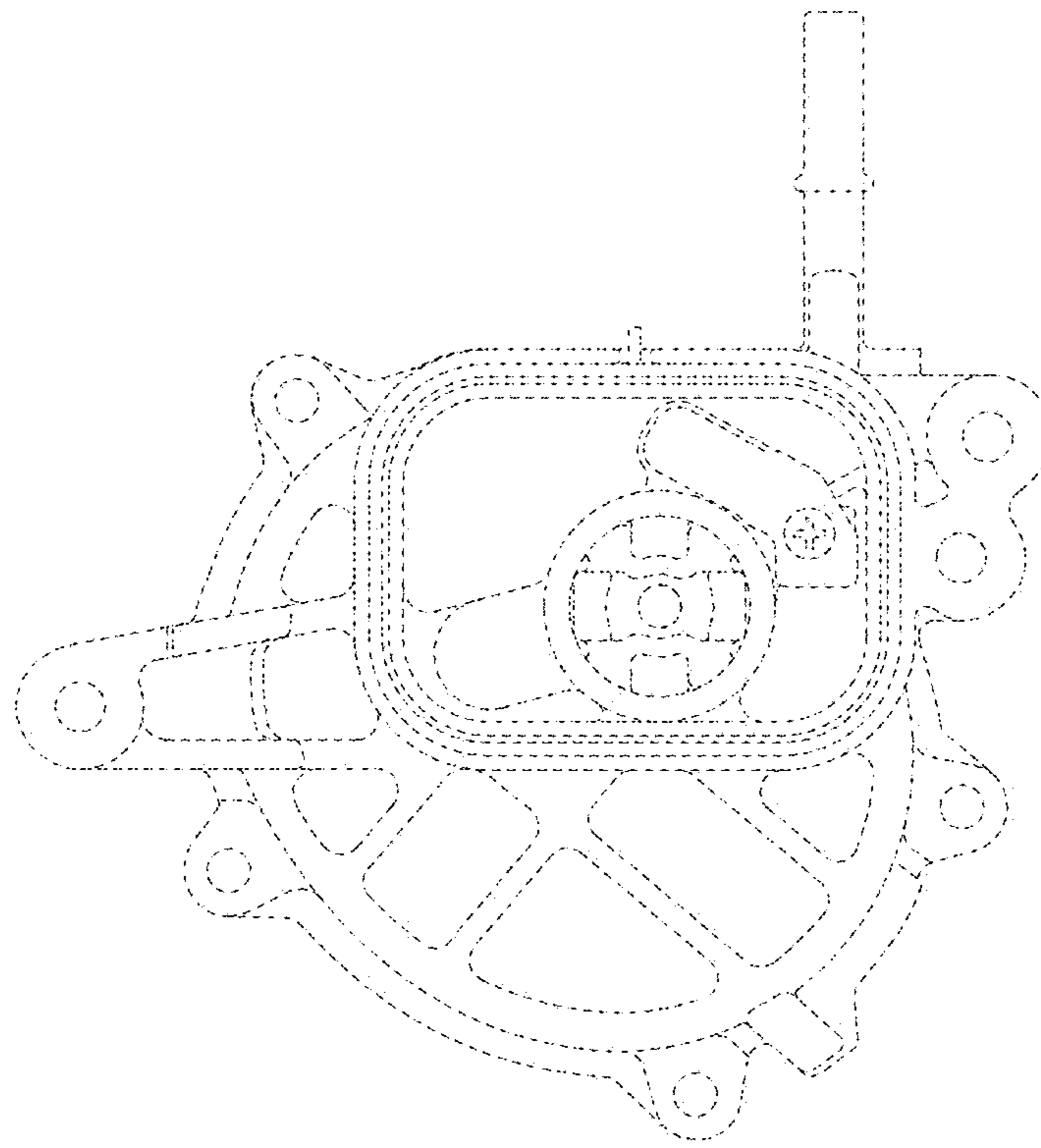


FIG. 4

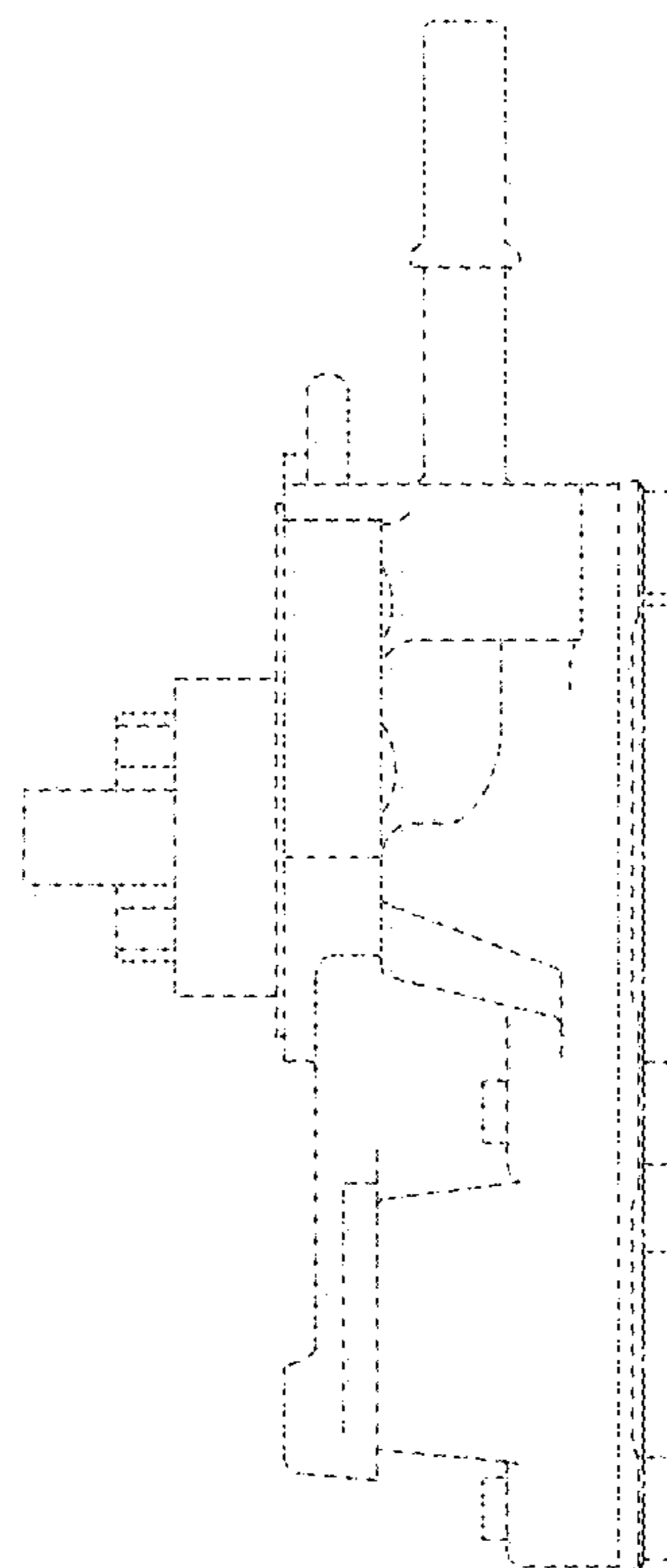


FIG. 5

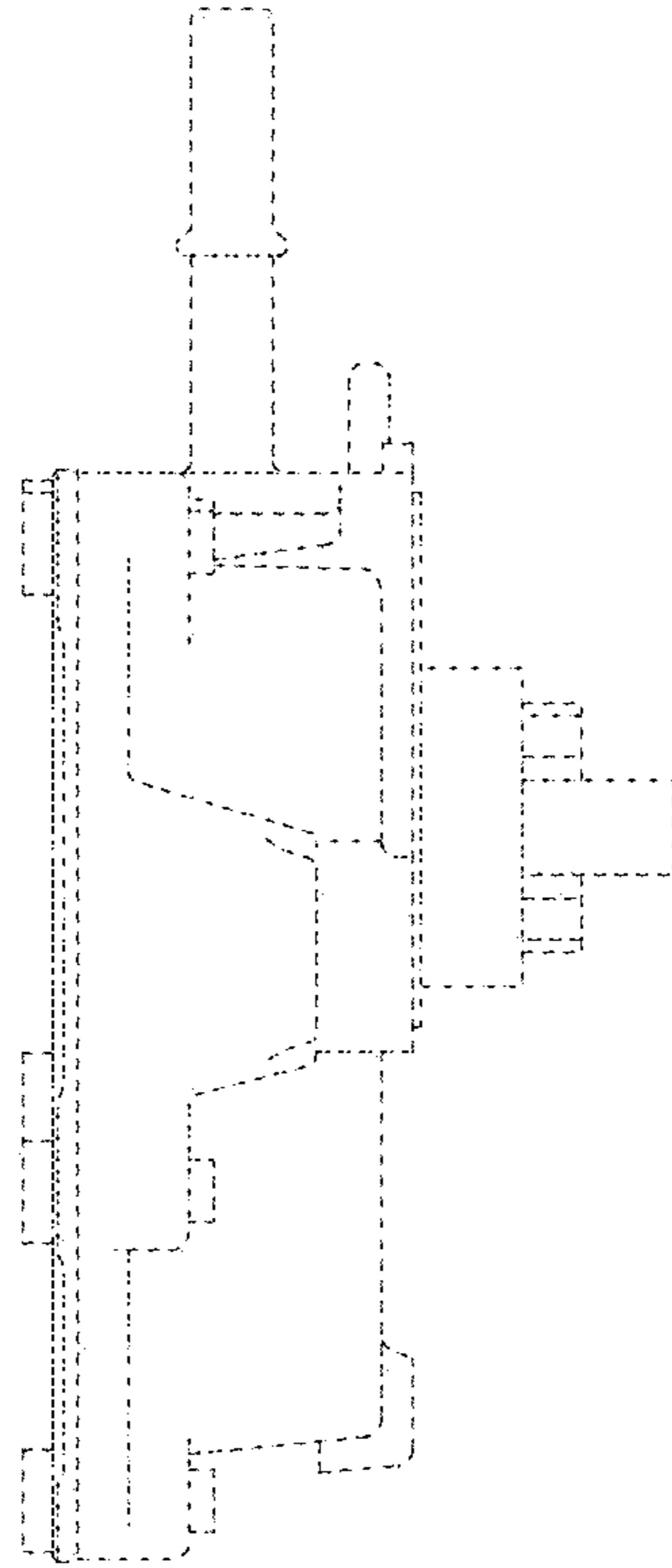


FIG. 6

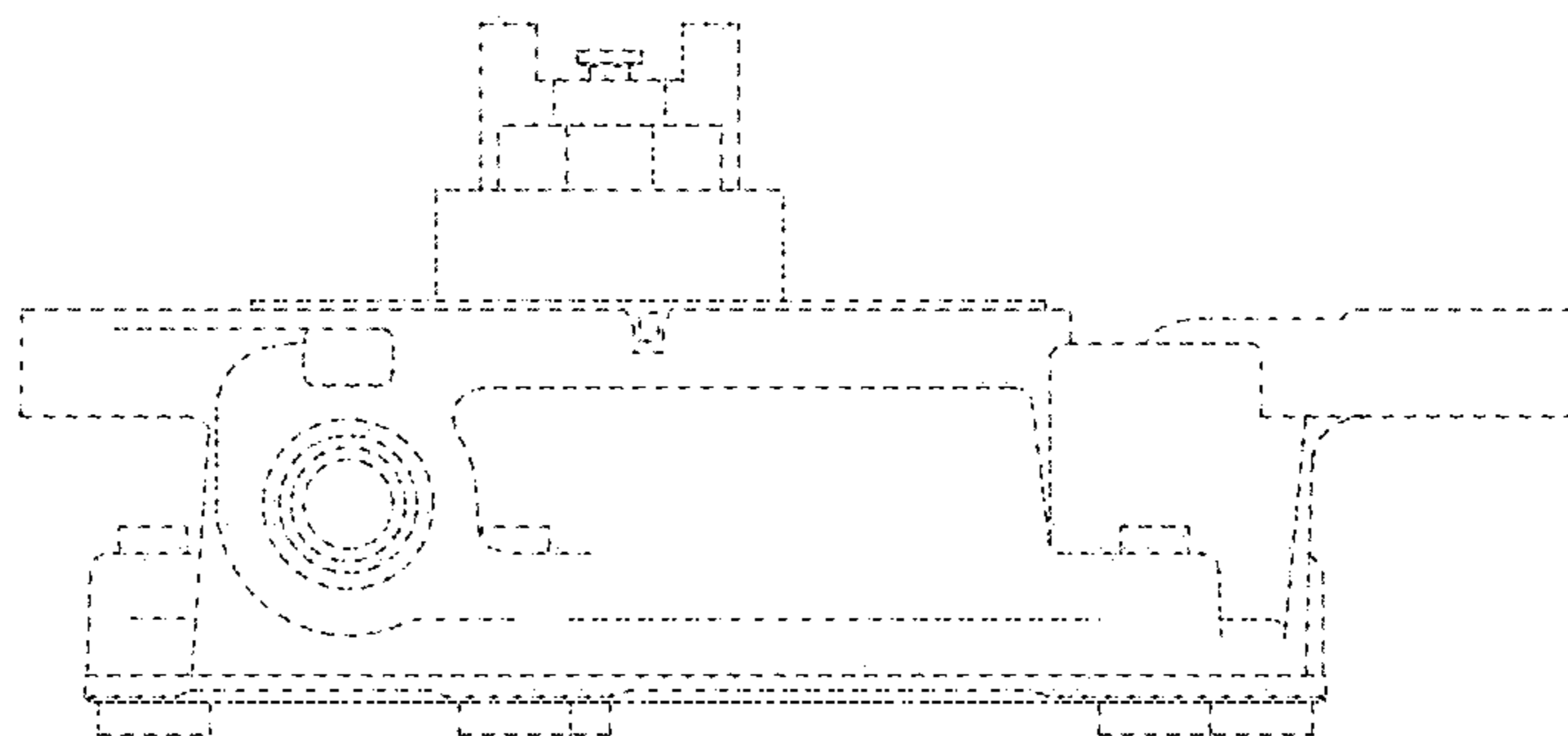


FIG. 7

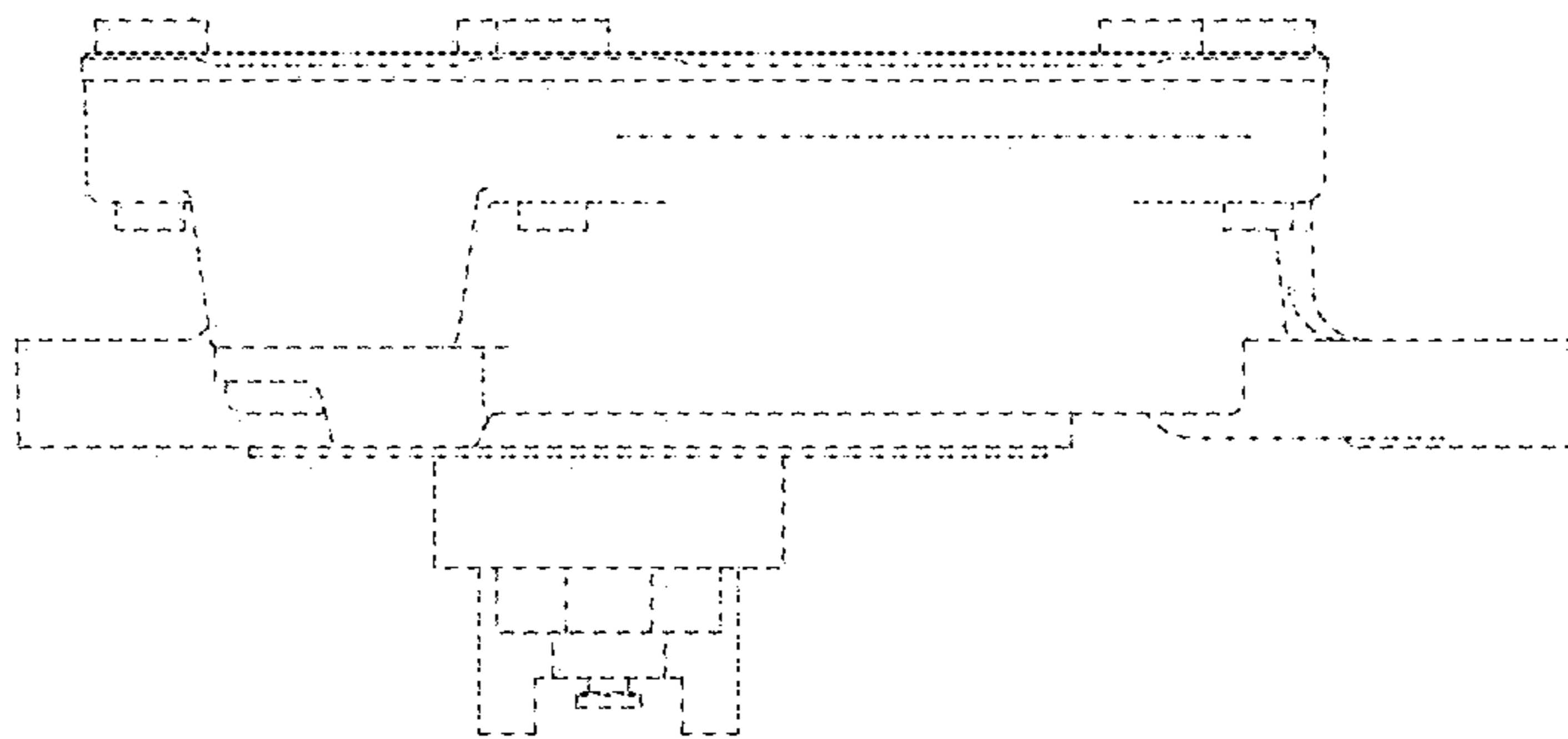


FIG. 8

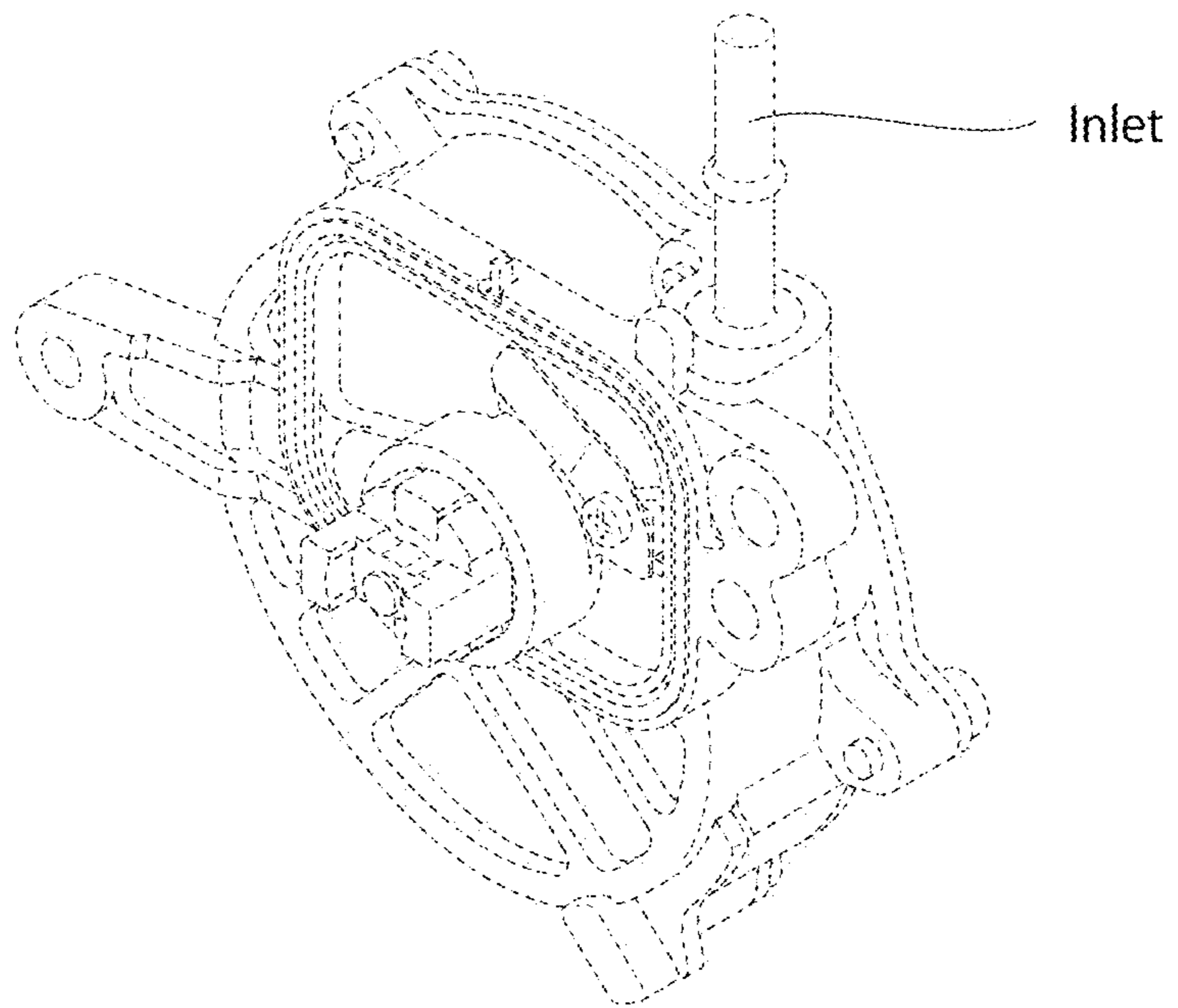


FIG. 9

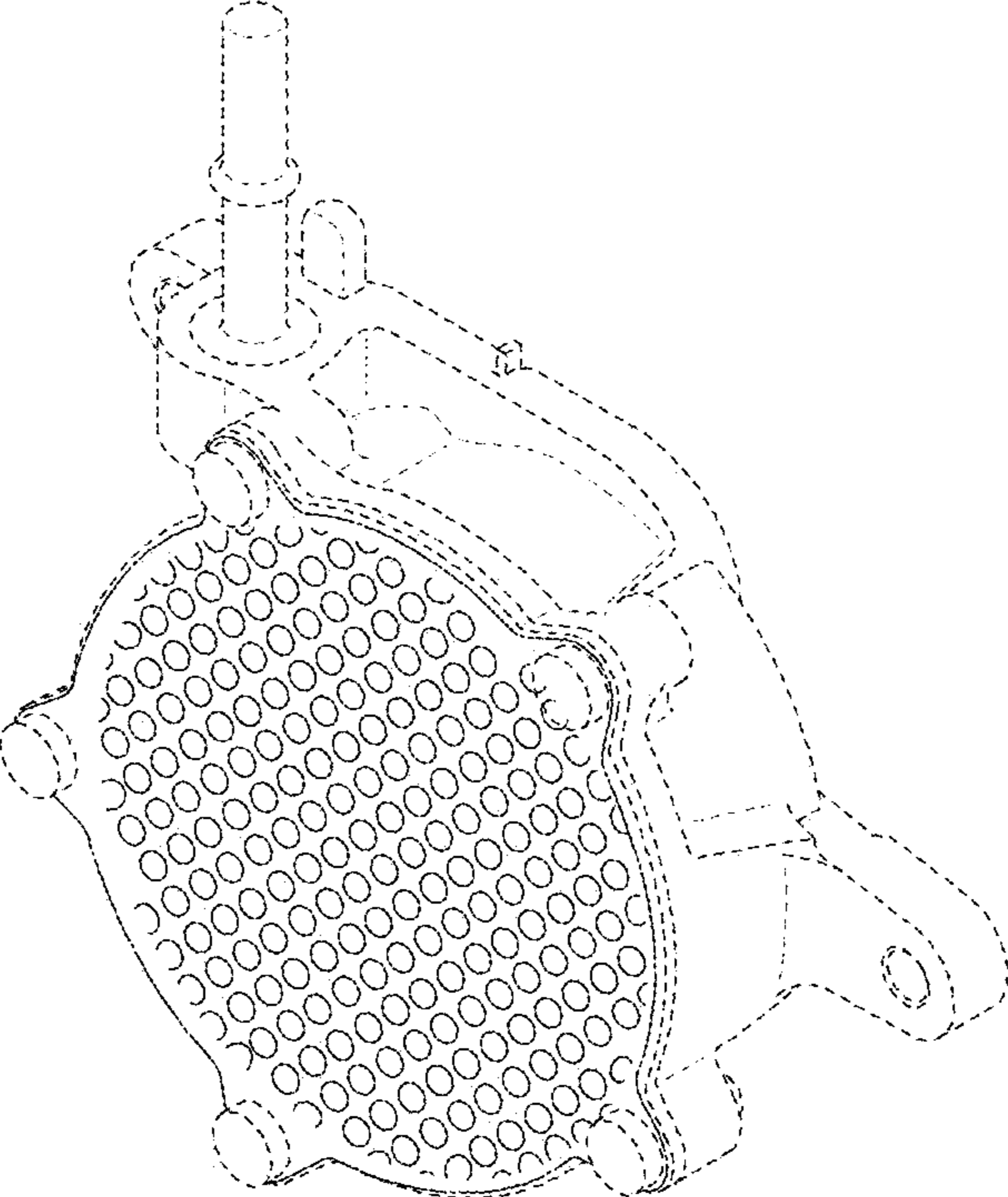


FIG. 10

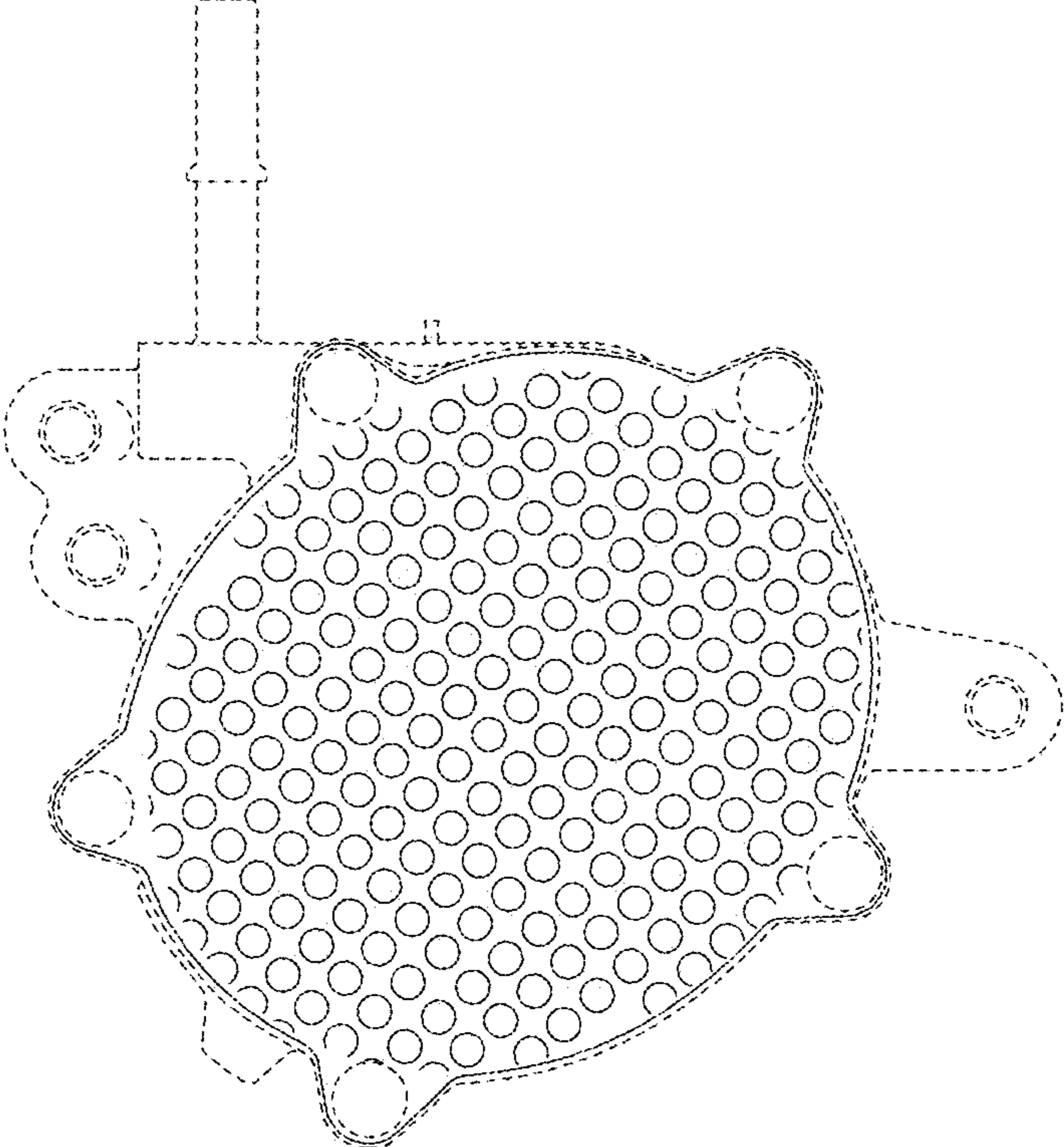




FIG. 11

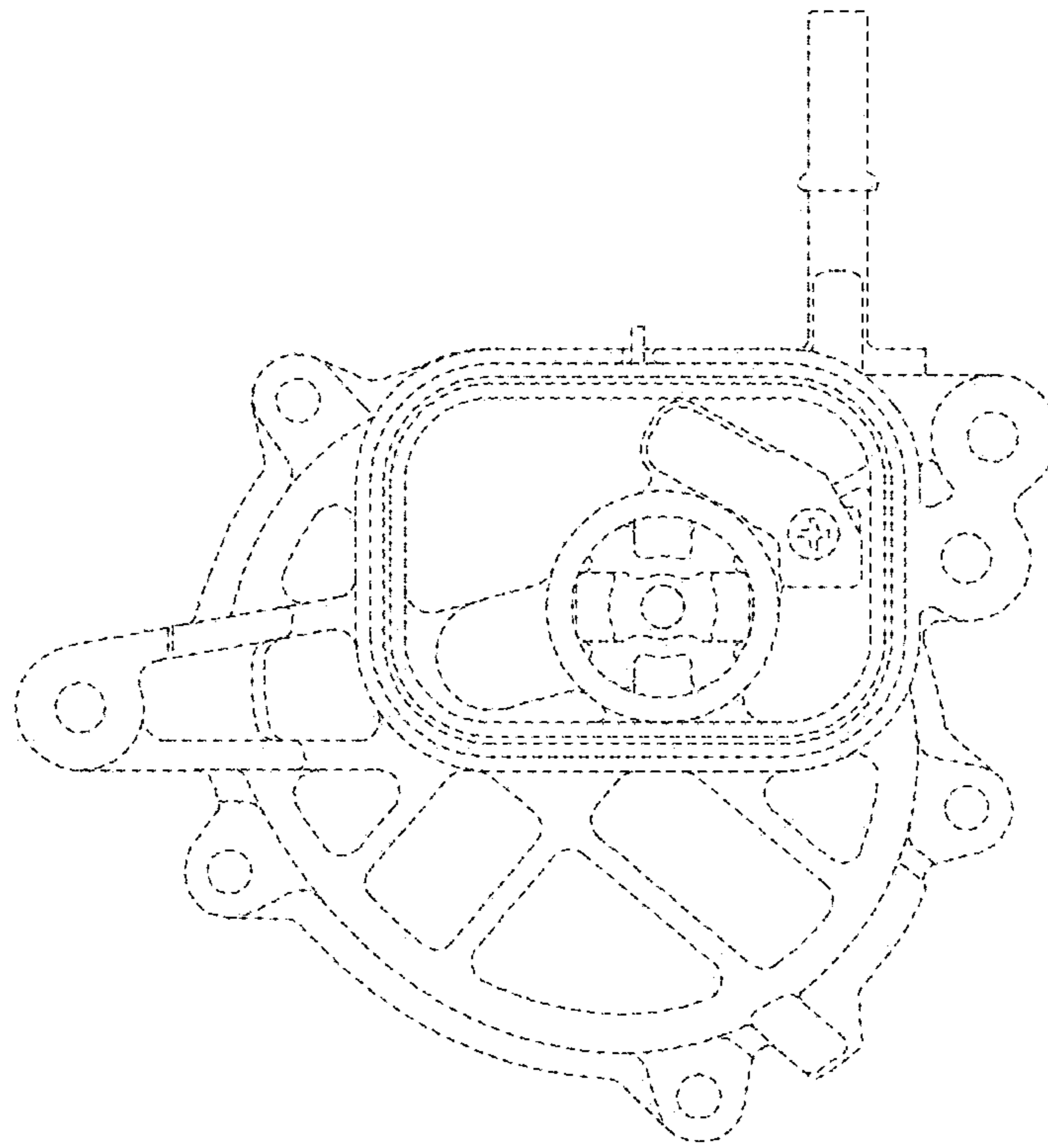


FIG. 12

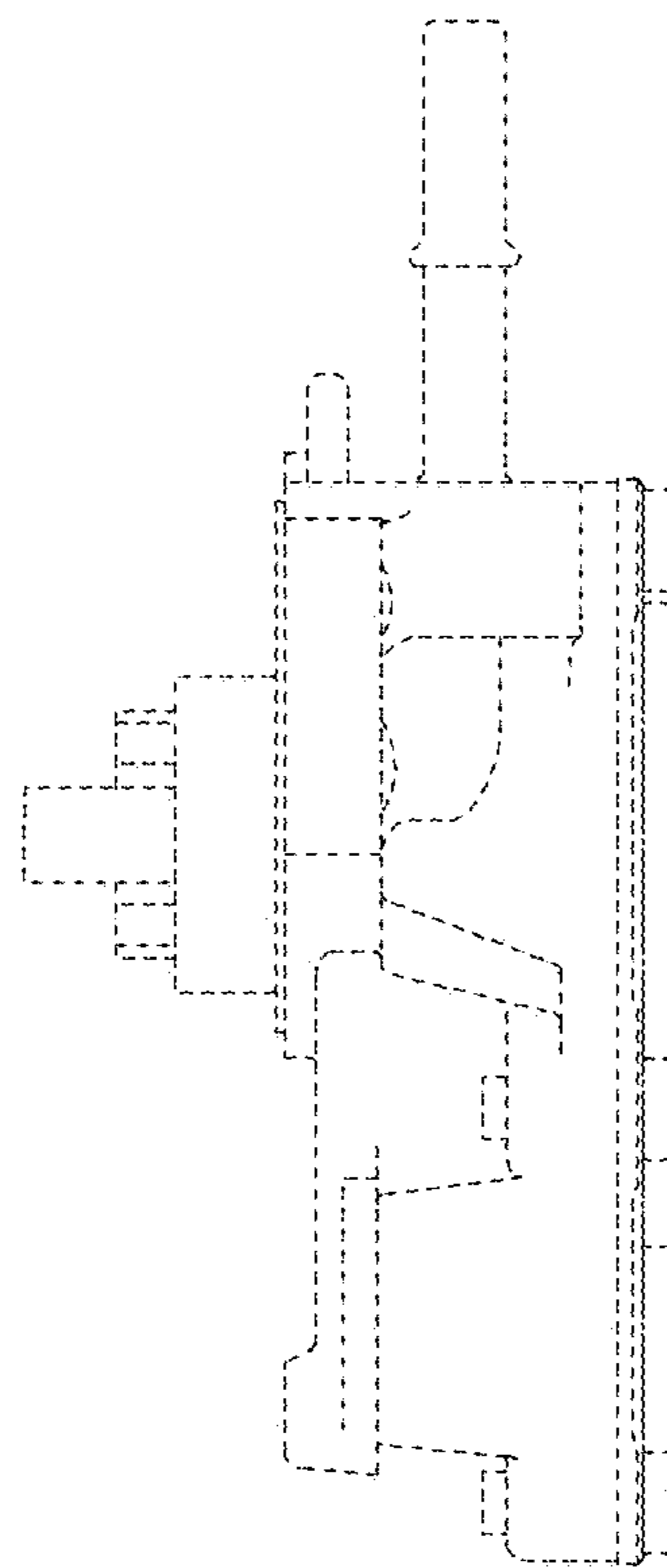


FIG. 13

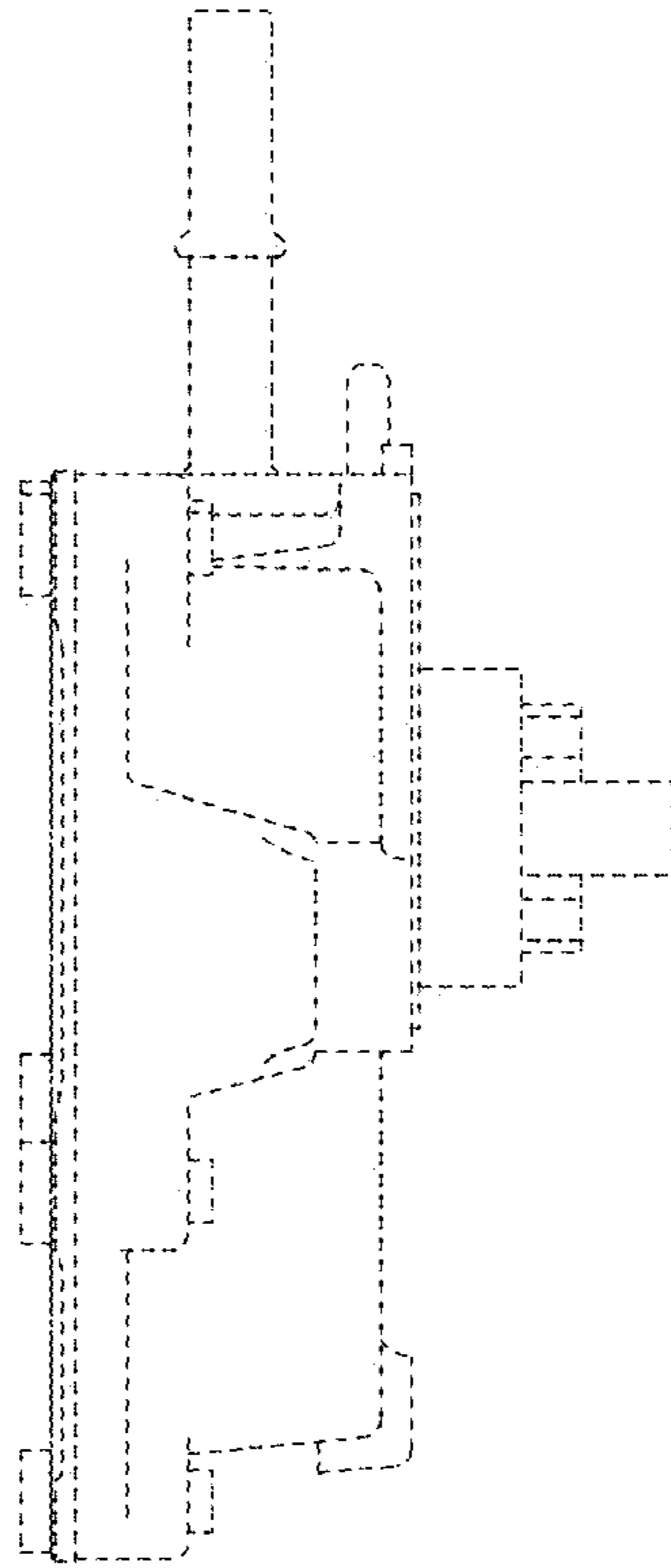


FIG. 14

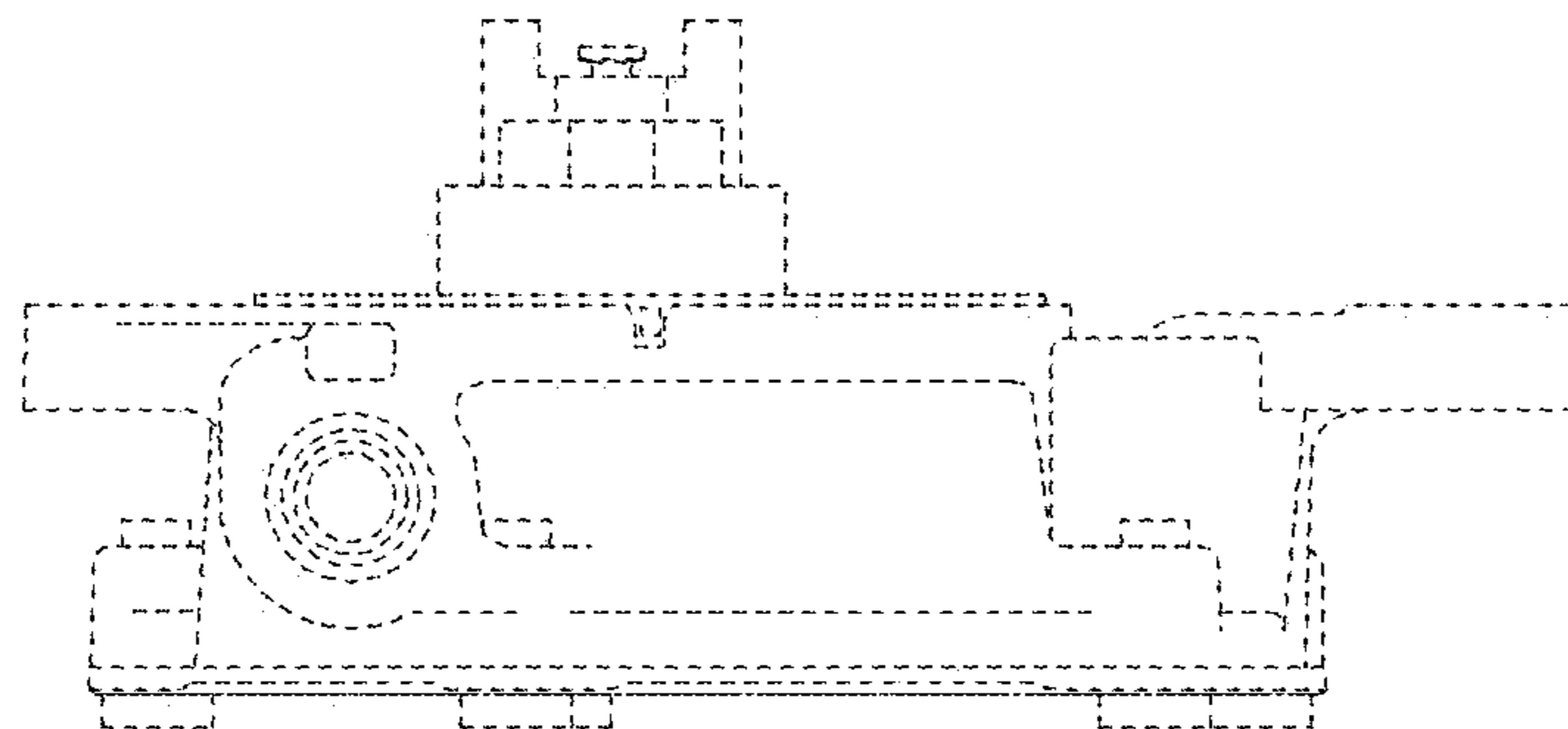


FIG. 15

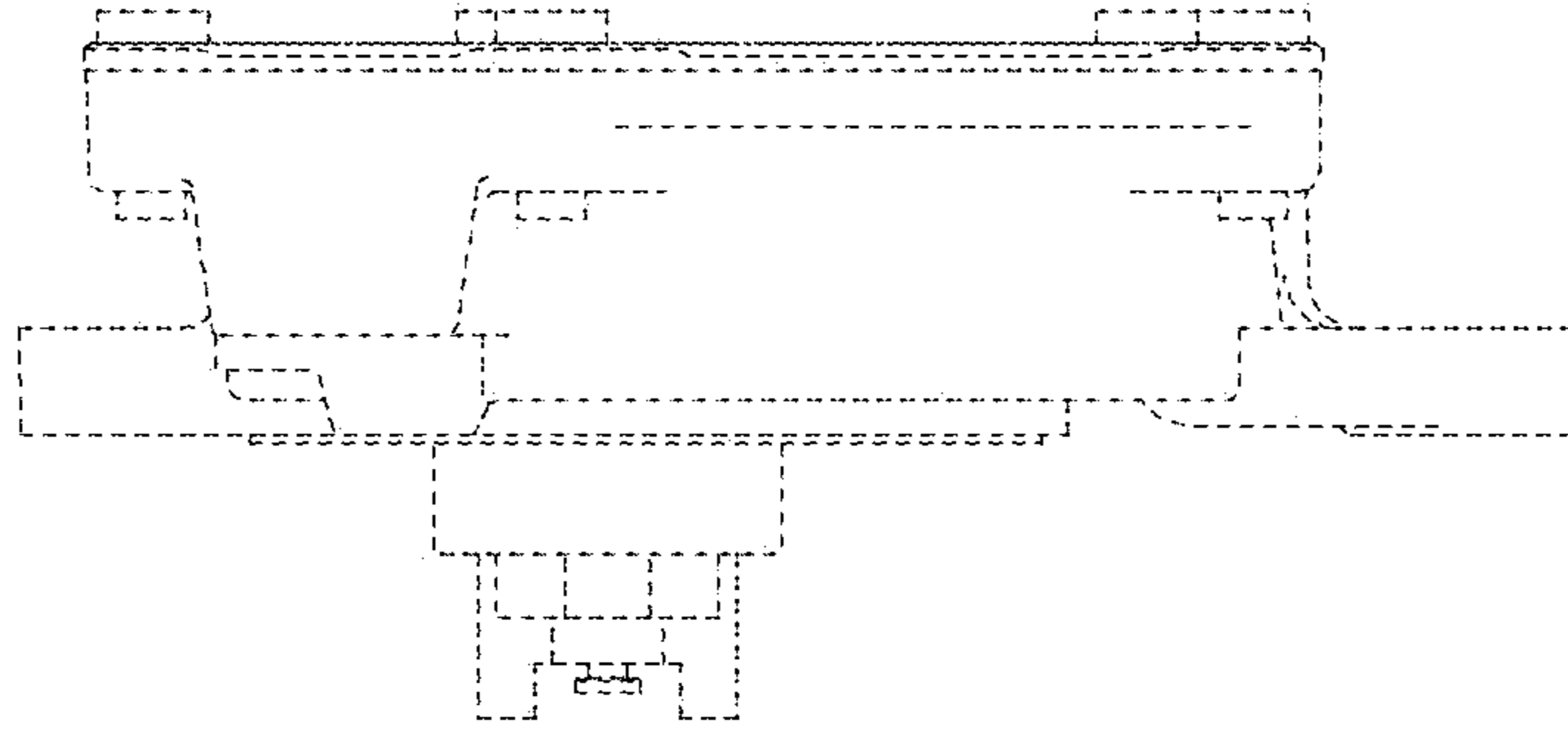


FIG. 16

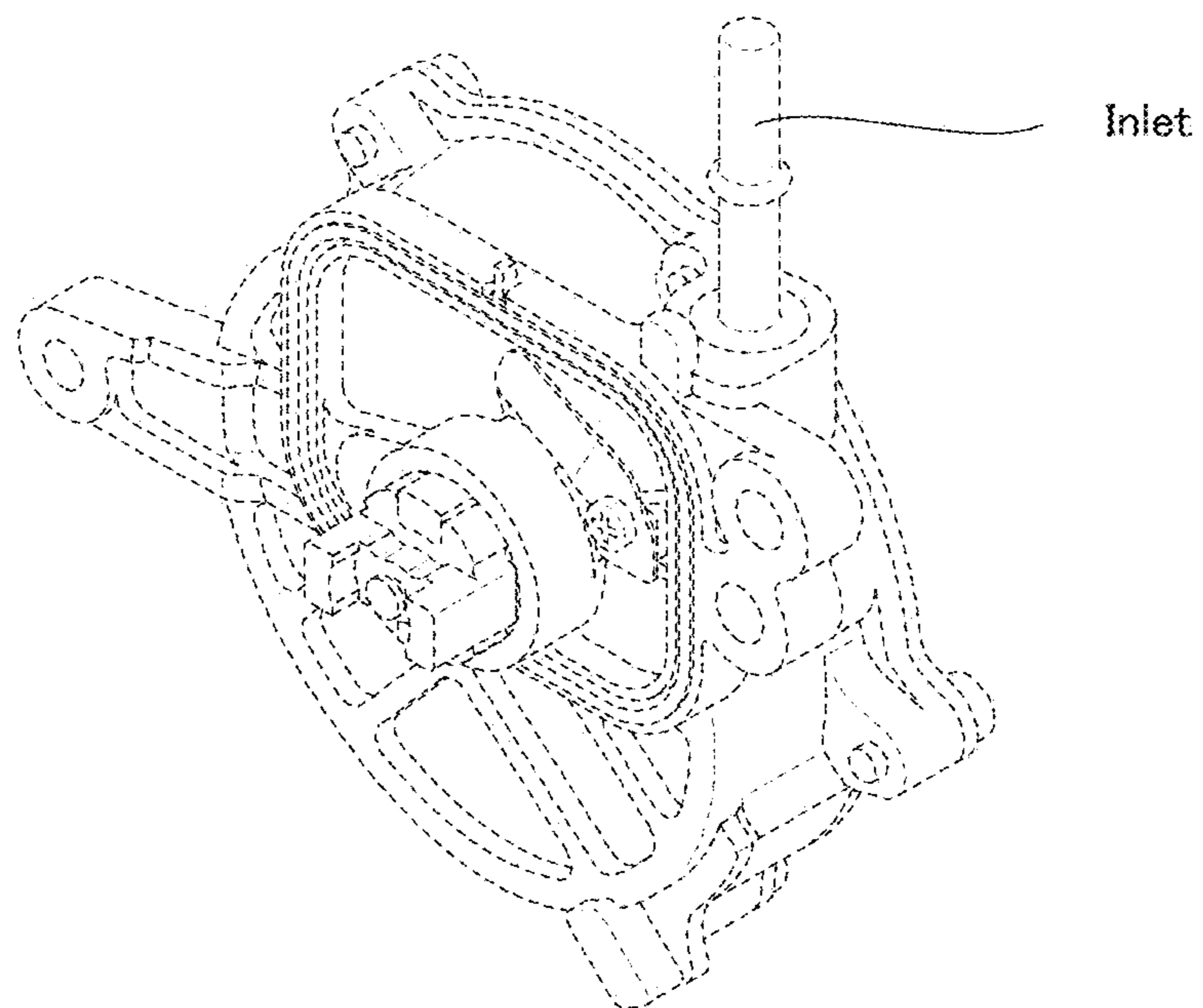


FIG. 17

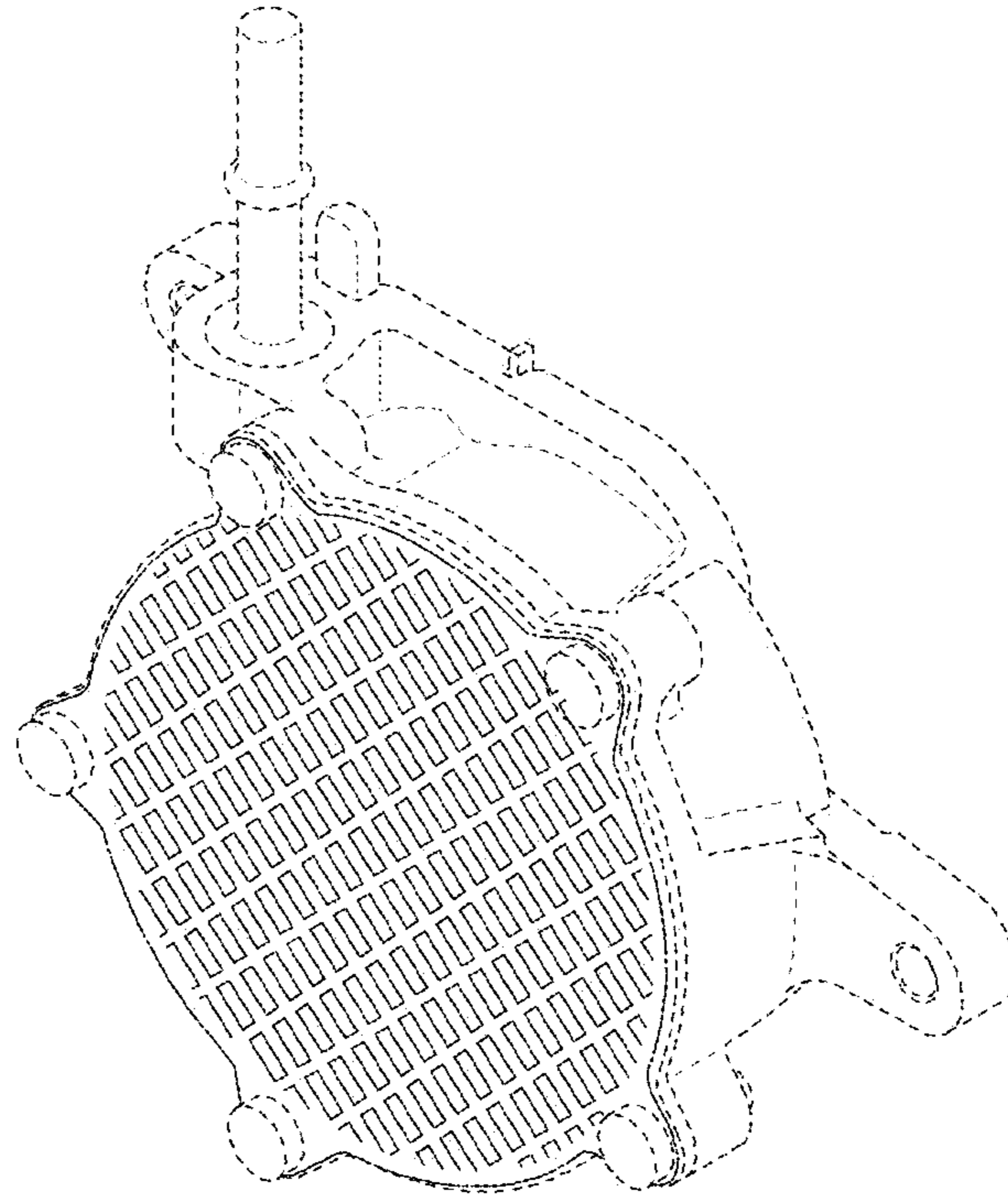


FIG. 18

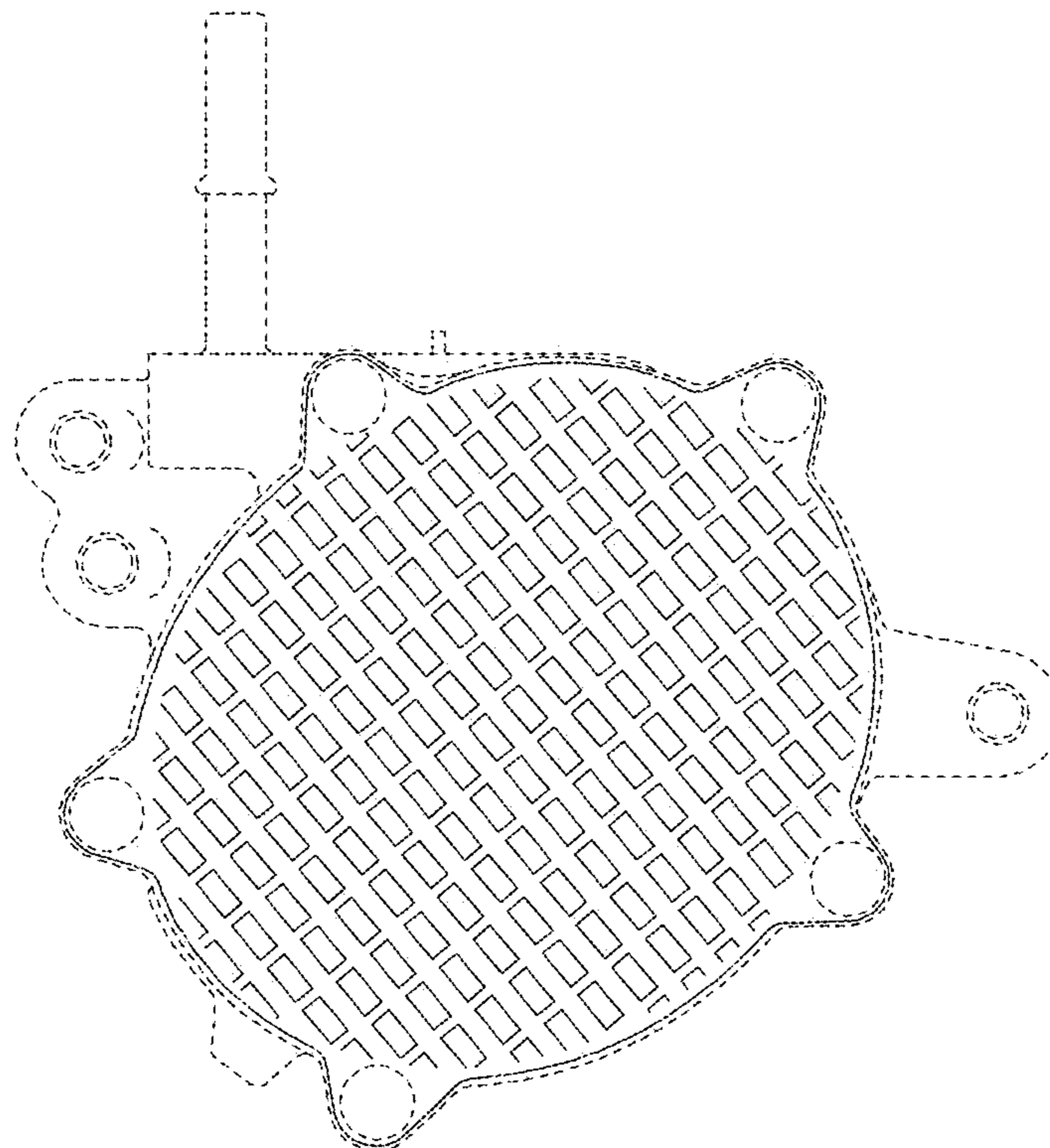


FIG. 19

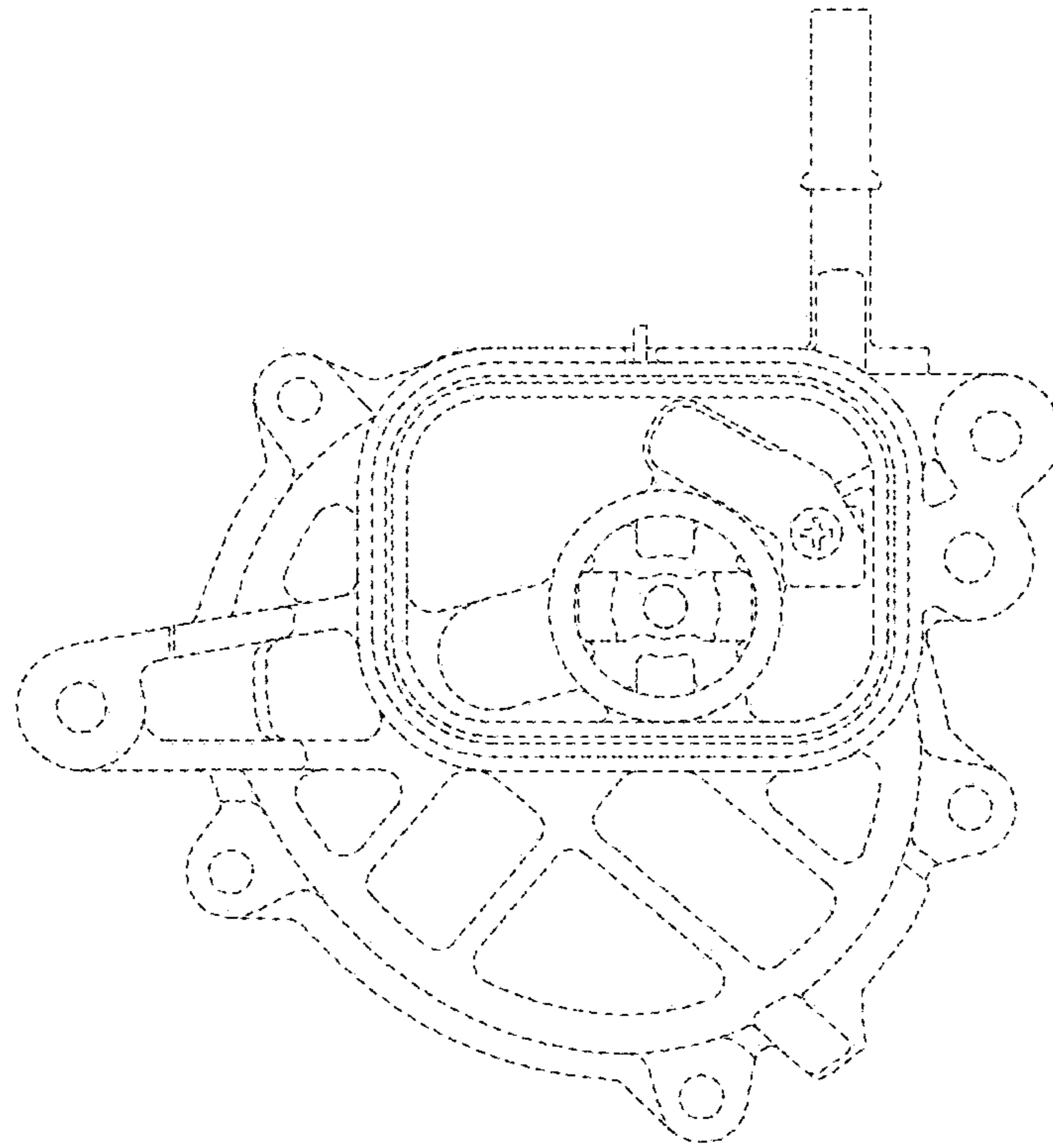


FIG. 20

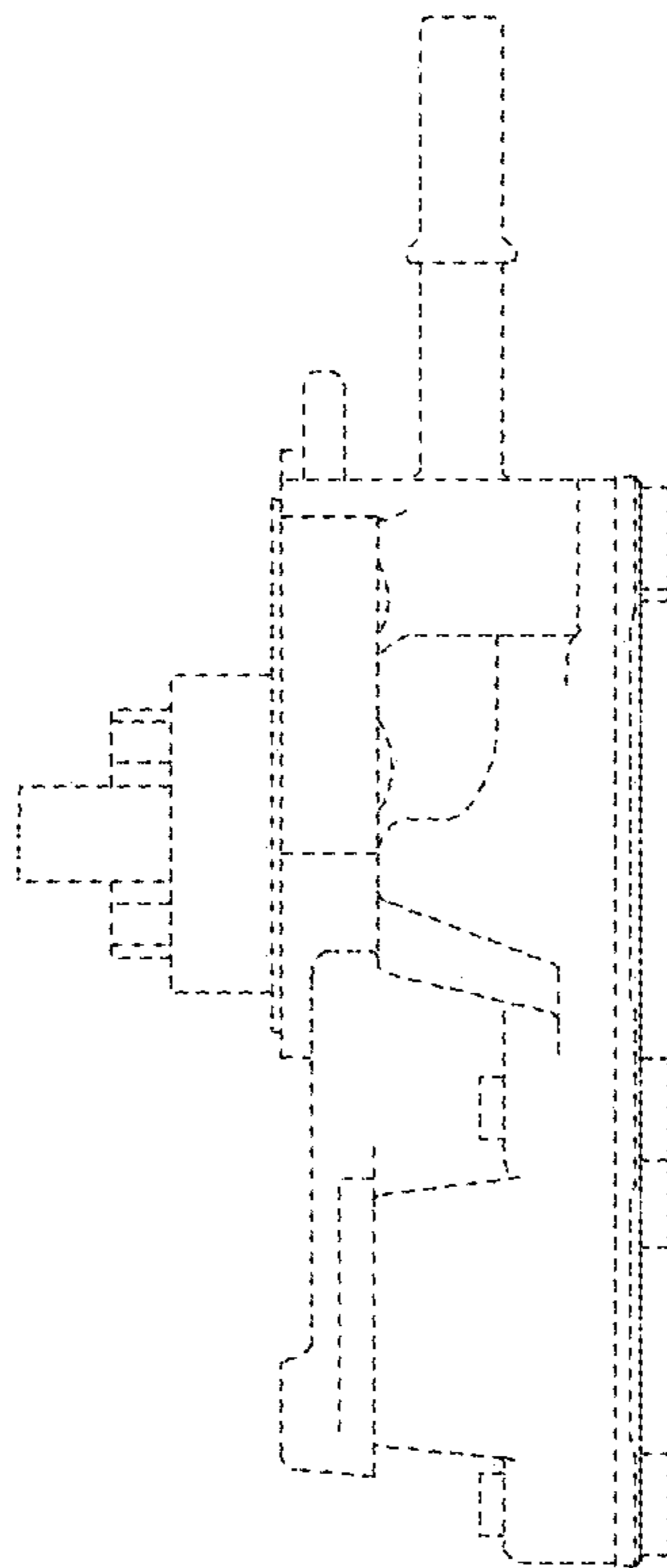


FIG. 21

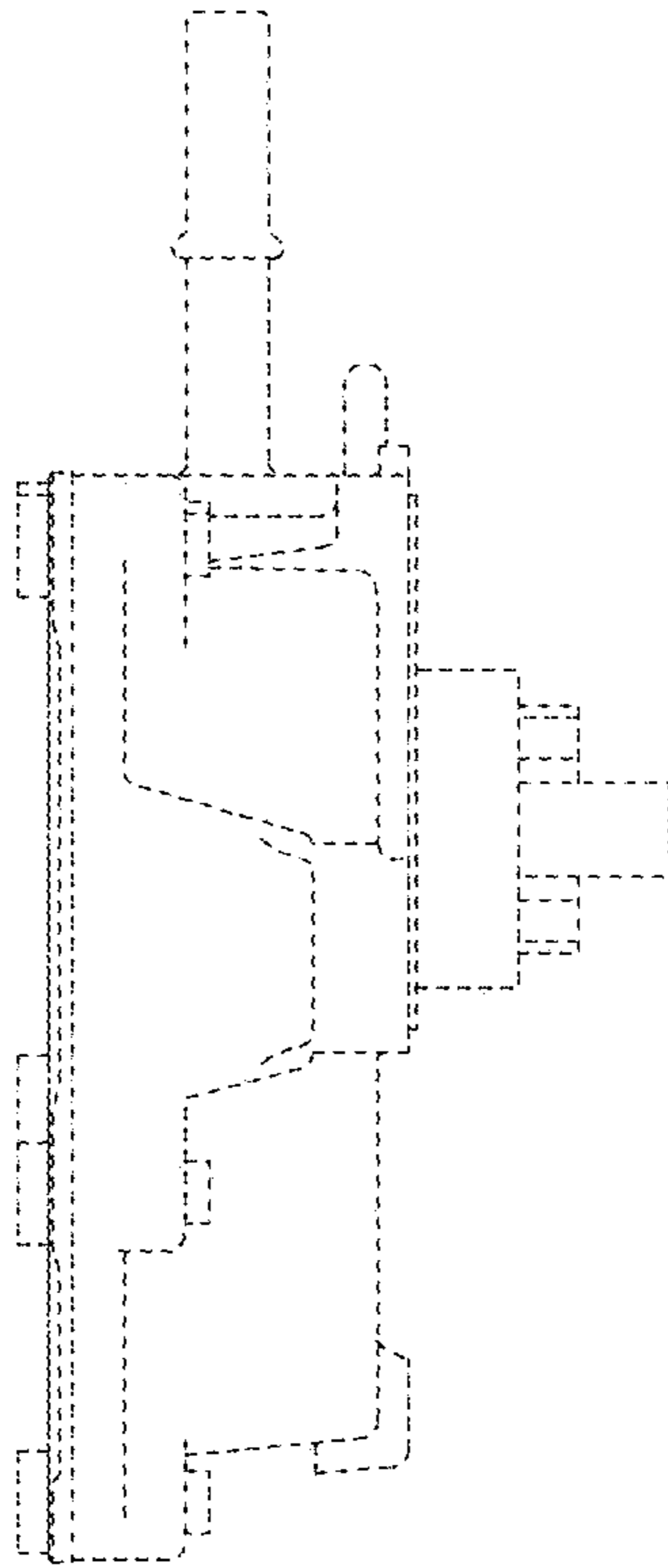


FIG. 22

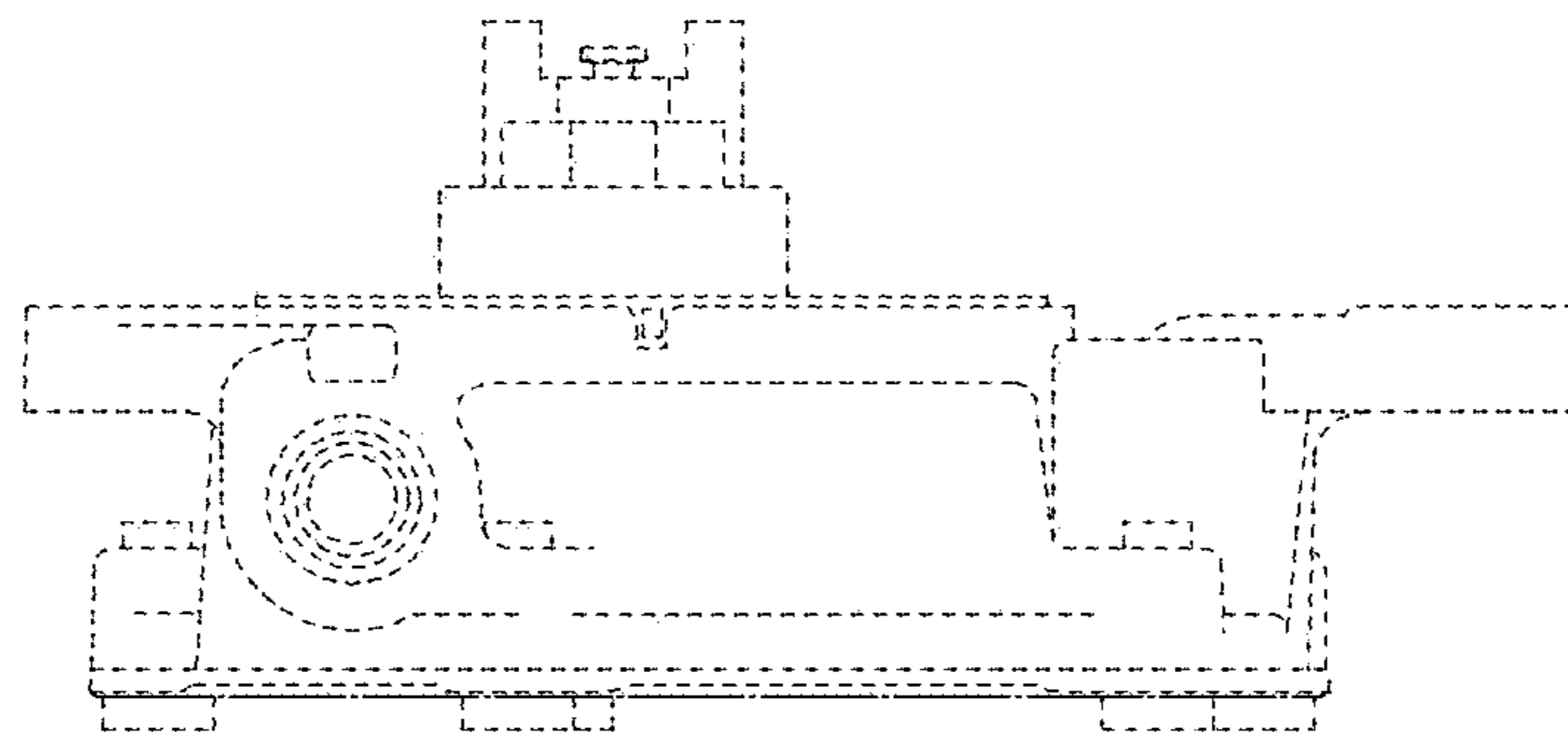


FIG. 23

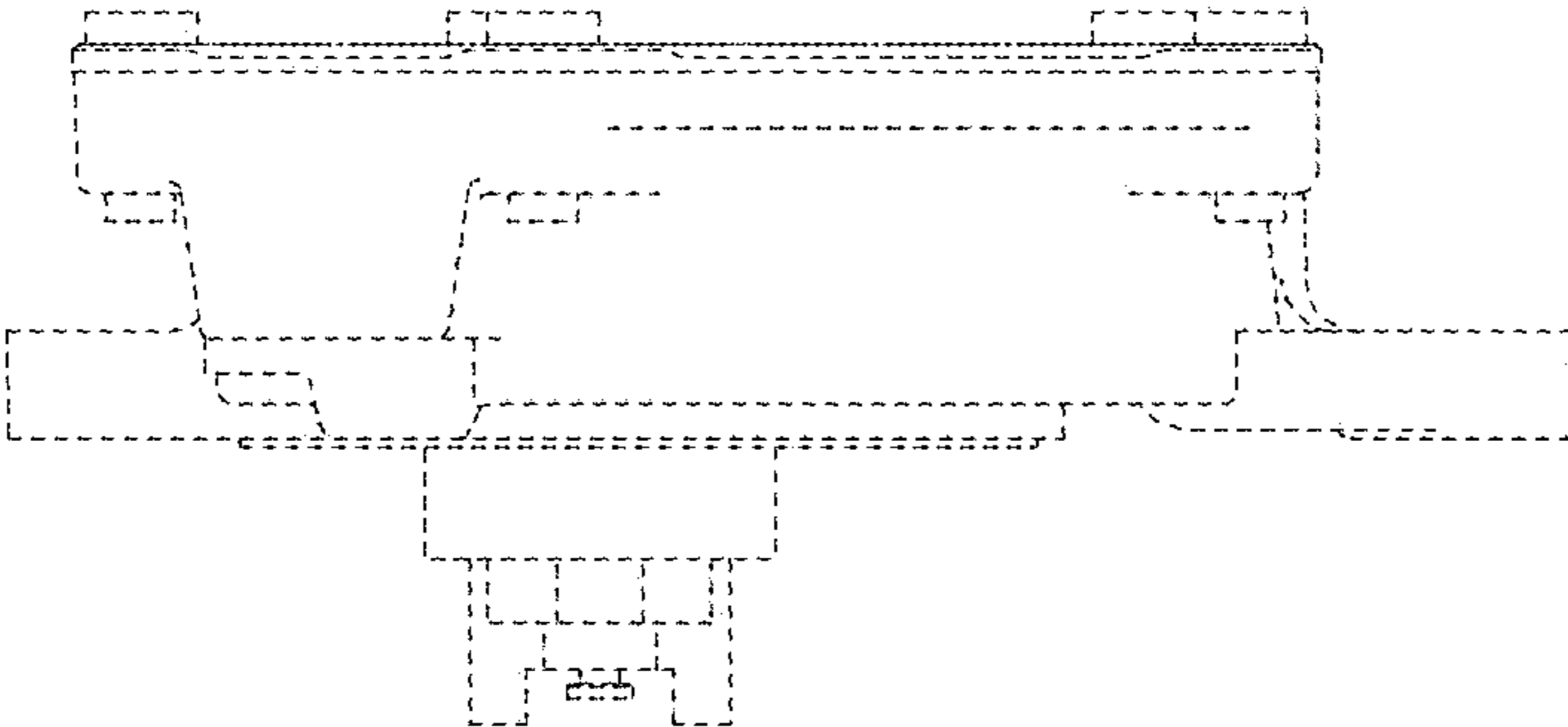


FIG. 24

