



US00D967196S

(12) **United States Design Patent** (10) **Patent No.:** **US D967,196 S**
Landel et al. (45) **Date of Patent:** **** Oct. 18, 2022**

(54) **AIR INTAKE SYSTEM WITH WINDOW**
(71) Applicant: **Advanced Flow Engineering, Inc.**,
Corona, CA (US)
(72) Inventors: **Christian Luc Landel**, Corona, CA
(US); **Shahriar Nick Niakan**, Anaheim
Hills, CA (US)
(73) Assignee: **Advanced Flow Engineering, Inc.**,
Corona, CA (US)
(**) Term: **15 Years**
(21) Appl. No.: **29/800,458**
(22) Filed: **Jul. 21, 2021**
(51) **LOC (13) Cl.** **15-01**
(52) **U.S. Cl.**
USPC **D15/5**
(58) **Field of Classification Search**
USPC D15/1-5
CPC F02M 35/10091; F02M 35/10222; F02M
35/10295; F02M 35/10321; F02M
35/10262; F02M 35/104; F02M
35/10354; F02M 35/116; F02M
35/10052; F02M 35/10078; F02M
35/112; F02M 35/10085; F02M 31/00;
F02M 31/04; F02M 31/042; F02M
31/045; F02M 31/047; F02M 31/093;
F02M 35/10144; F02M 35/10039; F02M
35/10347; F02M 35/10334; F02M 35/00;
F02M 35/10; F02M 35/10026; F02M
35/044

See application file for complete search history.

(56) **References Cited**
U.S. PATENT DOCUMENTS
D886,867 S * 6/2020 Niakan D15/5
2006/0196462 A1* 9/2006 Quezada F02M 35/10144
123/184.21
2011/0214936 A1* 9/2011 Raimbault F02D 9/103
181/229
2014/0116015 A1* 5/2014 Niakan F16L 21/002
55/495
2020/0130608 A1* 4/2020 Wiley B60K 13/02
* cited by examiner

Primary Examiner — Ania Aman
(74) *Attorney, Agent, or Firm* — Ravi Mohan; Rutan &
Tucker, LLP

(57) **CLAIM**
The ornamental design for an air intake system with win-
dow, as shown and described.

DESCRIPTION
FIG. 1 is a top, front, right side perspective view of the air
intake system with window;
FIG. 2 is a front elevation view thereof;
FIG. 3 is a rear elevation view thereof;
FIG. 4 is a right side elevation view thereof;
FIG. 5 is a left side elevation view thereof;
FIG. 6 is a top plan view thereof; and,
FIG. 7 is a bottom plan view thereof.
The broken lines shown in the drawings are for the purpose
of illustrating portions of the air intake system with window
and form no part of the claimed design.

1 Claim, 6 Drawing Sheets

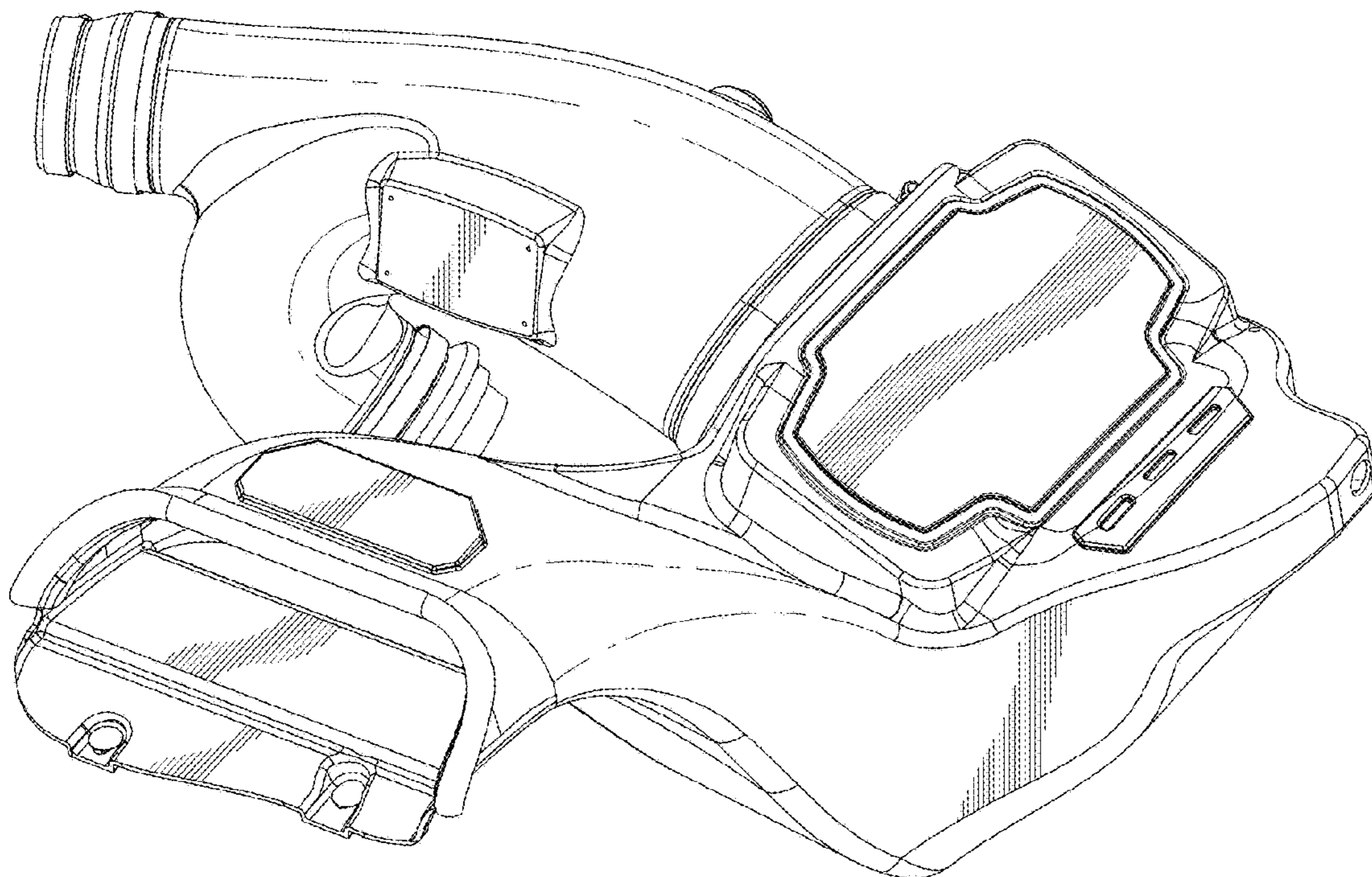
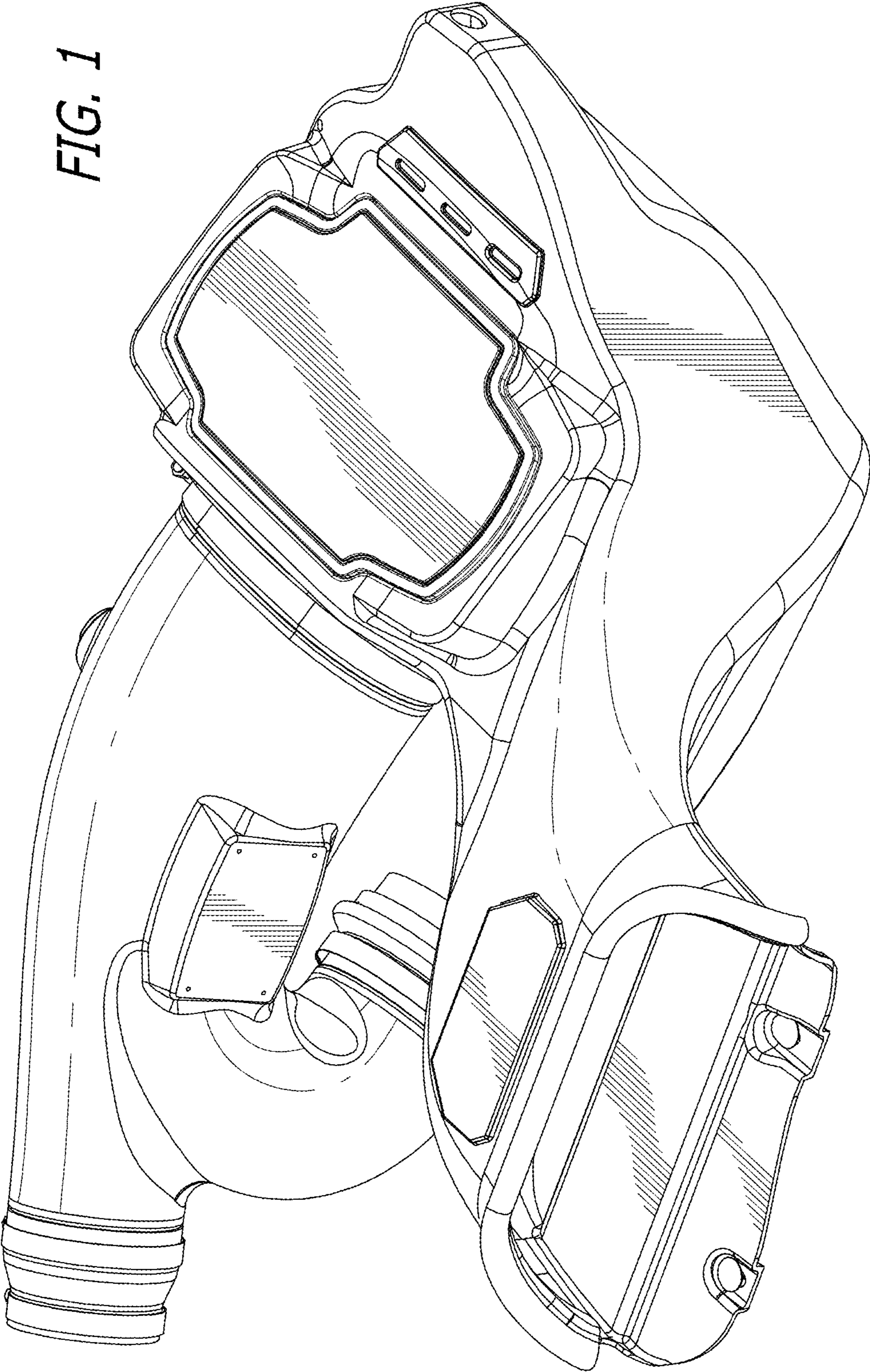


FIG. 1



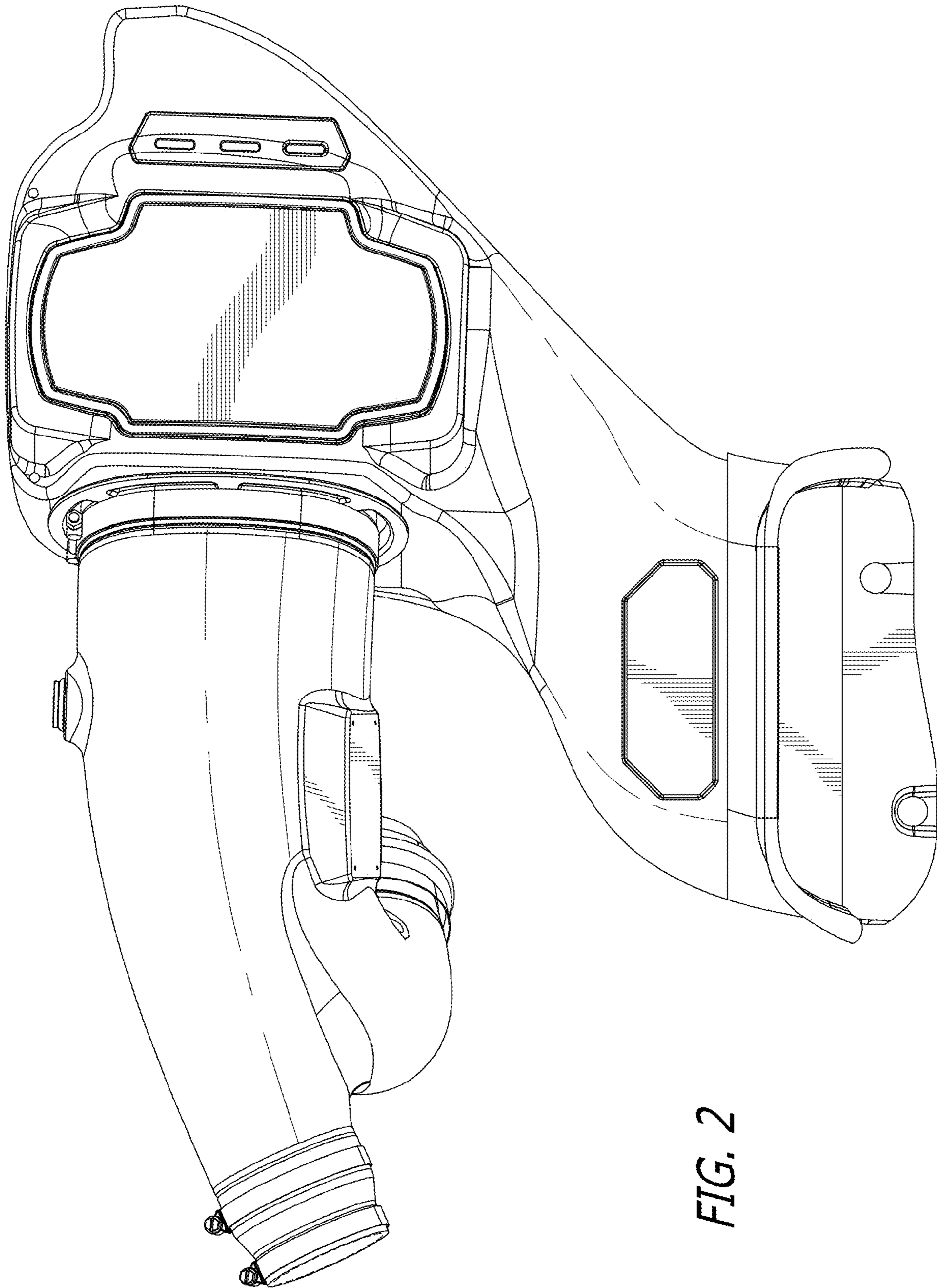


FIG. 2

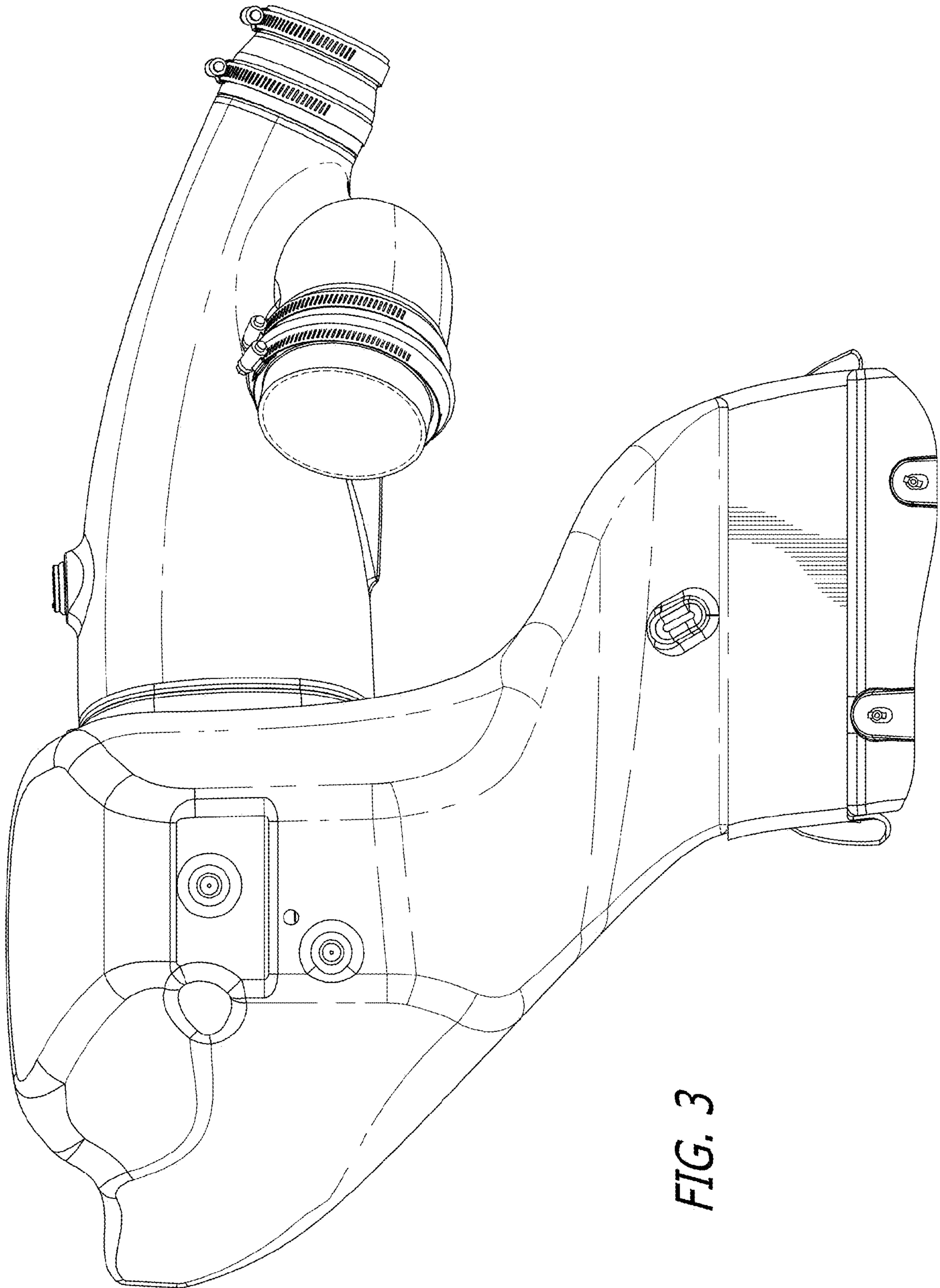


FIG. 3

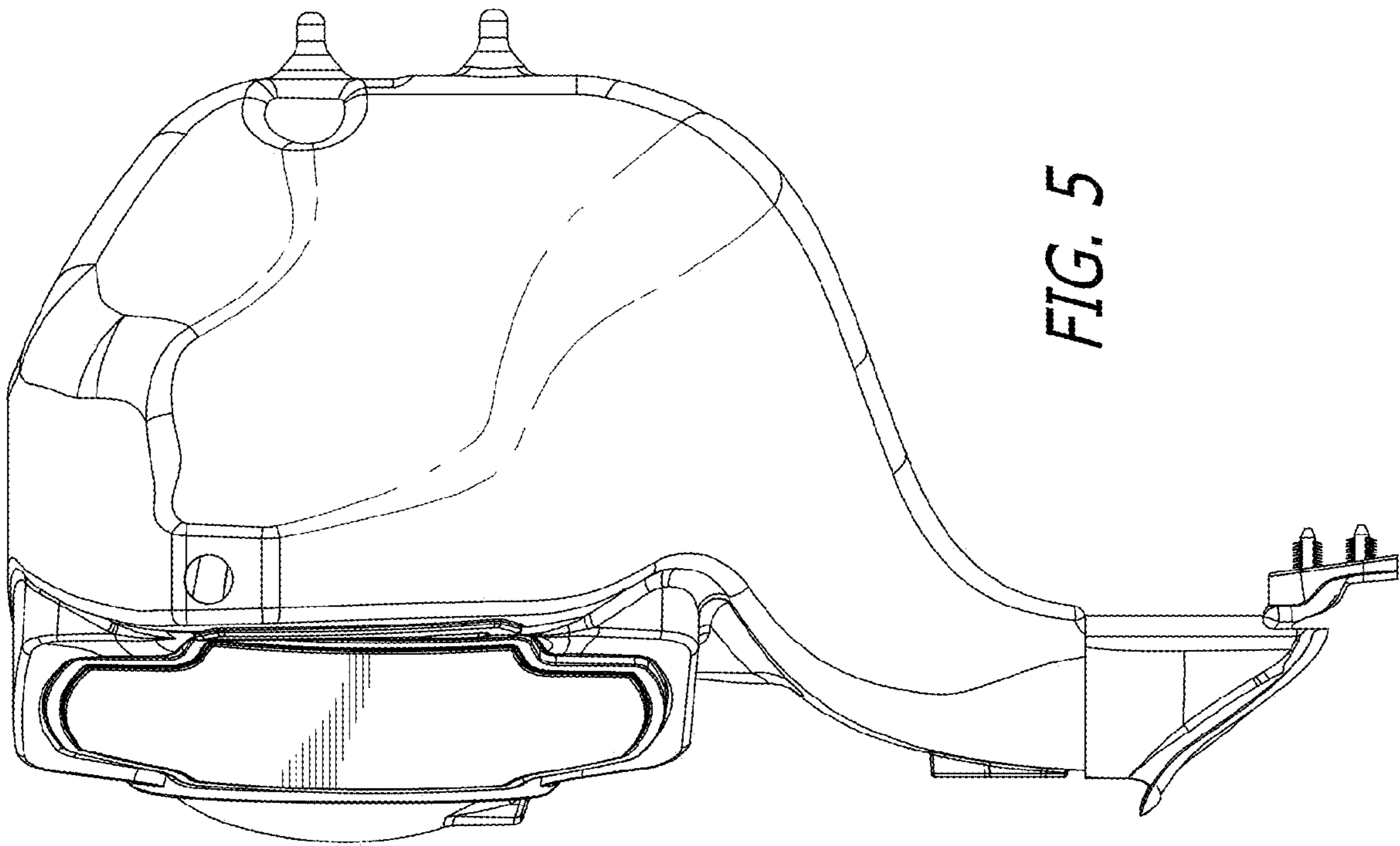


FIG. 5

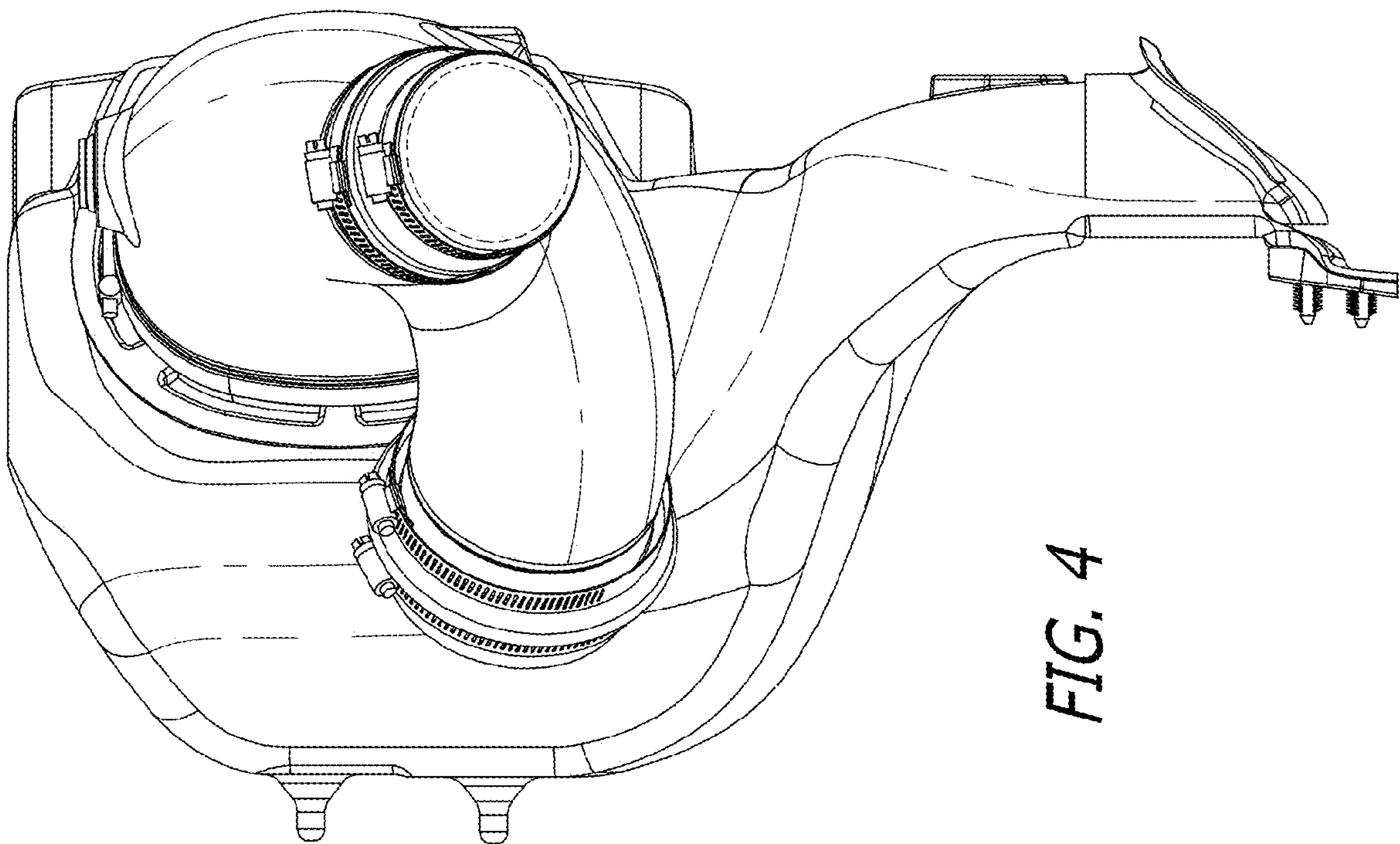


FIG. 4

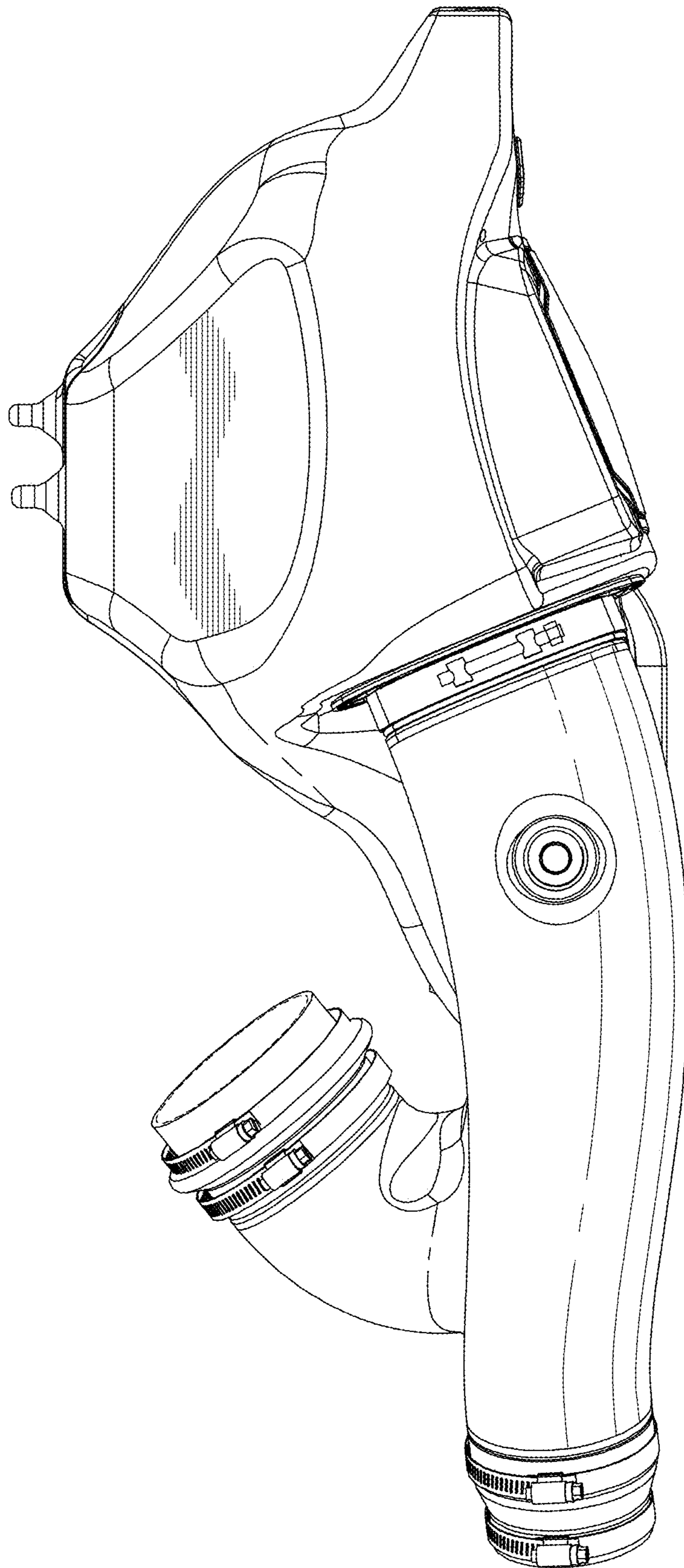


FIG. 6

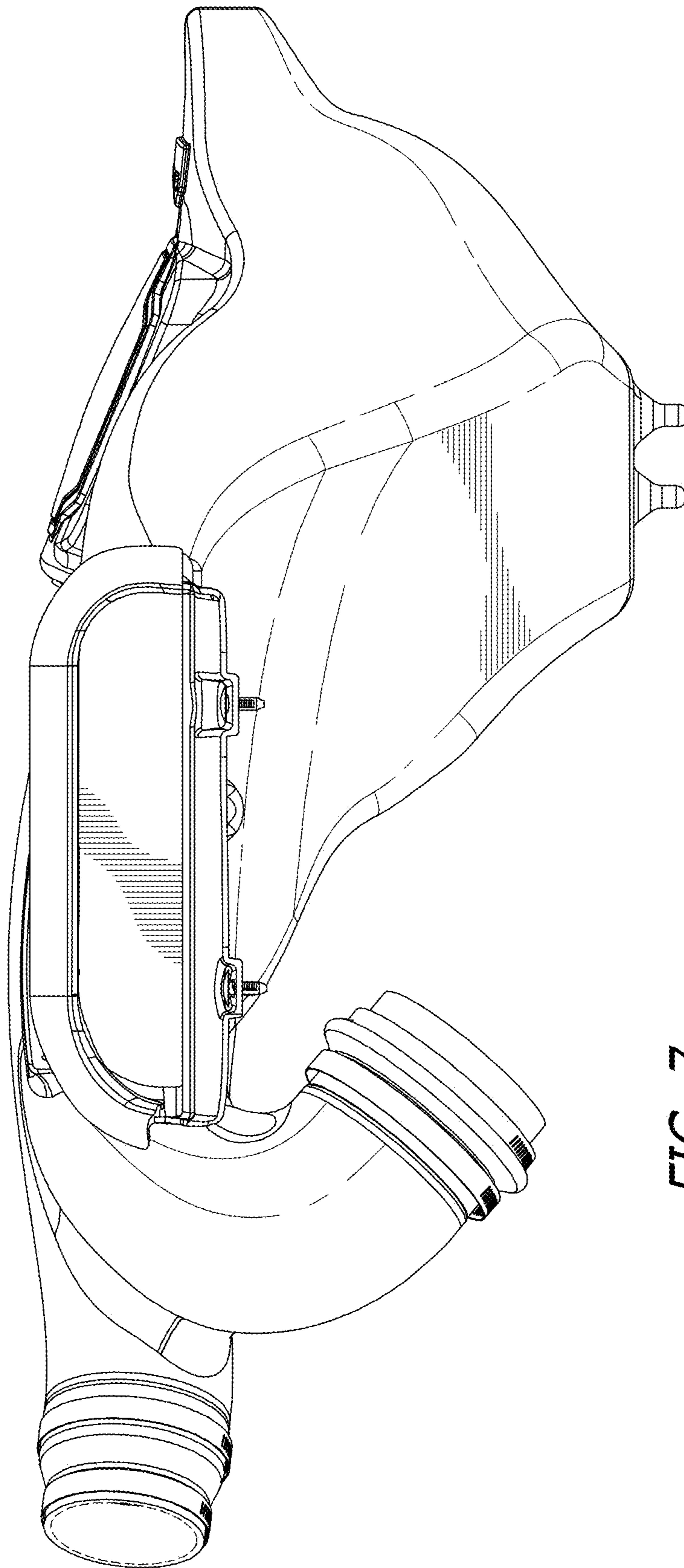


FIG. 7