



US00D967195S

(12) **United States Design Patent**
Collins et al.

(10) **Patent No.:** **US D967,195 S**
(45) **Date of Patent:** **** Oct. 18, 2022**

- (54) **ENGINE INTAKE MANIFOLD**
- (71) Applicant: **RB Distribution, Inc.**, Colmar, PA (US)
- (72) Inventors: **Timothy Collins**, Oxford, MI (US); **Donald Carbone**, Rochester Hills, MI (US); **Patrick Kennedy**, Perkasio, PA (US); **Michael Capko**, Harleysville, PA (US)
- (73) Assignee: **RB Distribution, Inc.**, Colmar, PA (US)
- (**) Term: **15 Years**
- (21) Appl. No.: **29/775,771**
- (22) Filed: **Mar. 25, 2021**

- D654,094 S 2/2012 Dralle
 - D665,821 S 8/2012 Capko
 - D673,977 S 1/2013 Hus
 - D673,978 S 1/2013 Hsu
 - D673,979 S 1/2013 Finnican
 - D677,699 S 3/2013 Finnican
 - D680,132 S 4/2013 Finnican
 - 8,567,366 B2 10/2013 Reese
 - D697,943 S 1/2014 Capko
 - D700,621 S 3/2014 Capko
- (Continued)

Related U.S. Application Data

- (62) Division of application No. 29/607,409, filed on Jun. 13, 2017, now Pat. No. Des. 917,566.
- (51) **LOC (13) Cl.** **15-01**
- (52) **U.S. Cl.**
USPC **D15/5**
- (58) **Field of Classification Search**
USPC D12/194; D15/1-6, 14, 17, 143, 149; D23/23
CPC F02M 35/048; F02M 35/10137; F02M 35/1255; F02M 35/161; F02B 29/0475
See application file for complete search history.

References Cited

U.S. PATENT DOCUMENTS

- D321,888 S 11/1991 Brotherton
- D400,890 S * 11/1998 Gambardella D15/5
- D405,095 S 2/1999 Wada
- D465,790 S 11/2002 Magnuson
- D533,194 S 12/2006 Cimbura
- D580,457 S 11/2008 Bender

OTHER PUBLICATIONS

As early as Jan. 2016—Photographs pp. 1/16.

Primary Examiner — Michael C Stout

Assistant Examiner — Fritzgerald L Butac

(74) *Attorney, Agent, or Firm* — Volpe Koenig

(57) **CLAIM**

The ornamental design for an engine intake manifold, as shown and described.

DESCRIPTION

FIG. 1 is a perspective view of an engine intake manifold according to our invention;

FIG. 2 is a left side view of our engine intake manifold shown in FIG. 1;

FIG. 3 is a right side view of our engine intake manifold shown in FIG. 1;

FIG. 4 is a front elevation view of our engine intake manifold shown in FIG. 1;

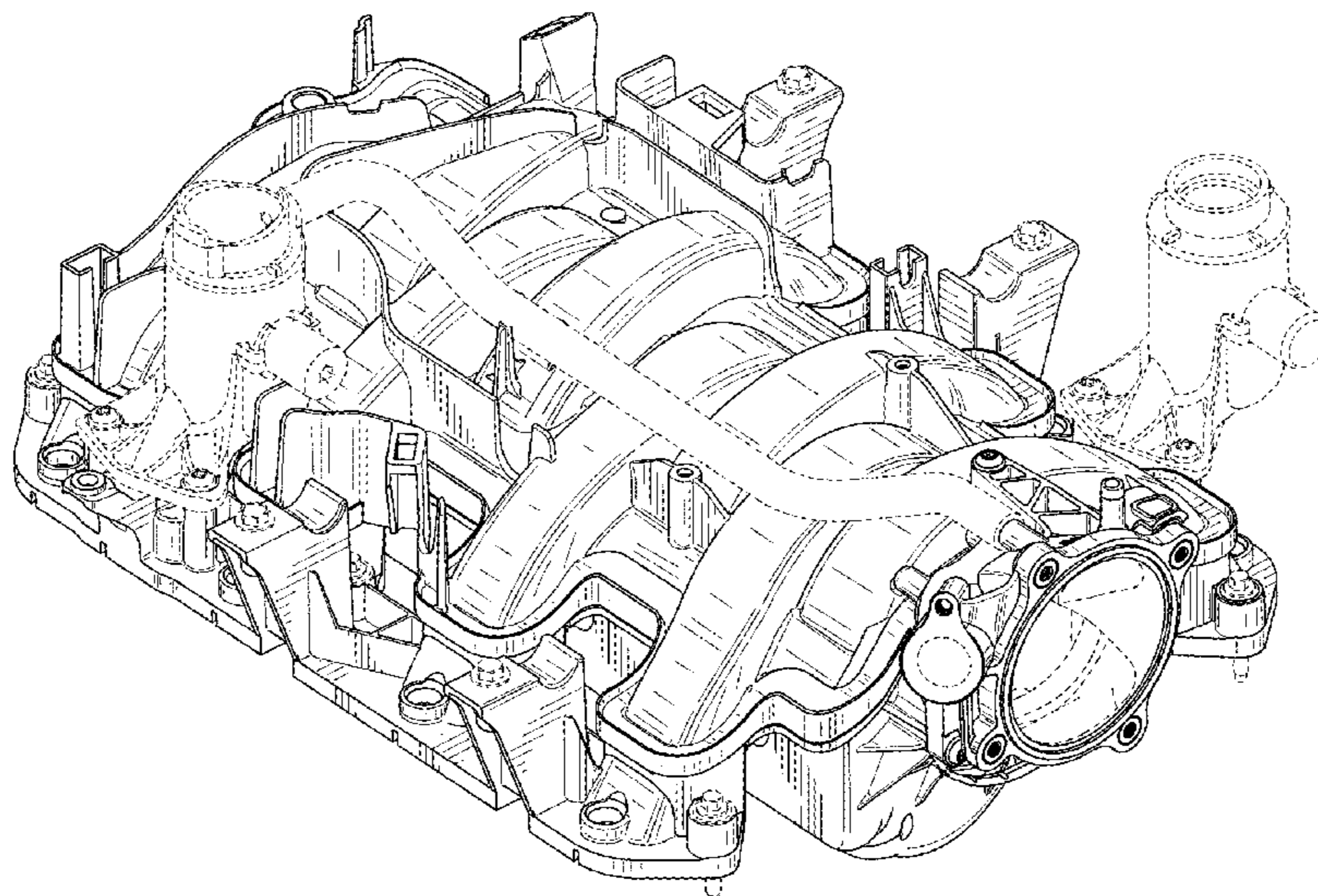
FIG. 5 is a rear elevation view of our engine intake manifold shown in FIG. 1;

FIG. 6 is a top plan view of our engine intake manifold shown in FIG. 1; and,

FIG. 7 is a bottom plan view of our engine intake manifold shown in FIG. 1.

The broken lines show portions of an engine intake manifold that form no part of the claimed design.

1 Claim, 7 Drawing Sheets



(56)

References Cited

U.S. PATENT DOCUMENTS

D733,187	S	6/2015	Bink	
D737,862	S	9/2015	Finnican	
D765,142	S	8/2016	Hunter	
D770,535	S	11/2016	Carbone	
D774,100	S	12/2016	Bink	
D788,173	S	5/2017	Hsu	
D794,681	S	8/2017	Newman	
D794,682	S	8/2017	Newman	
D799,553	S	10/2017	Bink	
D802,628	S	11/2017	Fischetto	
D812,100	S	3/2018	Litchfield	
D838,292	S	1/2019	Hummel	
D839,311	S	1/2019	Shurdim	
D850,488	S	6/2019	Shurdim	
D851,129	S	6/2019	Shurdim	
10,323,609	B1	6/2019	Collins	
D863,361	S	10/2019	VerSchave	
D880,528	S *	4/2020	Shurdim	D15/5
D892,171	S *	8/2020	Wei	D15/5
D892,172	S *	8/2020	Wei	D15/5
D893,551	S *	8/2020	Wei	D15/5
D900,873	S *	11/2020	Hudnall	D15/4
D901,539	S *	11/2020	Hudnall	D15/5
D901,540	S *	11/2020	Collins	D15/5
D907,665	S *	1/2021	Wei	D15/5
D908,141	S *	1/2021	Wei	D15/5
D917,566	S *	4/2021	Collins	D15/5

* cited by examiner

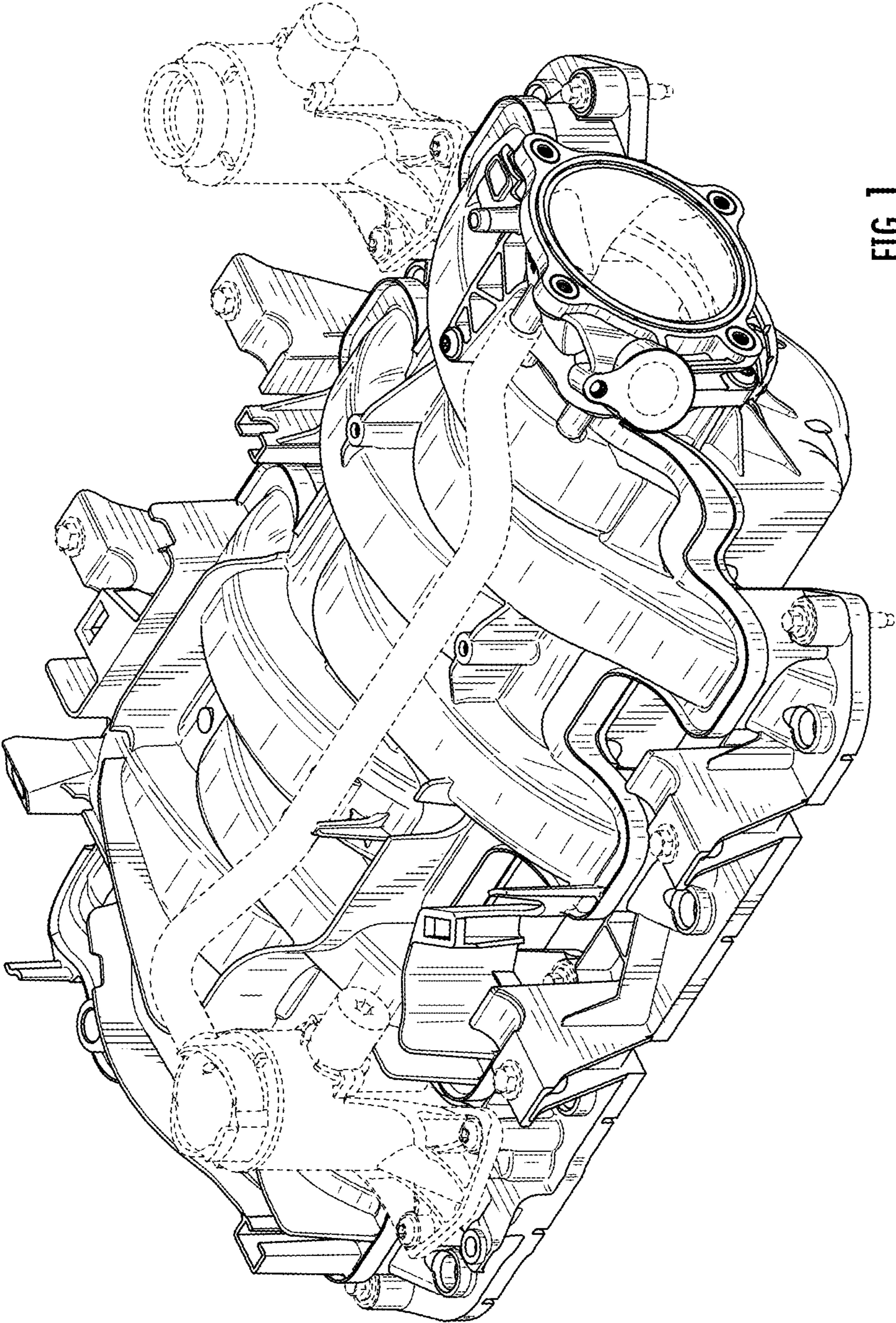


FIG. 1

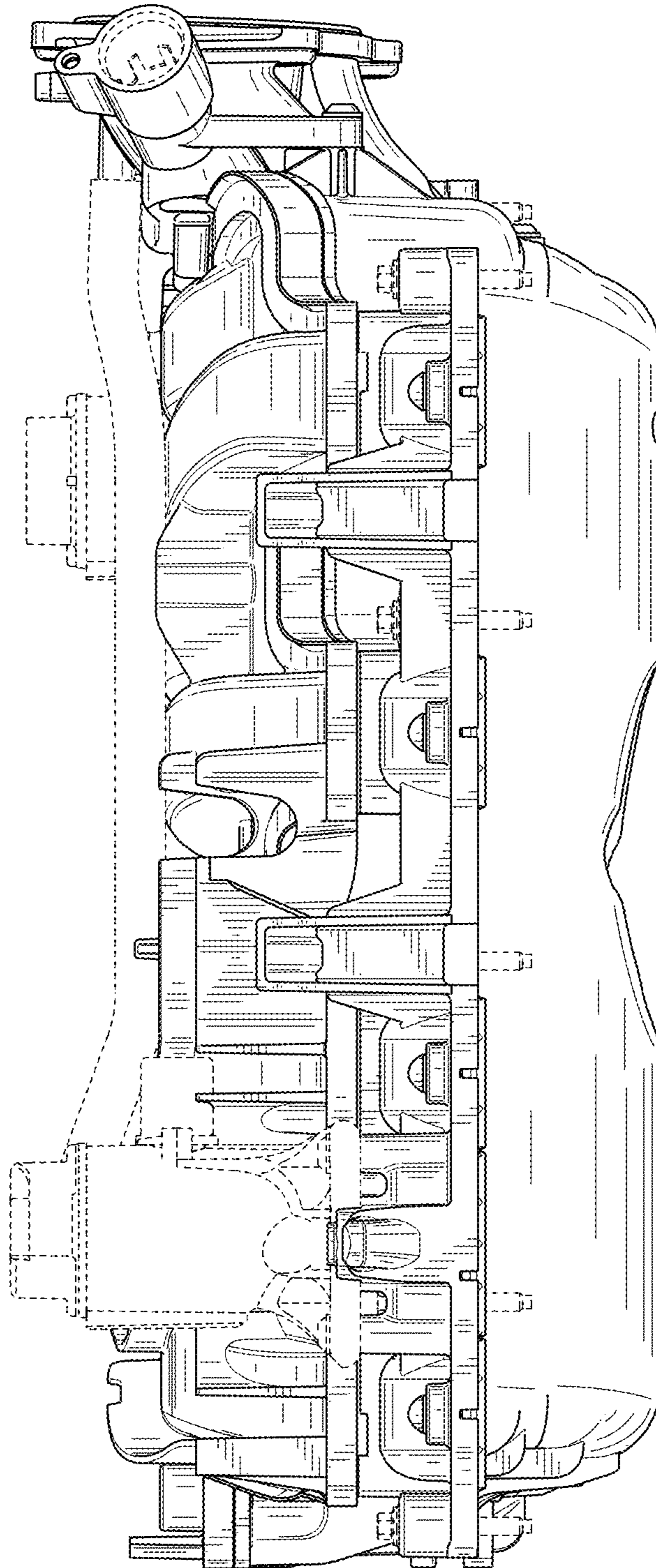


FIG. 2

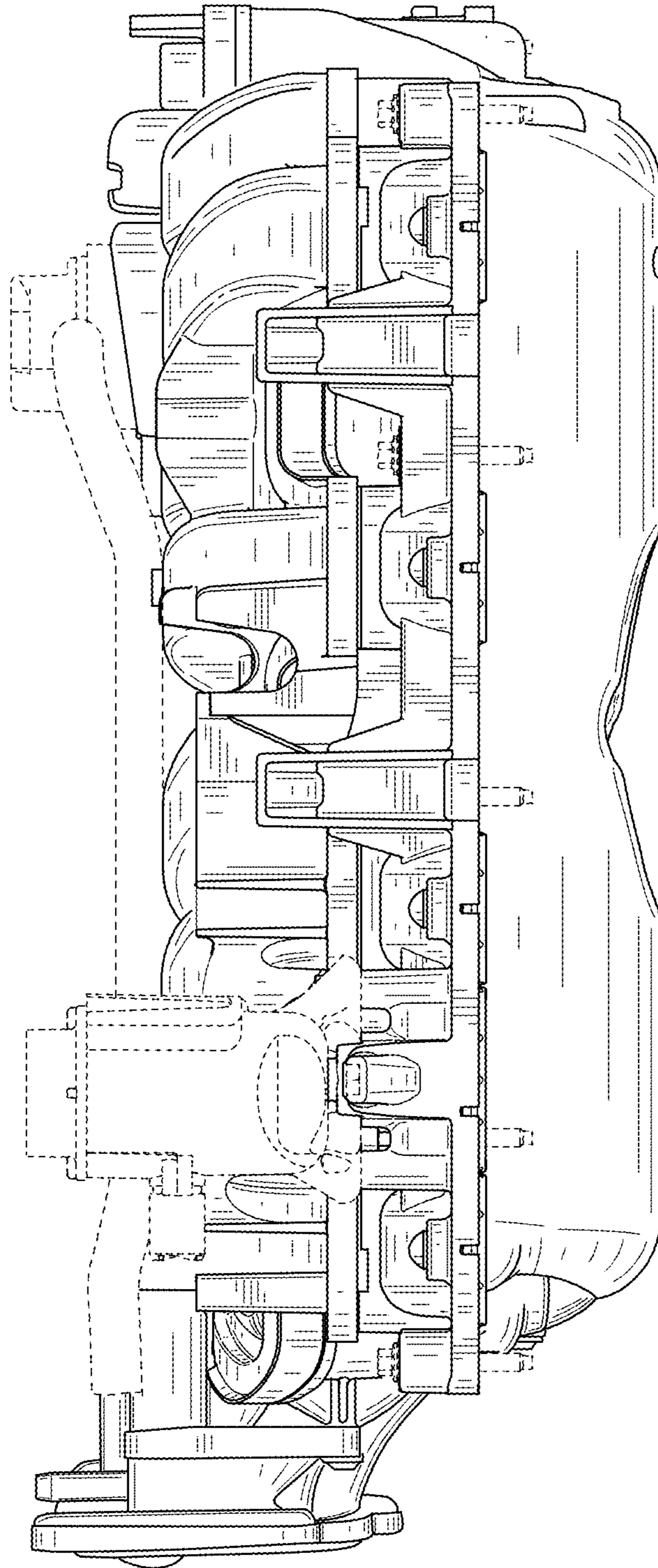


FIG. 3

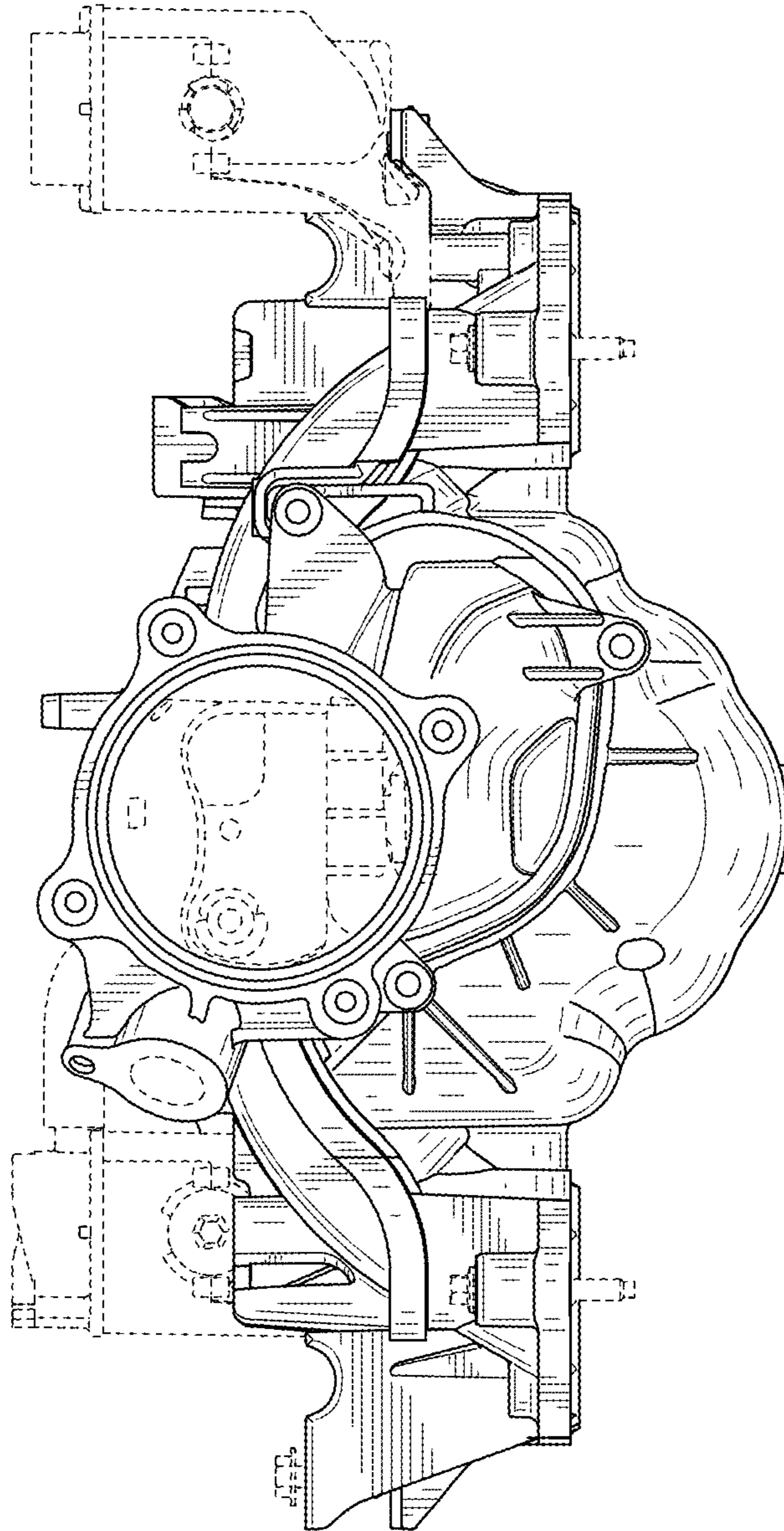


FIG. 4

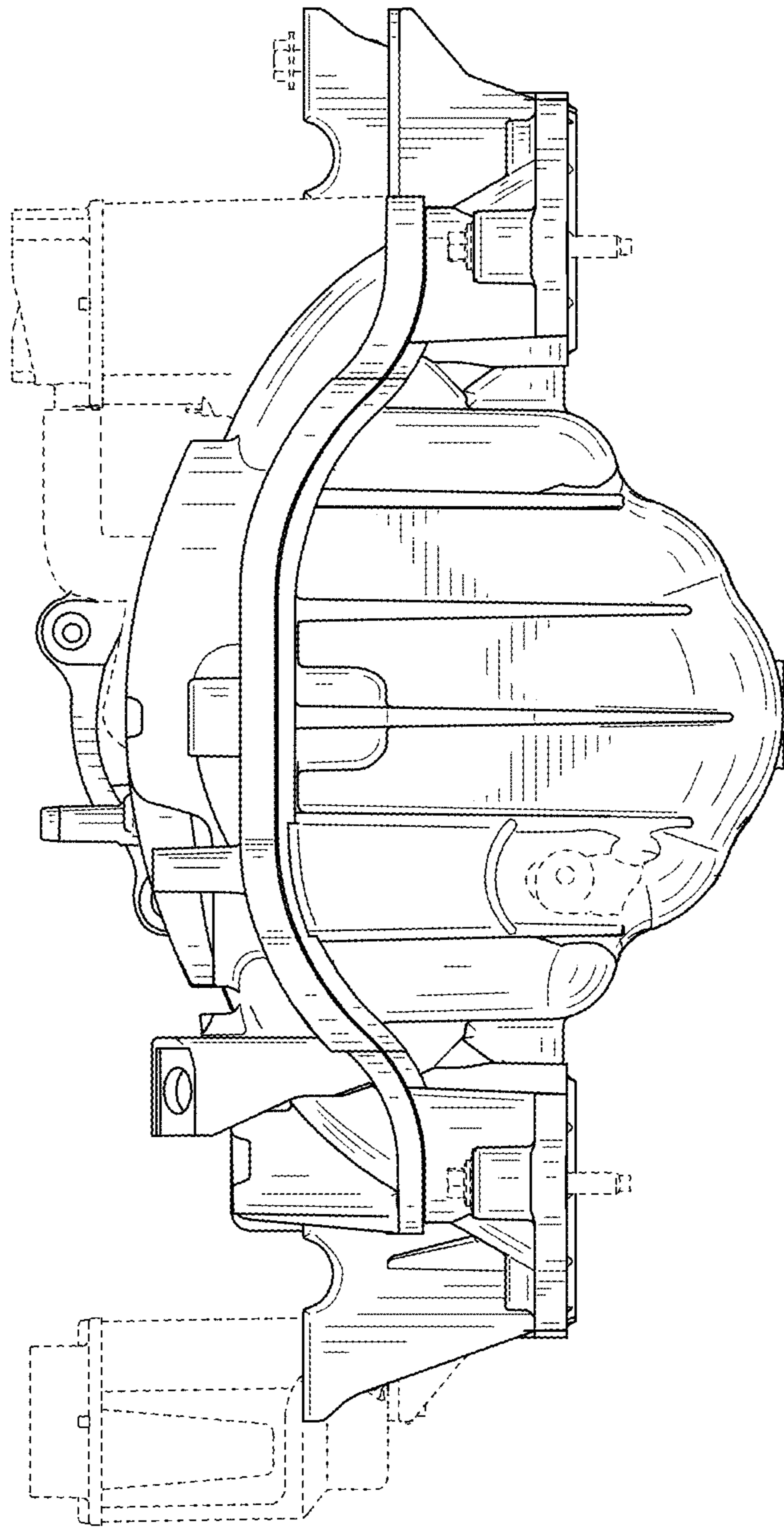


FIG. 5

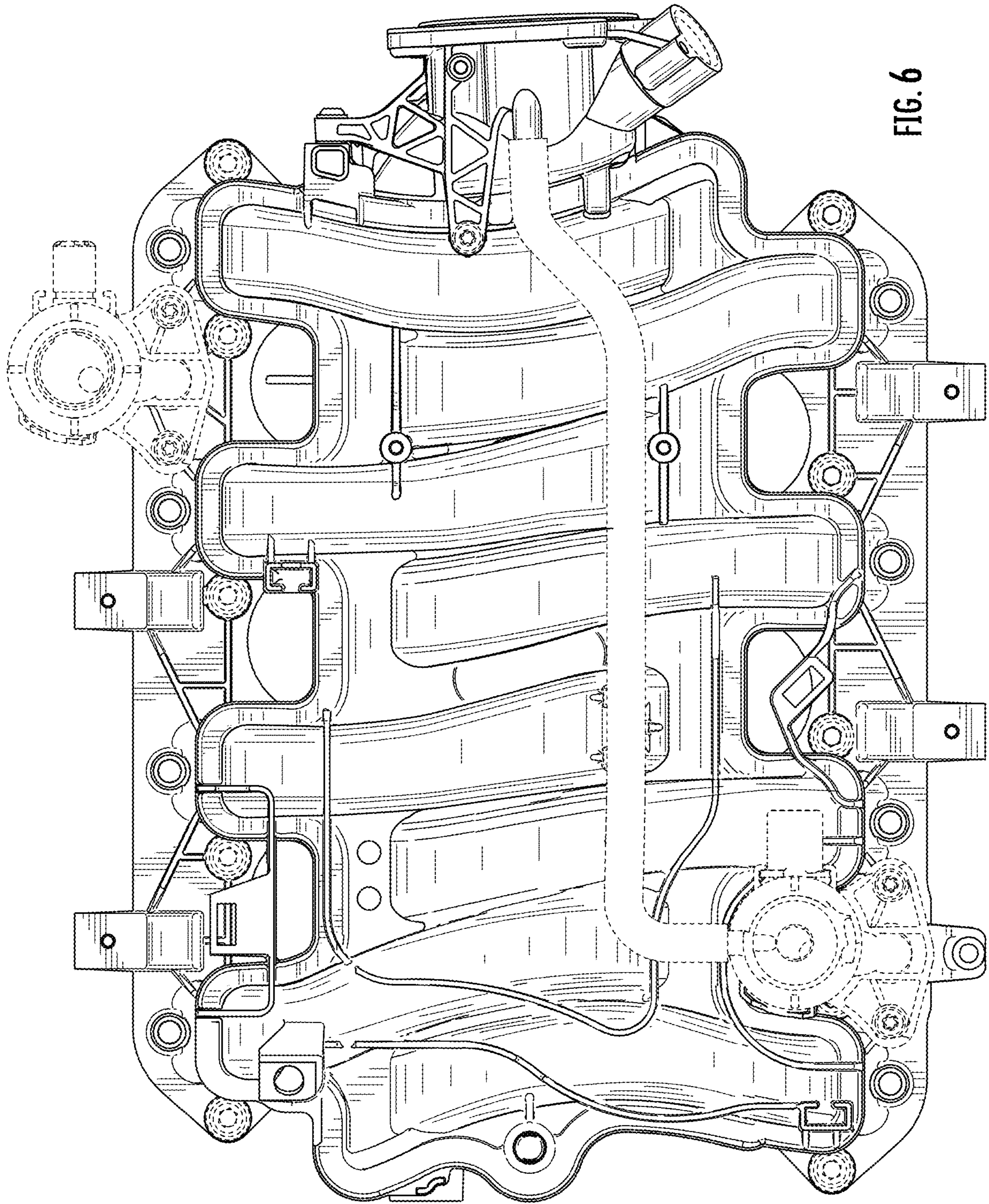


FIG. 6

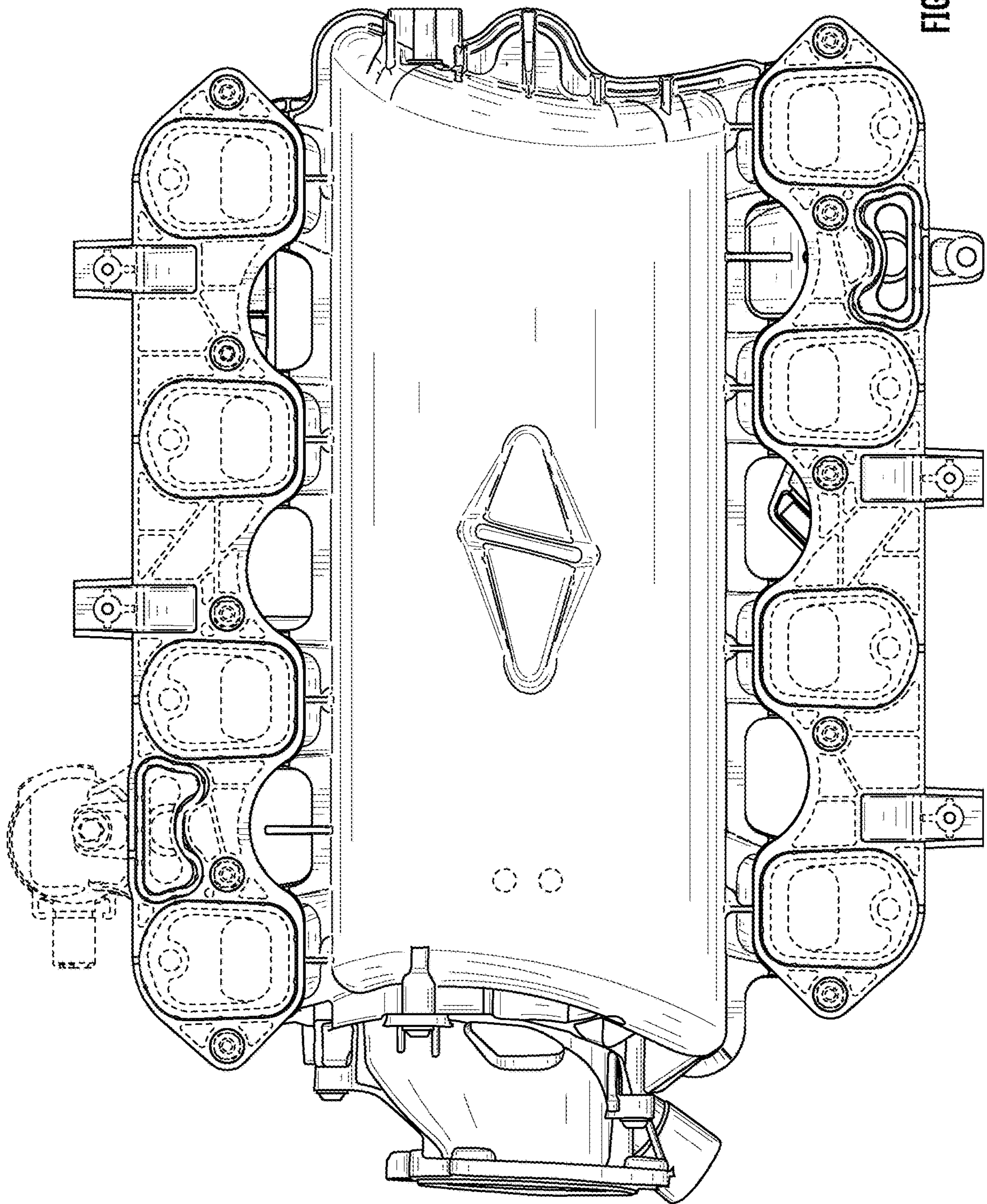


FIG. 7