

US00D967183S

(12) **United States Design Patent** (10) **Patent No.:** **US D967,183 S**  
**Yoshizawa et al.** (45) **Date of Patent:** **\*\* Oct. 18, 2022**

(54) **DISPLAY SCREEN WITH ANIMATED GRAPHICAL USER INTERFACE**

D667,422 S \* 9/2012 Elliott ..... D14/488  
D684,181 S \* 6/2013 Carpenter ..... D14/489  
D698,363 S \* 1/2014 Asai ..... D14/488

(71) Applicant: **Mitsubishi Electric Corporation,**  
Tokyo (JP)

(Continued)

(72) Inventors: **Hitoshi Yoshizawa,** Tokyo (JP);  
**Hirohiko Higuchi,** Tokyo (JP); **Kyoko Yajima,** Tokyo (JP); **Shohei Yoshida,** Tokyo (JP); **Hiroshi Moriyasu,** Tokyo (JP); **Makoto Katsukura,** Tokyo (JP)

OTHER PUBLICATIONS

Icon Solid. "Circle." The Noun Project, published Feb. 5, 2014 (Retrieved from the Internet Dec. 15, 2021). Internet URL: <https://thenounproject.com/icon/circle-32460/> (Year: 2014).\*

(Continued)

(73) Assignee: **Mitsubishi Electric Corporation,**  
Tokyo (JP)

*Primary Examiner* — Rachel A. Voorhies

(74) *Attorney, Agent, or Firm* — Stuebaker & Brackett PC

(\*\*) Term: **15 Years**

(21) Appl. No.: **29/741,072**

(57) **CLAIM**

The ornamental design for a display screen with animated graphical user interface, as shown and described.

(22) Filed: **Jul. 9, 2020**

(30) **Foreign Application Priority Data**

**DESCRIPTION**

Jan. 31, 2020 (JP) ..... 2020-001822 D  
Jan. 31, 2020 (JP) ..... 2020-001823 D

(51) **LOC (13) Cl.** ..... **14-04**

(52) **U.S. Cl.**  
USPC ..... **D14/489**

(58) **Field of Classification Search**  
USPC ..... D14/485-495  
CPC ..... H04N 1/00424; G06F 3/04817; G06F 3/0481; G06T 13/80; G06T 15/02; H04M 1/724-72484; A63F 2300/308; A63F 13/53

See application file for complete search history.

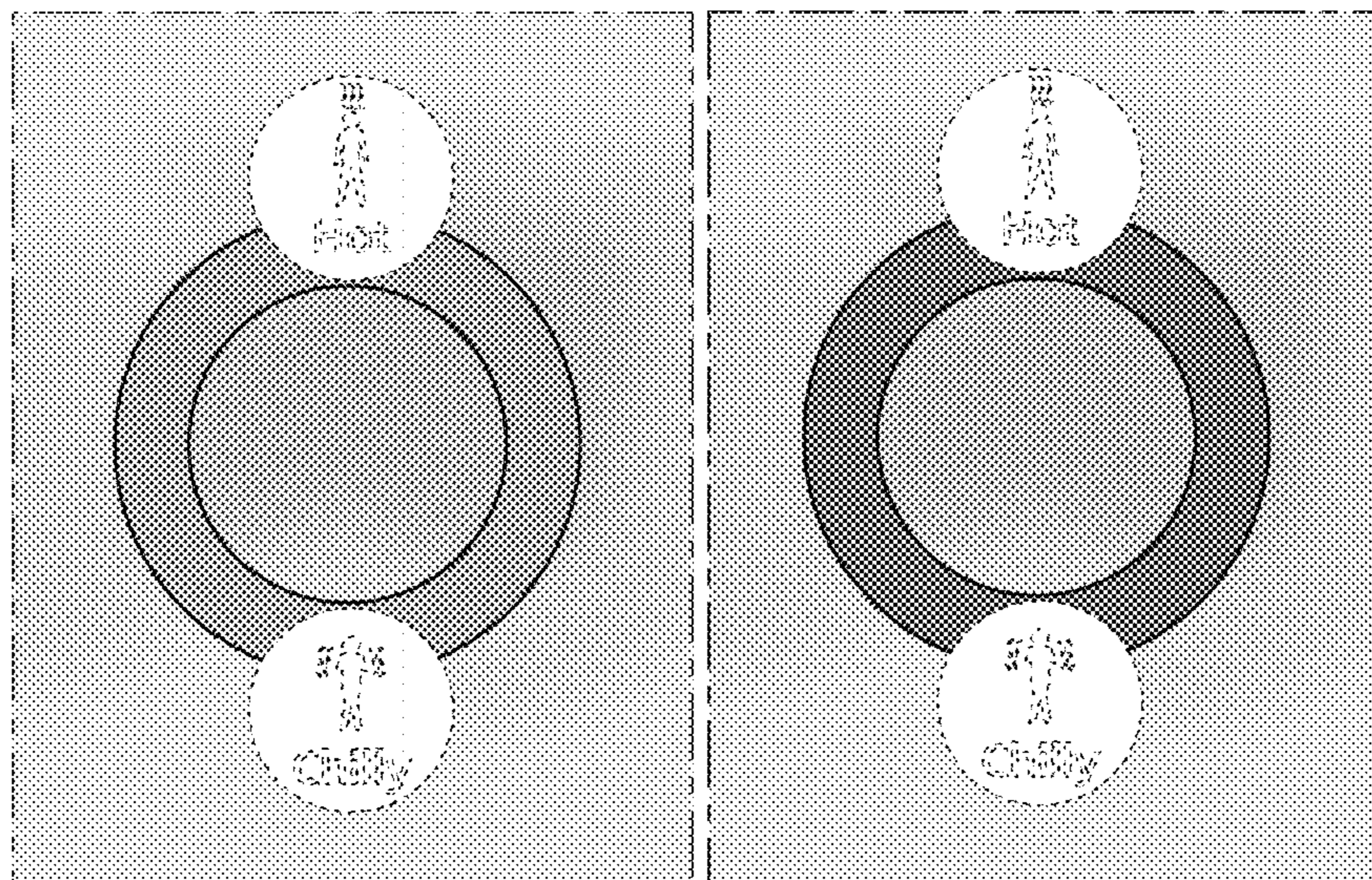
FIG. 1. is a front view of a display screen with animated graphical user interface showing our new design; FIG. 2. is an enlarged view taken from the area indicated by dot-dash boundary lines in FIG. 1, showing the first image in a sequence; and, FIG. 3. is a front view showing a second image thereof. The appearance of the animated graphical user interface sequentially transitions between the images shown in FIGS. 2-3. The process or period in which one image transitions to another image forms no part of the claimed design. The outer peripheral dash-dash broken lines illustrate a display screen or portion thereof and form no part of the claimed design. The remaining dash-dash broken lines illustrate portions of the graphical user interface that form no part of the claimed design. The dash-dot lead line labeled 2 indicates the area from which the enlargement in FIG. 2 is taken. The remaining dash-dot broken lines define the bounds of the claimed design and form no part thereof.

(56) **References Cited**

U.S. PATENT DOCUMENTS

D540,342 S \* 4/2007 Cummins ..... D14/487  
D546,334 S \* 7/2007 Seo ..... D14/485  
D661,703 S \* 6/2012 Okumura ..... D14/489

**1 Claim, 3 Drawing Sheets**



(56)

References Cited

U.S. PATENT DOCUMENTS

D706,291 S \* 6/2014 Yang ..... D14/489  
 D736,807 S \* 8/2015 Lee ..... D14/486  
 D755,205 S \* 5/2016 Sanderson ..... G06F 9/451  
 D756,379 S \* 5/2016 Apodaca ..... G06F 3/04817  
 D771,060 S \* 11/2016 Miyazaki ..... D14/485  
 D775,141 S \* 12/2016 Chaplin ..... H04M 1/72469  
 D781,911 S \* 3/2017 Tegethoff ..... D14/489  
 D781,912 S \* 3/2017 Napper ..... D14/489  
 D795,278 S \* 8/2017 Okada ..... D14/486  
 D824,924 S \* 8/2018 Phillips ..... D14/485  
 D826,247 S \* 8/2018 Hu ..... D14/486  
 D837,257 S \* 1/2019 Wen ..... D14/489  
 10,263,802 B2 \* 4/2019 Burns ..... H04L 12/282  
 D855,646 S \* 8/2019 Hohne ..... D14/487  
 D903,711 S \* 12/2020 Saule ..... D14/489  
 D910,658 S \* 2/2021 Chaudhri ..... D14/485  
 D916,726 S \* 4/2021 Sakuma ..... D14/485  
 D945,437 S \* 3/2022 Lee ..... D14/485  
 D945,455 S \* 3/2022 Ko ..... D14/489  
 D945,460 S \* 3/2022 Gu ..... D14/486  
 2005/0122315 A1 \* 6/2005 Chalk ..... H04M 1/72469  
 345/173  
 2005/0231512 A1 \* 10/2005 Niles ..... G06T 13/00  
 345/473

2008/0098328 A1 \* 4/2008 Rollin ..... G06F 3/04817  
 715/810  
 2012/0096383 A1 \* 4/2012 Sakamoto ..... G06F 9/451  
 715/772  
 2016/0110317 A1 \* 4/2016 Tashman ..... G06F 3/04842  
 715/784

OTHER PUBLICATIONS

Muskara, Ayse, "circle in circle." The Noun Project, published Jan. 19, 2016 (Retrieved from the Internet Dec. 15, 2021). Internet URL: <<https://thenounproject.com/icon/circle-in-circle-318506/>> (Year: 2016).\*

Yu, Ryan. "Smoke transition effect." Dribbble, published Oct. 3, 2018 (Retrieved from the Internet Mar. 11, 2022). Internet URL: <<https://dribbble.com/shots/5343701-Smoke-transition-effect>> (Year: 2018).\*

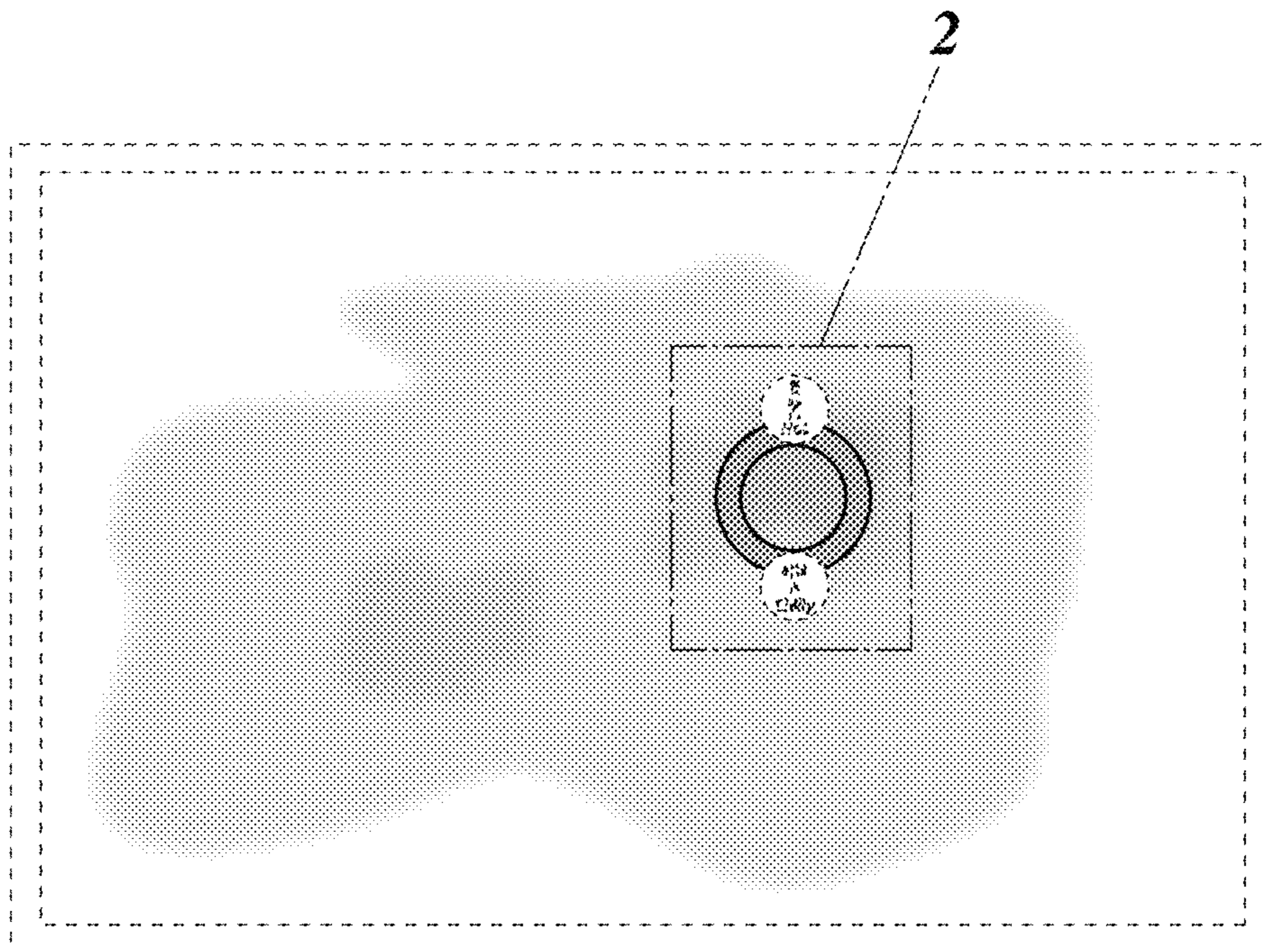
Ienapix. "Illuminated Blue Round Frame Background." 123rtf, published Jun. 30, 2019 (Retrieved from the Internet Mar. 11, 2022). Internet URL: <[https://www.123rf.com/photo\\_122782440\\_illuminated-blue-round-frame-background-neon-lights-background-with-smoke-effect-bright-glowing-circ.html](https://www.123rf.com/photo_122782440_illuminated-blue-round-frame-background-neon-lights-background-with-smoke-effect-bright-glowing-circ.html)> (Year: 2019).\*

Newton, Ben. "More 3D Boxes." Dribbble, published Jul. 5, 2020 (Retrieved from the Internet Mar. 11, 2022). Internet URL: <<https://dribbble.com/shots/12842537-More-3D-Boxes>> (Year: 2020).\*

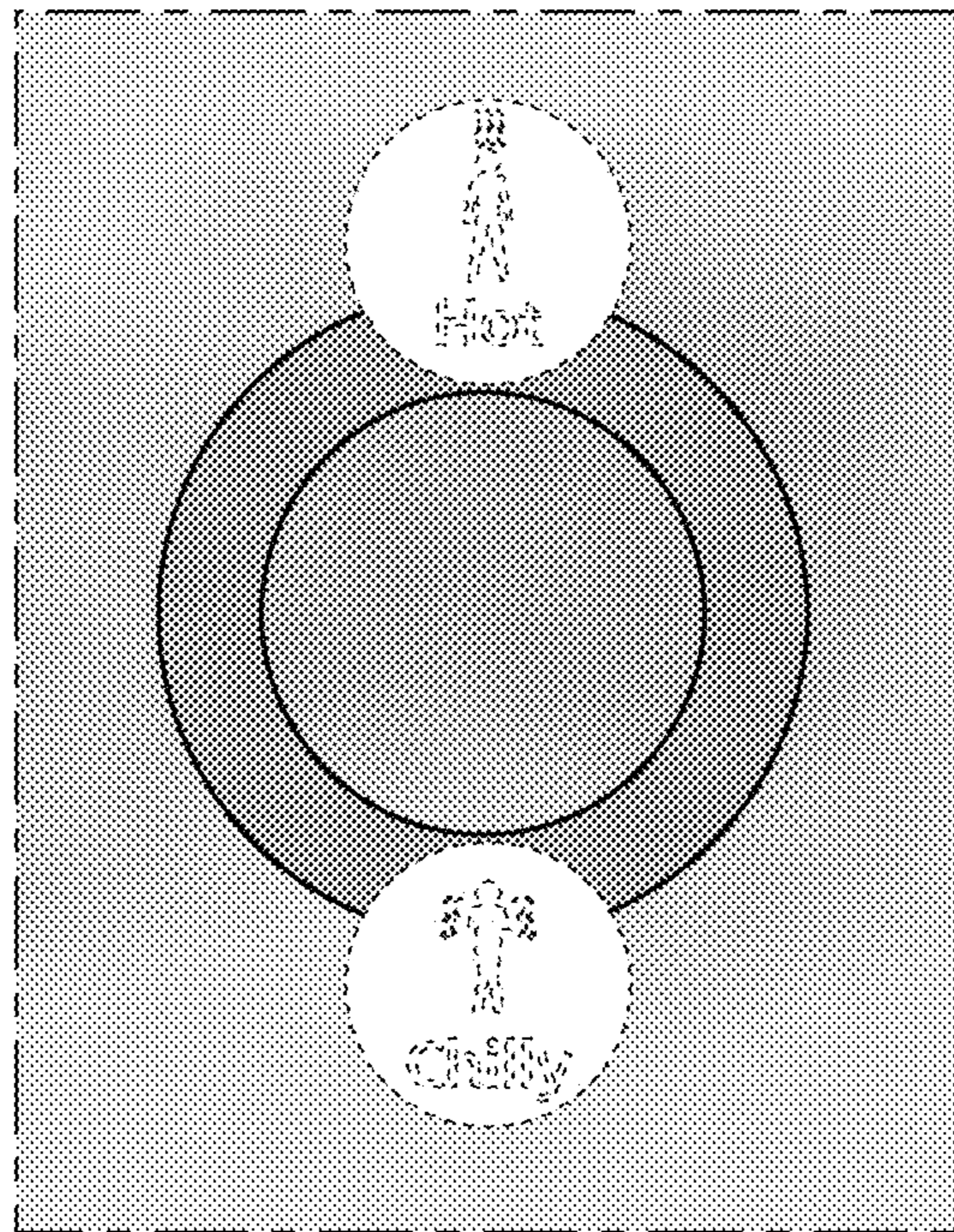
Support.com Tech Pro Team. "How to Reset a Nest Hello Video Doorbell." TechSolutions, published Oct. 31, 2020 (Retrieved from the Internet Dec. 14, 2021). Internet URL: <<https://www.techsolutions.support.com/how-to/how-to-reset-a-nest-hello-video-doorbell-11995>> (Year: 2020).\*

\* cited by examiner

**FIG. 1**



**FIG. 2**



*FIG. 3*

