



US00D967165S

(12) **United States Design Patent**
Bradberry

(10) **Patent No.:** **US D967,165 S**
(45) **Date of Patent:** **** Oct. 18, 2022**

(54) **DISPLAY PANEL PORTION WITH AN ANIMATED COMPUTER ICON**

(71) Applicant: **Sanofi**, Paris (FR)

(72) Inventor: **Pippa Bradberry**, Boston, MA (US)

(73) Assignee: **Rightpoint Consulting, LLC**, Chicago, IL (US)

(**) Term: **15 Years**

(21) Appl. No.: **29/771,923**

(22) Filed: **Feb. 25, 2021**

(51) **LOC (13) Cl.** **14-04**

(52) **U.S. Cl.**
USPC **D14/486**

(58) **Field of Classification Search**
USPC D14/485-495
CPC A61M 2005/3126; A61M 2205/502
See application file for complete search history.

(56) **References Cited**

U.S. PATENT DOCUMENTS

D766,927 S *	9/2016	Li	D14/485
D810,125 S *	2/2018	Forsblom	D14/492
D823,340 S *	7/2018	Seo	D14/491
D866,570 S *	11/2019	Burroughs	D14/485
D910,708 S *	2/2021	Broughton	D14/491
D935,478 S *	11/2021	Shaviv	D14/486
D947,889 S *	4/2022	Lynch	D14/488
D949,195 S *	4/2022	Lynch	D14/488
D951,290 S *	5/2022	Hart	D14/488

OTHER PUBLICATIONS

Entwurfreich Team, Cactus Insulin Management, Sep. 7, 2012, behance.net, retrieved May 17, 2022, available at <https://www.behance.net/gallery/5075829/CACTUS-Insulin-Management> (Year: 2012).*

Zelenko, Dmitry, Pharmacy online concept, May 6, 2019, dribbble.com, retrieved May 17, 2022, available at <https://dribbble.com/shots/6443919-Pharmacy-Online-Concept-App> (Year: 2019).*

* cited by examiner

Primary Examiner — Katherine A Holbrow

(74) *Attorney, Agent, or Firm* — Fish & Richardson P.C.

(57) **CLAIM**

The ornamental design for a display panel portion with an animated computer icon, substantially as shown and described.

DESCRIPTION

FIG. 1 is a first image in a sequence for the display panel portion with an animated computer icon.

FIG. 2 is second image in the sequence thereof.

FIG. 3 is a third image in the sequence thereof.

FIG. 4 is a fourth image in the sequence thereof.

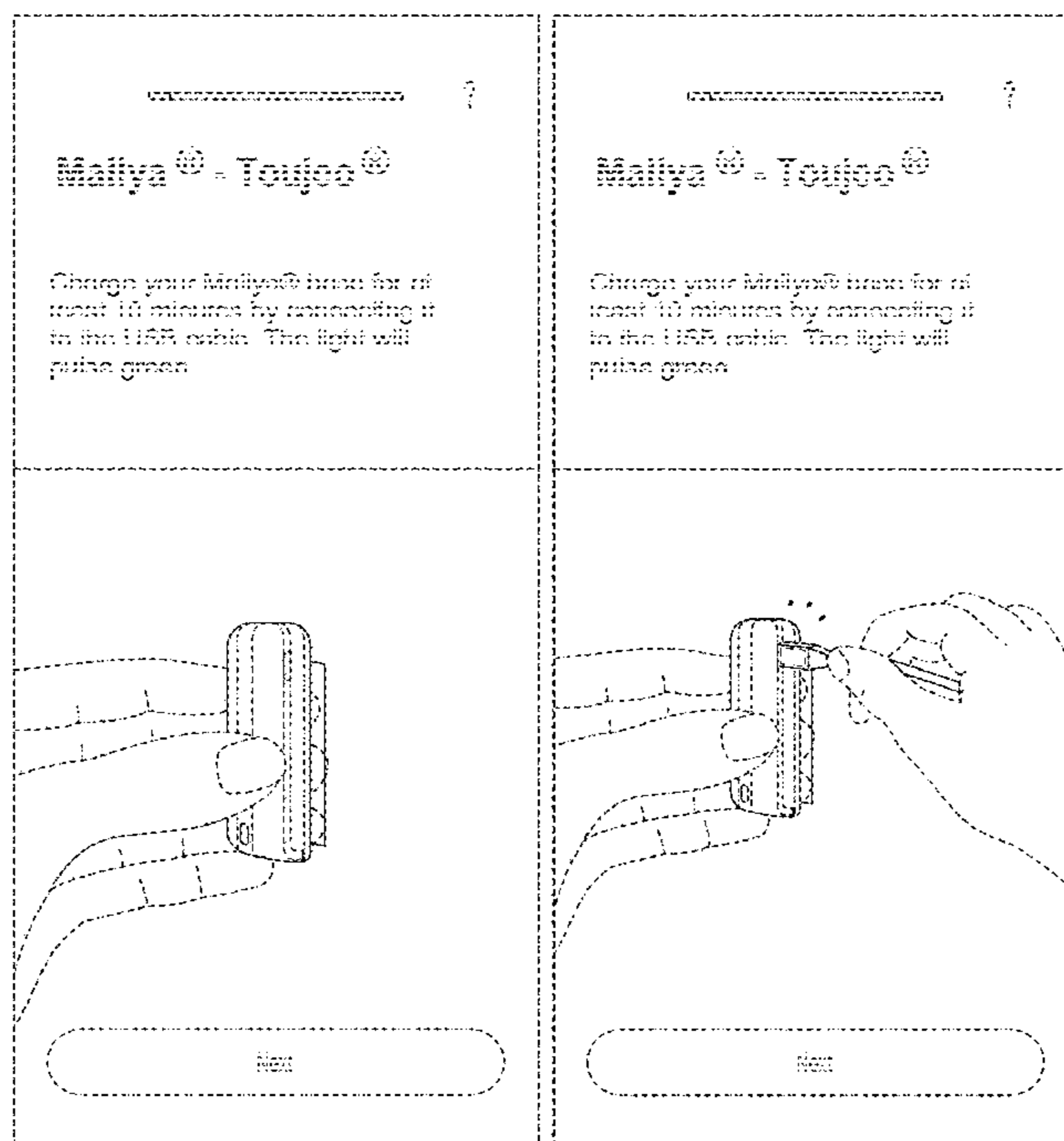
FIG. 5 is a fifth image in the sequence thereof; and,

FIG. 6 is a sixth image in the sequence thereof.

The appearance of the transitional image sequentially transitions between the images shown in FIGS. 1-6. The process or period in which one image transitions to another image forms no part of the claimed design.

The broken lines showing a portion of a display panel and portions of the animated computer icon in FIGS. 1-6 form no part of the claimed design.

1 Claim, 6 Drawing Sheets



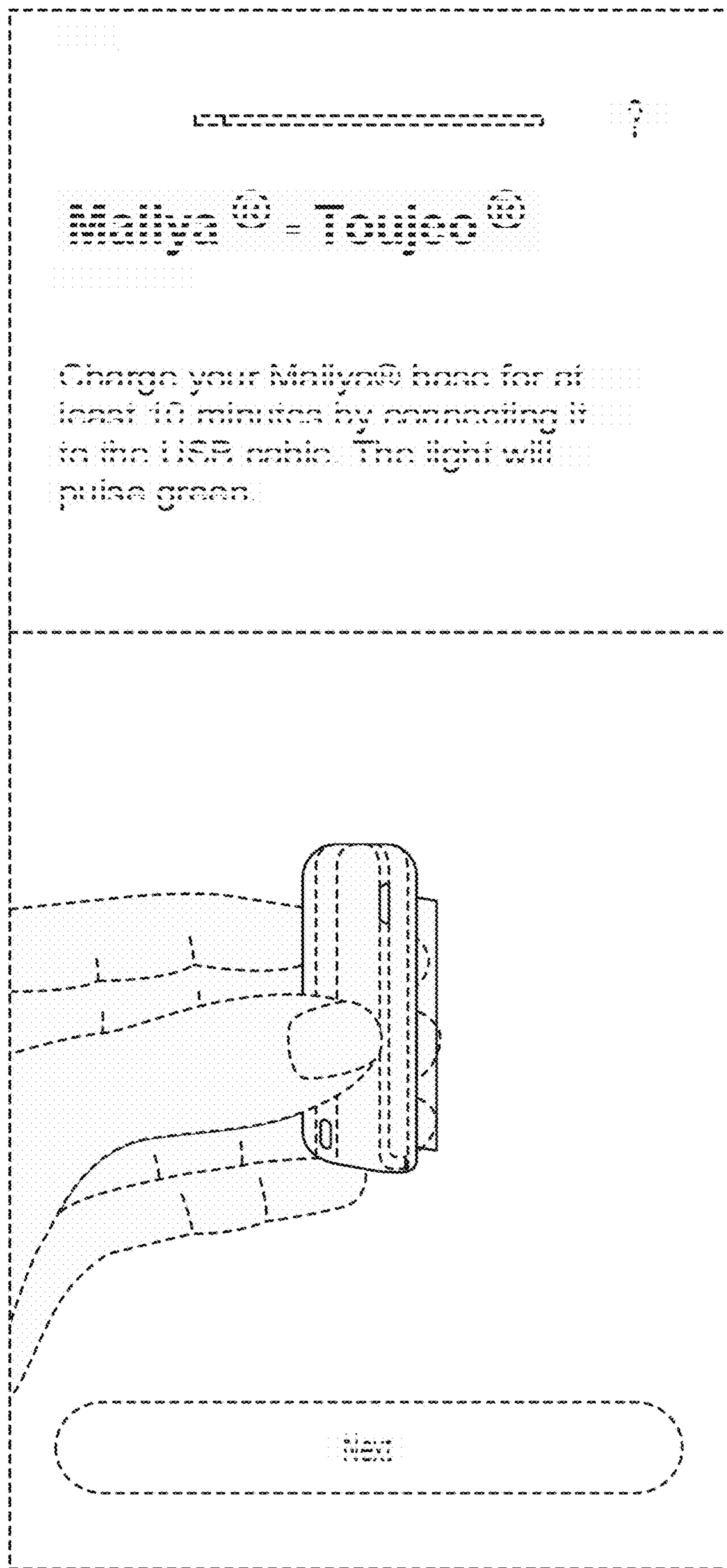


FIG. 1

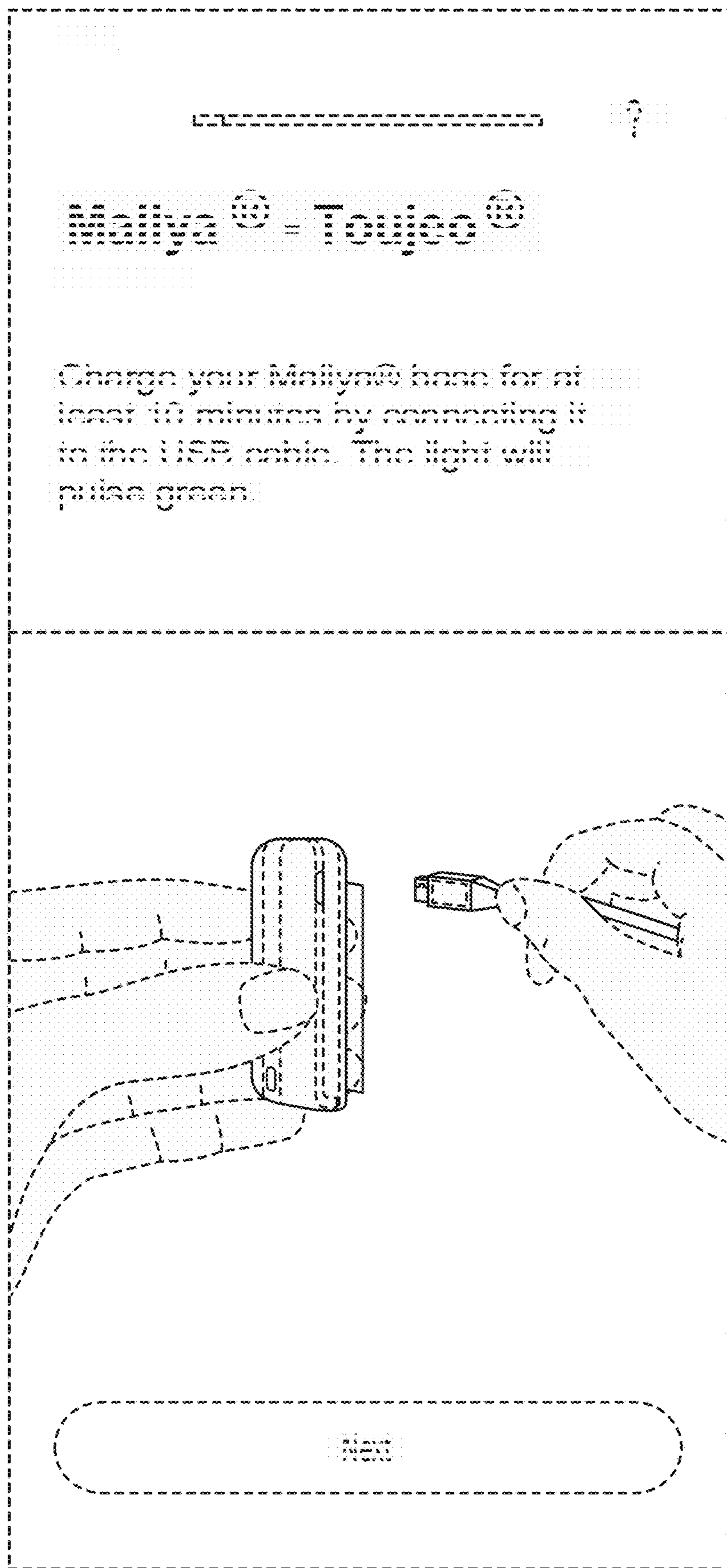


FIG. 2

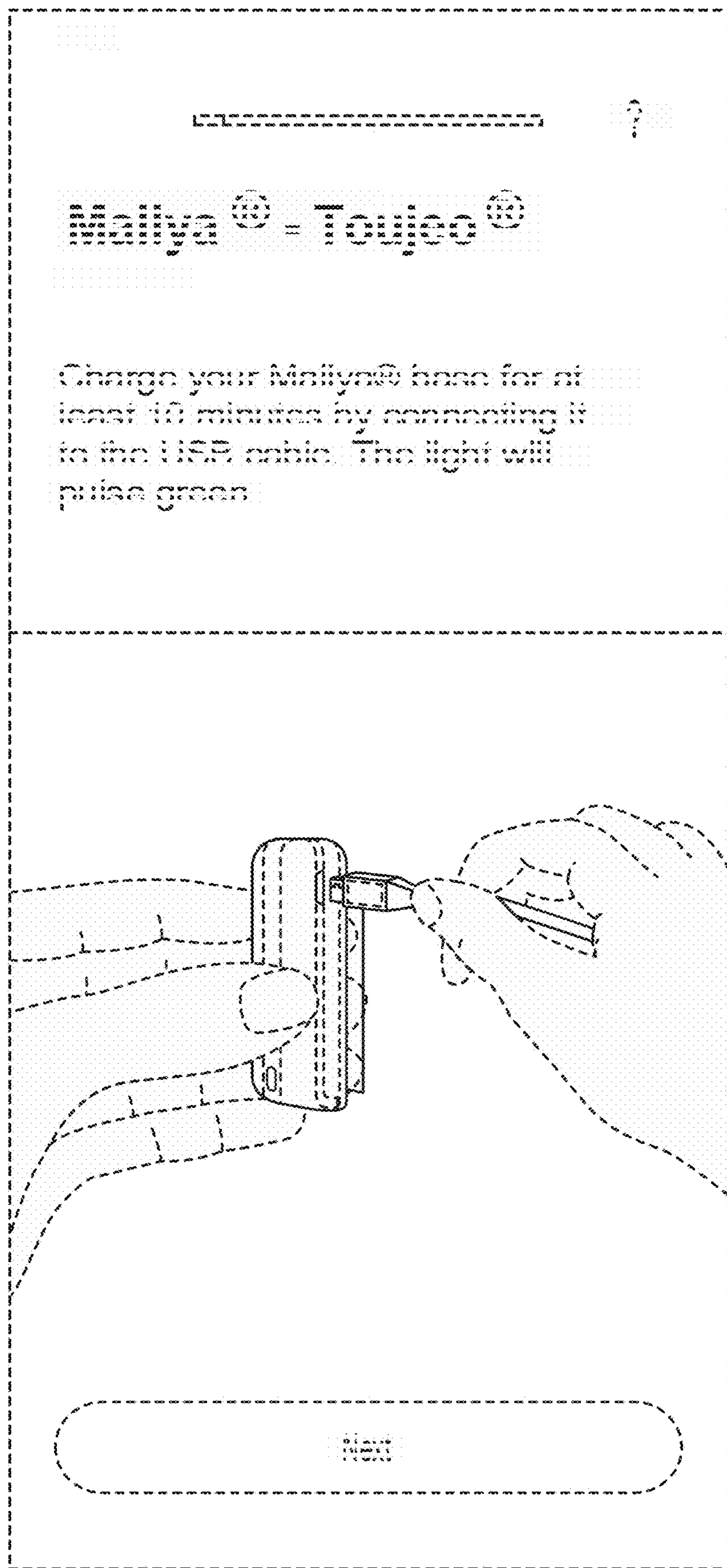


FIG. 3

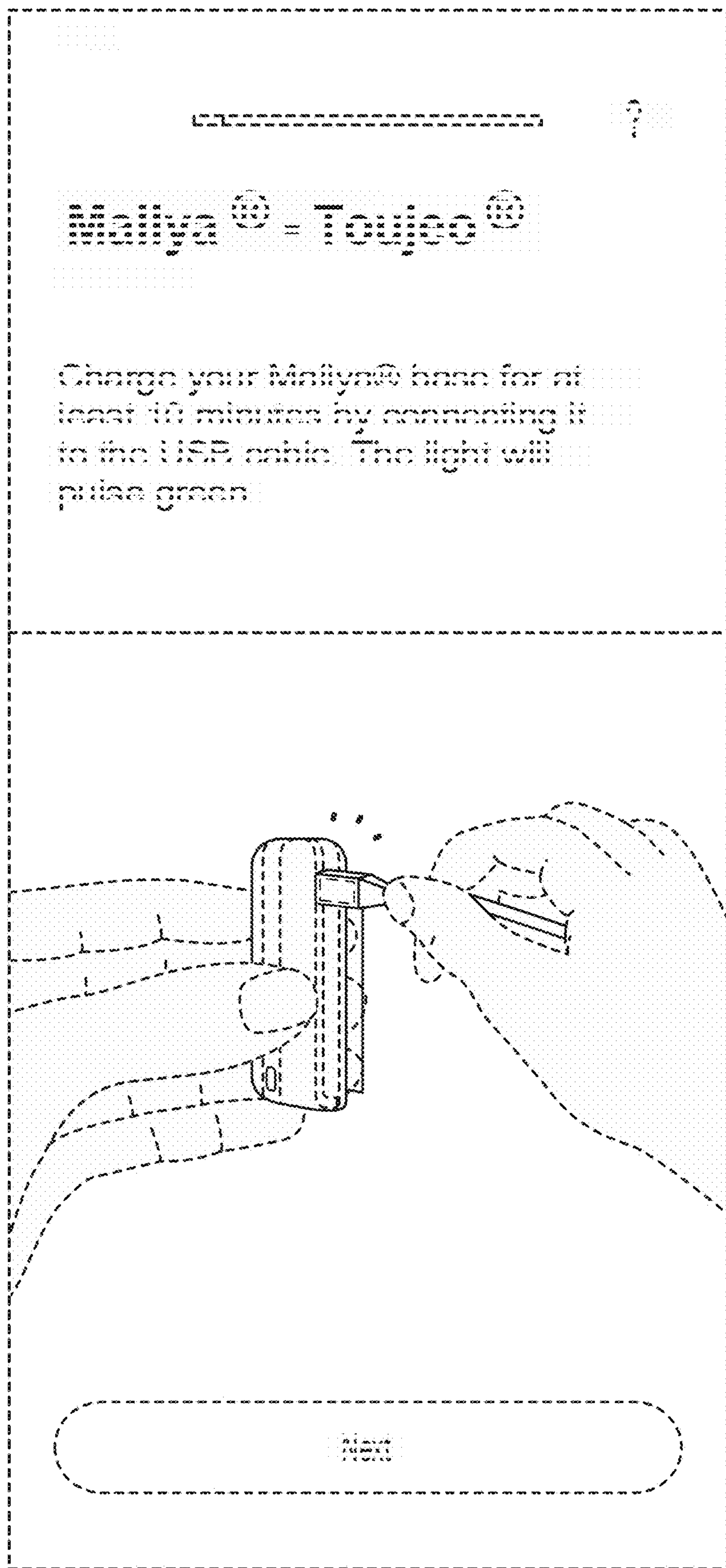


FIG. 4

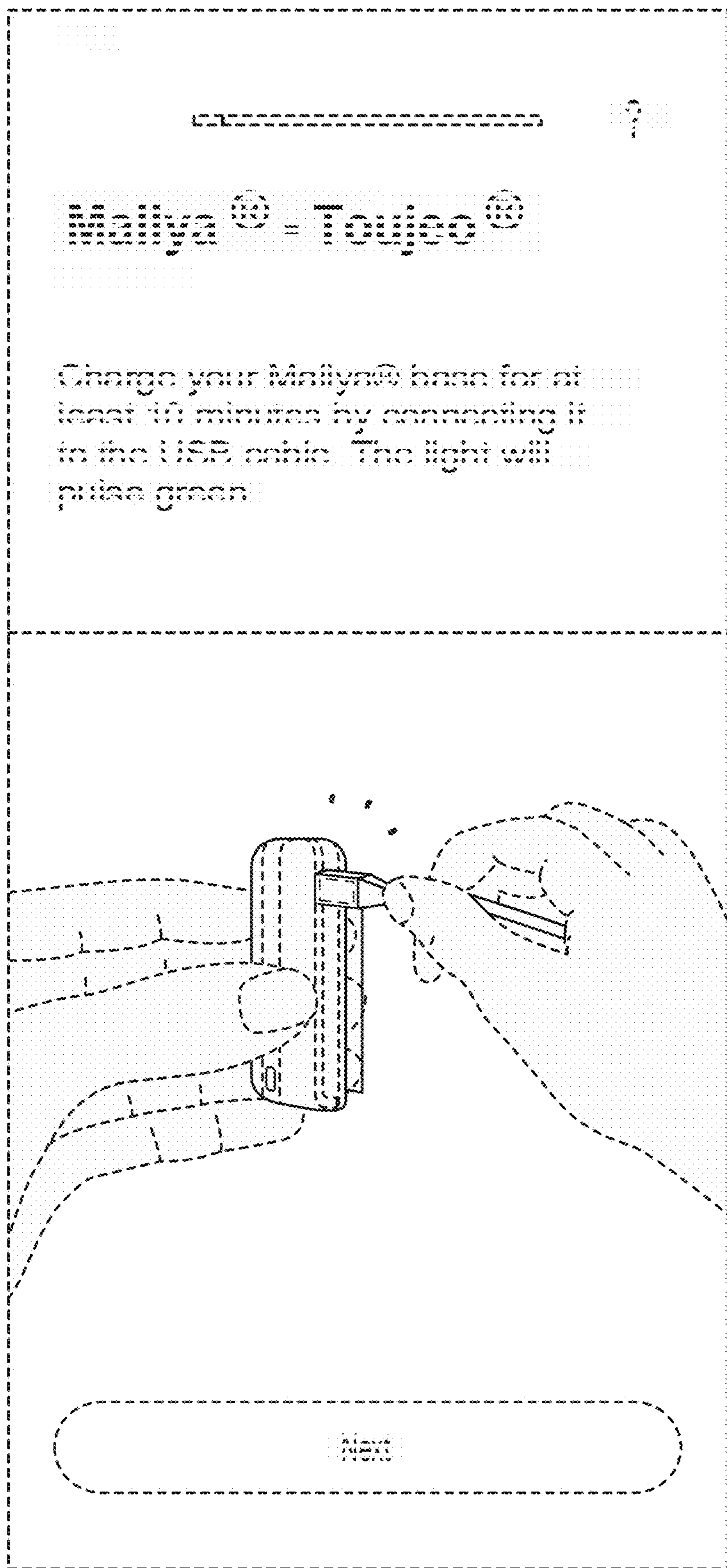


FIG. 5

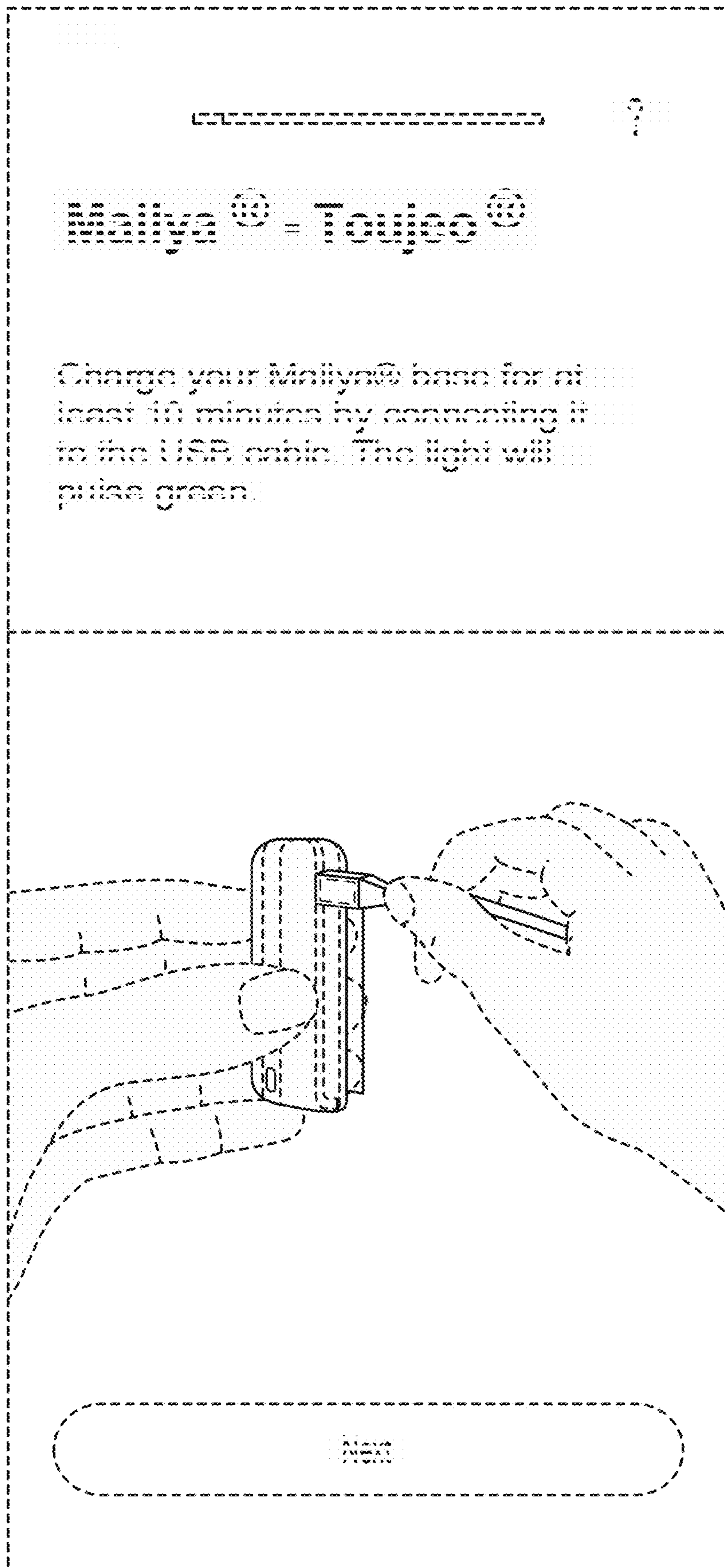


FIG. 6