

US00D967154S

(12) **United States Design Patent** (10) **Patent No.:** **US D967,154 S**
Hopper et al. (45) **Date of Patent:** **** Oct. 18, 2022**

(54) **DISPLAY SCREEN OR PORTION THEREOF WITH A GRAPHICAL USER INTERFACE**

(71) Applicant: **Robert Bosch Tool Corporation**, Broadview, IL (US)

(72) Inventors: **Brittany Hopper**, Chicago, IL (US); **Kevin Zirkelbach**, Racine, WI (US); **Jay Harris**, Waterford, WI (US)

(73) Assignee: **ROBERT BOSCH TOOL CORPORATION**, Broadview, IL (US)

(**) Term: **15 Years**

(21) Appl. No.: **29/711,172**

(22) Filed: **Oct. 29, 2019**

Related U.S. Application Data

(60) Division of application No. 29/629,469, filed on Dec. 13, 2017, now Pat. No. Des. 868,808, which is a continuation of application No. 29/618,184, filed on Sep. 19, 2017, now Pat. No. Des. 869,476.

(51) **LOC (13) Cl.** **14-04**

(52) **U.S. Cl.**
USPC **D14/486**

(58) **Field of Classification Search**
USPC D14/485-488, 489-495
CPC G06F 3/048; G06F 3/0481; G06F 3/04817; G06F 3/0482; G06F 3/0483; G06F 3/04842; G06F 3/0485; G06F 3/04855; G06F 3/0486; G06F 3/0488; G06F 3/04886; G06F 9/451; G06F 40/103; G06F 40/106; G06F 40/189; G06F 40/191

See application file for complete search history.

(56) **References Cited**

U.S. PATENT DOCUMENTS

D577,734 S * 9/2008 Ryu D14/486
D599,813 S * 9/2009 Hirsch D14/488

D624,556 S * 9/2010 Chaudhri D14/486
D625,317 S 10/2010 Jewitt
D717,332 S * 11/2014 Nies D14/486
D753,161 S * 4/2016 Utsugida D14/486
D758,424 S 6/2016 Ding
D774,052 S 12/2016 Gedrich
D785,029 S * 4/2017 Gedrich D14/486
D801,373 S 10/2017 Vaglio
D804,521 S 12/2017 Deets, Jr.
D808,397 S 1/2018 Beaty

(Continued)

OTHER PUBLICATIONS

Dremel Operating and Safety Instructions, B&H Photo Video [online], published Mar. 27, 2018, [retrieved on Feb. 10, 2022]. Retrieved from the Internet, URL: https://www.bhphotovideo.com/lit_files/606252.pdf.*

(Continued)

Primary Examiner — Nicole C Shiflet

(74) *Attorney, Agent, or Firm* — Norton Rose Fulbright US LLP; Gerard Messina

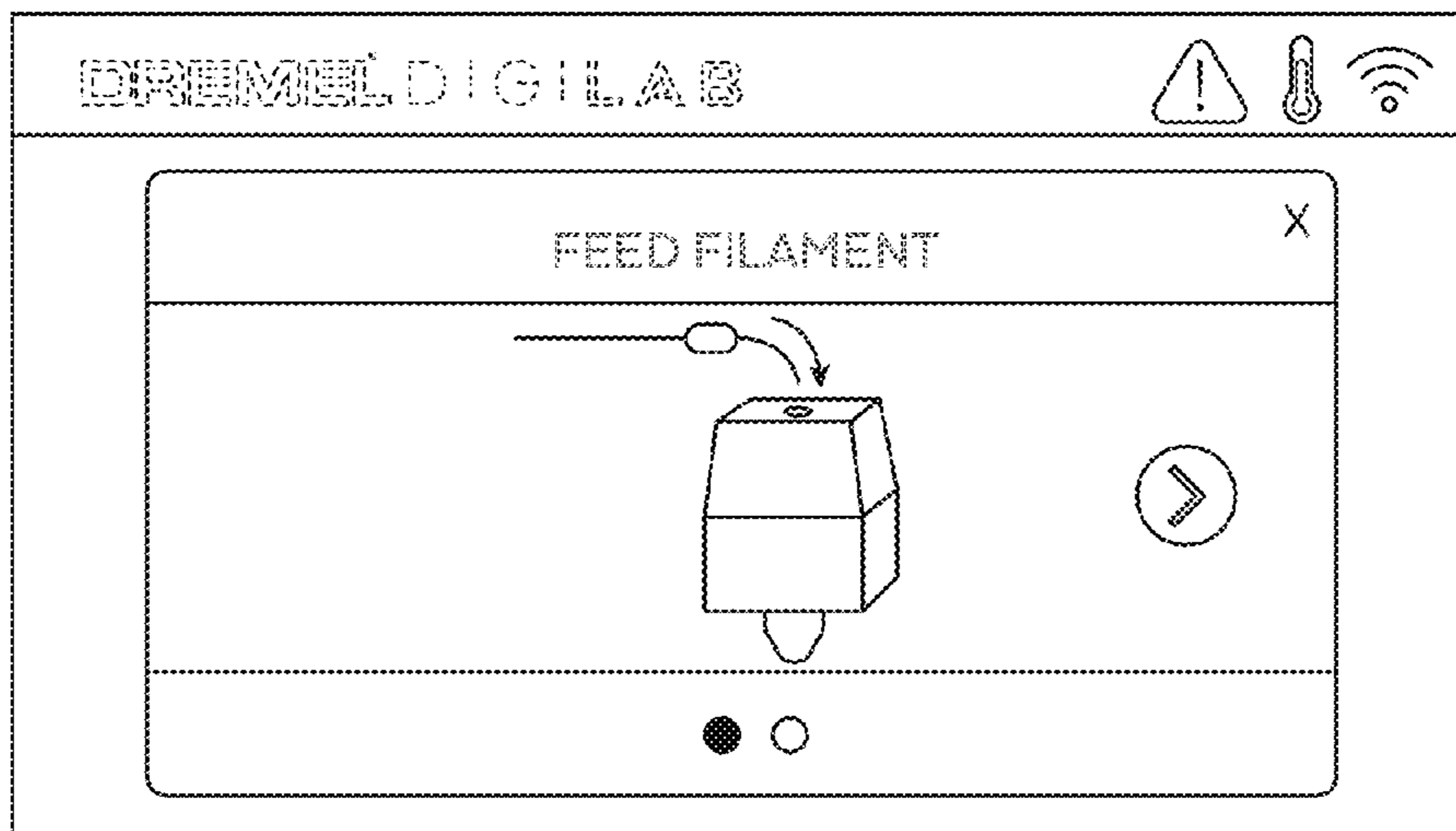
(57) **CLAIM**

The ornamental design for a display screen or portion thereof with a graphical user interface, as shown and described.

DESCRIPTION

FIG. 1 is a front view of a first embodiment of a display screen or portion thereof with a graphical user interface showing our new design; FIG. 2 is a front view of a second embodiment thereof; and, FIG. 3 is a front view of a third embodiment thereof. The outer broken lines showing a display screen or portion thereof form no part of the claimed design. The remaining broken lines showing portions of the graphical user interface form no part of the claimed design.

1 Claim, 3 Drawing Sheets



(56)

References Cited

U.S. PATENT DOCUMENTS

D809,542	S	2/2018	Lu	
D817,348	S	5/2018	Ishikawa	
D819,056	S	5/2018	Nanjappan	
D824,944	S	8/2018	Sagrillo	
D831,684	S	10/2018	Ghosh	
D835,657	S	12/2018	Anzures	
D868,808	S *	12/2019	Hopper	D14/486
D869,476	S *	12/2019	Hopper	D14/485
D894,918	S *	9/2020	Hopper	D14/492
D921,675	S *	6/2021	Kmak	D14/486
D921,676	S *	6/2021	Kmak	D14/486
D925,570	S *	7/2021	Spiegel	D14/486
D934,900	S *	11/2021	Ranka	D14/488
2011/0288868	A1	11/2011	Lloyd	

OTHER PUBLICATIONS

Dremel 3D45: Getting started, by Dremel UK, YouTube [online], published Feb. 6, 2018, [retrieved on Feb. 10, 2022]. Retrieved from the Internet, URL: <https://www.youtube.com/watch?v=CVvQgGqvm6A>.*

* cited by examiner

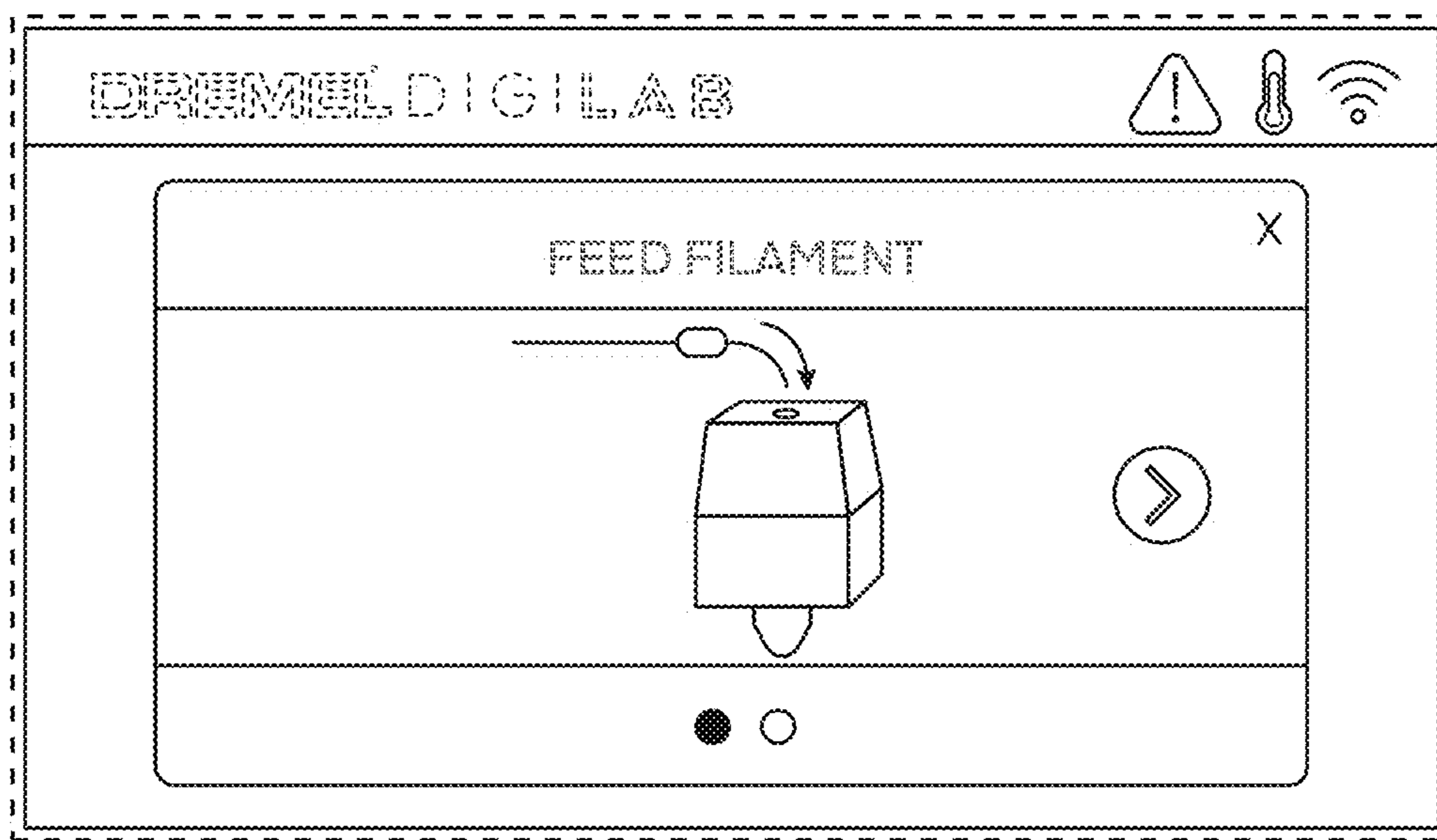


FIG. 1

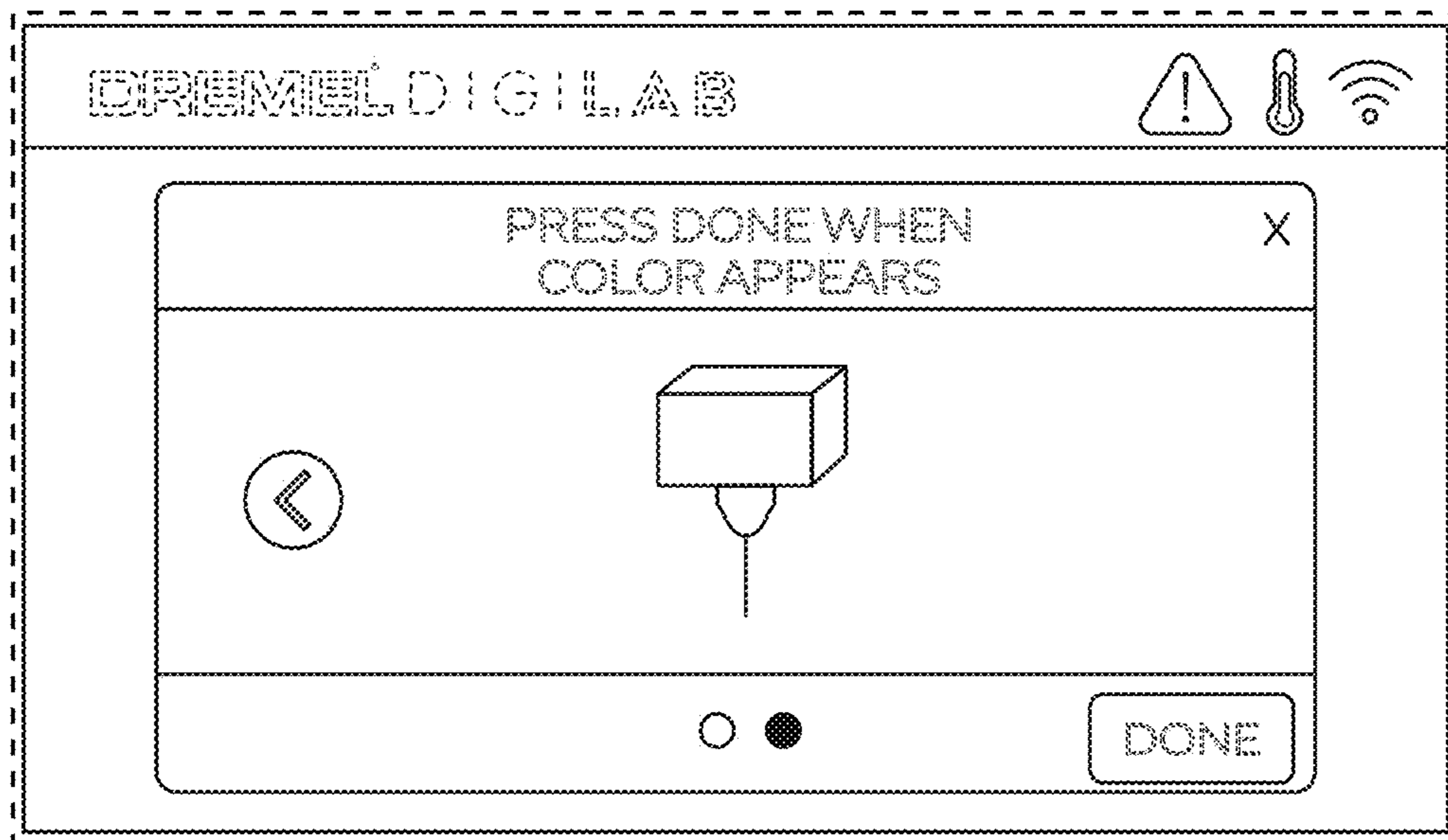


FIG. 2

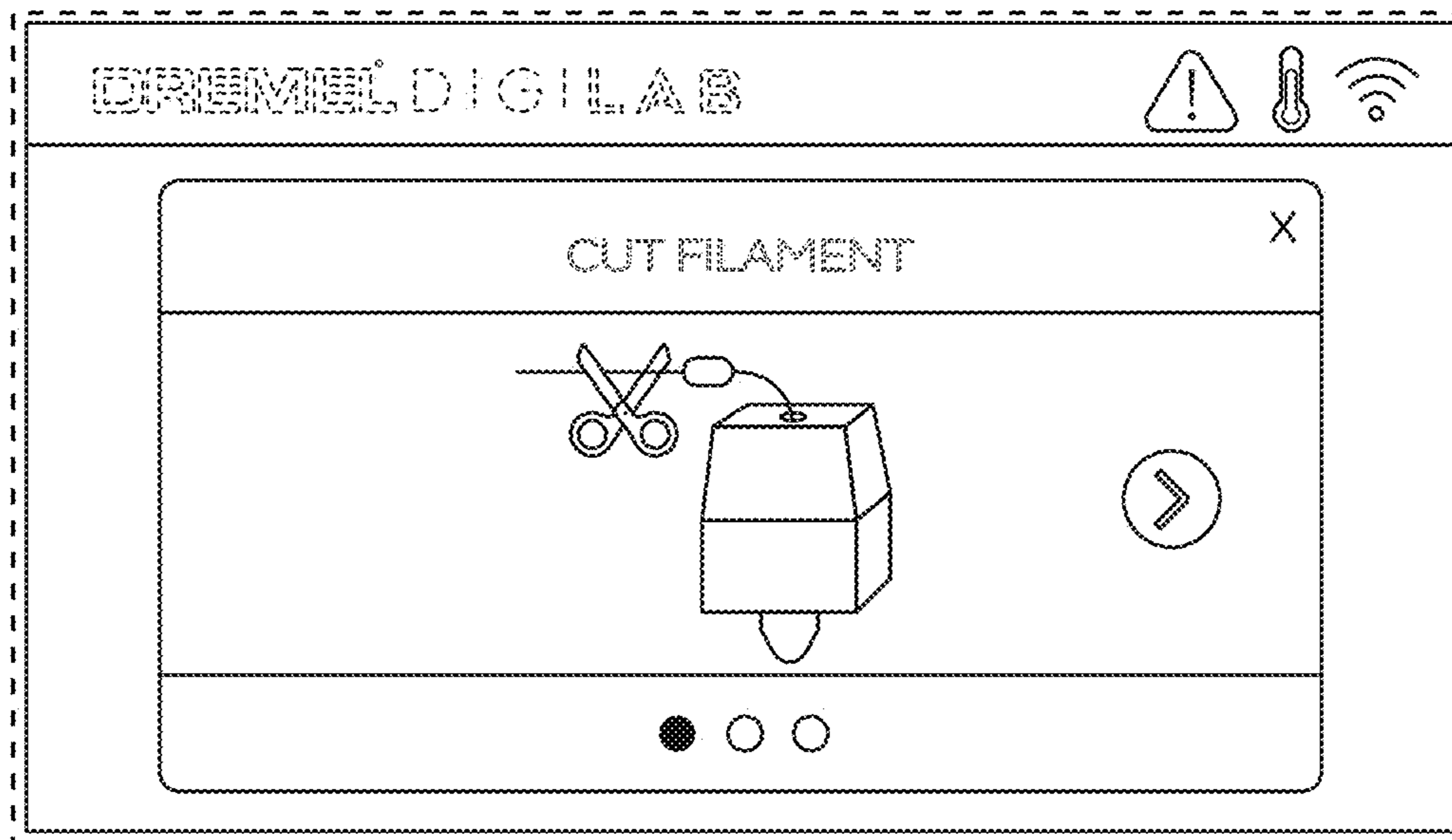


FIG. 3