



US00D967133S

(12) **United States Design Patent**
Lee et al.

(10) **Patent No.:** **US D967,133 S**
(45) **Date of Patent:** **** Oct. 18, 2022**

(54) **ELECTRONIC DEVICE WITH
TRANSITIONAL GRAPHICAL USER
INTERFACE**

D800,745 S * 10/2017 Kyakuno D14/486
D804,519 S * 12/2017 Kim D14/488
D805,100 S * 12/2017 Kim D14/488

(Continued)

(71) Applicant: **Samsung Electronics Co., Ltd.**,
Suwon-si (KR)

OTHER PUBLICATIONS

(72) Inventors: **Jihyun Lee**, Suwon-si (KR); **Jina Lee**,
Suwon-si (KR)

Samsung's One UI 3.3.1 Is Bringing Next-Level Foldable Experiences . . . , Samsung Newsroom [online], published Aug. 31, 2021, [retrieved on May 19, 2022]. Retrieved from the Internet, URL: <https://news.samsung.com/global/samsungs-one-ui-3-1-1-is-bringing-next-level-foldable-experiences-to-galaxy-z-series-users>.*

(73) Assignee: **SAMSUNG ELECTRONICS CO., LTD.**, Gyeonggi-Do (KR)

Primary Examiner — Nicole C Shiflet

(**) Term: **15 Years**

(74) *Attorney, Agent, or Firm* — Cantor Colburn LLP

(21) Appl. No.: **29/765,451**

(57) **CLAIM**

(22) Filed: **Jan. 8, 2021**

The ornamental design for an electronic device with transitional graphical user interface, as shown and described.

(30) **Foreign Application Priority Data**

DESCRIPTION

Jul. 24, 2020 (KR) 30-2020-0034427

(51) **LOC (13) Cl.** **14-04**

(52) **U.S. Cl.**
USPC **D14/485**

(58) **Field of Classification Search**
USPC D14/485–495
CPC G06F 3/048; G06F 3/0481; G06F 3/04817;
G06F 3/0482; G06F 3/0483; G06F
3/04842; G06F 3/0485; G06F 3/04855;
G06F 3/0486; G06F 3/0488; G06F
3/04886; G06F 9/451; G06F 40/103;
G06F 40/106; G06F 40/189; G06F
40/191

See application file for complete search history.

FIG. 1 is a front view of an electronic device with transitional graphical user interface showing a first image in a sequence, showing our new design in a state that the electronic device is unfolded;

FIG. 2 is a front view showing a second image thereof, shown in a state that the electronic device is about 60 degrees folded;

FIG. 3 is a perspective view of FIG. 1;

FIG. 4 is a perspective view of FIG. 2;

FIG. 5 is a right-side view of FIG. 1; and,

FIG. 6 is a right-side view of FIG. 2.

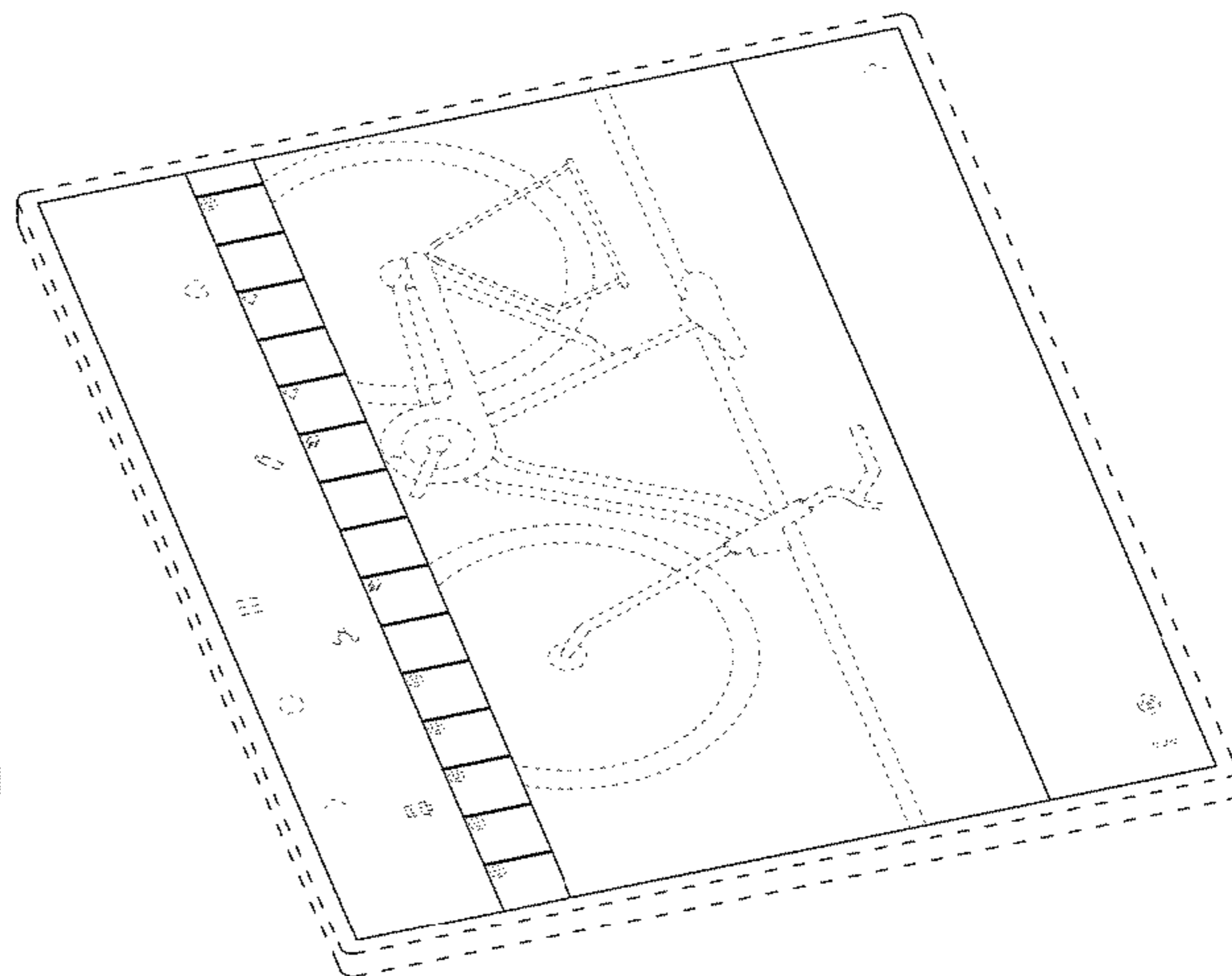
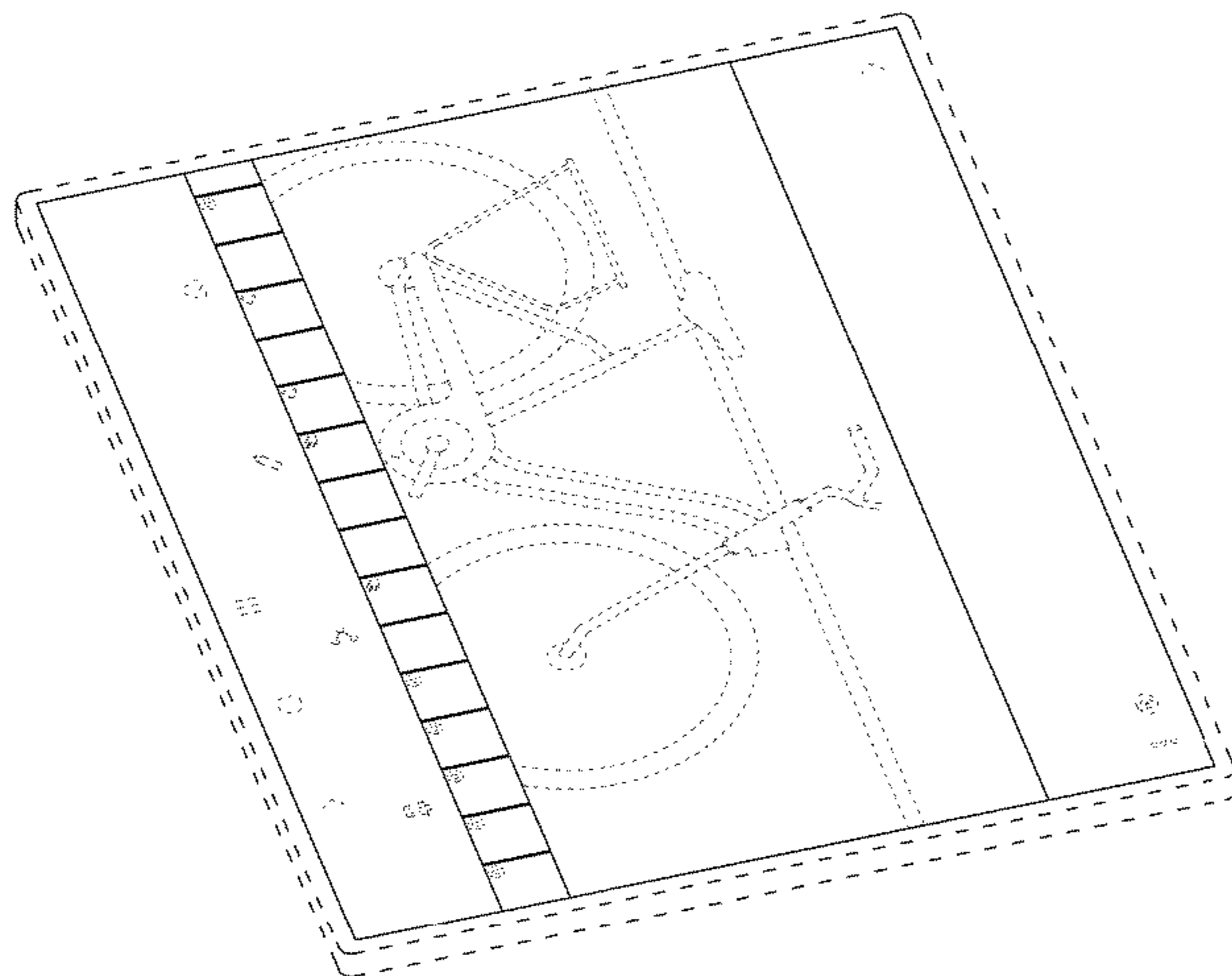
The outermost broken lines illustrating portions of an electronic device form no part of the claimed design. The remainder of the broken lines illustrating portions of the graphical user interface forms no part of the claimed design. The appearance of the transitional graphical user interface sequentially transitions between the images shown in FIGS. 1-2. The process or period in which one image transitions to another image forms no part of the claimed design.

(56) **References Cited**

U.S. PATENT DOCUMENTS

D757,088 S * 5/2016 Moriya D14/488
D768,677 S * 10/2016 Edwards D14/488
D768,707 S * 10/2016 Gagnier D14/488

1 Claim, 6 Drawing Sheets



(56)

References Cited

U.S. PATENT DOCUMENTS

D835,152 S	*	12/2018	McGill	D14/488
D863,342 S	*	10/2019	Clarke	D14/487
D863,344 S	*	10/2019	Ashworth	D14/488
D872,106 S	*	1/2020	Sakuma	D14/485
D879,818 S	*	3/2020	Evans	D14/486
D888,756 S	*	6/2020	Clarke	D14/487
D890,793 S	*	7/2020	Loper	D14/487
D900,145 S	*	10/2020	Malahy	D14/486
D921,672 S	*	6/2021	Behzadi	D14/486
D923,025 S	*	6/2021	Malahy	D14/485
D924,257 S	*	7/2021	Cohen	D14/485
D924,887 S	*	7/2021	Bae	D14/485
D925,567 S	*	7/2021	Hayamizu	D14/486
D925,568 S	*	7/2021	Hayamizu	D14/486
D942,499 S	*	2/2022	Ko	D14/488

* cited by examiner

FIG. 1

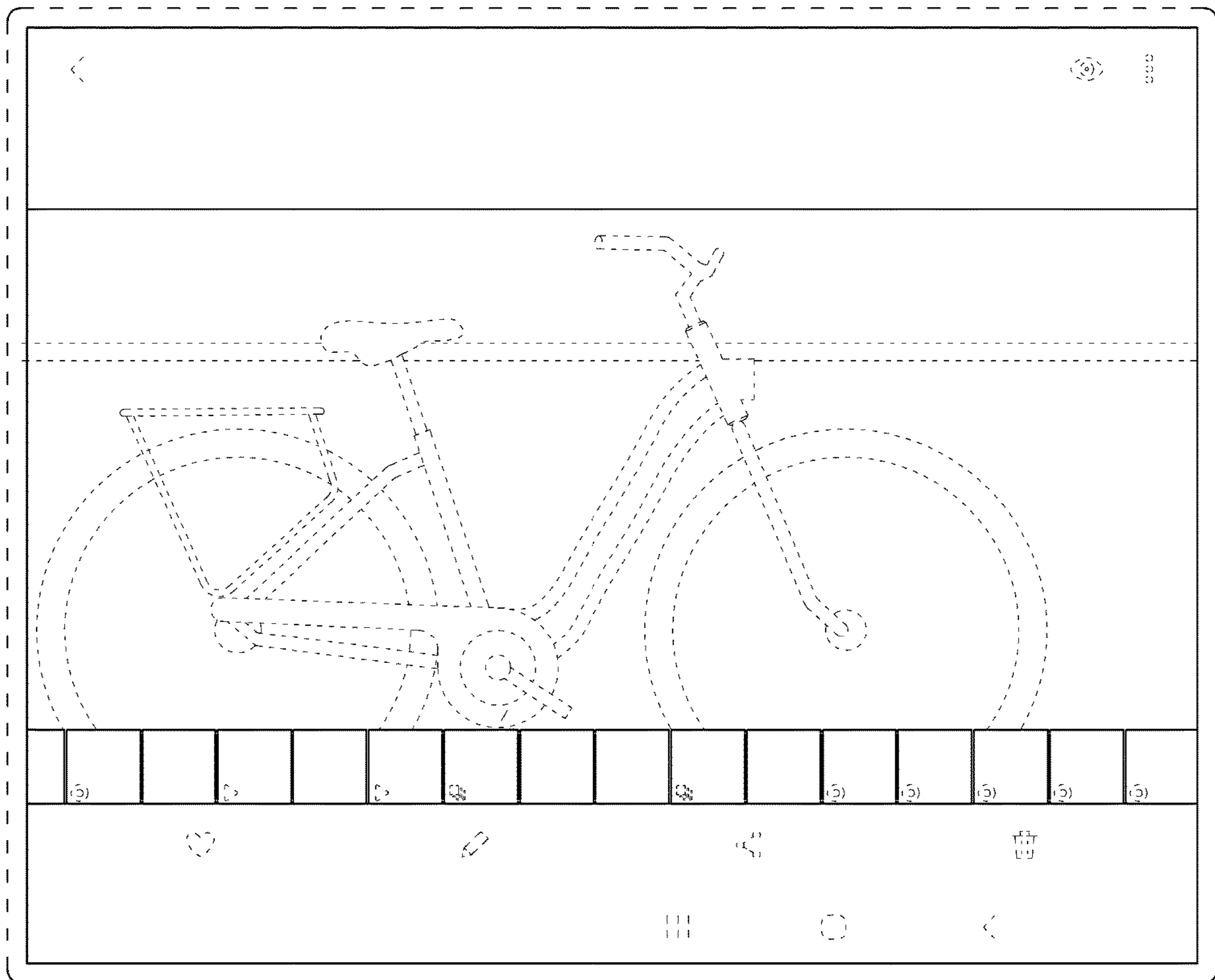


FIG. 2

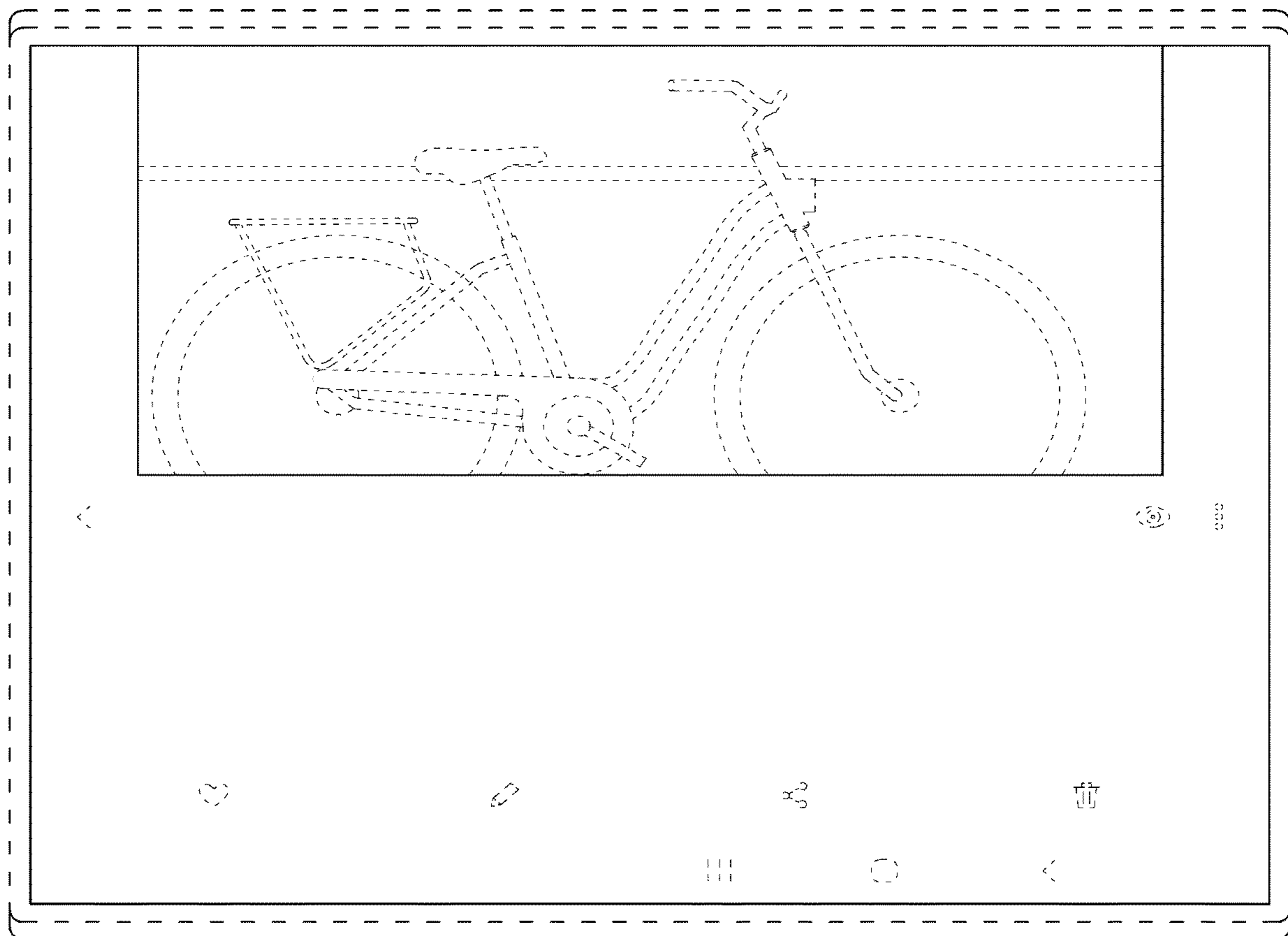


FIG. 3

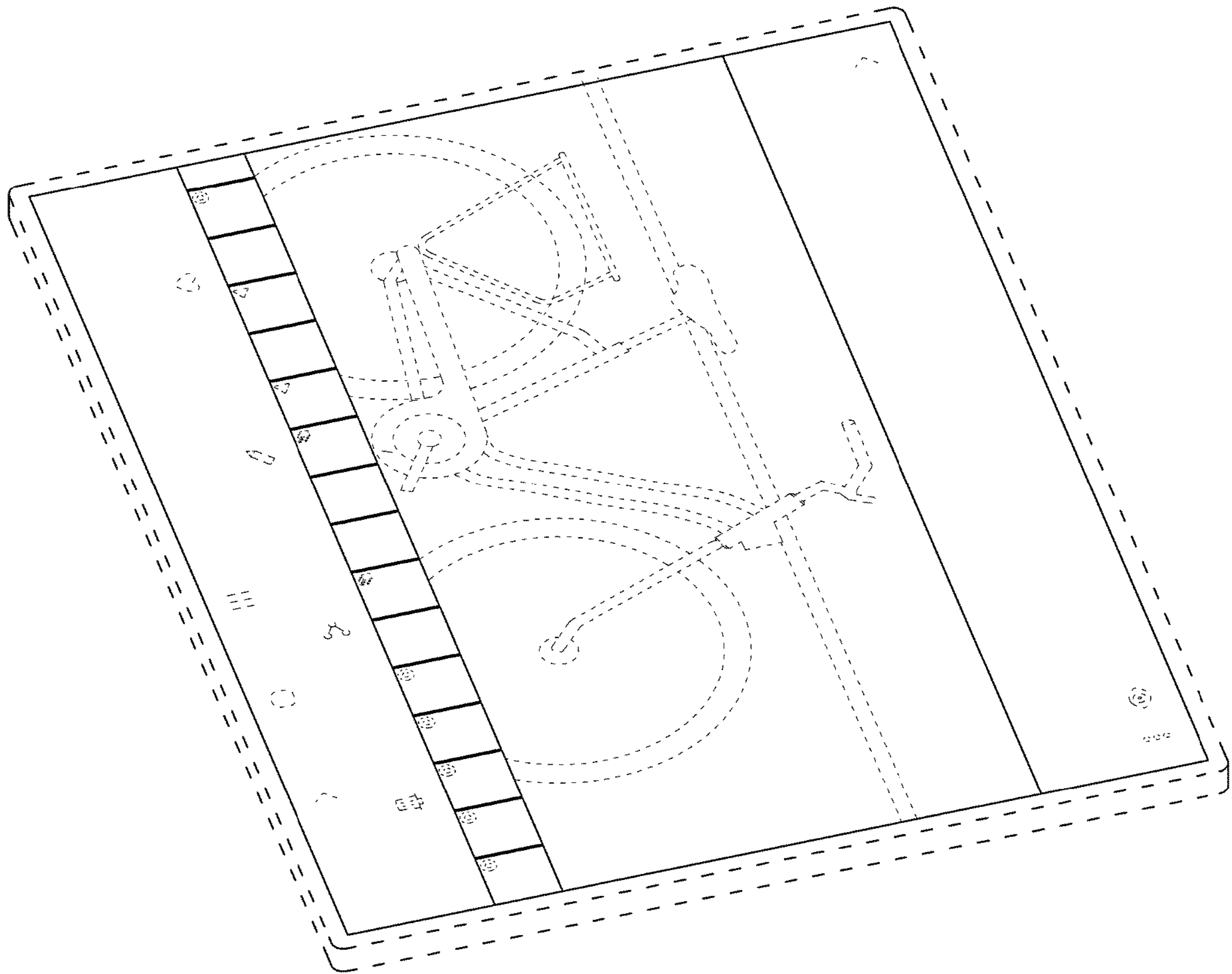


FIG. 4

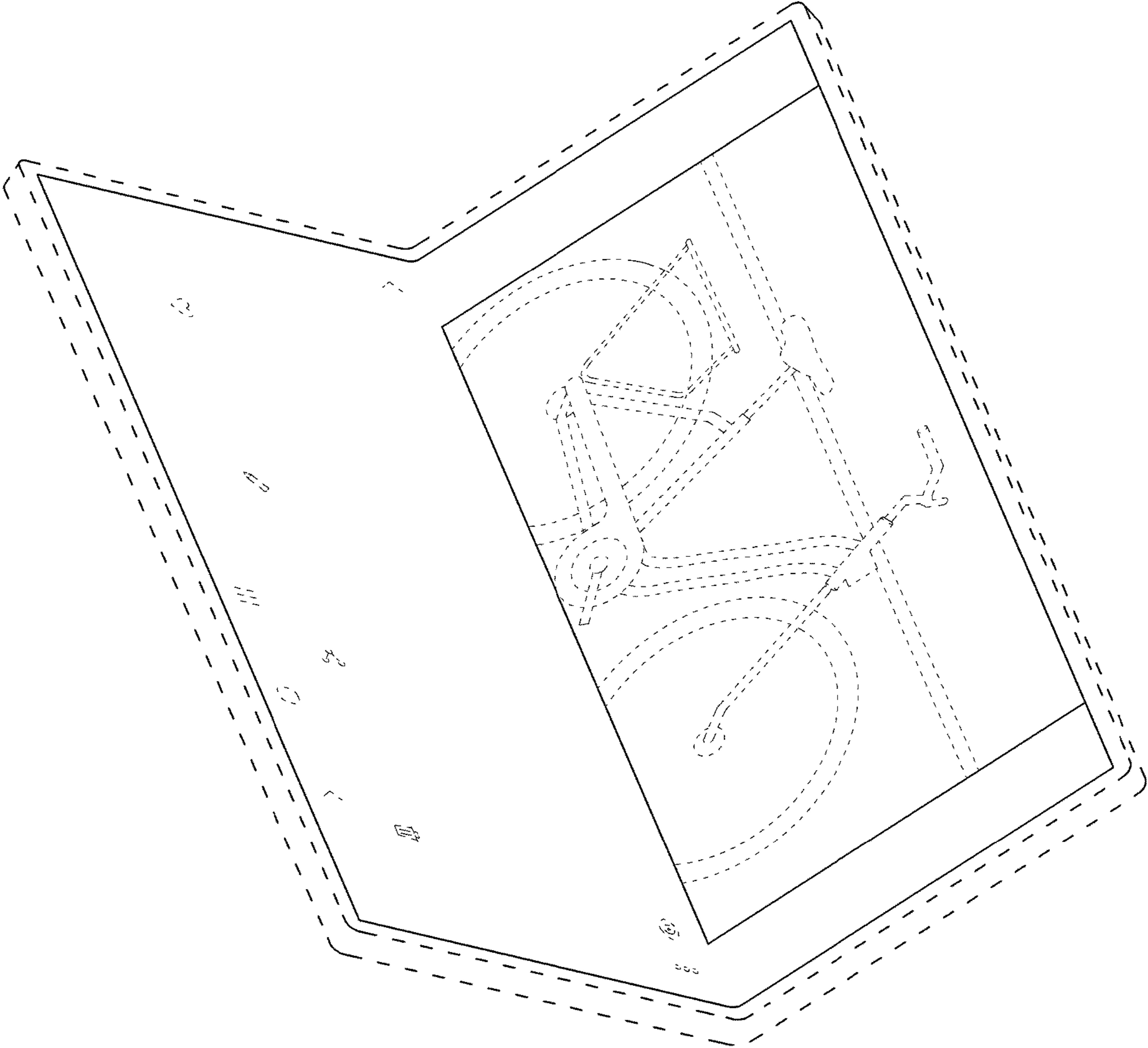


FIG. 5



FIG. 6

