

US00D967120S

(12) **United States Design Patent** (10) **Patent No.:** **US D967,120 S**
Morgeneier et al. (45) **Date of Patent:** **** Oct. 18, 2022**

(54) **FOLDABLE SCANNER HOLDER**
(71) Applicant: **JENETRIC GmbH**, Jena (DE)
(72) Inventors: **Dirk Morgeneier**, Jena (DE); **Roberto Wolfer**, Jena (DE)
(73) Assignee: **JENETRIC GMBH**, Jena (DE)
(**) Term: **15 Years**
(21) Appl. No.: **29/715,801**
(22) Filed: **Dec. 4, 2019**
(51) **LOC (13) Cl.** **14-02**
(52) **U.S. Cl.**
USPC **D14/453**
CPC **G06K 7/00** (2013.01)
(58) **Field of Classification Search**
USPC D14/453, 253, 432, 434, 447; D13/108, D13/146
CPC G06K 7/00; G06K 7/10; G06K 7/10544; G06K 7/10881; H04N 1/00
See application file for complete search history.

D729,248 S * 5/2015 Porter D14/434
D863,291 S * 10/2019 Shi D14/253
D928,082 S * 8/2021 Houghton D13/107
2014/0191707 A1* 7/2014 Carreon H04M 1/04
320/107

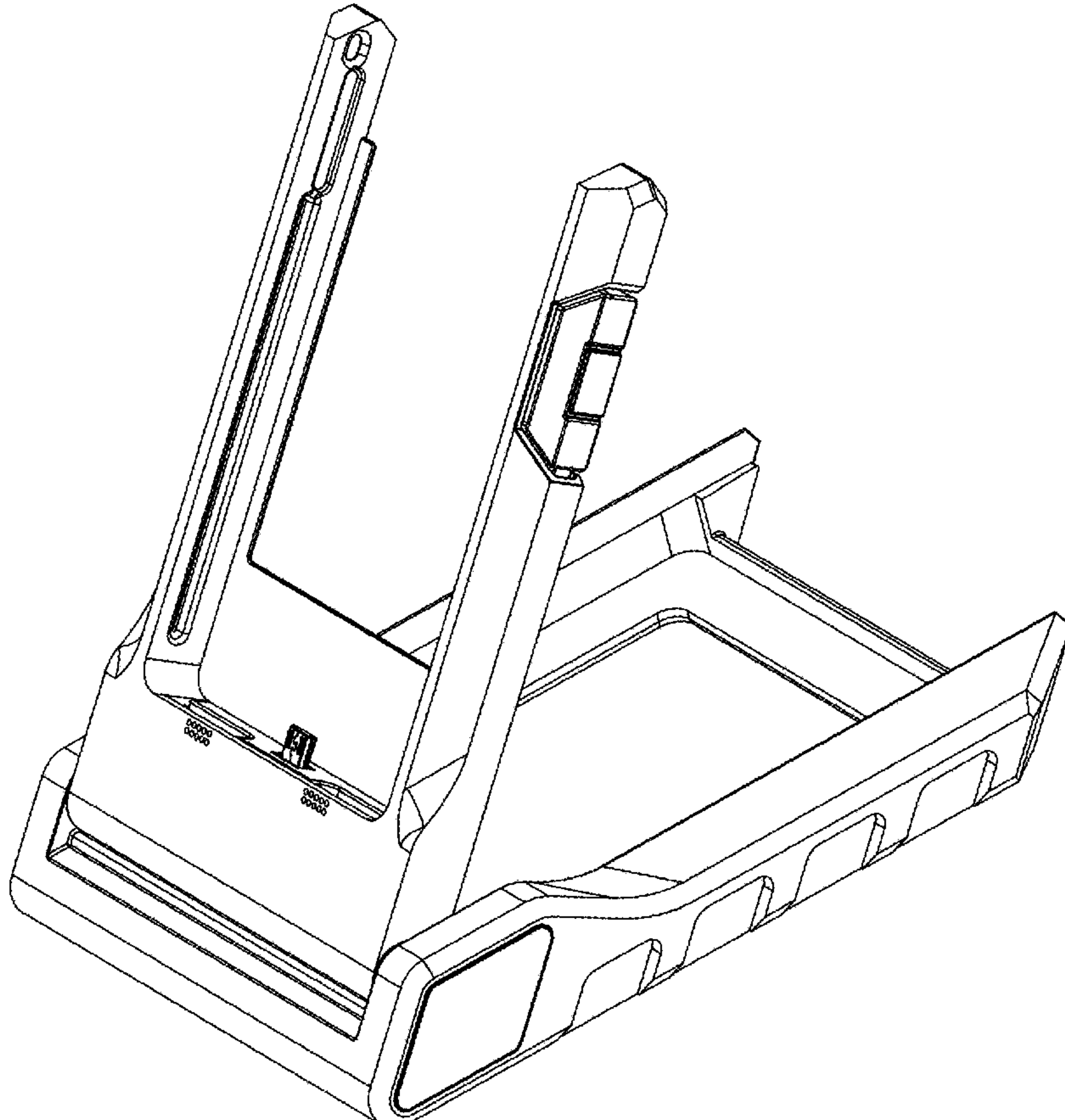
* cited by examiner
Primary Examiner — Richard E Chilcot
(74) *Attorney, Agent, or Firm* — Patentbar International PC

(57) **CLAIM**
The ornamental design for a foldable scanner holder, as shown and described.

DESCRIPTION
FIG. 1 is a front view of a foldable scanner holder, showing our new design;
FIG. 2 is a back view of a foldable scanner holder;
FIG. 3 is a bottom view of a foldable scanner holder;
FIG. 4 is a top view of a foldable scanner holder;
FIG. 5 is a right view of a foldable scanner holder;
FIG. 6 is a left view of a foldable scanner holder; and,
FIG. 7 a perspective view of a foldable scanner holder.
The broken lines illustrate portions of the foldable scanner holder that form no part of the claimed design.

(56) **References Cited**
U.S. PATENT DOCUMENTS
D368,098 S * 3/1996 Su D13/108
D520,013 S * 5/2006 Yang D14/434

1 Claim, 7 Drawing Sheets



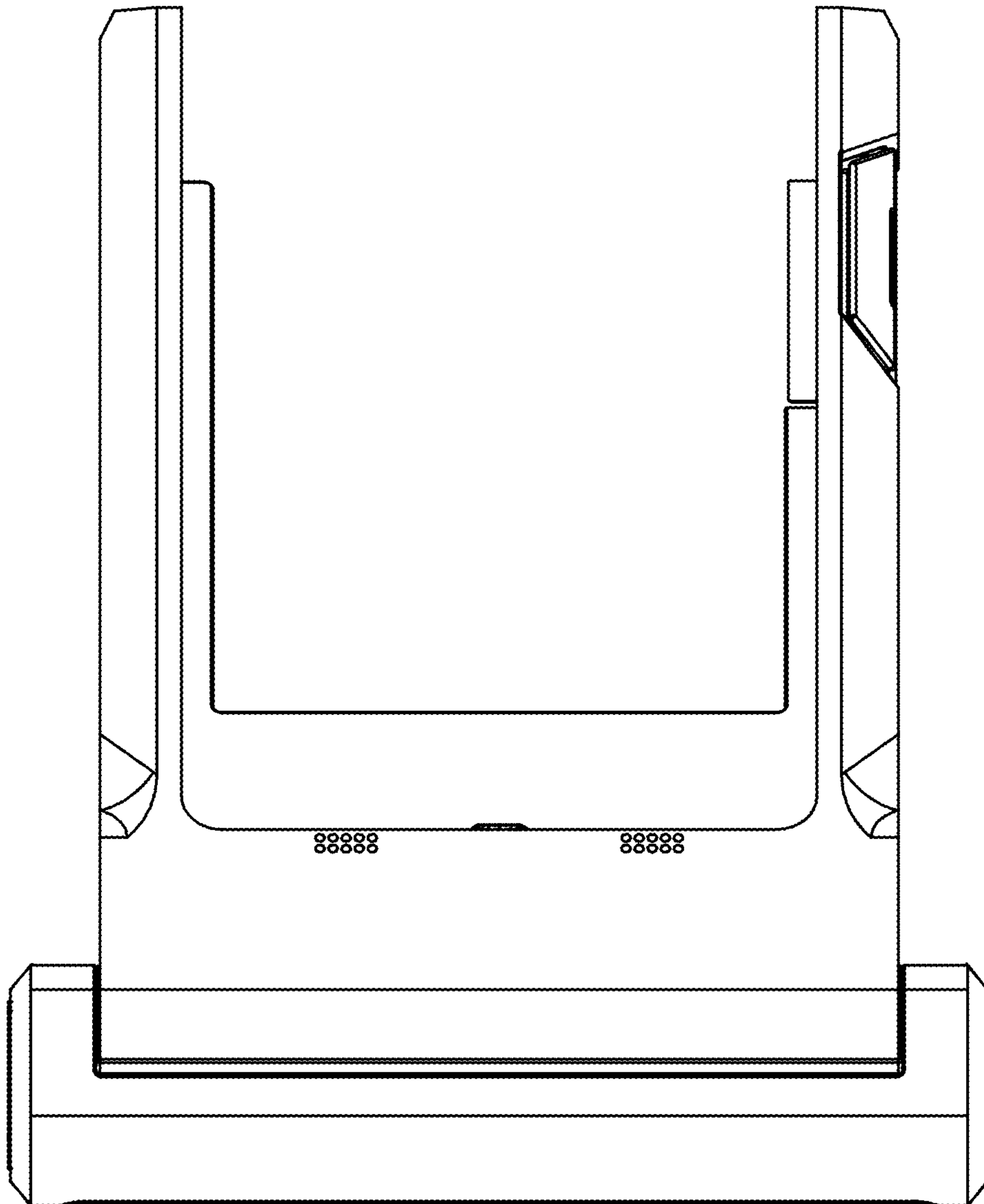


Fig. 1

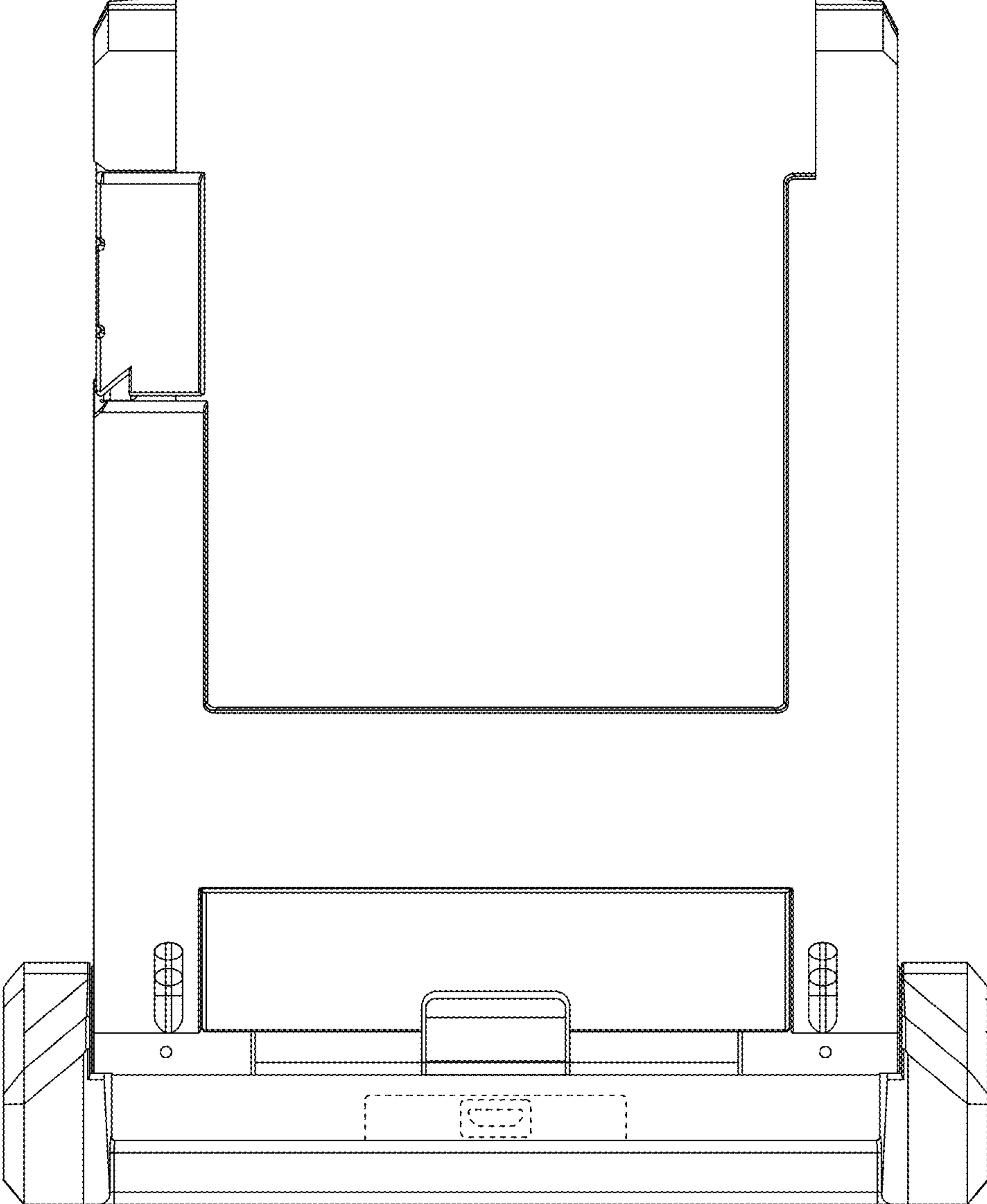


Fig. 2

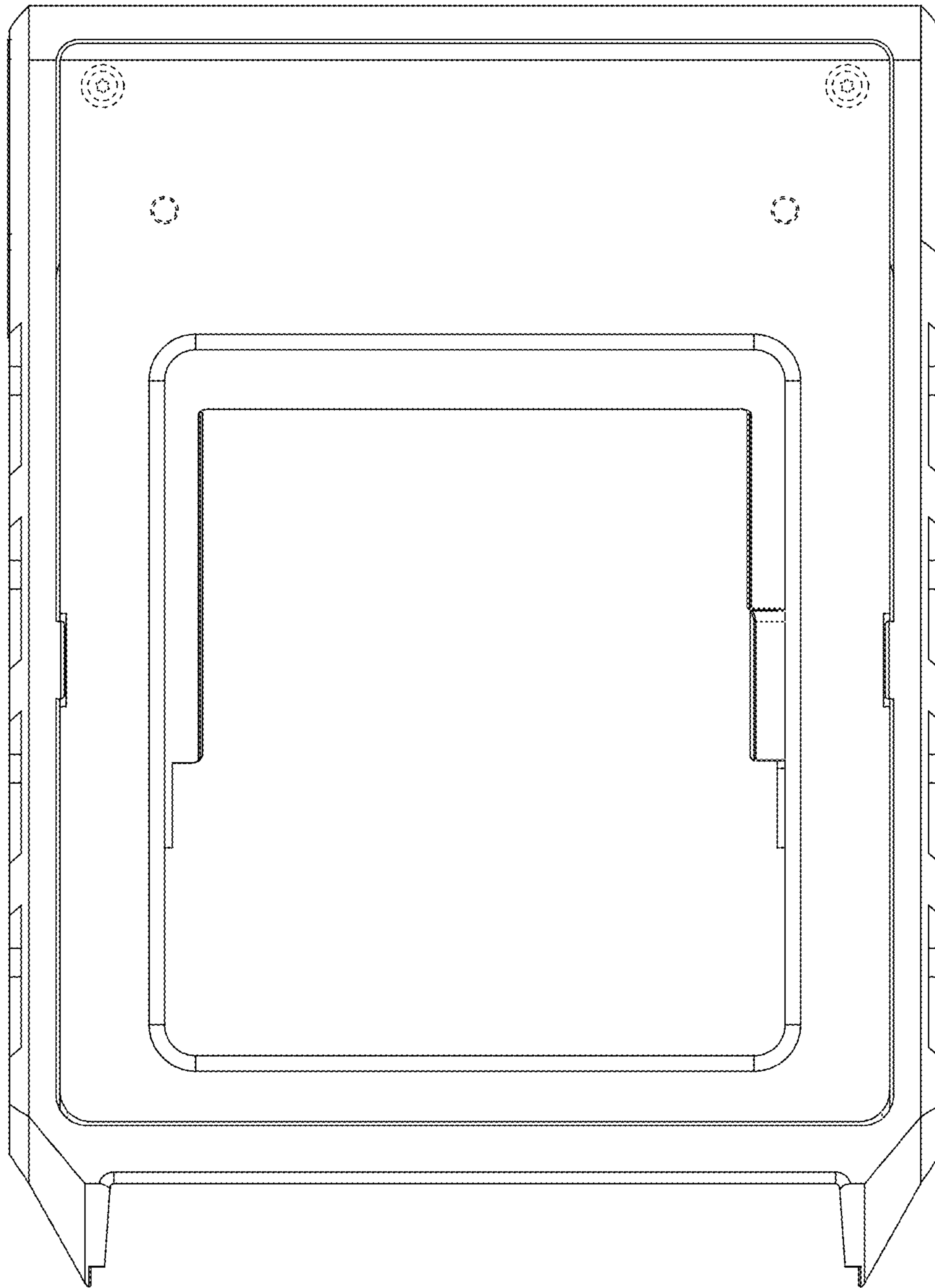


Fig. 3

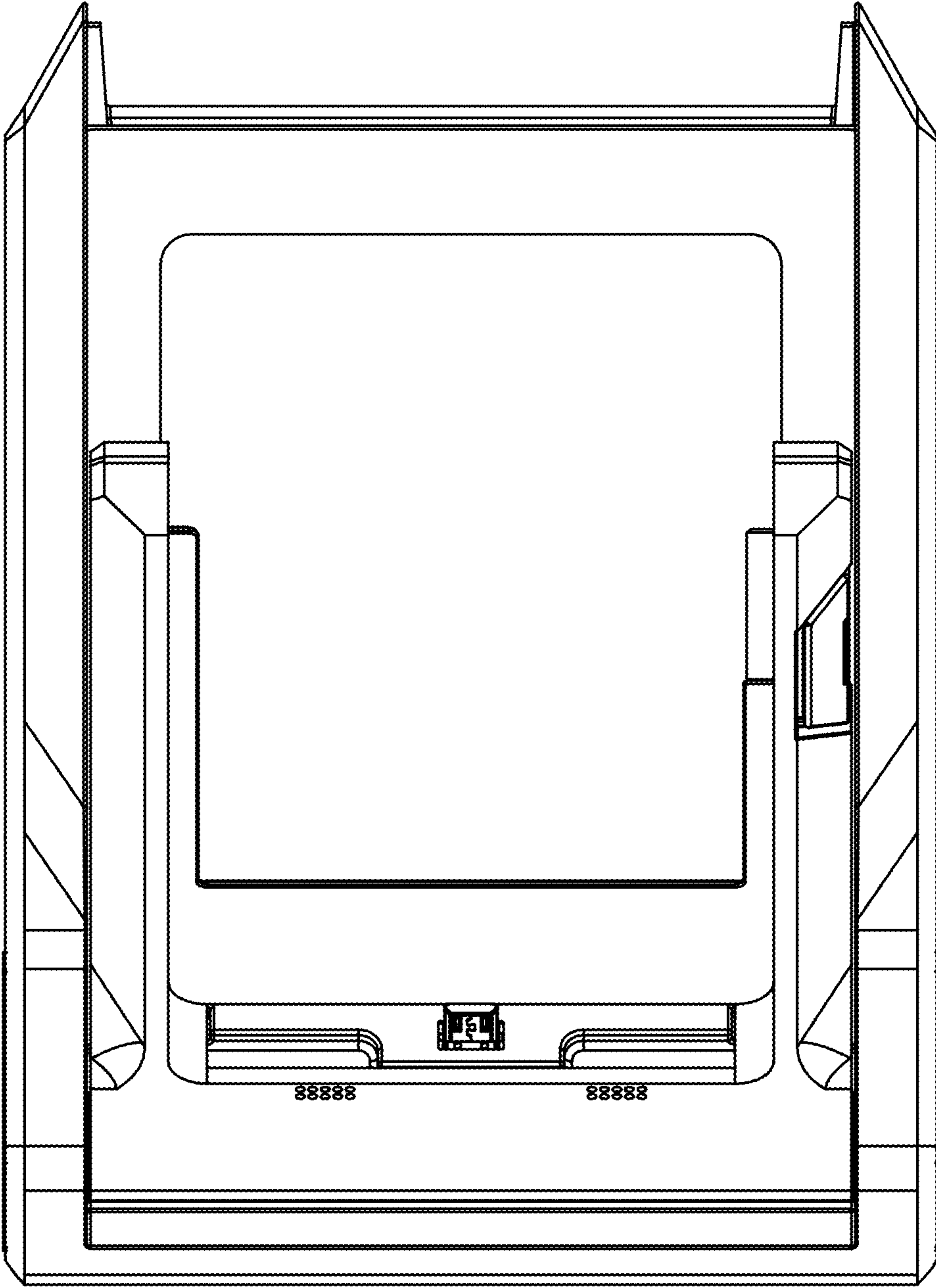


Fig. 4

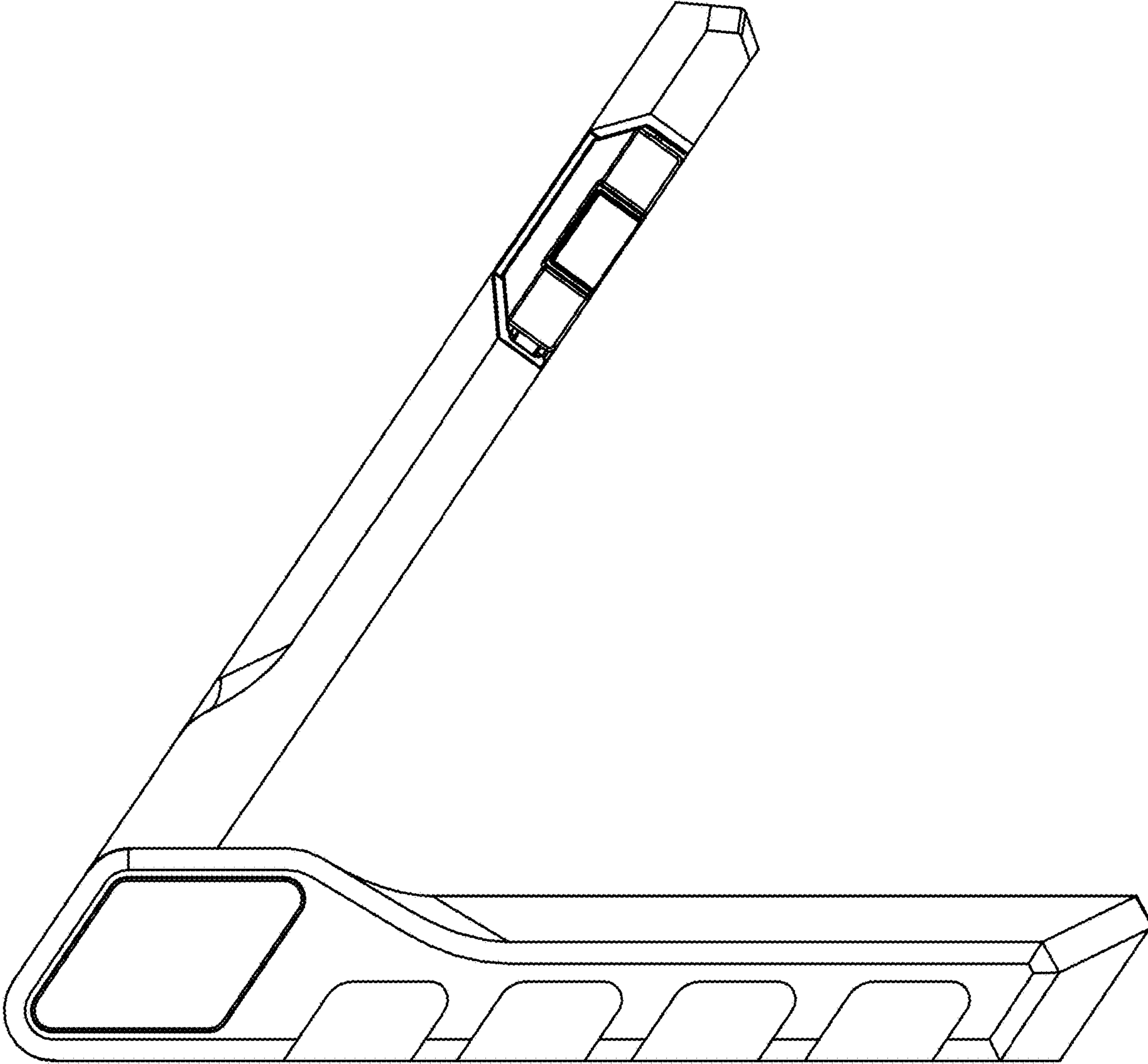


Fig. 5

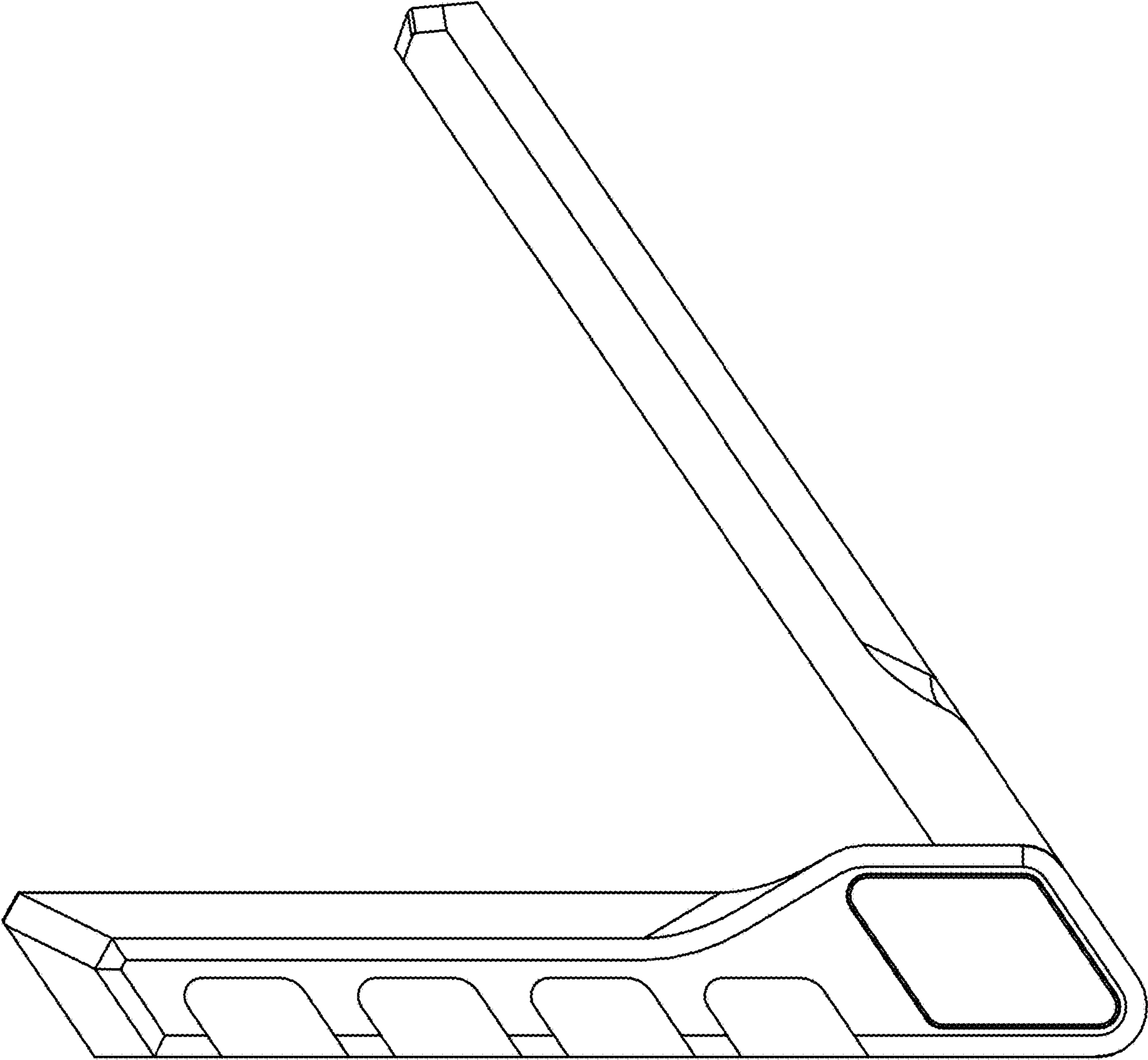


Fig. 6

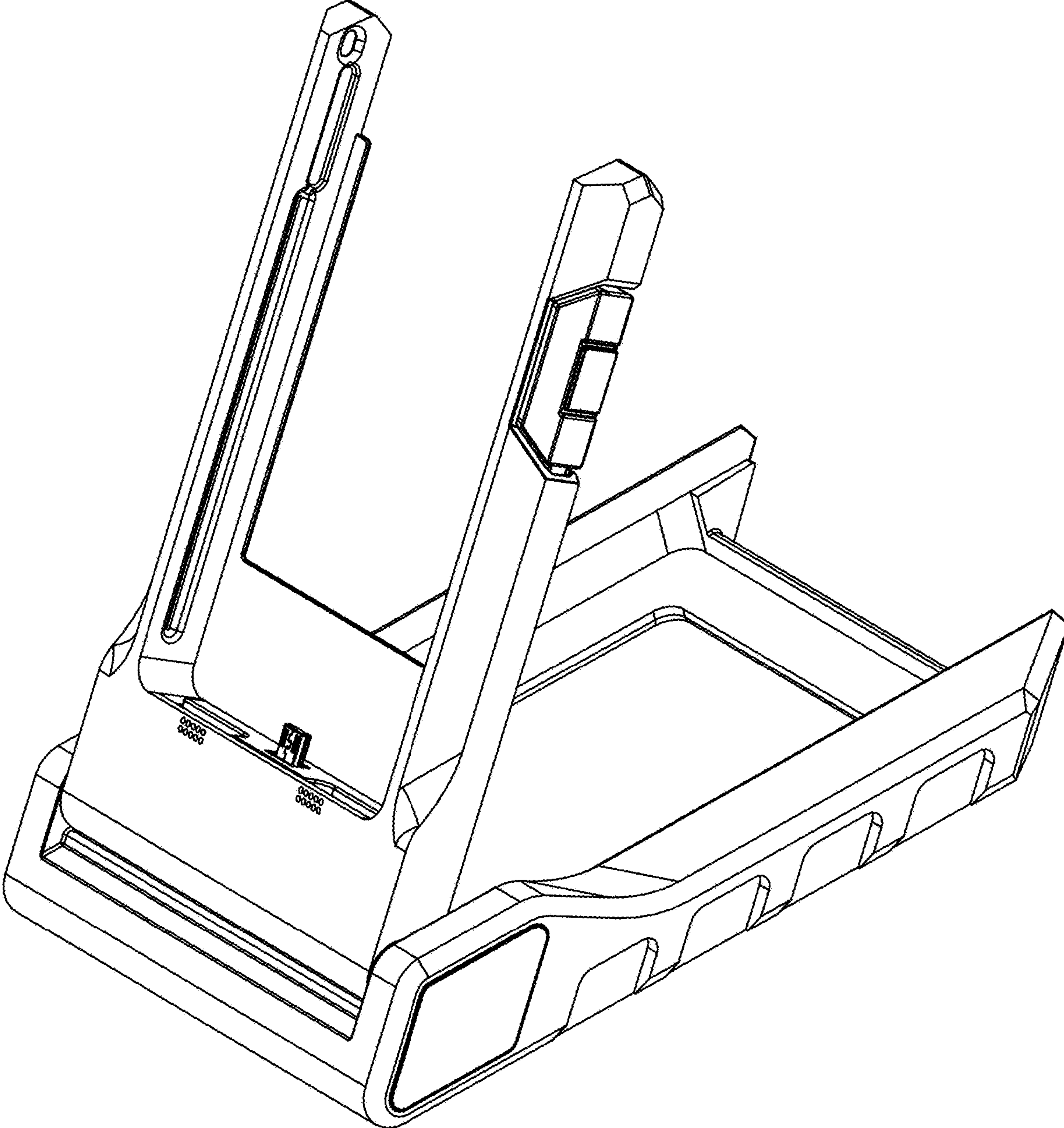


Fig. 7