

US00D967119S

(12) **United States Design Patent**  
**Kim et al.**

(10) **Patent No.: US D967,119 S**  
(45) **Date of Patent: \*\* Oct. 18, 2022**

(54) **MONITOR SUN SHADE**

(71) Applicant: **LG ELECTRONICS INC.**, Seoul (KR)

(72) Inventors: **Hyeongyeol Kim**, Seoul (KR);  
**Daihyung Ryu**, Seoul (KR)

(73) Assignee: **LG ELECTRONICS INC.**, Seoul (KR)

(\*\*) Term: **15 Years**

(21) Appl. No.: **35/510,854**

(22) Filed: **Nov. 18, 2020**

(80) **Hague Agreement Data**

Int. Filing Date: **Nov. 18, 2020**

Int. Reg. No.: **DM/211406**

Int. Reg. Date: **Nov. 18, 2020**

Int. Reg. Pub. Date: **Dec. 4, 2020**

(30) **Foreign Application Priority Data**

Jun. 23, 2020 (KR) ..... 30-2020-0028481

(51) **LOC (13) Cl.** ..... **14-02**

(52) **U.S. Cl.**  
USPC ..... **D14/449**

(58) **Field of Classification Search**

USPC ..... D14/251, 252, 447, 449, 450, 451, 452,  
D14/457; D16/219, 250, 340

CPC ..... A47B 21/0314; A47B 2021/0321; A47B  
2021/0364; A47B 21/02; A47B 21/04;  
G06F 1/1603

See application file for complete search history.

(56) **References Cited**

**U.S. PATENT DOCUMENTS**

4,444,465 A \* 4/1984 Giulie ..... H04N 5/65  
348/E5.131

4,569,572 A \* 2/1986 Kopich ..... G06F 1/1603  
348/832

(Continued)

**FOREIGN PATENT DOCUMENTS**

CN 300850003 11/2008  
EM 000853279-0001 1/2008

(Continued)

**OTHER PUBLICATIONS**

Compushade Monitor Hood, publication date Oct. 17, 2008, [online]  
URL: <https://www.amazon.com/Compushade-Monitor-Hood-Fits-15-22In/dp/B001IMJB86> (Year: 2008).\*

(Continued)

*Primary Examiner* — L. A. Grabenstetter

(74) *Attorney, Agent, or Firm* — Birch, Stewart, Kolasch  
& Birch, LLP

(57) **CLAIM**

The ornamental design for a monitor sun shade, as shown  
and described.

**DESCRIPTION**

1. Monitor sun shade

1.1 : Perspective

1.2 : Front

1.3 : Back

1.4 : Left

1.5 : Right

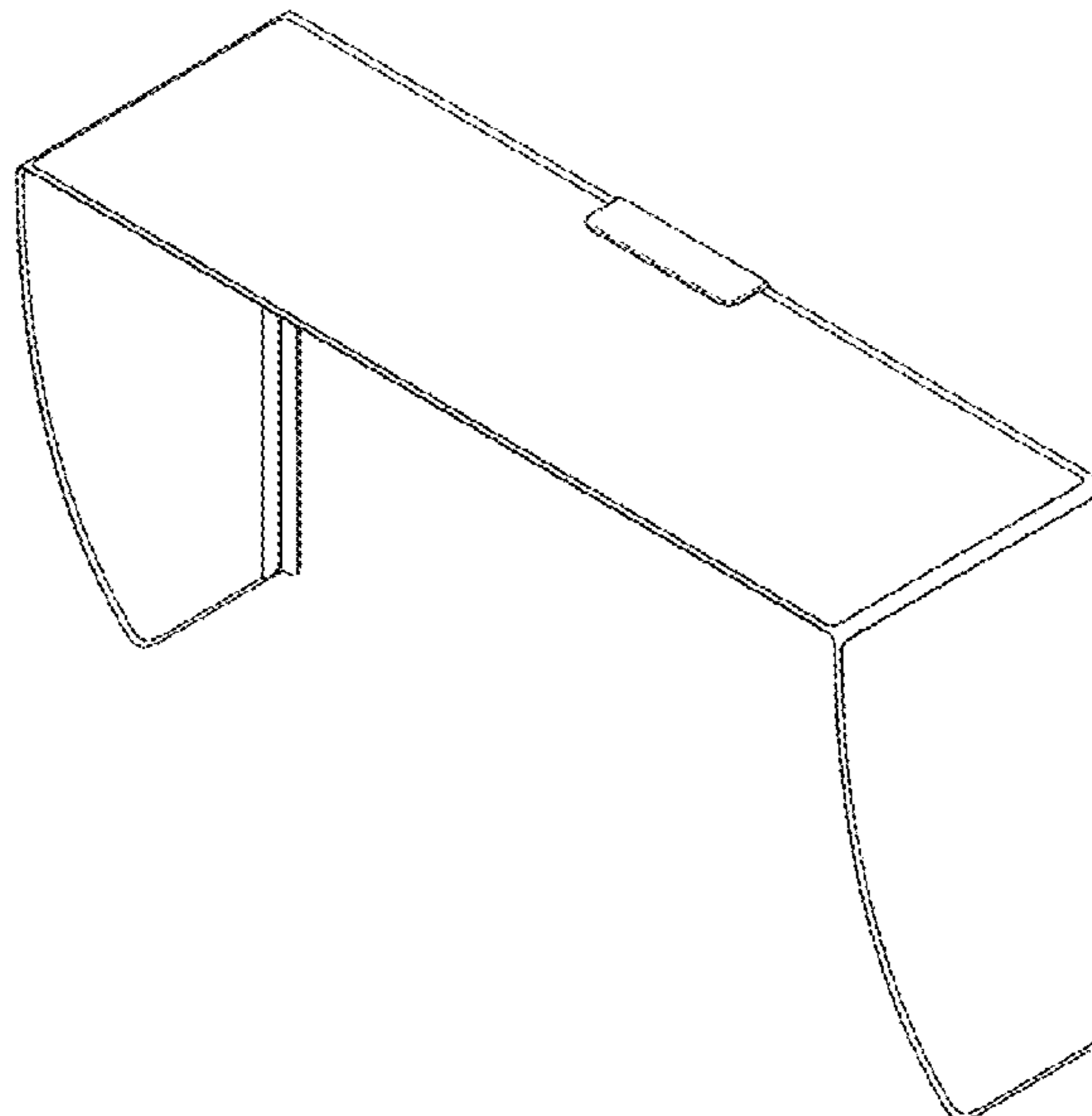
1.6 : Top

1.7 : Bottom

1.8 : Second perspective, shown in a state of use

The broken lines in reproduction 1.8, showing a monitor,  
depict environmental subject matter that forms no part of the  
claimed design. The broken line features shown on the  
bottom of the monitor sun shade in reproduction 1.7 depict  
portions of the article that form no part of the claimed  
design.

**1 Claim, 8 Drawing Sheets**



(56)

References Cited

U.S. PATENT DOCUMENTS

5,121,253 A \* 6/1992 Waintroob ..... G06F 1/1603  
348/E5.131  
5,243,463 A \* 9/1993 Waintroob ..... H04N 5/65  
348/E5.131  
D379,178 S \* 5/1997 Kane ..... D14/449  
D385,543 S \* 10/1997 Phirippidis ..... D14/239  
5,710,860 A \* 1/1998 Kim ..... H04N 5/2251  
348/E5.025  
5,717,566 A \* 2/1998 Tao ..... G06F 1/1603  
359/601  
5,905,546 A \* 5/1999 Giulie ..... G06F 1/1603  
359/601  
D411,753 S \* 6/1999 Jobin ..... D99/28  
6,084,711 A \* 7/2000 Duff ..... G06F 1/1603  
359/612  
D431,536 S \* 10/2000 Feasey ..... D14/239  
D514,582 S \* 2/2006 Dulberger ..... D14/449  
D530,719 S \* 10/2006 Roubanis ..... D14/449  
D586,350 S \* 2/2009 Matsui ..... D14/449  
D611,473 S \* 3/2010 Lee ..... D14/371  
D704,244 S \* 5/2014 Ham ..... D16/237  
D714,808 S \* 10/2014 Clark ..... D14/449  
D877,155 S \* 3/2020 Law ..... D14/449  
10,963,010 B1 \* 3/2021 Griffin ..... G02B 27/0018  
2010/0294177 A1 \* 11/2010 Carney ..... A47B 21/0314  
108/157.1  
2013/0314852 A1 \* 11/2013 Kincaid ..... A47B 21/04  
361/679.01

FOREIGN PATENT DOCUMENTS

JP D1334372 S 6/2008  
KR 30-0415591 S 5/2006

OTHER PUBLICATIONS

SmallRig Sun Hood Sun Shade, publication date Oct. 9, 2019, [online] URL: <https://www.amazon.com/dp/B07YWYB2DQ/> (Year: 2019).\*

ViewSonic Monitor Hood, publication date Jul. 19, 2018, [online] URL: <https://www.amazon.com/ViewSonic-Monitor-Compatible-VP2785-4K-MH27M1/dp/B07F2RWXDN> (Year: 2018).\*

BenQ Monitor Detachable Shading Hood, publication date Oct. 11, 2017, [online] URL: <https://www.amazon.com/BenQ-Photographer-SW271-3840x2160-Calibration/dp/B076CTL3BD/> (Year: 2017).\*

iLooker 27A Monitor Hood Sunshade, publication date Apr. 23, 2017, [online] URL: <https://www.amazon.com/dp/B071ND7XN1/> (Year: 2017).\*

iLooker Video Monitor Hood, publication date May 23, 2016, [online] URL: <https://www.amazon.com/iLooker-27E-Monitor-Sunshade-Viewsonic-635-655mm/dp/B01G15982S> (Year: 2016).\*

Acer Predator G-Sync, [https://quasarzone.co.kr/bbs/board.php?bo\\_table=qn\\_hardware&wr\\_id=192642](https://quasarzone.co.kr/bbs/board.php?bo_table=qn_hardware&wr_id=192642), published Aug. 29, 2018.

BenQ 4ever, <https://blog.naver.com/benq4ever/220935232971>, published Feb. 14, 2017.

BenQ SW271, <http://blog.naver.com/vasurada0/221300604313>, published Jun. 17, 2018.

CrystalSKy Monitor Hood, <http://blog.naver.com/simeuijin/221284572103>, published May 26, 2018.

DEA-1525, <https://blog.naver.com/themustcolor/220308807430>, published Mar. 23, 2015.

EIZO CH5/CH6/CH7 Monitor Hood, <https://blog.naver.com/wildcat444/220728948439>, published Jun. 6, 2016.

EIZO ColorEdge CG247, [https://blog.naver.com/photogr\\_is/220936424349](https://blog.naver.com/photogr_is/220936424349), published Feb. 15, 2017.

[https://blog.naver.com/seo\\_sangmin/221163319907](https://blog.naver.com/seo_sangmin/221163319907), published Dec. 14, 2017.

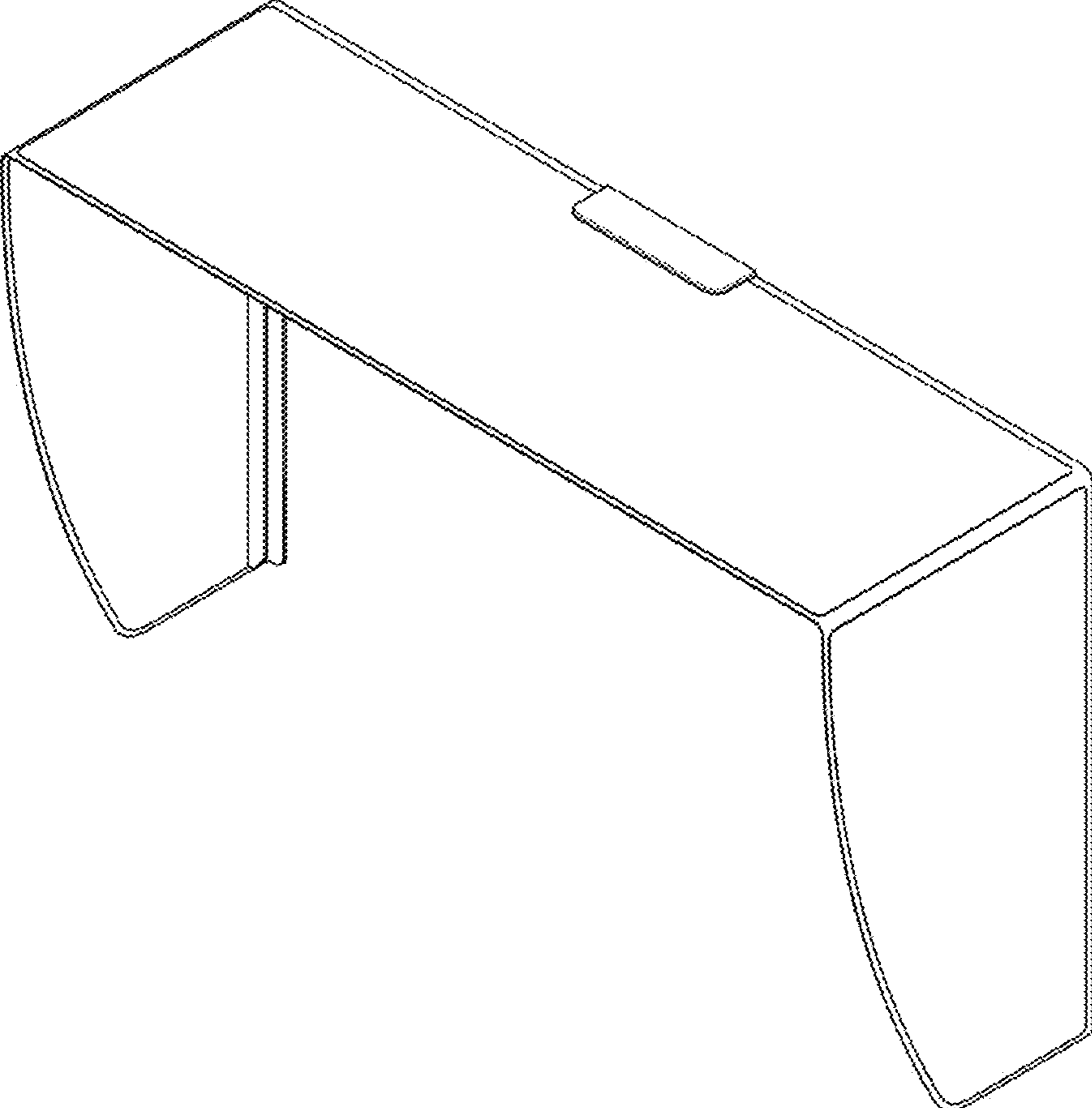
Pgytech Monitor Hood, DGI Mavic Air Pro Phantom 4 pro Inspire. <https://blog.naver.com/kcdpark/221216321688>, published Feb. 25, 2018.

Sanwasupply 200-DCV013, <https://blog.naver.com/sanwasupply/220618260033>, published Feb. 4, 2016.

Sony a6300 LCD, <https://blog.naver.com/aglsoul/220731705989>, published Jun. 9, 2016.

\* cited by examiner

1.1



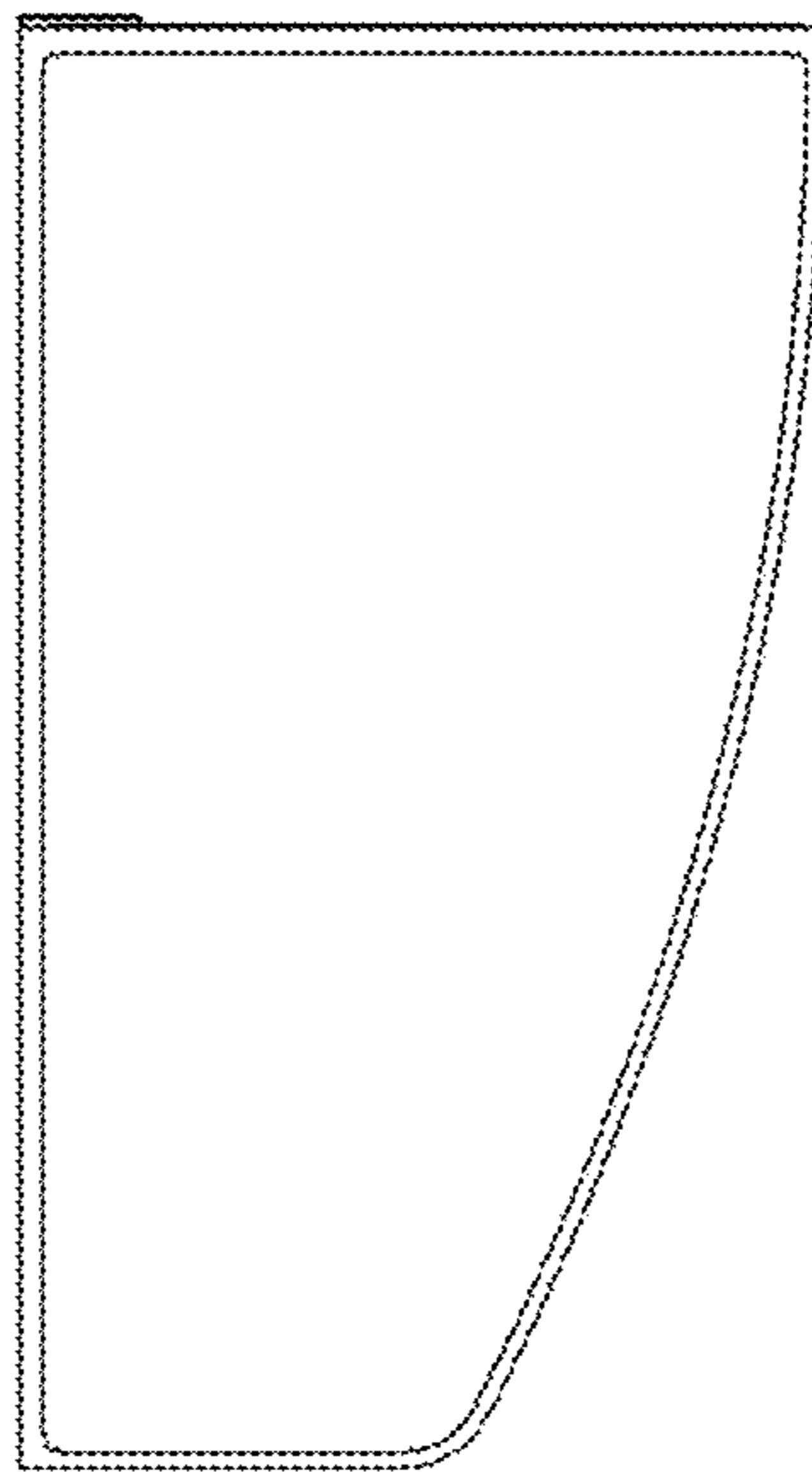
1.2



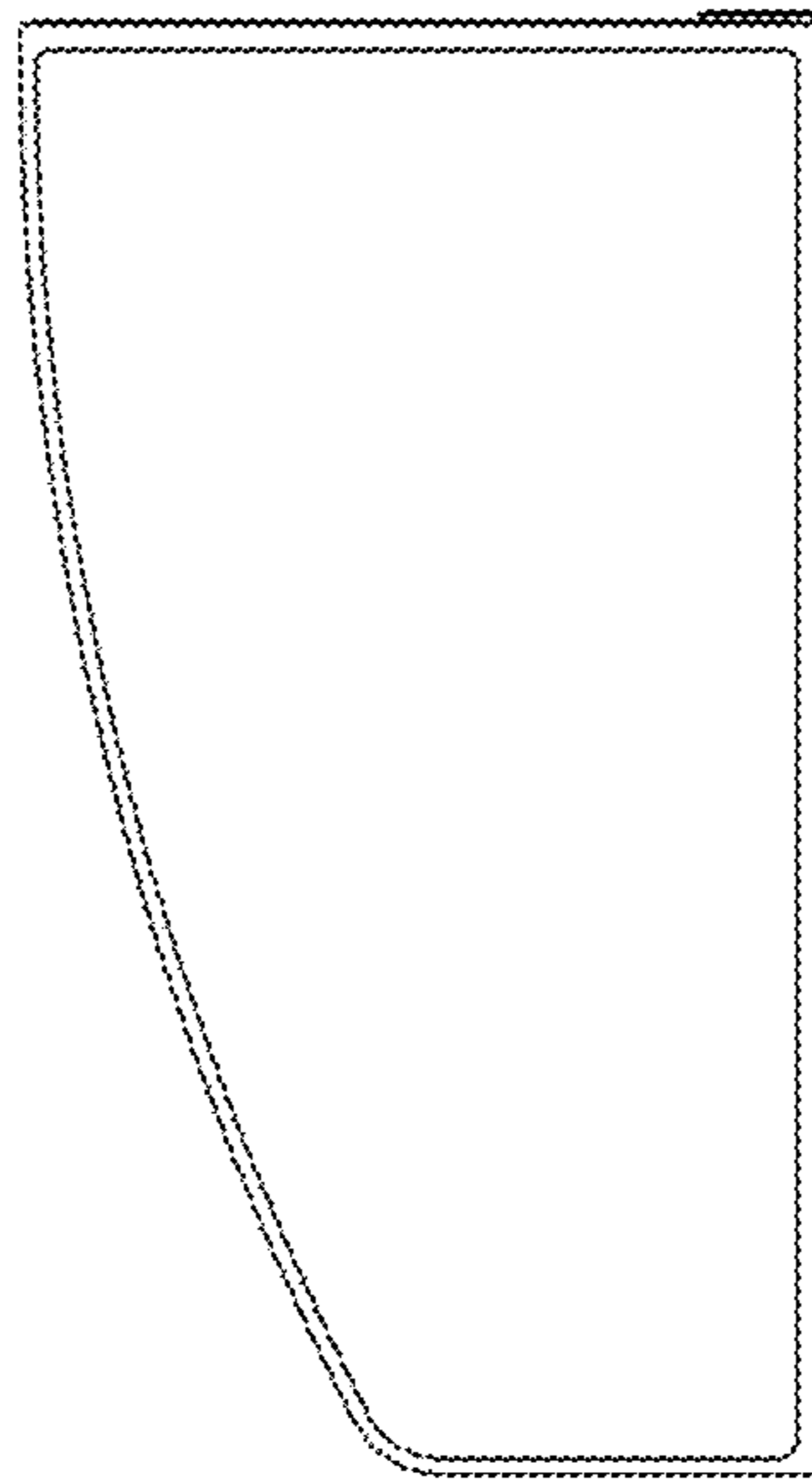
1.3



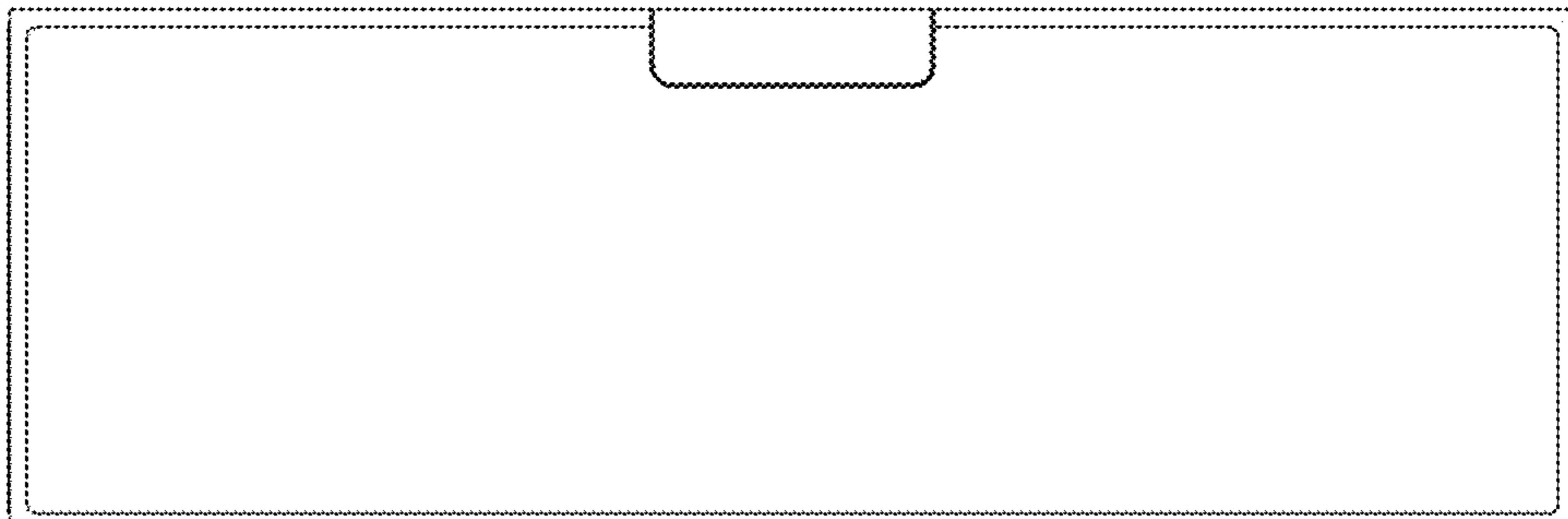
1.4



1.5

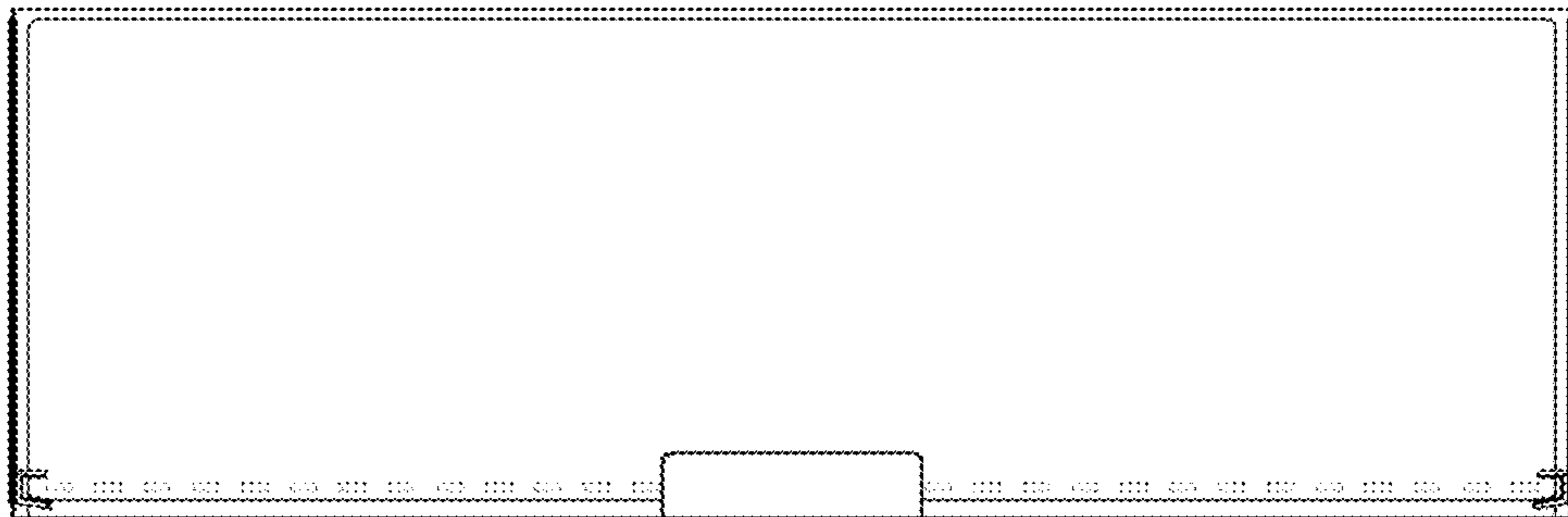


1.6





1.7



1.8

