



US00D967117S

(12) **United States Design Patent**  
**Balvidares**

(10) **Patent No.:** **US D967,117 S**

(45) **Date of Patent:** **\*\* Oct. 18, 2022**

(54) **SUPPORT**

(71) Applicant: **Facundo Balvidares**, Santa Fe (AR)

(72) Inventor: **Facundo Balvidares**, Santa Fe (AR)

(\*\*) Term: **15 Years**

(21) Appl. No.: **29/773,405**

(22) Filed: **Mar. 9, 2021**

(30) **Foreign Application Priority Data**

Sep. 10, 2020 (AR) ..... 39267192

(51) **LOC (13) Cl.** ..... **08-07**

(52) **U.S. Cl.**  
USPC ..... **D14/447**; D8/349

(58) **Field of Classification Search**  
USPC ..... D14/447, 432, 434, 439, 440, 451, 452,  
D14/457, 239; D8/363, 373, 380, 349;  
D6/406.3, 406.4, 406.5, 406.6; D12/415;  
D16/242  
CPC ..... A47B 21/04; A47B 2097/006; A47B  
2097/005; A47B 2023/049; A45C  
2011/002; A45C 2011/003; F16M  
2200/00; F16M 13/00; B60R 11/0241;  
B60R 2011/0005; B60R 2011/0063;  
B60R 2011/007

See application file for complete search history.

(56) **References Cited**

**U.S. PATENT DOCUMENTS**

1,893,720 A \* 1/1933 Vandervoort ..... A47B 21/04  
312/307  
D206,541 S \* 12/1966 Hylar ..... D3/229  
D348,355 S \* 7/1994 Scheid ..... D3/218  
D359,616 S \* 6/1995 Ishibashi ..... D3/218  
D368,508 S \* 4/1996 Garrett ..... D20/22  
D405,224 S \* 2/1999 Falconio ..... D8/395  
D427,590 S \* 7/2000 Mou ..... D14/143

D430,252 S \* 8/2000 Grove ..... D21/796  
D443,329 S \* 6/2001 Helmreich ..... D21/796  
D457,308 S \* 5/2002 Infanti ..... D3/218  
D467,068 S \* 12/2002 Lewis ..... D3/215  
D471,547 S \* 3/2003 Ruohonen ..... D14/253  
6,705,497 B1 \* 3/2004 Schuett ..... A45F 5/021  
224/269  
6,843,482 B1 \* 1/2005 Bayne ..... F16J 15/002  
277/412  
D503,085 S \* 3/2005 McGrath, Jr. .... D8/395  
D507,871 S \* 8/2005 DiMarchi ..... D3/215  
D508,605 S \* 8/2005 Hwang ..... D3/218  
D536,239 S \* 2/2007 Tallman ..... D8/354  
D556,545 S \* 12/2007 Titas ..... D8/354  
D557,117 S \* 12/2007 Cannaverde ..... D8/354  
D628,203 S \* 11/2010 Noble ..... D14/447  
D659,696 S \* 5/2012 Lanza ..... D14/447  
D661,309 S \* 6/2012 Murrer ..... D14/447  
8,523,448 B1 \* 9/2013 Damato ..... F16C 25/083  
378/132  
D697,517 S \* 1/2014 Pressman ..... D14/484.1

(Continued)

*Primary Examiner* — Mark A Goodwin

(74) *Attorney, Agent, or Firm* — Rothwell, Figg, Ernst & Manbeck, P.C.

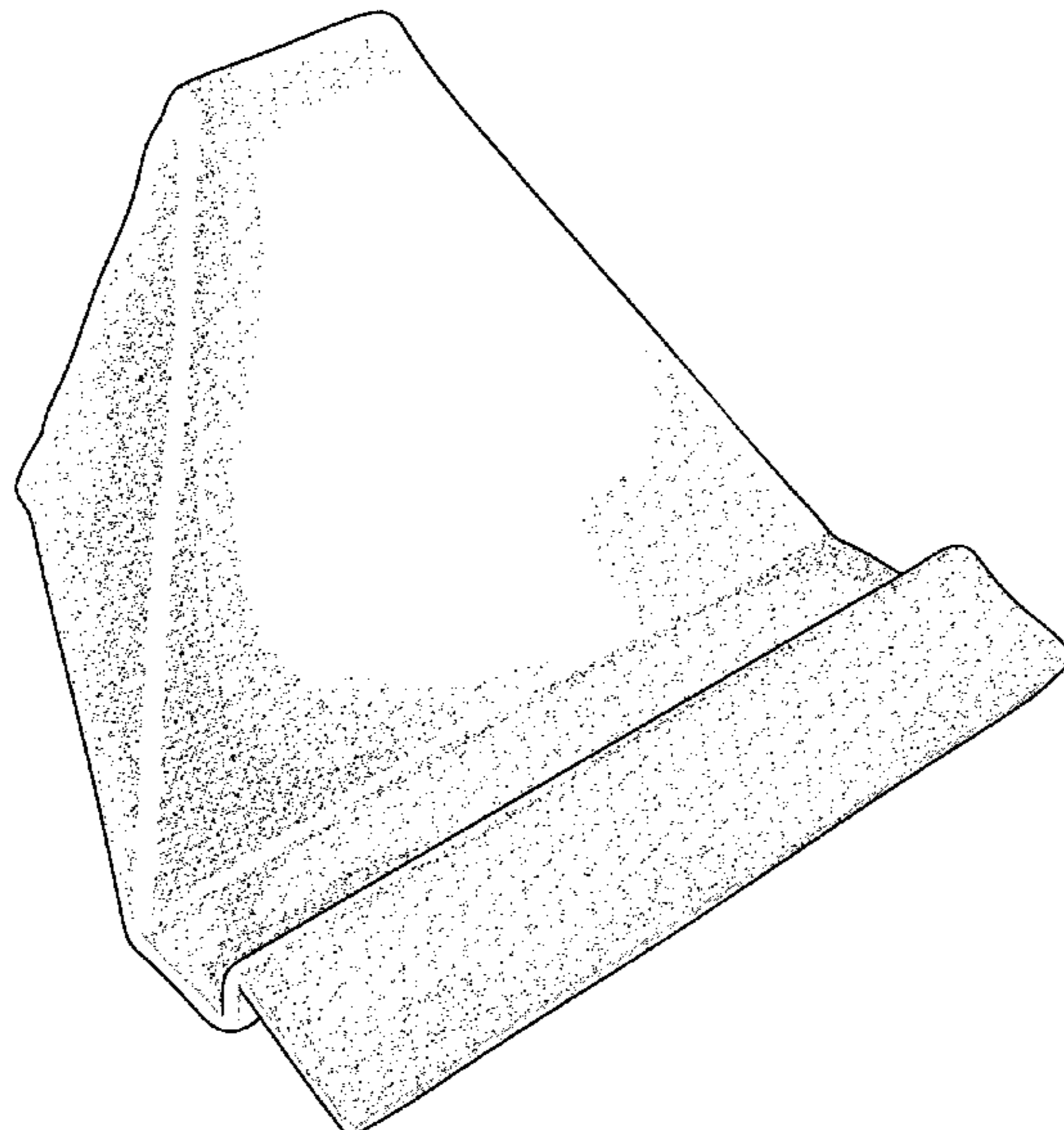
(57) **CLAIM**

The ornamental design for the support, as shown and described.

**DESCRIPTION**

FIG. 1 is a perspective view of the top, front, and left side of the support;  
FIG. 2 is a left side view of the support;  
FIG. 3 is a top view of the support;  
FIG. 4 is a rear view of the support;  
FIG. 5 is a right side view of the support;  
FIG. 6 is a front view of the support; and,  
FIG. 7 is a perspective view of the top, rear, and right side of the support.

**1 Claim, 7 Drawing Sheets**



(56)

**References Cited**

U.S. PATENT DOCUMENTS

D703,215	S	*	4/2014	Alesi .....	D14/447
D719,961	S	*	12/2014	Xiang .....	D14/447
D721,498	S	*	1/2015	Holt .....	D3/318
D729,223	S	*	5/2015	Haarburger .....	D14/253
D730,888	S	*	6/2015	Malsan .....	D14/253
D734,305	S	*	7/2015	Wengreen .....	D14/238.1
D753,982	S	*	4/2016	Guirlinger .....	D8/349
D763,244	S	*	8/2016	McGarry .....	D14/253
D763,835	S	*	8/2016	Wengreen .....	D6/567
D765,063	S	*	8/2016	Wengreen .....	D6/567
D767,973	S	*	10/2016	DeDios-Shirley .....	D8/349
D772,859	S	*	11/2016	Alesi .....	D14/253
D777,167	S	*	1/2017	Wengreen .....	D14/447
D778,713	S	*	2/2017	McSweyn .....	D12/415
D797,546	S	*	9/2017	Saideh .....	D8/354
D798,306	S	*	9/2017	Wengreen .....	D14/447
D812,371	S	*	3/2018	Horne .....	D21/796
D839,078	S	*	1/2019	Stahl .....	D25/199
D840,408	S	*	2/2019	Chen .....	D14/447
D847,789	S	*	5/2019	Virhiä .....	D14/217
D854,314	S	*	7/2019	Burns .....	D3/218
D863,040	S	*	10/2019	DeDios-Shirley .....	D8/354
D865,770	S	*	11/2019	Igbo-Nwoke .....	D14/447
D867,435	S	*	11/2019	Wengreen .....	D16/242
D877,137	S	*	3/2020	Engerman .....	D14/253
D906,095	S	*	12/2020	DeDios-Shirley .....	D8/354
D942,983	S	*	2/2022	Wengreen .....	D14/447
2012/0126081	A1	*	5/2012	Wengreen .....	F16M 13/02 248/304

\* cited by examiner

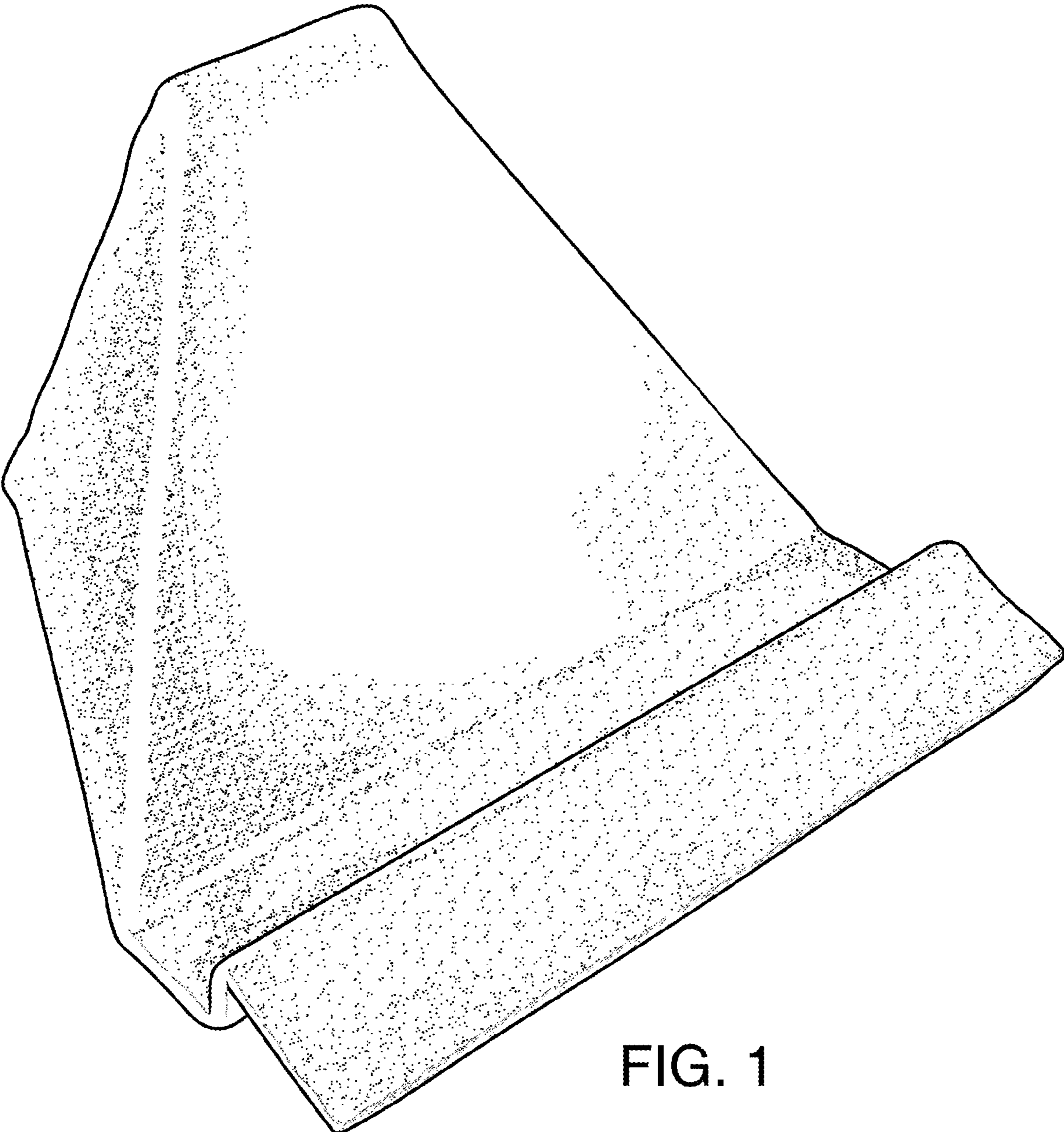


FIG. 1

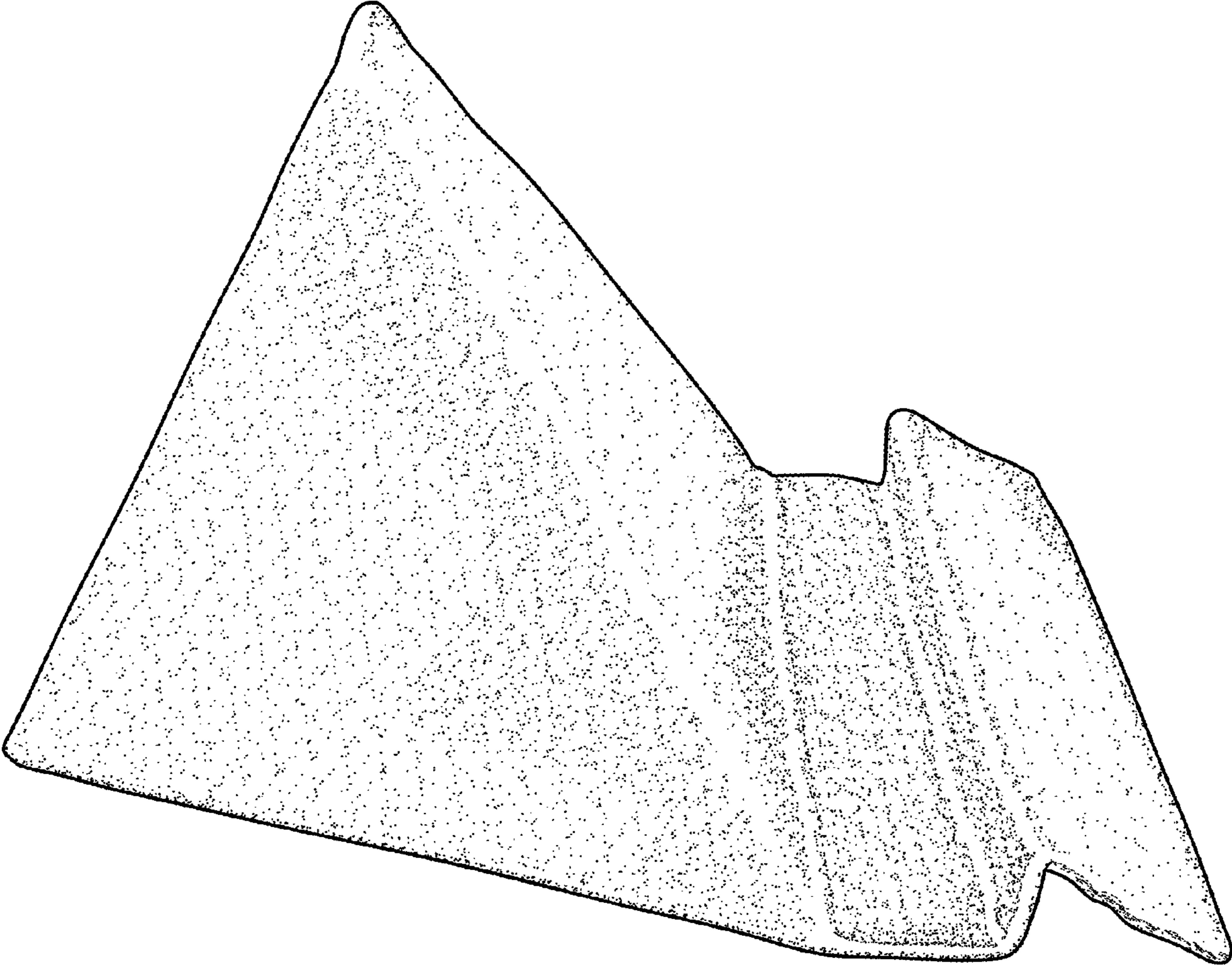


FIG. 2

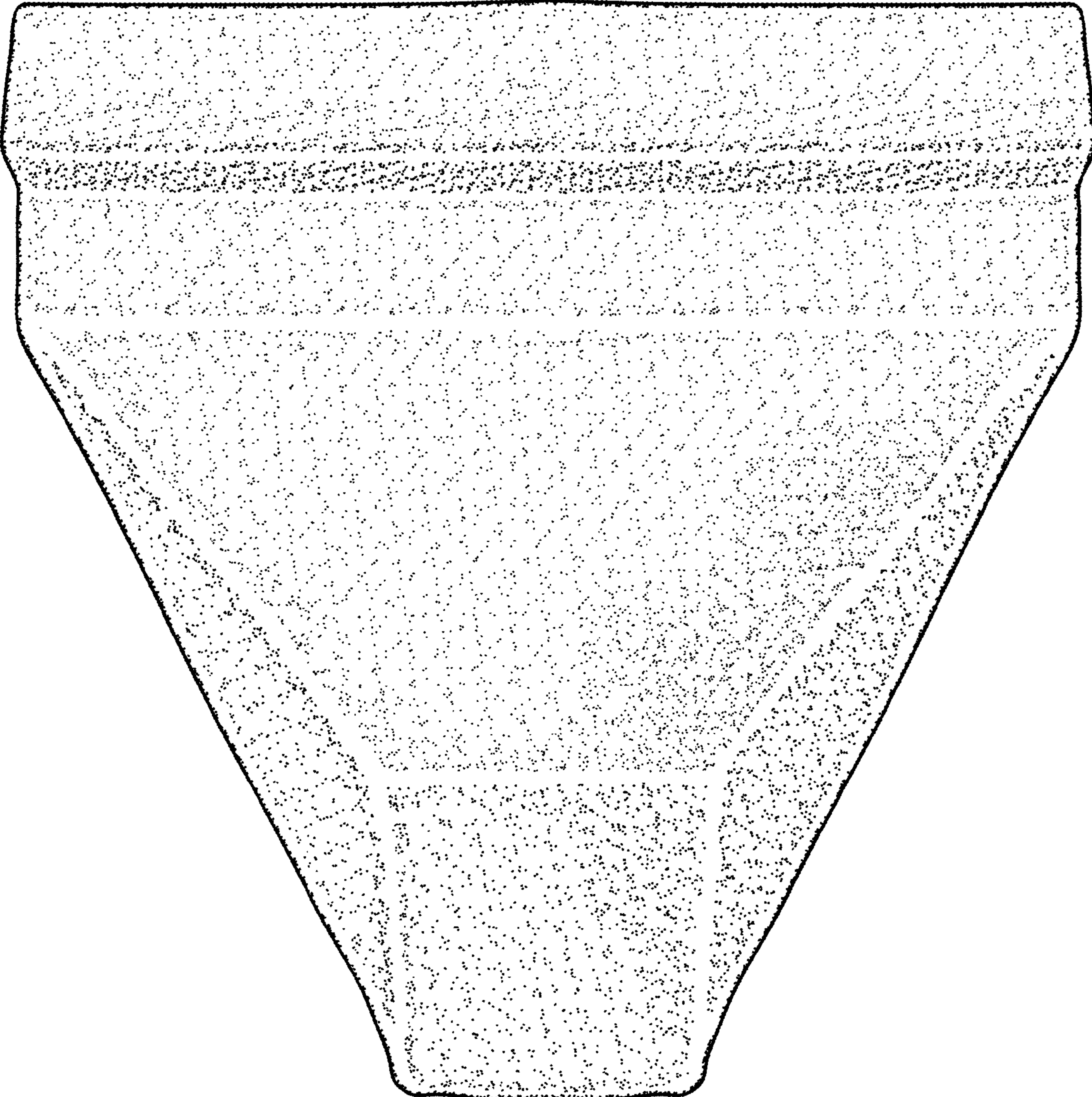


FIG. 3

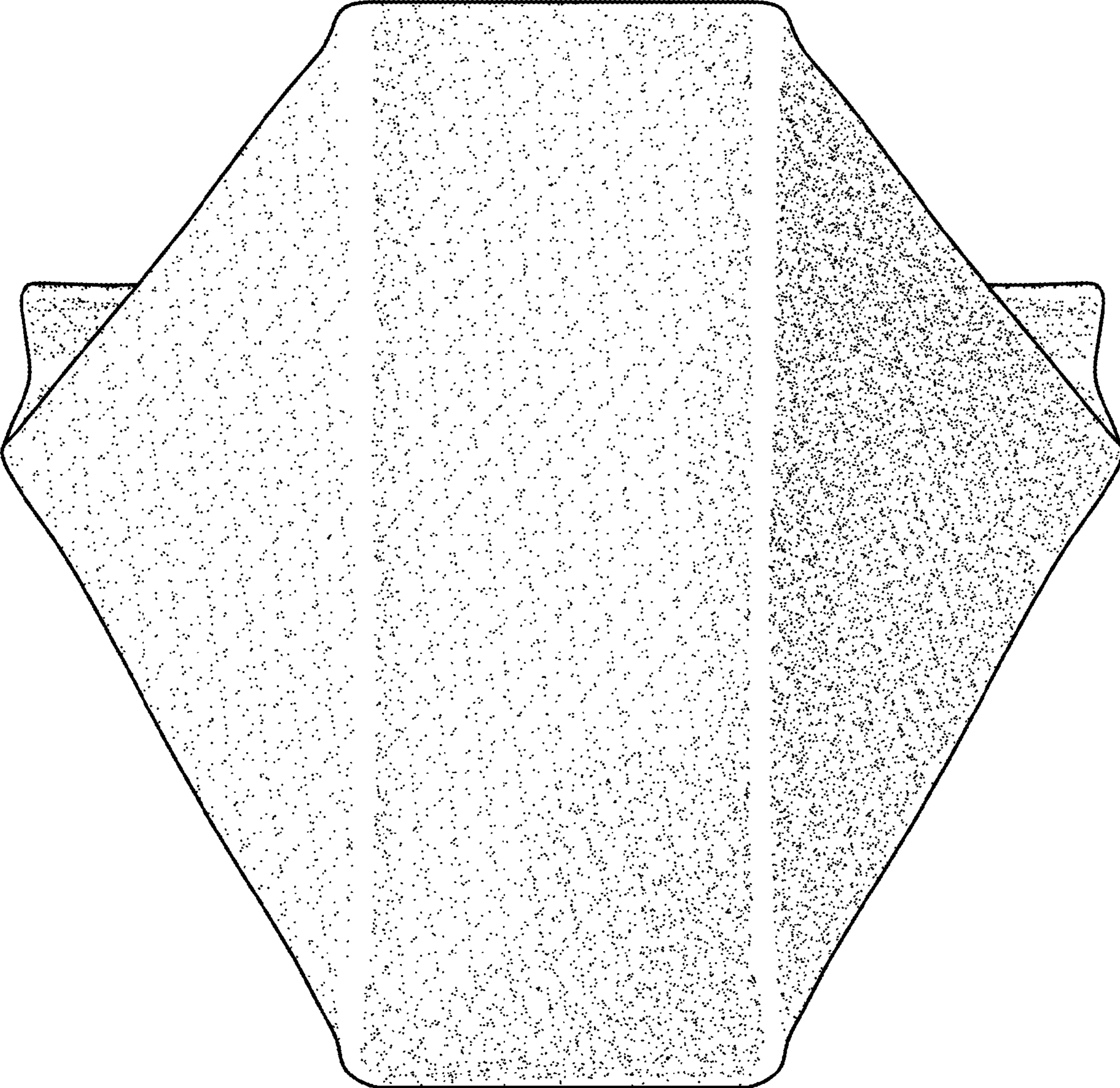


FIG. 4

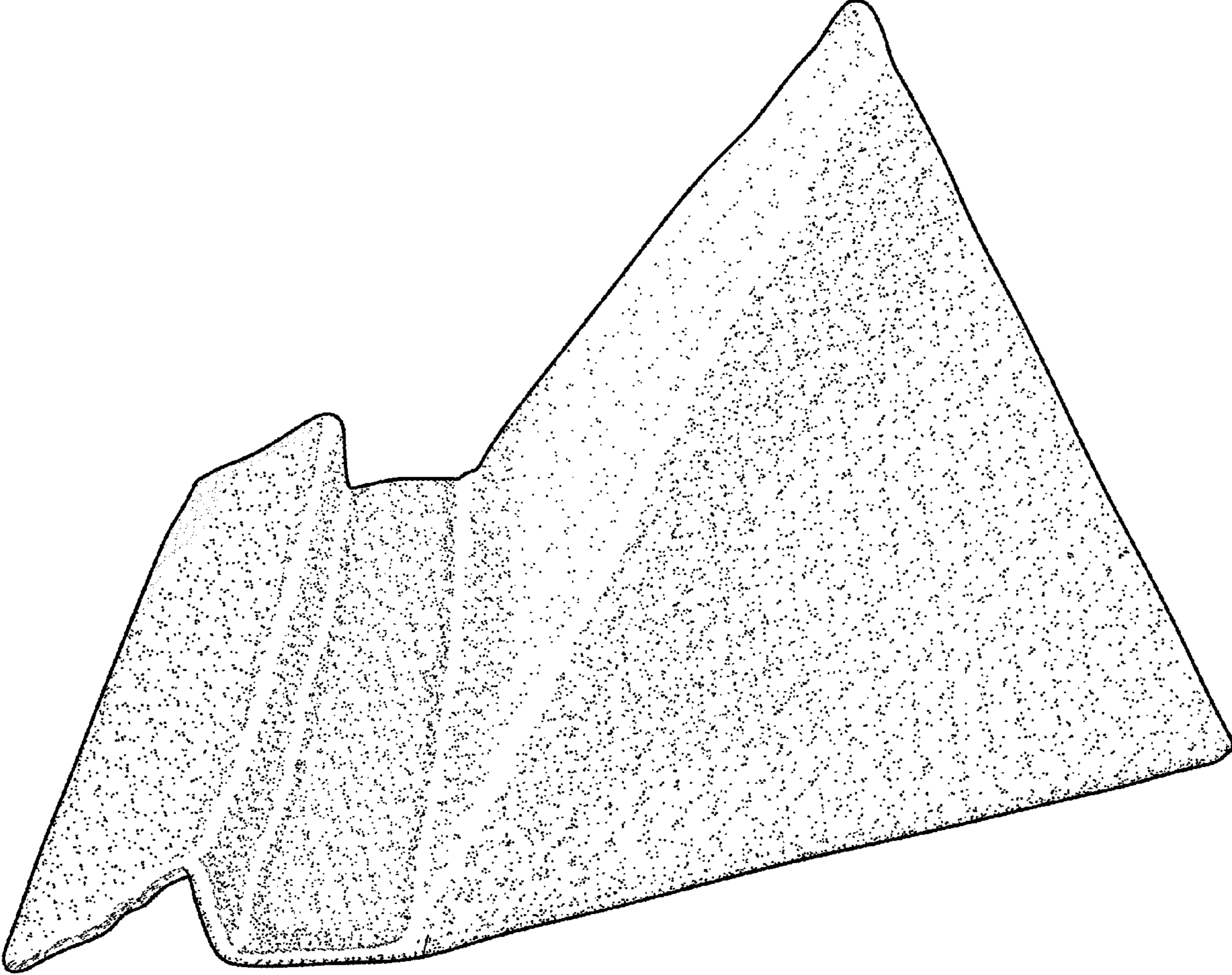


FIG. 5

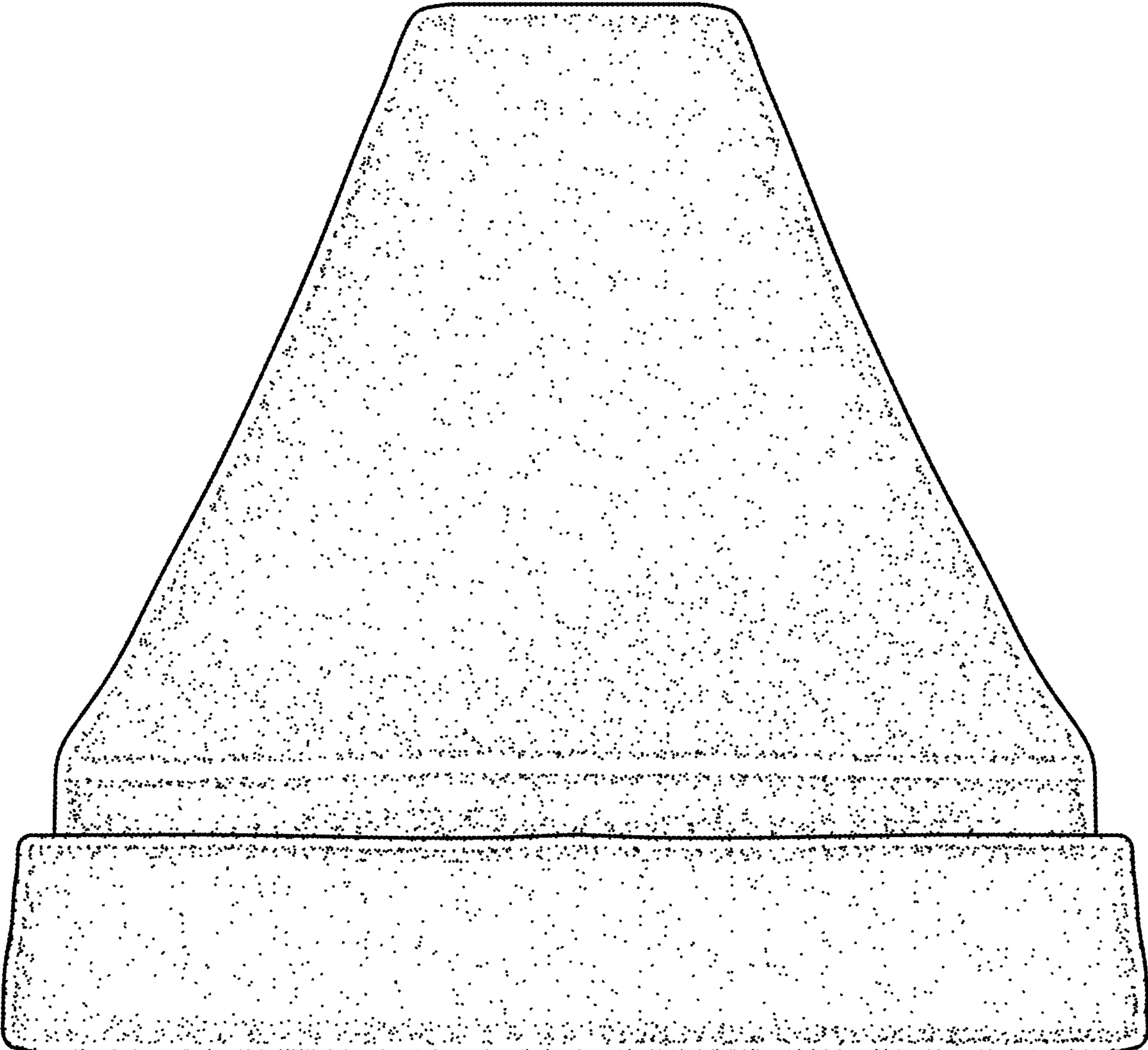


FIG. 6



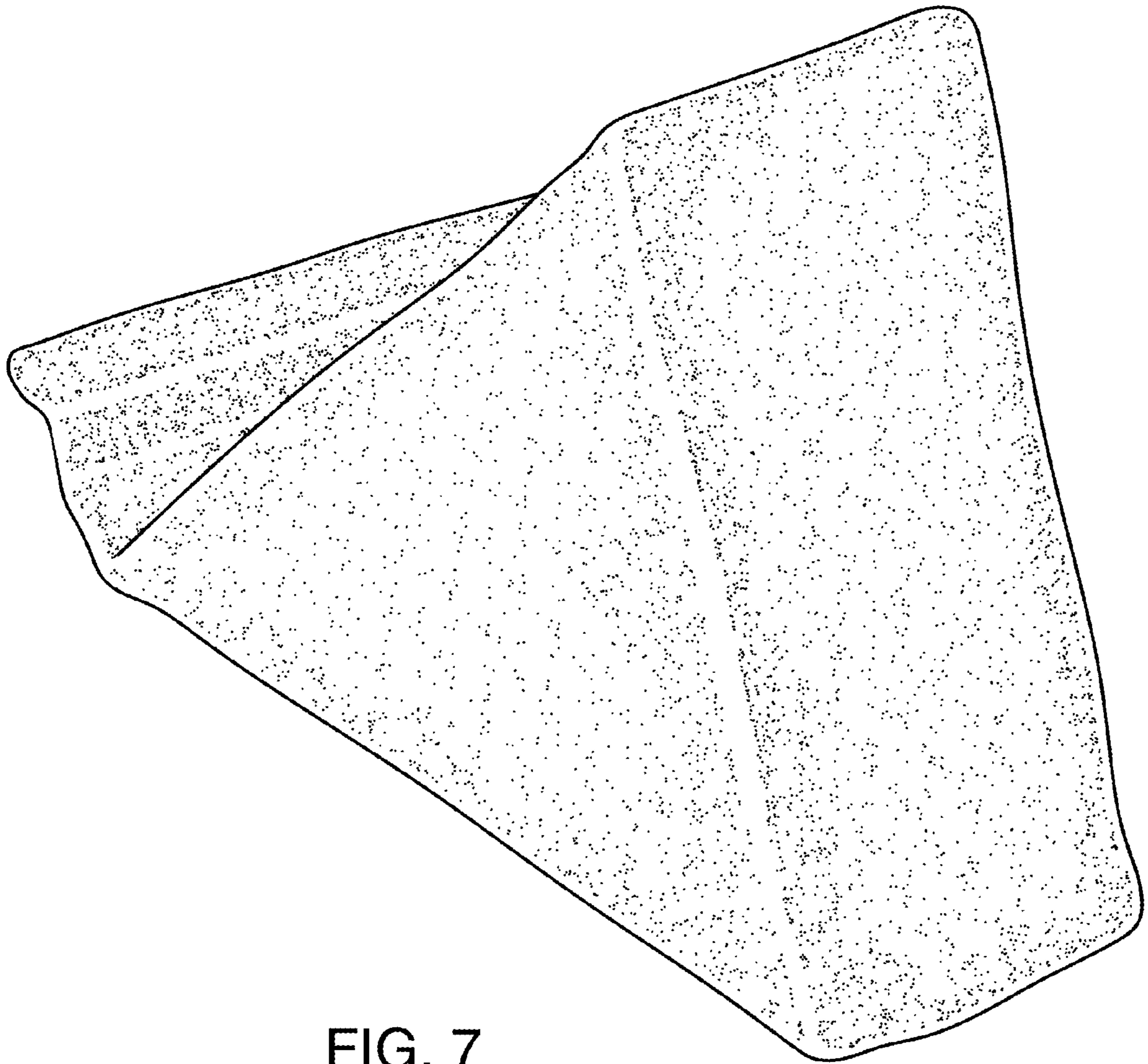


FIG. 7