



US00D967115S

(12) **United States Design Patent** (10) **Patent No.:** **US D967,115 S**
Zeng (45) **Date of Patent:** **** Oct. 18, 2022**

(54) **TABLET CASE**
(71) Applicant: **Fuyue Zeng**, Guangdong (CN)
(72) Inventor: **Fuyue Zeng**, Guangdong (CN)
(**) Term: **15 Years**
(21) Appl. No.: **29/843,591**
(22) Filed: **Jun. 22, 2022**
(51) **LOC (13) Cl.** **14-02**
(52) **U.S. Cl.**
USPC **D14/440**
(58) **Field of Classification Search**
USPC D14/440, 447, 250; 361/679.55;
206/45.23, 320, 45.2; 294/25;
455/575.8; D3/294
CPC ... G06F 1/1628; G06F 1/1626; A47B 23/044;
A45C 11/00
See application file for complete search history.

D946,579 S * 3/2022 Tan D14/440
D947,197 S 3/2022 Cheng
D949,153 S * 4/2022 Chen D14/440
D949,867 S 4/2022 Wu
D951,959 S * 5/2022 Qu D14/440
2010/0123062 A1* 5/2010 Jones F16M 11/16
248/220.21
2015/0009610 A1* 1/2015 London G06F 1/163
16/408
2017/0196327 A1* 7/2017 Ma H01R 24/62

* cited by examiner
Primary Examiner — Cynthia R Underwood
(74) *Attorney, Agent, or Firm* — ScienBiziP, P.C.

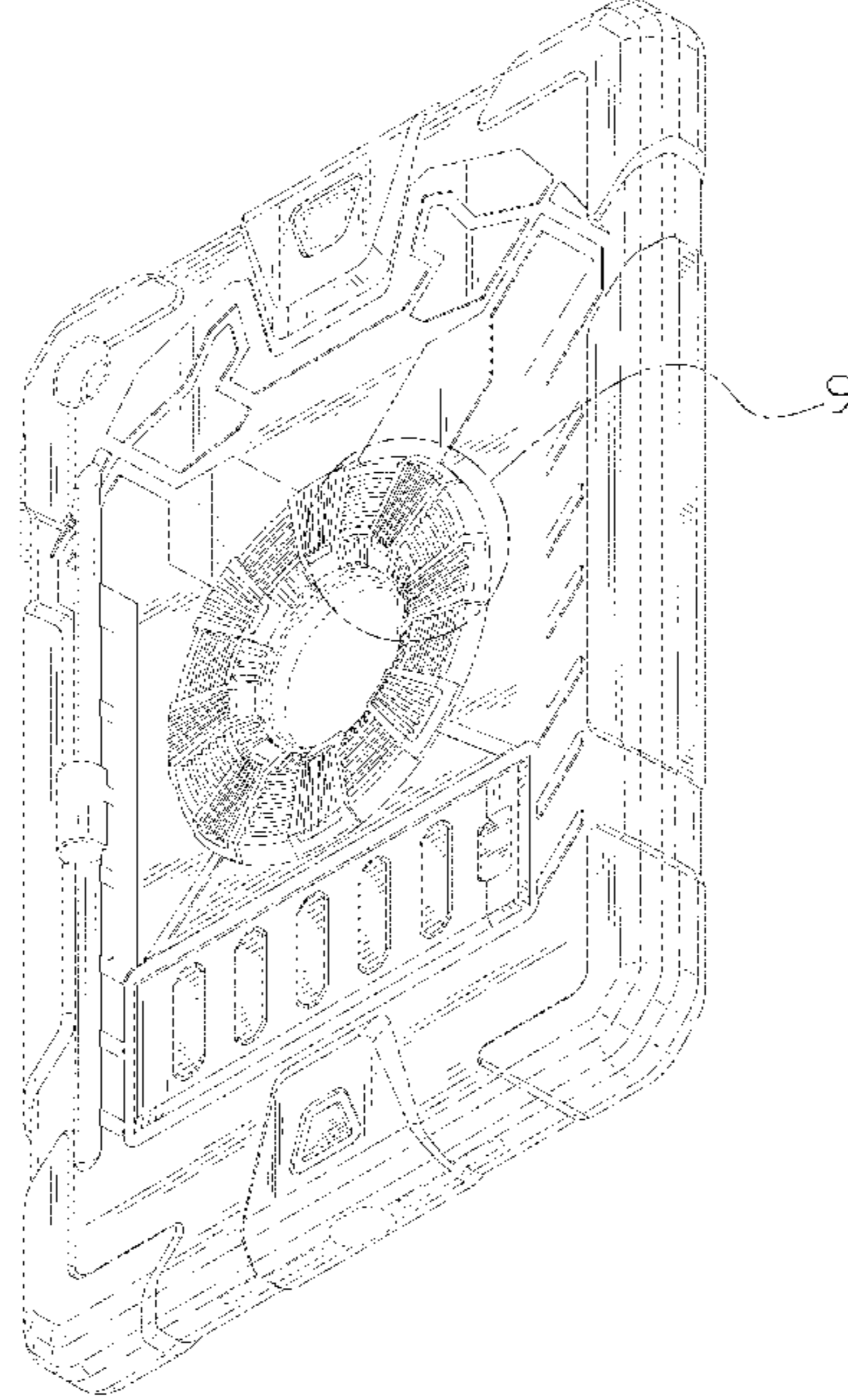
(57) **CLAIM**
The ornamental design for a tablet case, as shown and described.

DESCRIPTION

FIG. 1 is a front, right and top perspective view of a tablet case, showing my design.
FIG. 2 is a front, left and bottom perspective view thereof.
FIG. 3 is a front elevation view thereof.
FIG. 4 is a rear elevation view thereof.
FIG. 5 is a left side elevation view thereof.
FIG. 6 is a right side elevation view thereof.
FIG. 7 is a top plan view thereof.
FIG. 8 is a bottom plan view thereof; and,
FIG. 9 is a partial enlarged view of an area labeled 9 in FIG. 2.
The broken lines shown in the drawings are included for the purpose of illustrating portions of the tablet case that form no part of the claimed design. In addition, the dot-dash broken lines in FIGS. 2 and 9 depict the boundaries of the enlargements that form no part of the claimed design.

1 Claim, 9 Drawing Sheets

(56) **References Cited**
U.S. PATENT DOCUMENTS
D643,843 S * 8/2011 Hsieh D14/440
D660,305 S * 5/2012 Ho D14/447
D711,886 S * 8/2014 Kerawala D14/440
9,074,725 B2* 7/2015 Trotsky F16M 11/105
D747,321 S * 1/2016 London D14/440
D837,219 S * 1/2019 Gao D14/440
D858,507 S * 9/2019 Jang D14/251
D883,987 S * 5/2020 Cheng D14/440
D897,348 S * 9/2020 Liao D14/440
D898,036 S * 10/2020 Cheng D14/440
D912,282 S * 3/2021 Kim D26/28
D920,982 S * 6/2021 Xu D14/440
D930,002 S * 9/2021 Zhou D14/440
D937,275 S * 11/2021 Cheng D14/440
D942,456 S * 2/2022 Liao D14/440
D944,256 S * 2/2022 Cheng D14/440



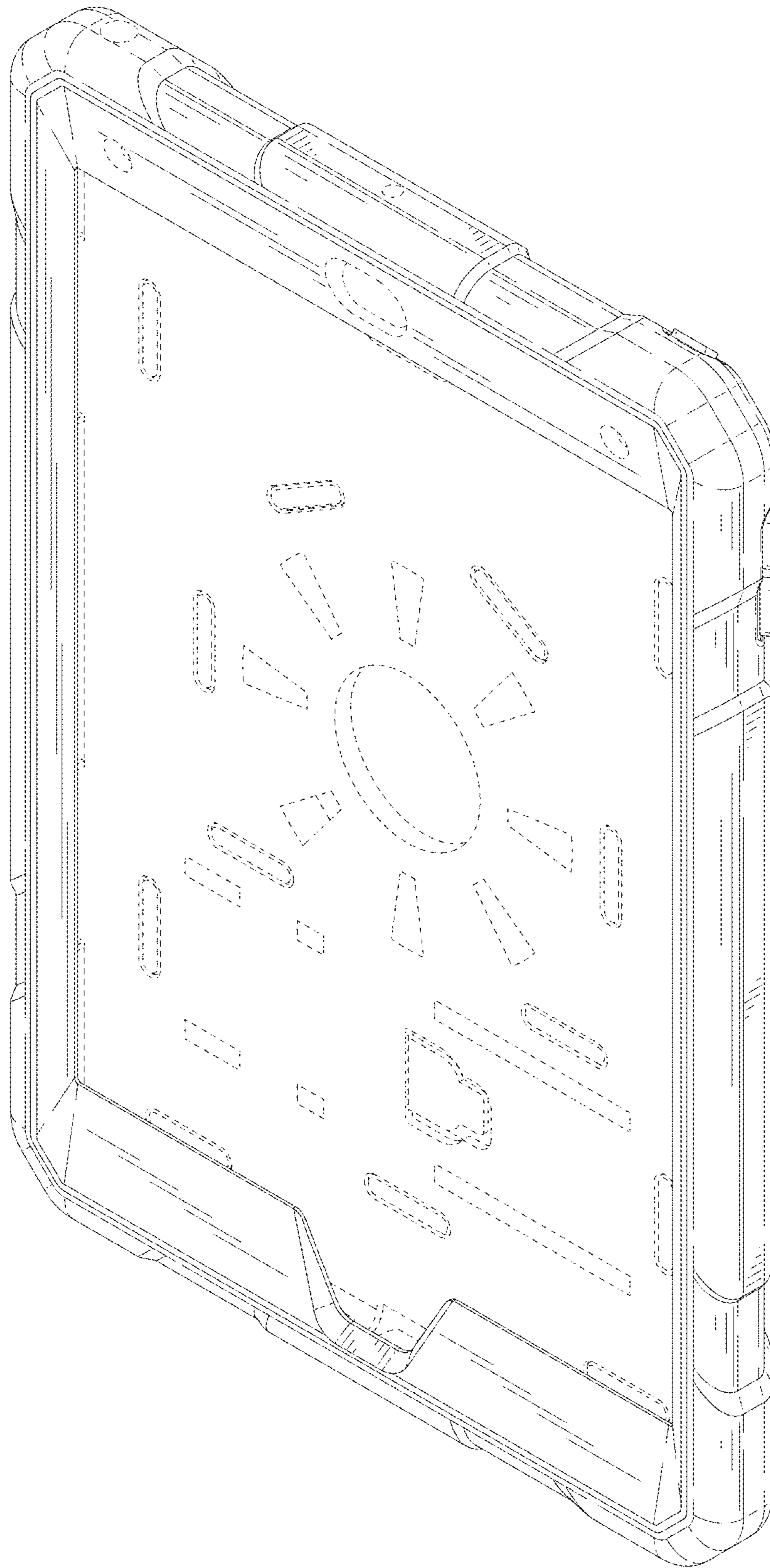


FIG. 1

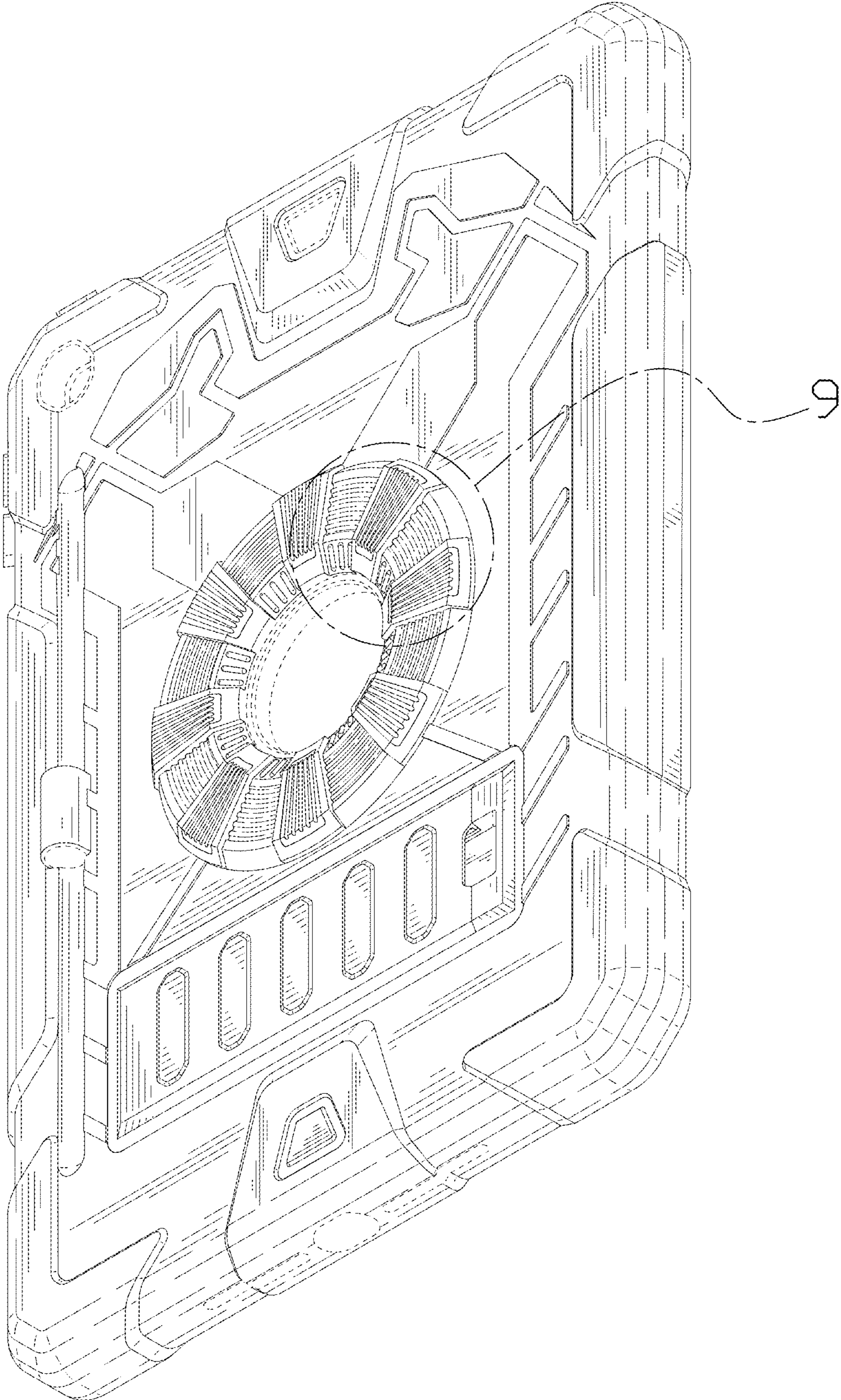


FIG. 2

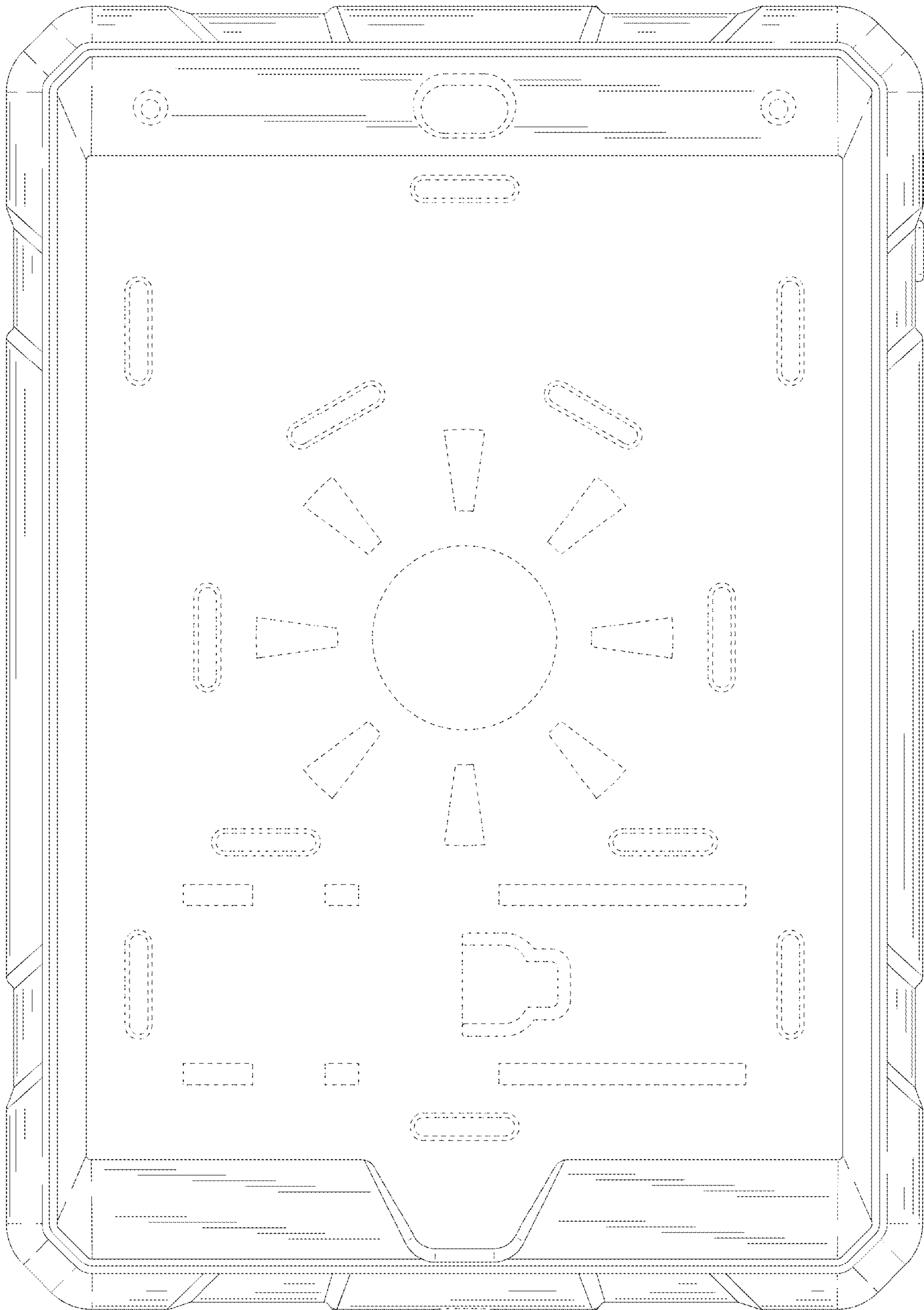


FIG. 3

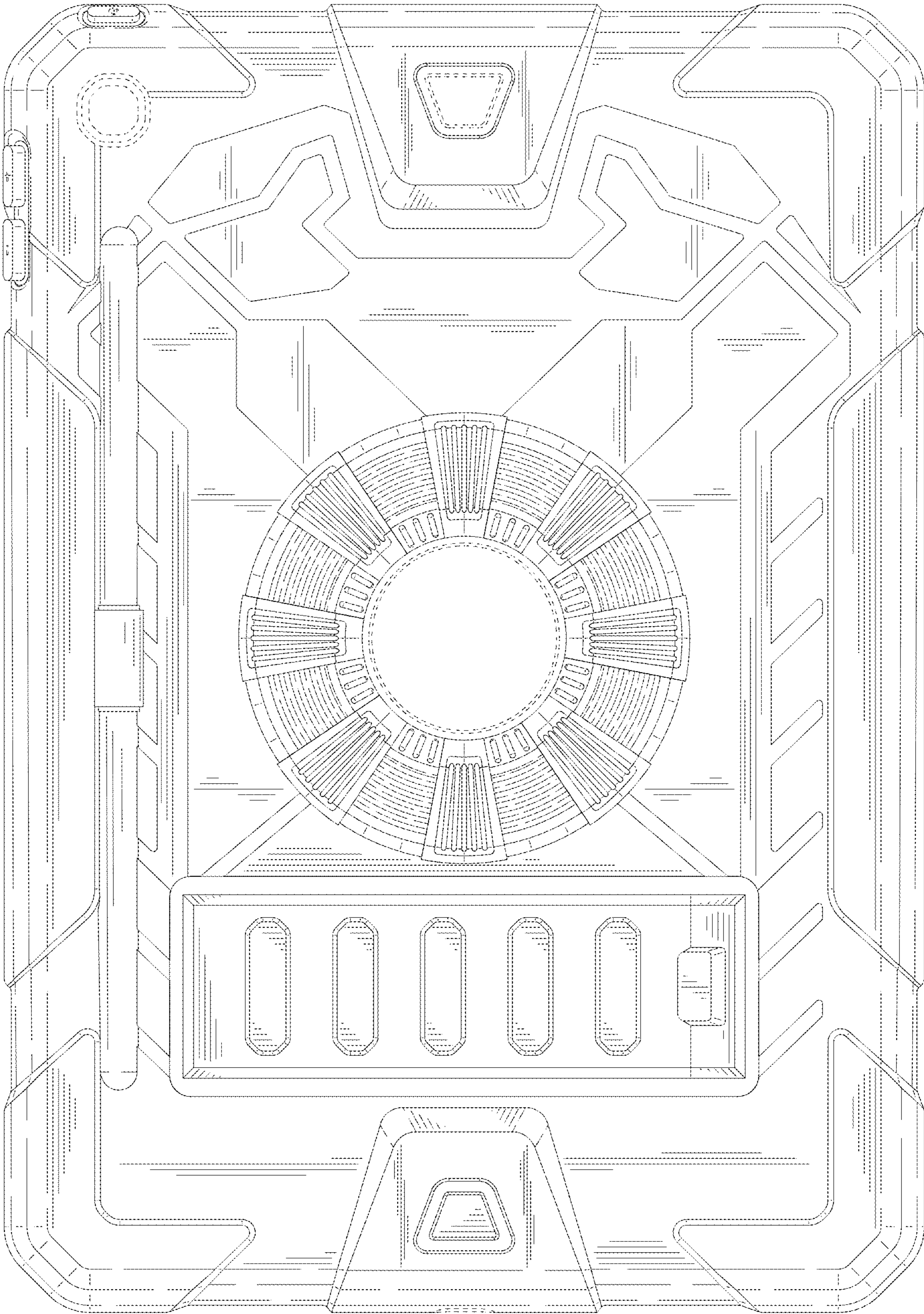


FIG. 4

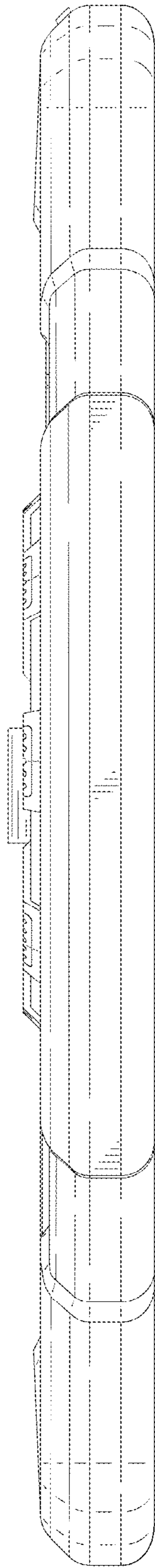


FIG. 5

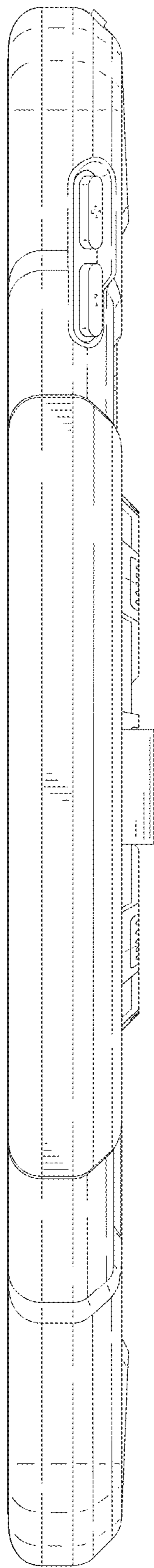


FIG. 6

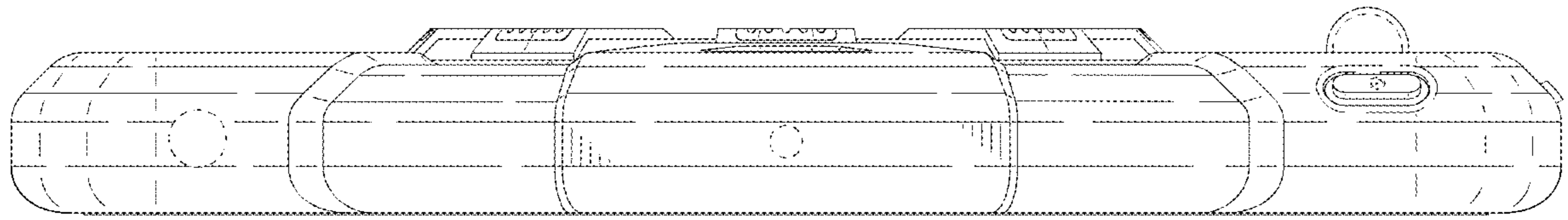


FIG. 7

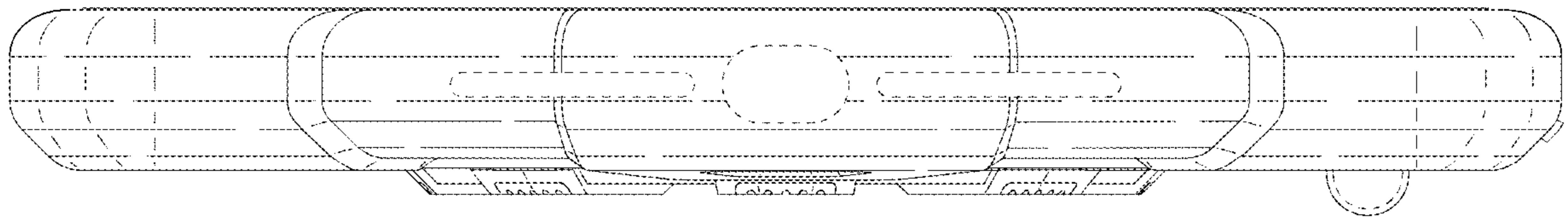


FIG. 8

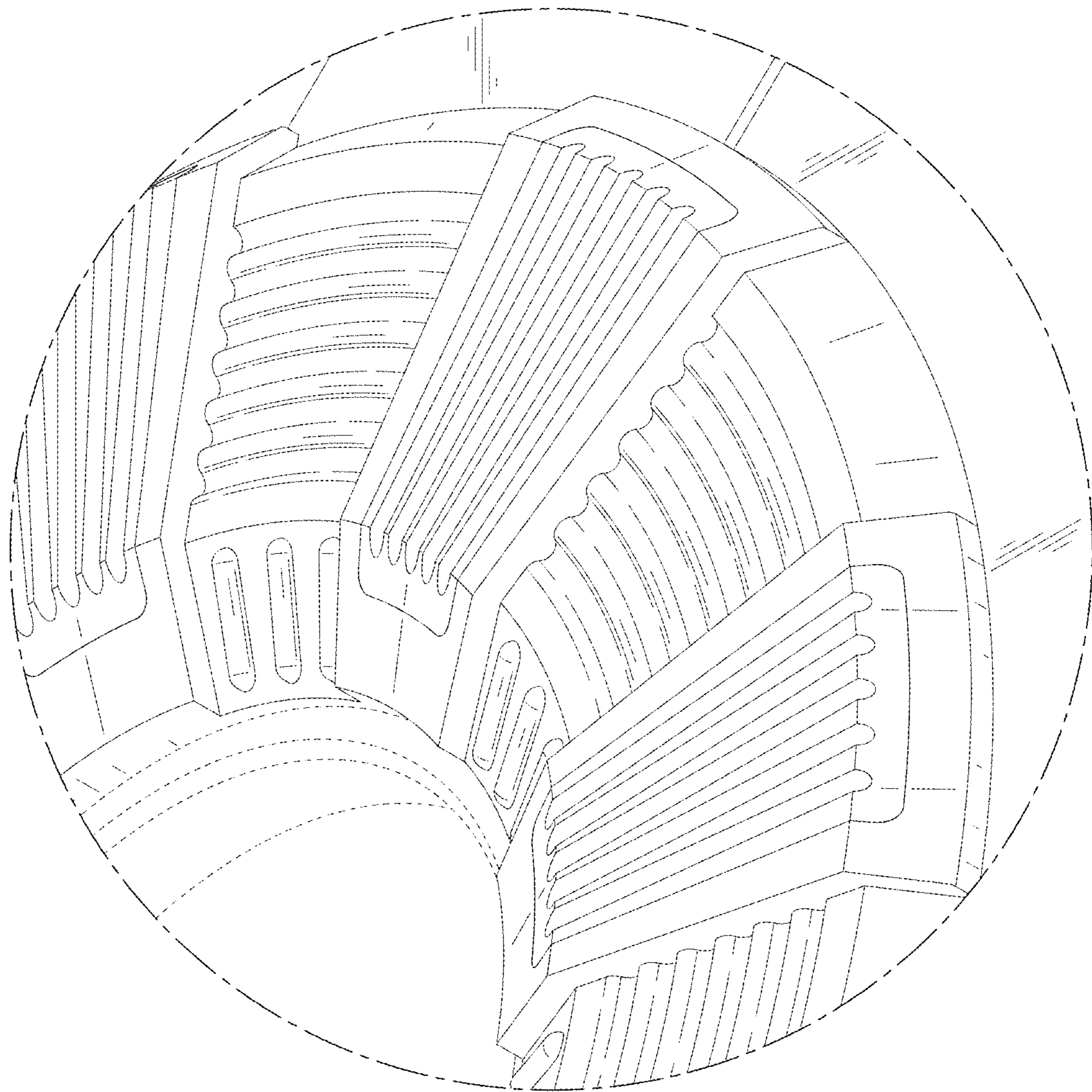


FIG. 9