



US00D967114S

(12) **United States Design Patent**  
**Piper**

(10) **Patent No.:** **US D967,114 S**

(45) **Date of Patent:** **\*\* Oct. 18, 2022**

(54) **CASE FOR PORTABLE ELECTRONIC  
COMPUTING DEVICE**

(71) Applicant: **Pioneer Square Brands, Inc.**, Seattle,  
WA (US)

(72) Inventor: **Brian Lewis Piper**, Seattle, WA (US)

(73) Assignee: **Pioneer Square Brands, Inc.**, McLean,  
VA (US)

(\*\*) Term: **15 Years**

(21) Appl. No.: **29/831,721**

(22) Filed: **Mar. 22, 2022**

(51) **LOC (13) Cl.** ..... **14-02**

(52) **U.S. Cl.**  
USPC ..... **D14/440**

(58) **Field of Classification Search**  
USPC ..... D14/440, 447; D3/276  
CPC . A45C 11/34; A45C 15/00; G06F 1/20; G06F  
1/203

See application file for complete search history.

(56) **References Cited**

**U.S. PATENT DOCUMENTS**

D663,304 S	*	7/2012	Akana	.....	D14/440
D665,168 S	*	8/2012	Dawson	.....	D3/276
D673,158 S	*	12/2012	Yang	.....	D14/440
D689,056 S	*	9/2013	Li	.....	D14/440
D696,257 S	*	12/2013	Ward	.....	D14/440
D723,569 S		3/2015	Peng		
D724,091 S	*	3/2015	Gelsomini	.....	D14/440
D729,255 S	*	5/2015	Kilkenny	.....	D14/440
D763,853 S	*	8/2016	Pearce	.....	D14/440
D784,349 S	*	4/2017	Schwibner	.....	D14/440
D803,221 S	*	11/2017	Guo	.....	D14/440
D806,083 S		12/2017	Armstrong et al.		
D808,395 S		1/2018	Fenton		
D810,732 S		2/2018	Fenton et al.		
D811,410 S	*	2/2018	Burmester	.....	D14/440

D816,087 S		4/2018	Fenton et al.		
D817,334 S		5/2018	Fenton et al.		
D832,269 S	*	10/2018	Cheng	.....	D14/440
D835,625 S	*	12/2018	Li	.....	D14/440
D837,796 S		1/2019	Kim et al.		
D837,797 S	*	1/2019	Wright	.....	D14/440
D852,201 S		1/2019	Chan et al.		
D841,012 S		2/2019	Kim et al.		
D841,013 S		2/2019	Ferren et al.		

(Continued)

**FOREIGN PATENT DOCUMENTS**

FR		2985160	A3	*	7/2013	.....	A45C 11/00
KR		300635178.0000		*	3/2012		

**OTHER PUBLICATIONS**

Best ipad cases 2022, Esquire article, date visited Aug. 12, 2022,  
<https://www.esquire.com/lifestyle/g39438513/best-ipad-cases/>.\*

*Primary Examiner* — John R Yeh

(74) *Attorney, Agent, or Firm* — Grandview Law

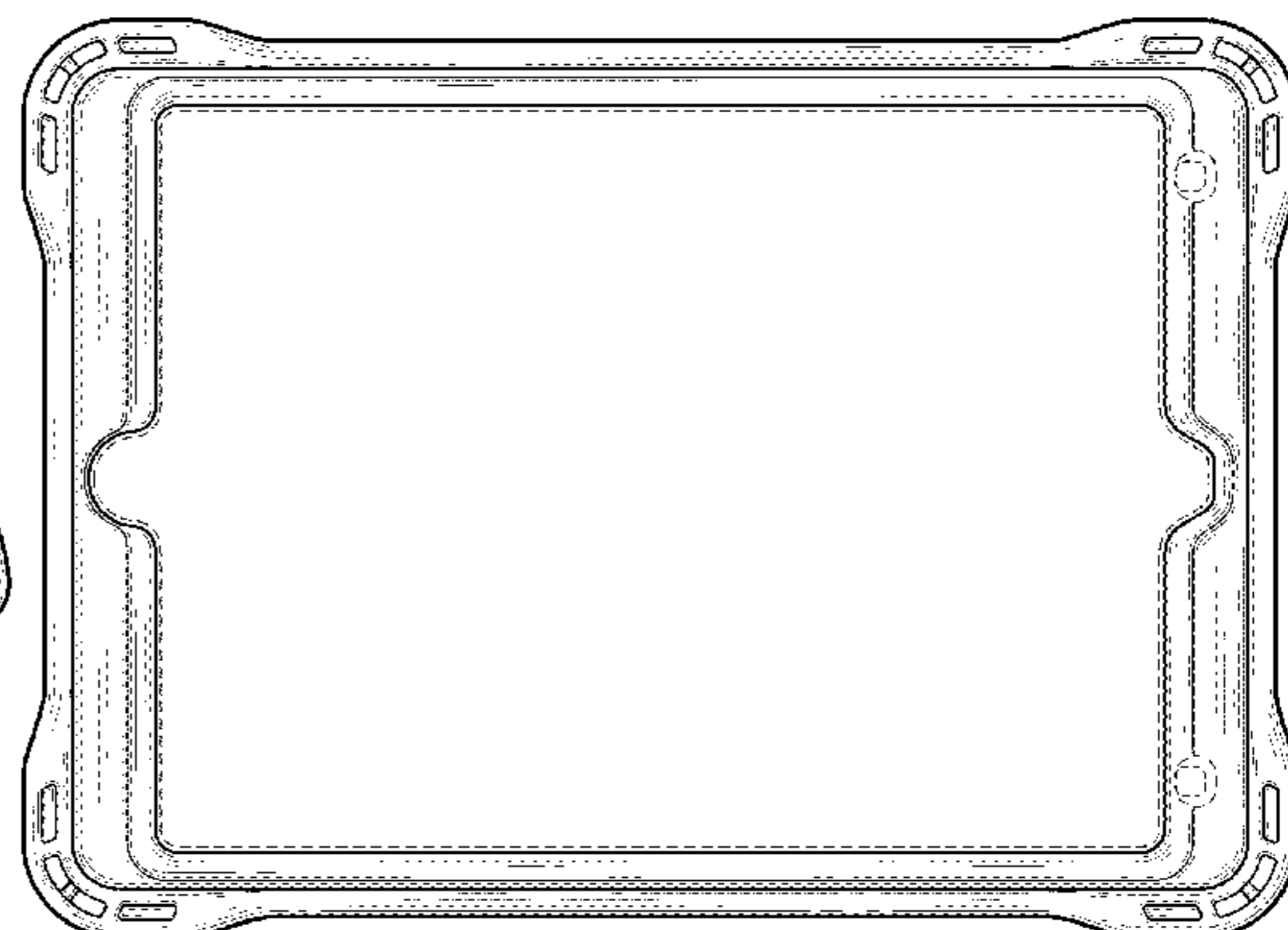
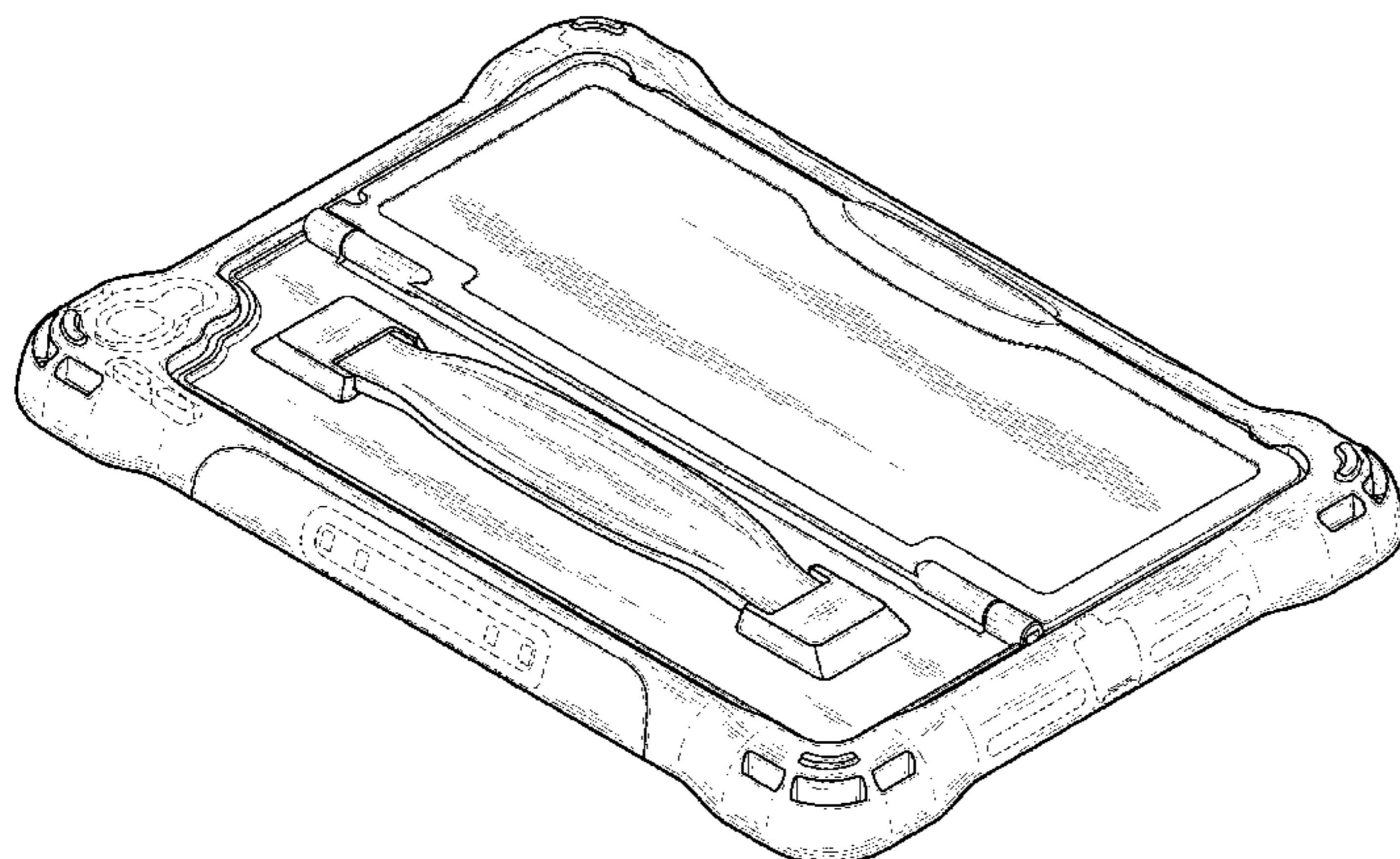
(57) **CLAIM**

The ornamental design for a case for portable electronic computing device, as shown and described.

**DESCRIPTION**

FIG. 1 is a bottom perspective view of a case for portable electronic computing device showing my new design. FIG. 2 is a top perspective view thereof. FIG. 3 is a bottom plan view thereof. FIG. 4 is a top plan view thereof. FIG. 5 is a front elevational view thereof. FIG. 6 is a rear elevational view thereof. FIG. 7 is a left elevational view thereof; and, FIG. 8 is a right elevational view thereof. The broken lines in the drawings depict features that form no part of the claimed design.

**1 Claim, 5 Drawing Sheets**



(56)

**References Cited**

U.S. PATENT DOCUMENTS

D861,698 S	2/2019	Fenton et al.	
D844,611 S	4/2019	Ferren et al.	
D848,441 S	5/2019	Ferren et al.	
D850,454 S	6/2019	Kim et al.	
D852,199 S	6/2019	Kim et al.	
D852,200 S	6/2019	Chan et al.	
D863,314 S	7/2019	Chan et al.	
D863,315 S	7/2019	Chan et al.	
D864,210 S	7/2019	Chan et al.	
D863,316 S	9/2019	Chan et al.	
D862,478 S *	10/2019	Ahn .....	D14/440
D862,480 S	10/2019	Chan et al.	
D863,313 S *	10/2019	Li .....	D14/440
D863,317 S	10/2019	Piper et al.	
D874,467 S	2/2020	Piper et al.	
D883,987 S	5/2020	Cheng	
D888,063 S	6/2020	Chan et al.	
D892,806 S	8/2020	Manzano et al.	
D895,630 S	9/2020	Piper et al.	
D897,349 S *	9/2020	Li .....	D14/440
D898,035 S *	10/2020	Xu .....	D14/440
D898,036 S	10/2020	Cheng	
D898,747 S *	10/2020	Deng .....	D14/440
D902,934 S	11/2020	Manzano et al.	
D906,337 S	12/2020	Cheng	
D913,294 S *	3/2021	Li .....	D14/440
D913,295 S	3/2021	Piper et al.	
D920,336 S	5/2021	Cheng	
D920,337 S	5/2021	Chan et al.	
D920,983 S	6/2021	Chan et al.	
D922,392 S	6/2021	Chan et al.	
D926,193 S	7/2021	Ma	
D926,194 S	7/2021	Piper et al.	
D934,262 S	10/2021	Manzano et al.	
D937,273 S *	11/2021	Wei .....	D14/440
D941,297 S *	1/2022	Wright .....	D14/440

\* cited by examiner

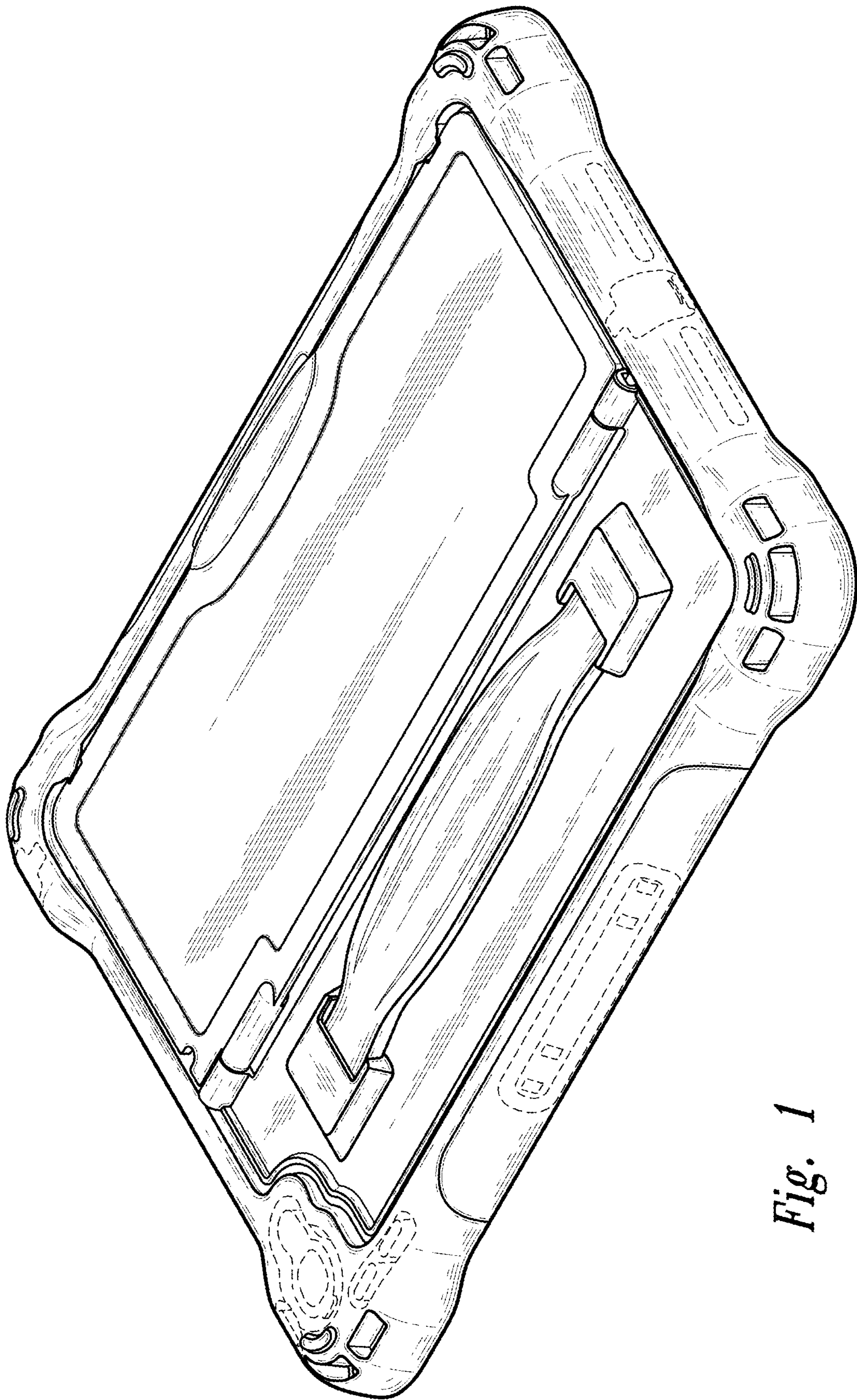
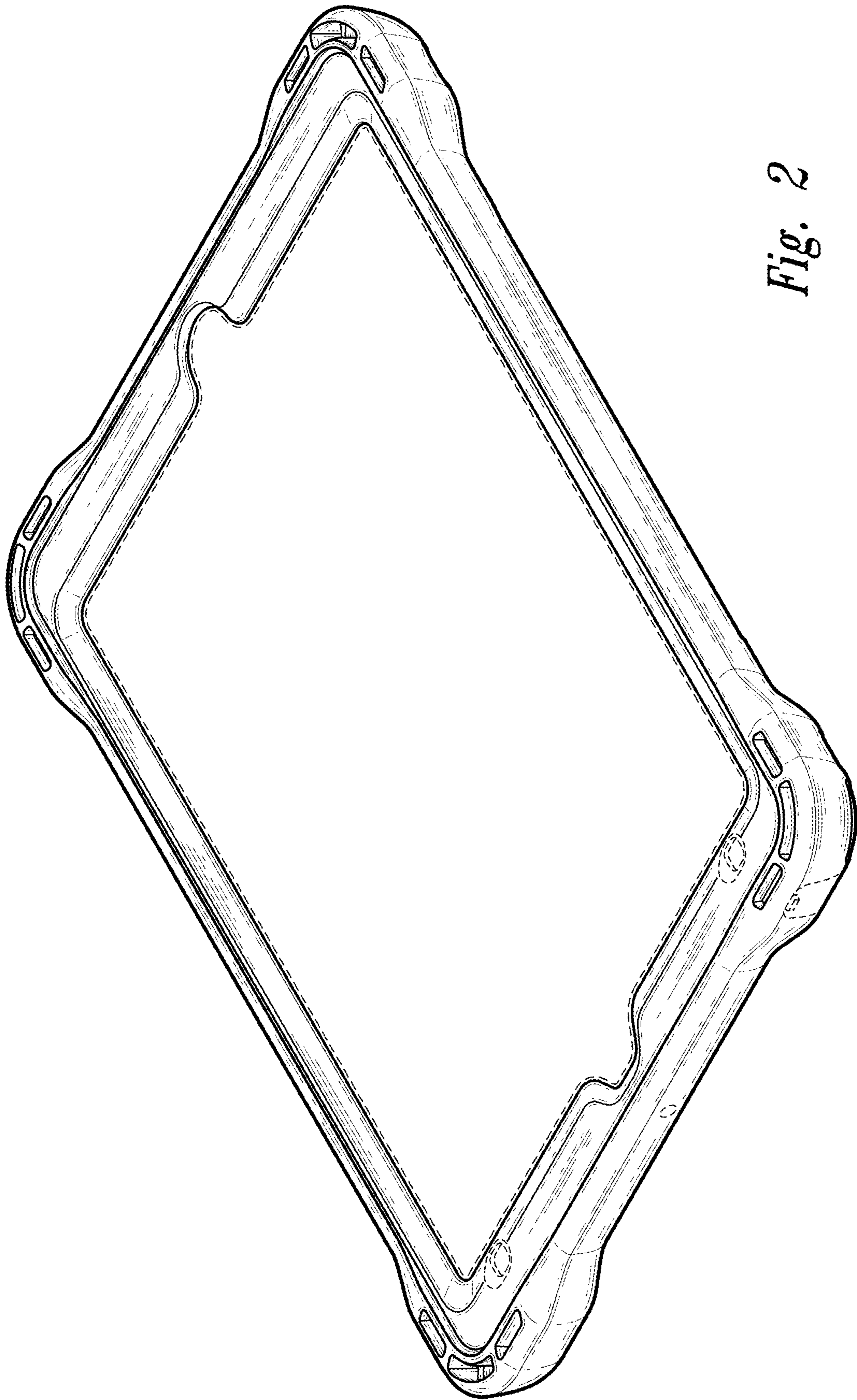
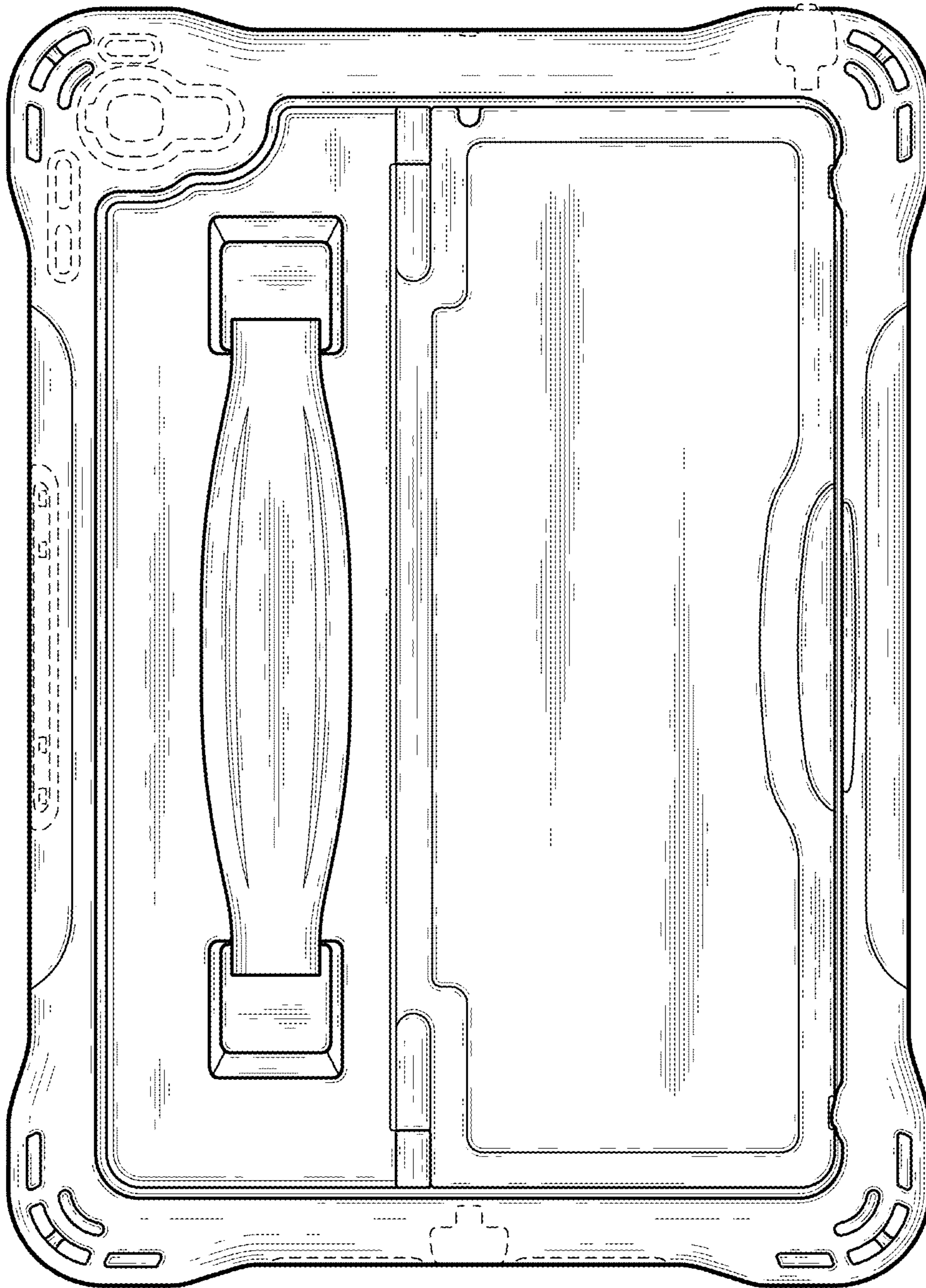


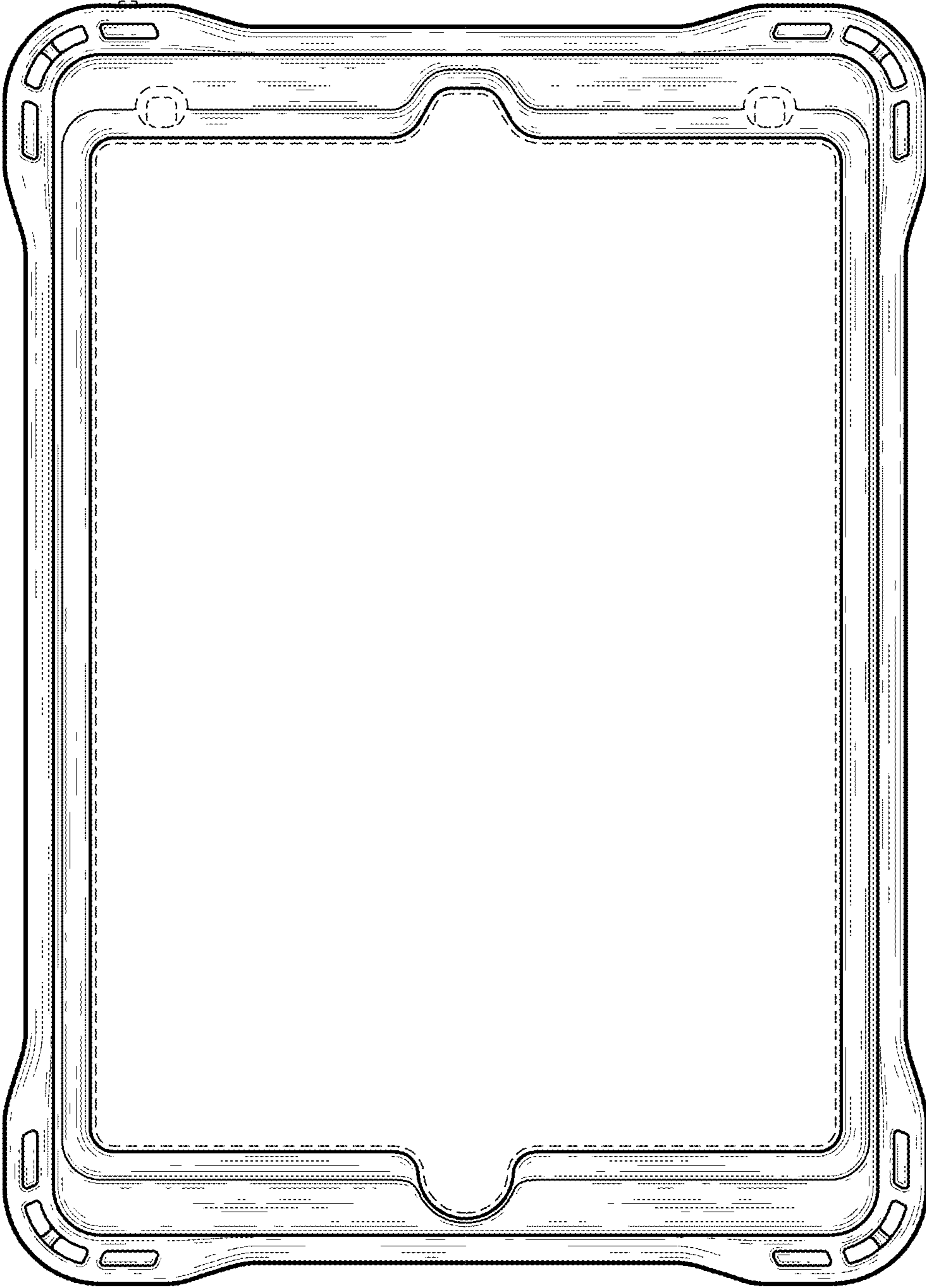
Fig. 1



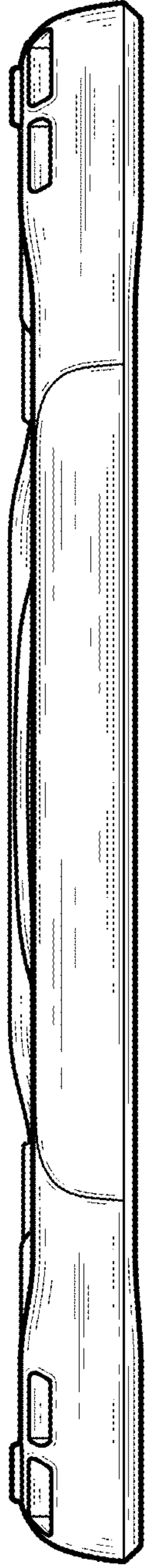
*Fig. 2*



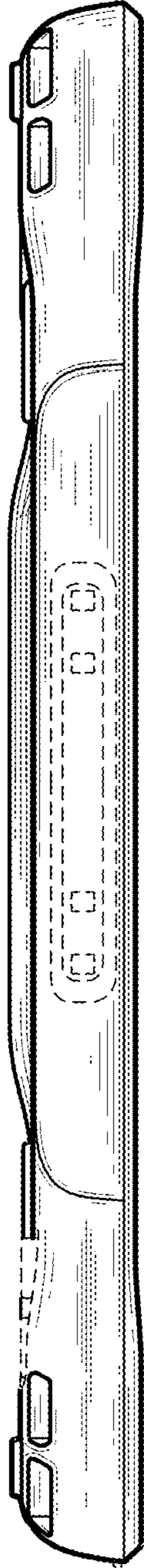
*Fig. 3*



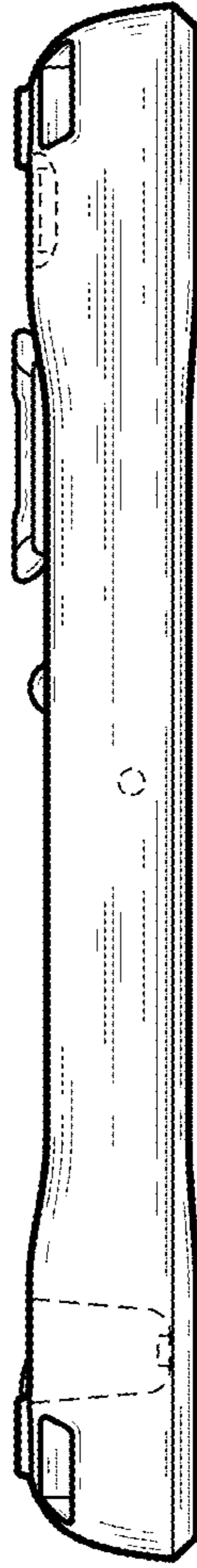
*Fig. 4*



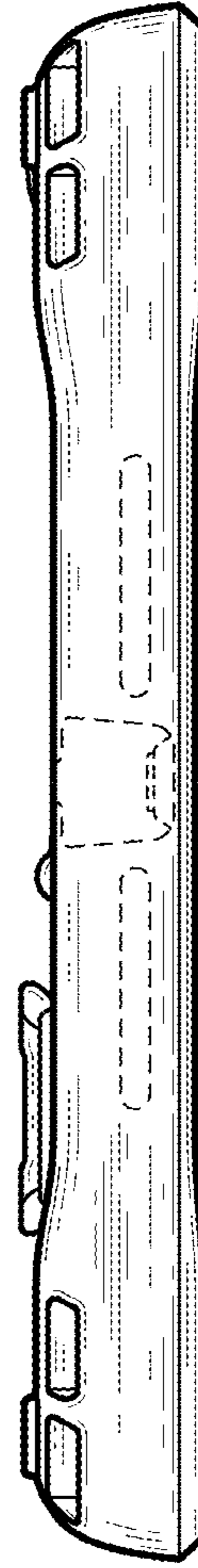
*Fig. 5*



*Fig. 6*



*Fig. 7*



*Fig. 8*