

US00D967113S

(12) **United States Design Patent**
Chang

(10) **Patent No.:** **US D967,113 S**

(45) **Date of Patent:** **** Oct. 18, 2022**

(54) **TABLET CASE**

(71) Applicant: **Guiyi Chang**, Shiyuan (CN)

(72) Inventor: **Guiyi Chang**, Shiyuan (CN)

(**) Term: **15 Years**

(21) Appl. No.: **29/817,384**

(22) Filed: **Dec. 1, 2021**

(51) **LOC (13) Cl.** **14-02**

(52) **U.S. Cl.**
USPC **D14/440**

(58) **Field of Classification Search**
USPC D14/440, 447; D3/276
CPC . A45C 11/34; A45C 15/00; G06F 1/20; G06F
1/203
See application file for complete search history.

(56) **References Cited**

U.S. PATENT DOCUMENTS

- D658,187 S * 4/2012 Diebel G06F 1/1628
D14/440
- D663,304 S * 7/2012 Akana D14/440
- D665,168 S * 8/2012 Dawson D3/276
- D673,158 S * 12/2012 Yang D14/440
- D689,054 S * 9/2013 Snyder D14/440
- D693,823 S * 11/2013 Chen D14/440
- D696,669 S * 12/2013 Akana D14/440
- D700,186 S * 2/2014 Feng D14/447
- D707,683 S * 6/2014 Nam-Su D14/440
- D710,857 S * 8/2014 Mecchella D14/440
- D720,355 S * 12/2014 Akana D14/440
- D735,205 S * 7/2015 Akana D14/440
- D792,884 S * 7/2017 Nyholm D14/440
- D801,343 S * 10/2017 Akana D14/440
- D817,334 S * 5/2018 Fenton D14/440
- D823,854 S * 7/2018 Enqvist D14/440
- D832,856 S * 11/2018 Jinkinson D14/440
- D851,648 S 6/2019 Tan
- D864,210 S * 10/2019 Chan D14/440
- D868,072 S 11/2019 Lei

- D889,474 S * 7/2020 Akana D14/440
- D897,349 S * 9/2020 Li D14/440
- D898,035 S * 10/2020 Xu D14/440
- 10,892,625 B1 * 1/2021 Franklin A45C 15/00
- D923,629 S * 6/2021 Ma D14/440
- D942,459 S * 2/2022 Akana D14/440

FOREIGN PATENT DOCUMENTS

- FR 2985160 A3 * 7/2013 A45C 11/00
- KR 300635178.0000 * 3/2012 14/99

OTHER PUBLICATIONS

Best ipad cases 2022, Esquire article, date visited Aug. 12, 2022,
<https://www.esquire.com/lifestyle/g39438513/best-ipad-cases/>.*

* cited by examiner

Primary Examiner — John R Yeh

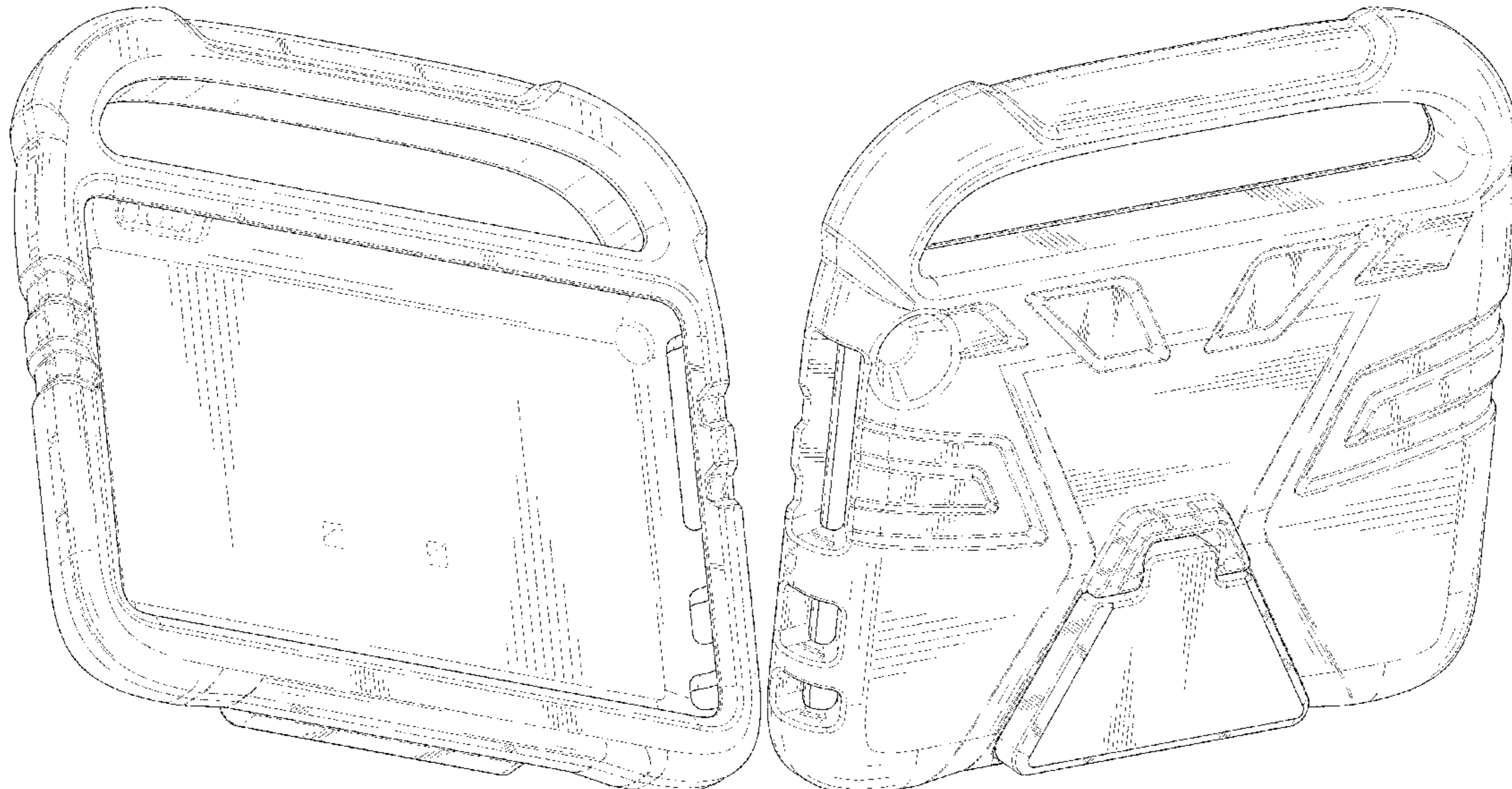
(57) **CLAIM**

The ornamental design for a tablet case, as shown and described.

DESCRIPTION

FIG. 1 is a perspective view of a tablet case showing my new design;
 FIG. 2 is another perspective view thereof;
 FIG. 3 is a front elevational view thereof;
 FIG. 4 is a rear elevational view thereof;
 FIG. 5 is a left side elevational view thereof;
 FIG. 6 is a right side elevational view thereof;
 FIG. 7 is a top plan view thereof;
 FIG. 8 is a bottom plan view thereof; and,
 FIG. 9 is a perspective view of the tablet case where a kickstand is in an open state.
 The broken lines in the drawings depict portions of the tablet case that form no part of the claimed design.

1 Claim, 9 Drawing Sheets



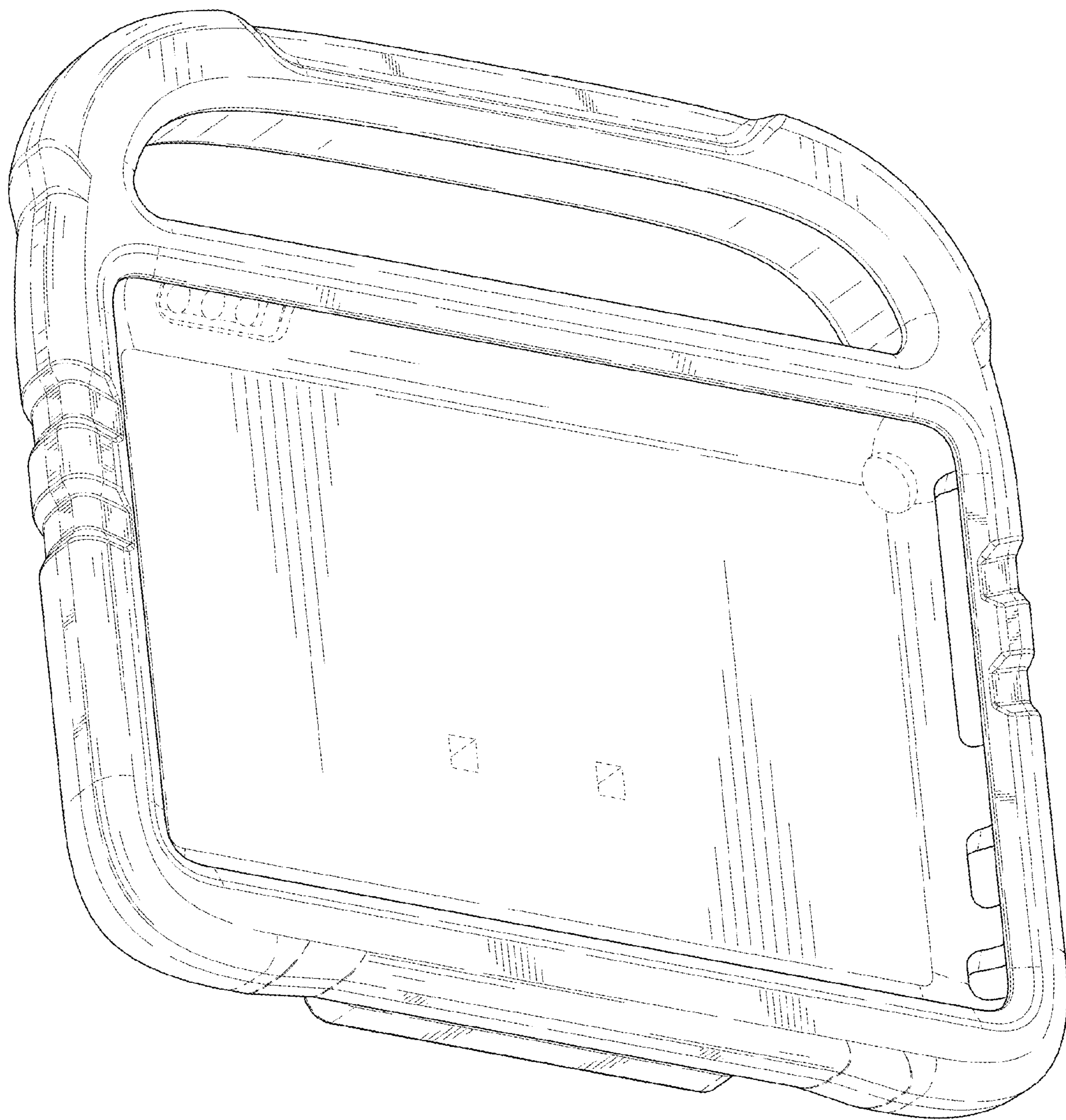


FIG. 1

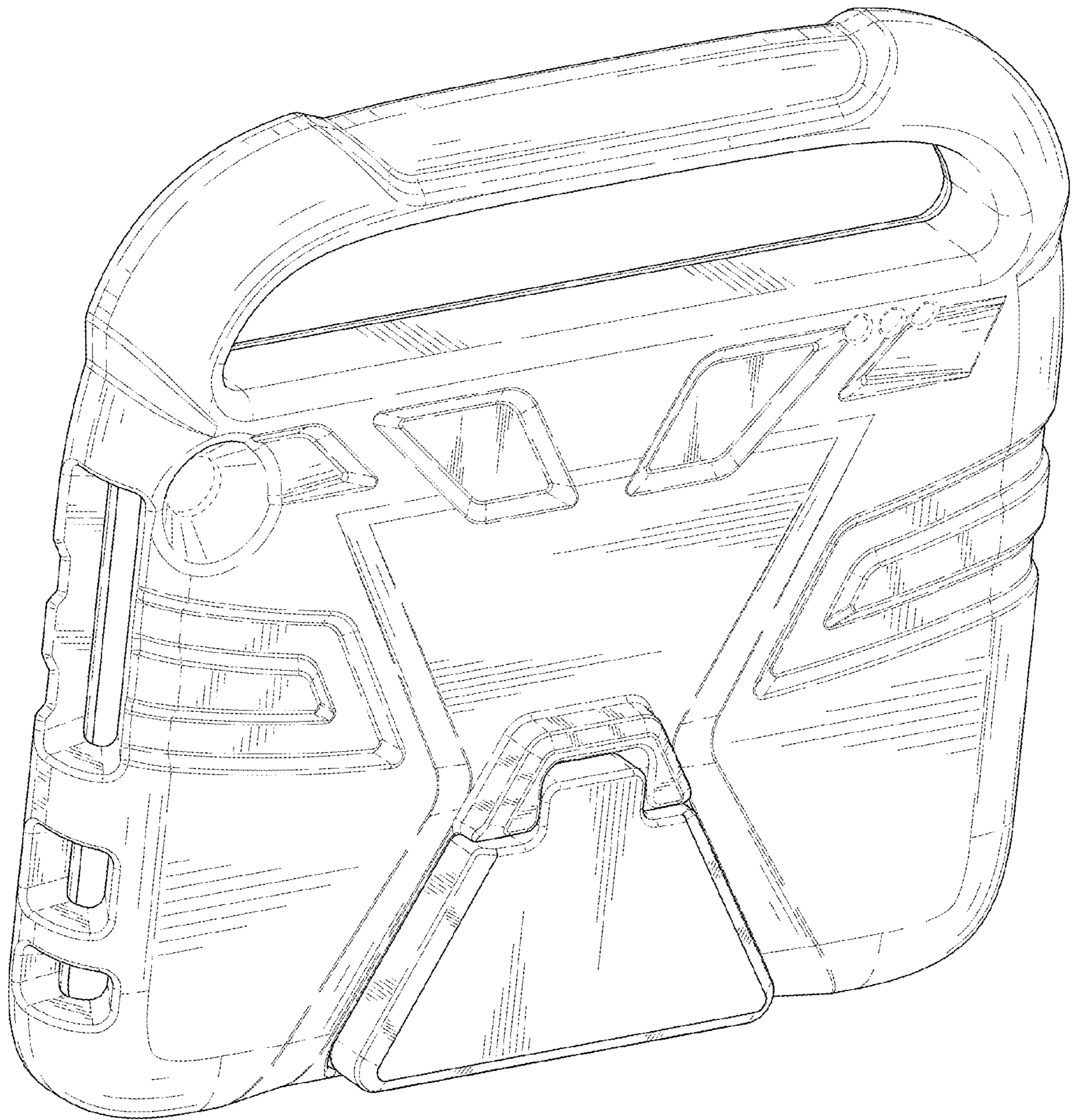


FIG. 2

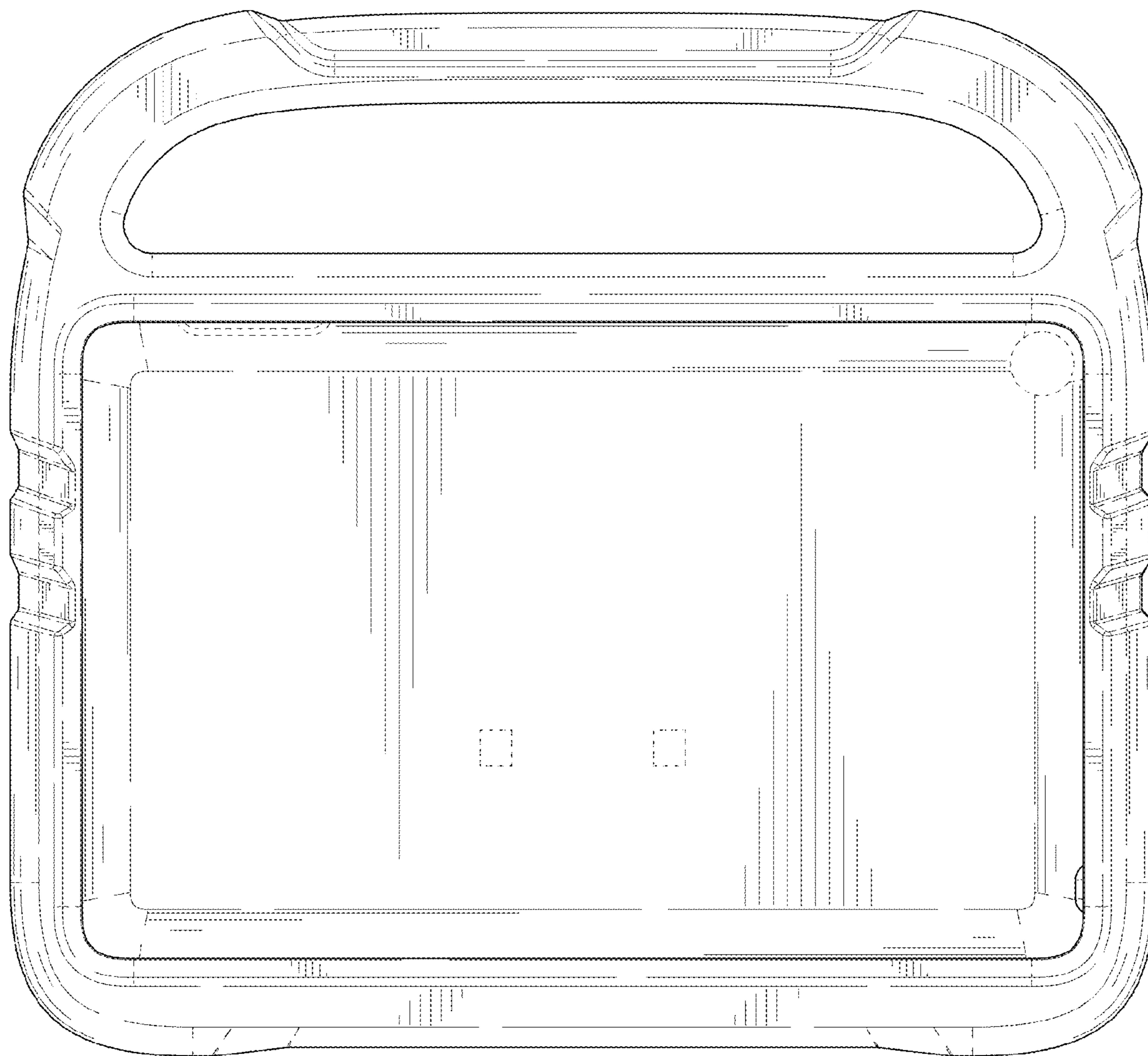


FIG. 3

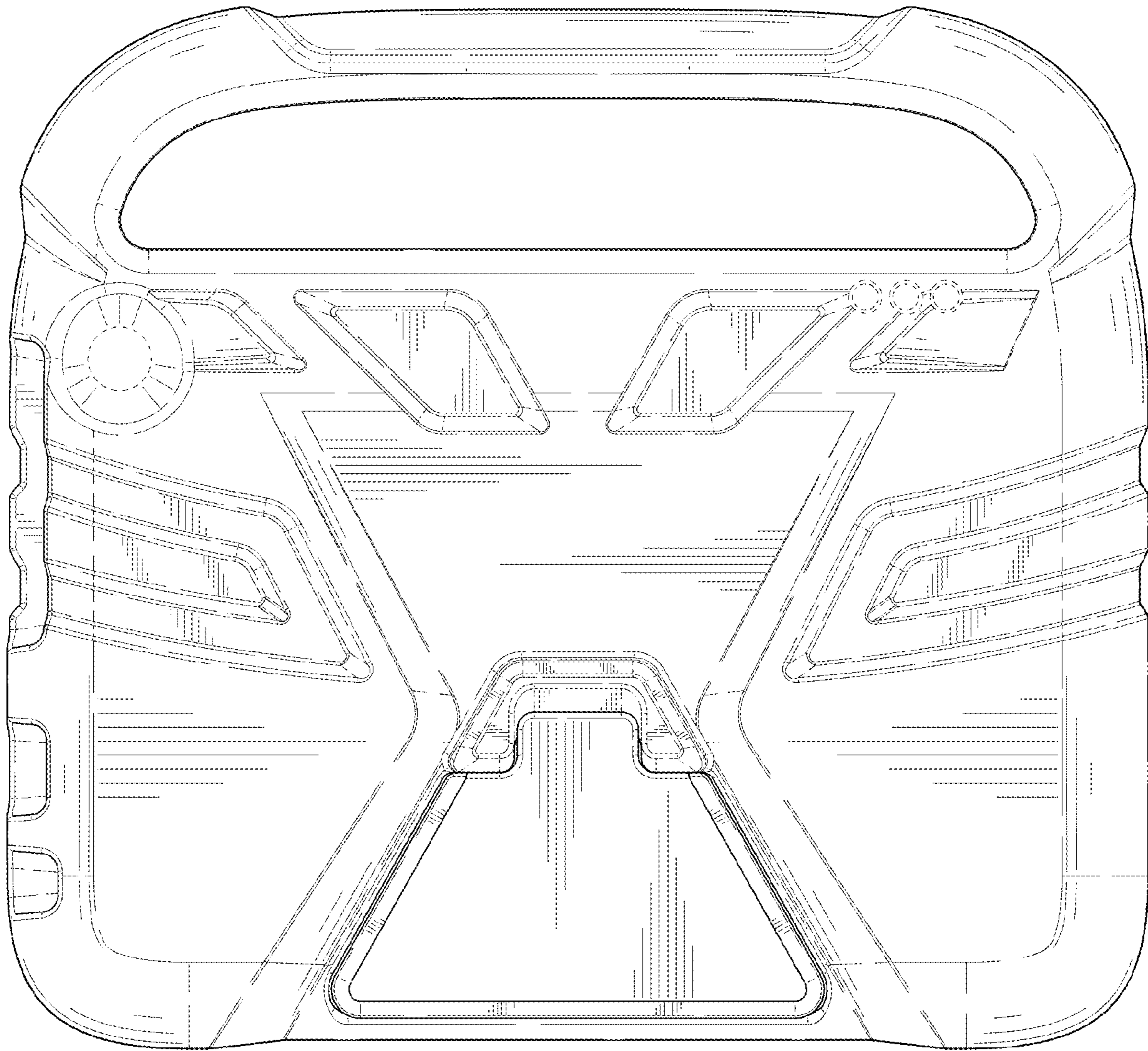


FIG. 4

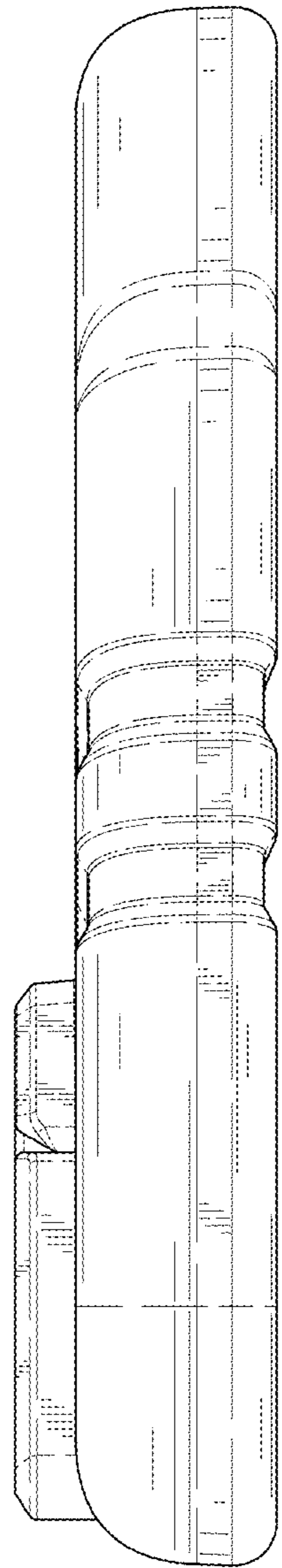


FIG. 5

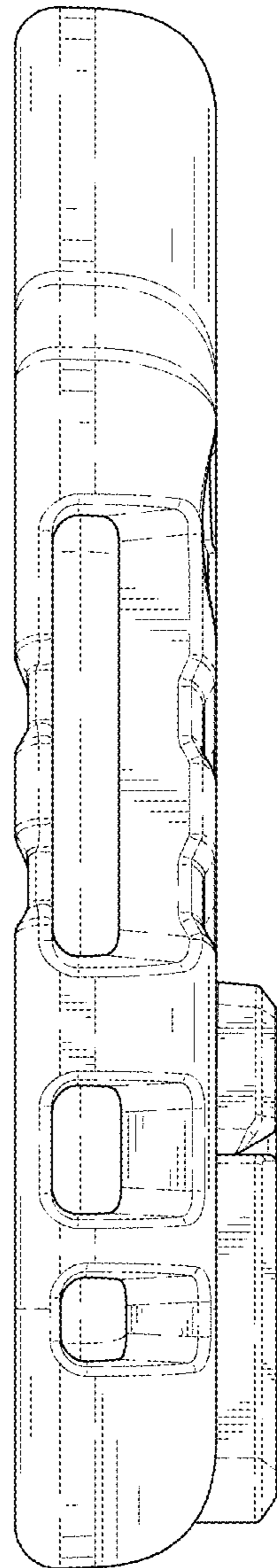


FIG. 6

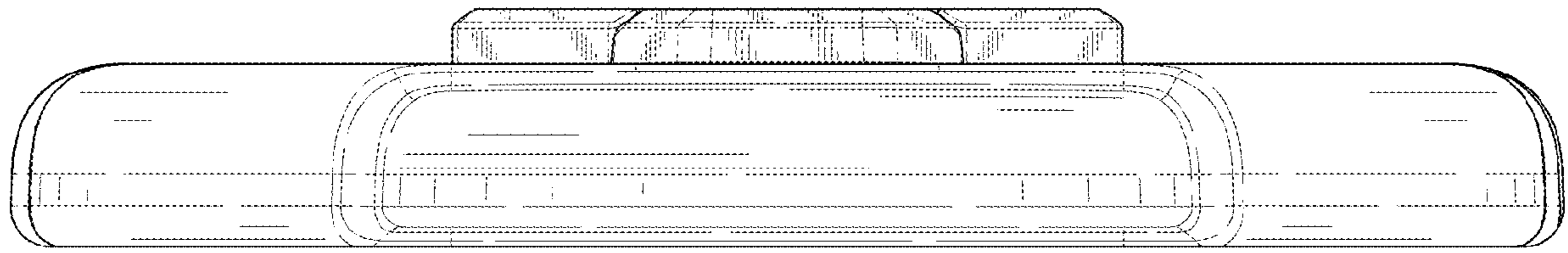


FIG. 7

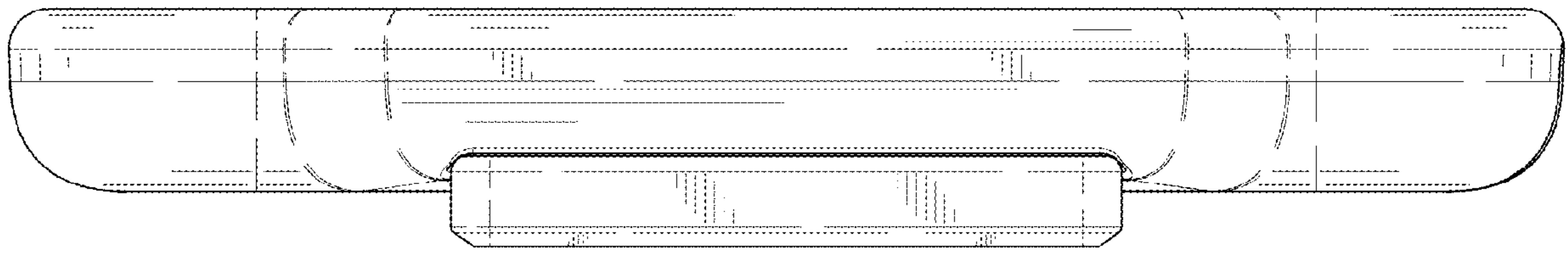


FIG. 8

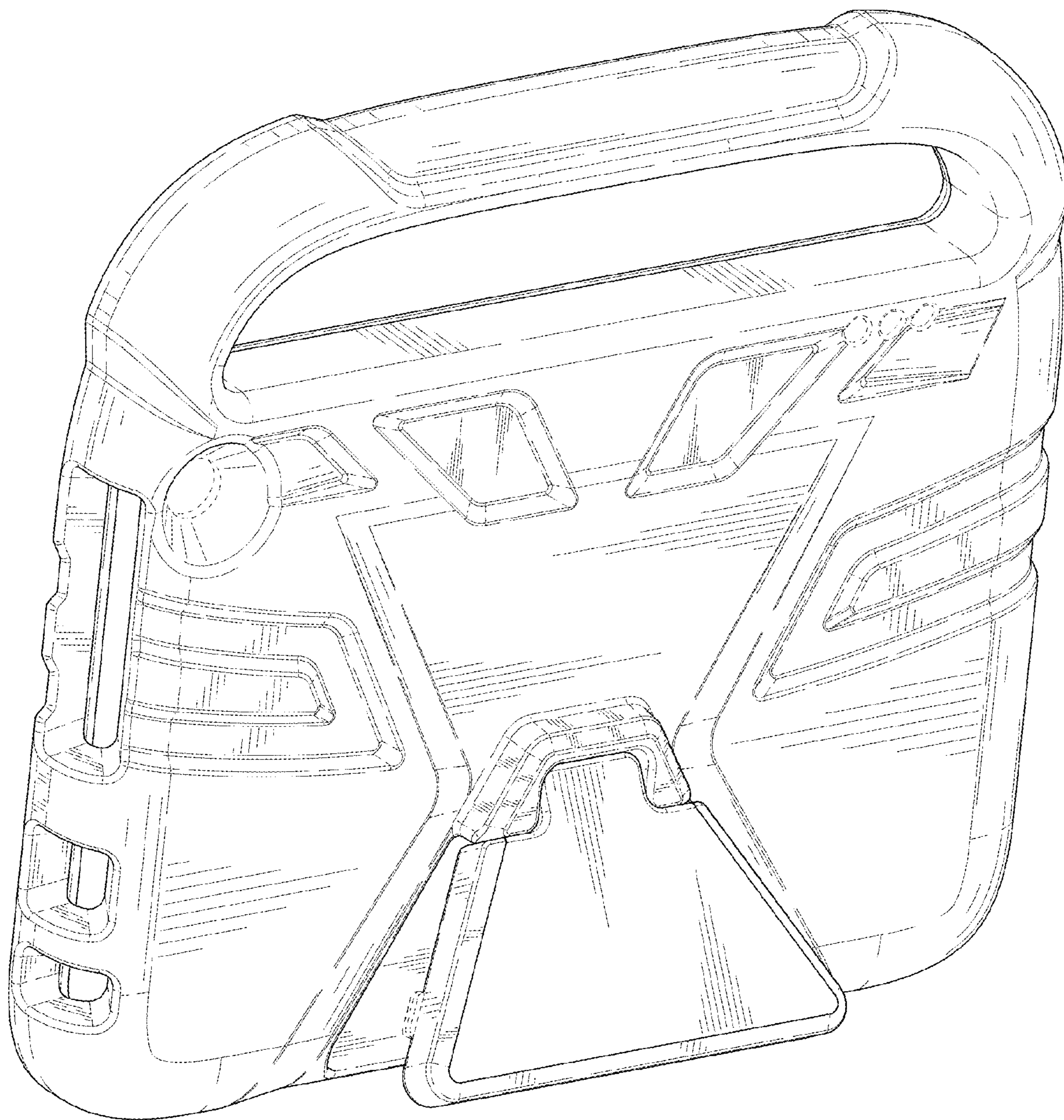


FIG. 9