



US00D967111S

(12) **United States Design Patent**
Yang

(10) **Patent No.:** **US D967,111 S**

(45) **Date of Patent:** **** Oct. 18, 2022**

(54) **TABLET CASE**

(71) Applicant: **Weihong Yang**, Guangdong (CN)

(72) Inventor: **Weihong Yang**, Guangdong (CN)

(**) Term: **15 Years**

(21) Appl. No.: **29/812,958**

(22) Filed: **Oct. 26, 2021**

(30) **Foreign Application Priority Data**

Sep. 29, 2021 (CN) 202130648956.3

(51) **LOC (13) Cl.** **14-02**

(52) **U.S. Cl.**
USPC **D14/440**

(58) **Field of Classification Search**
USPC D14/440, 447, 250; 361/679.55;
206/45.23, 320, 45.2; 294/25; 455/575.8
CPC ... G06F 1/1628; G06F 1/1626; A47B 23/044;
A45C 11/00

See application file for complete search history.

(56) **References Cited**

U.S. PATENT DOCUMENTS

D733,154 S * 6/2015 Armstrong D14/440
D881,894 S * 4/2020 Zhang D14/440

D894,195 S * 8/2020 Chen D14/447
D902,935 S * 11/2020 Li D14/440
D910,640 S 2/2021 Li
D913,294 S * 3/2021 Li D14/440
D930,653 S * 9/2021 Armstrong D14/440
D939,513 S * 12/2021 Fleming D14/440
D951,248 S * 5/2022 Chen D14/371

* cited by examiner

Primary Examiner — Cynthia R Underwood

(57) **CLAIM**

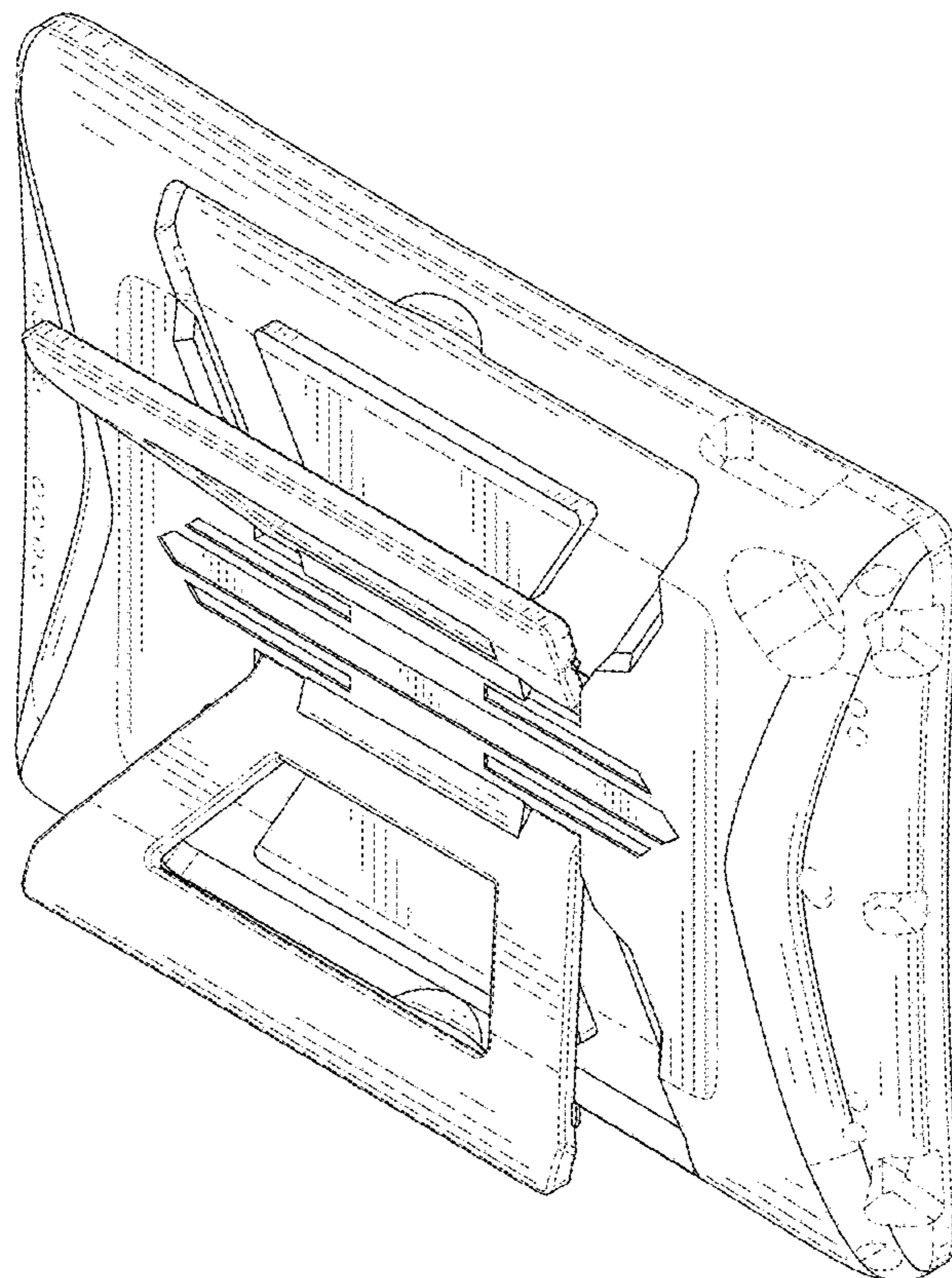
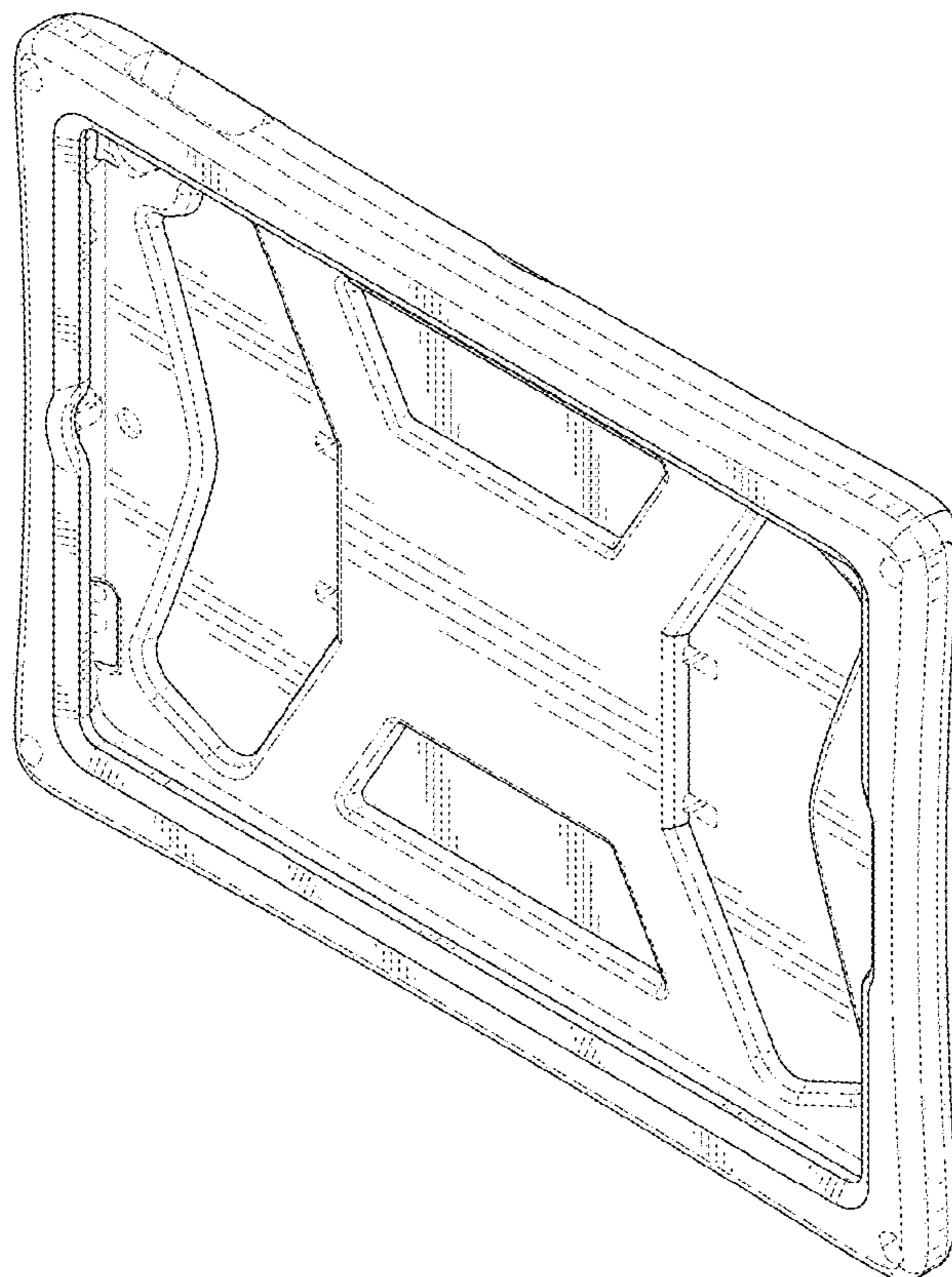
The ornamental design for a tablet case, as shown and described.

DESCRIPTION

FIG. 1 is a front and top perspective view of a tablet case, showing my new design;
FIG. 2 is a rear and bottom perspective view thereof;
FIG. 3 is a front elevation view thereof;
FIG. 4 is a rear elevation view thereof;
FIG. 5 is a left side elevation view thereof;
FIG. 6 is a right side elevation view thereof;
FIG. 7 is a top plan view thereof;
FIG. 8 is a bottom plan view thereof; and,
FIG. 9 is another perspective view thereof, shown in an alternative position.

The broken lines in the figures illustrate portions of the tablet case that form no part of the claimed design.

1 Claim, 9 Drawing Sheets



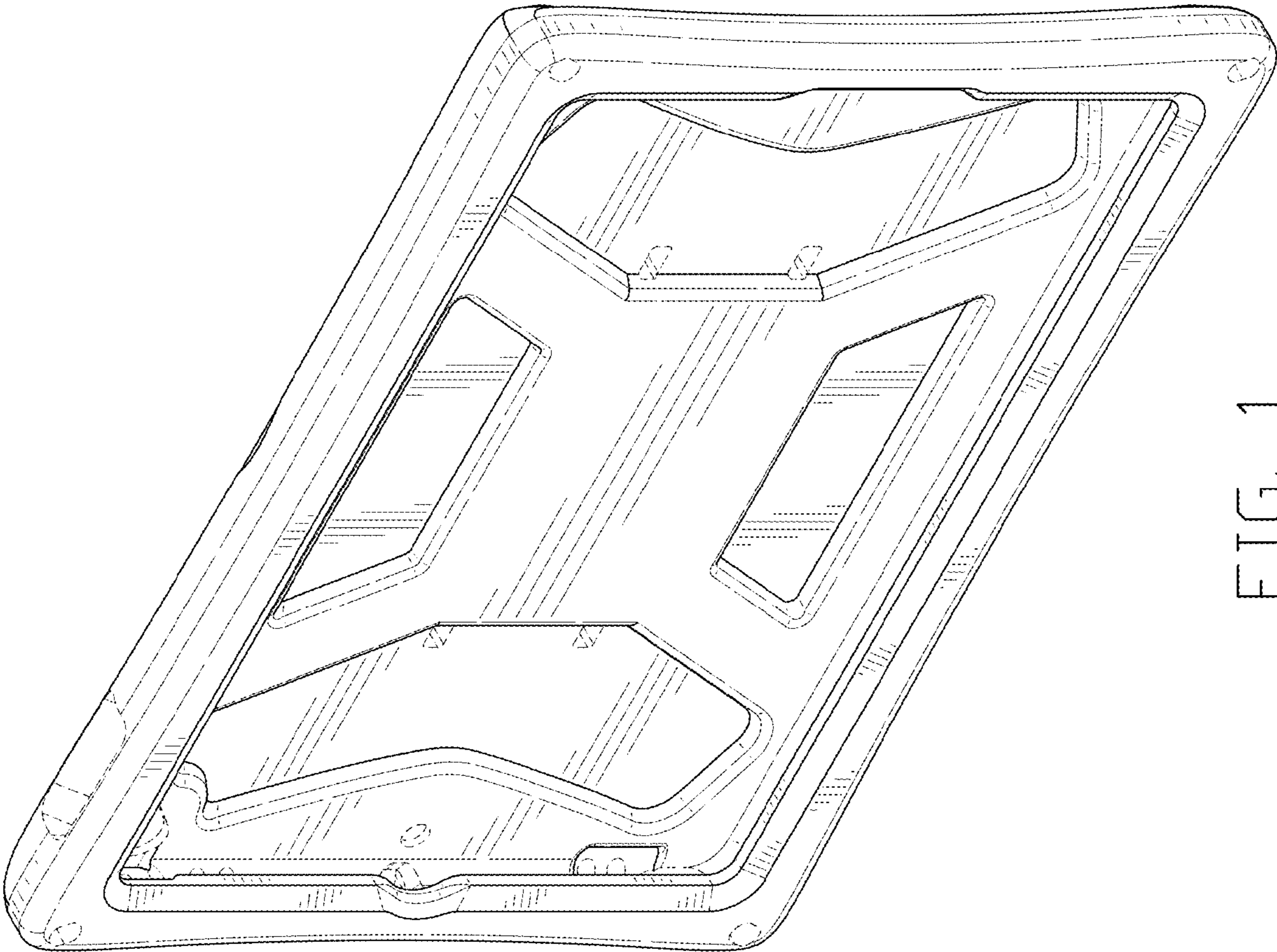


FIG. 1

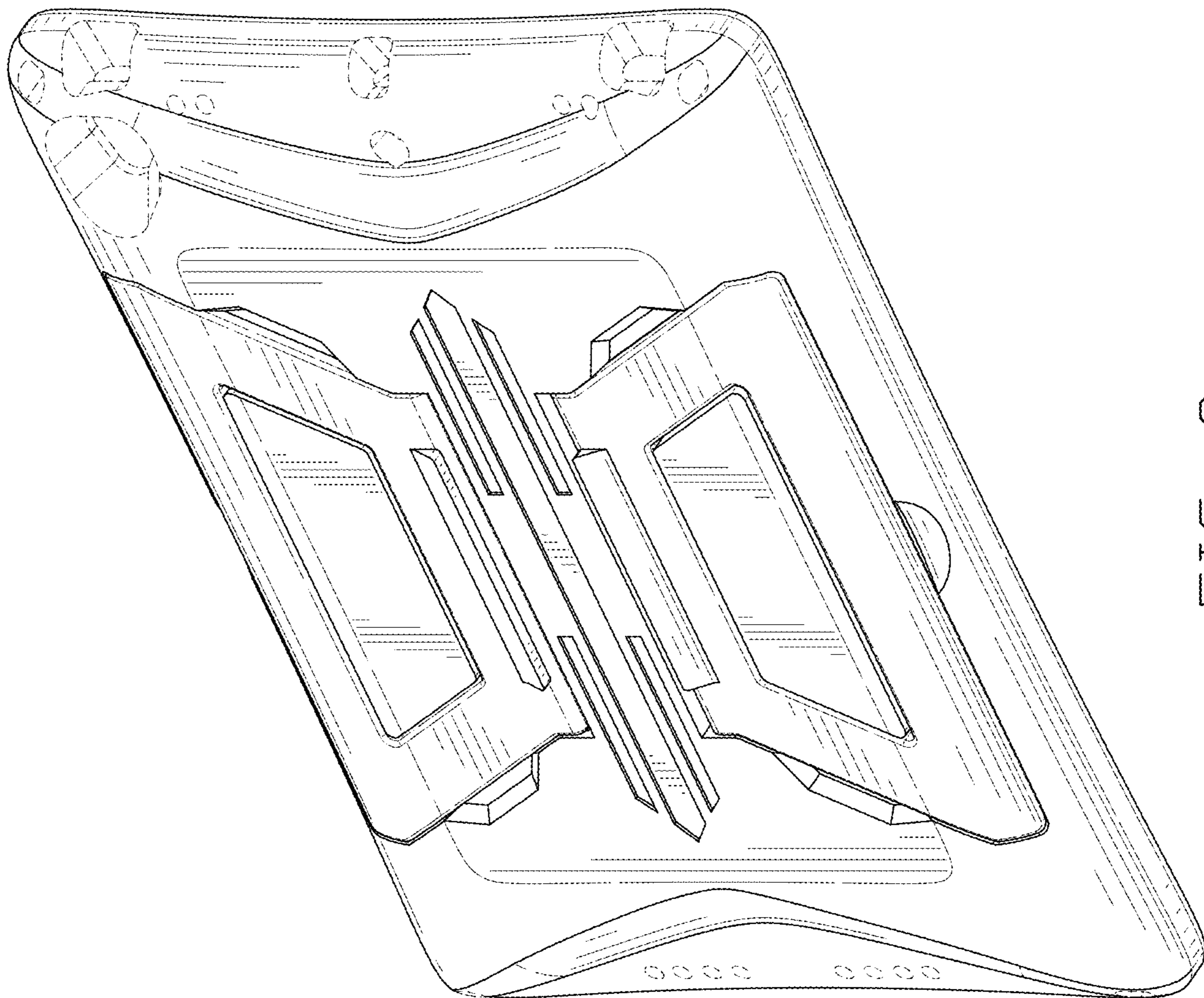


FIG. 2

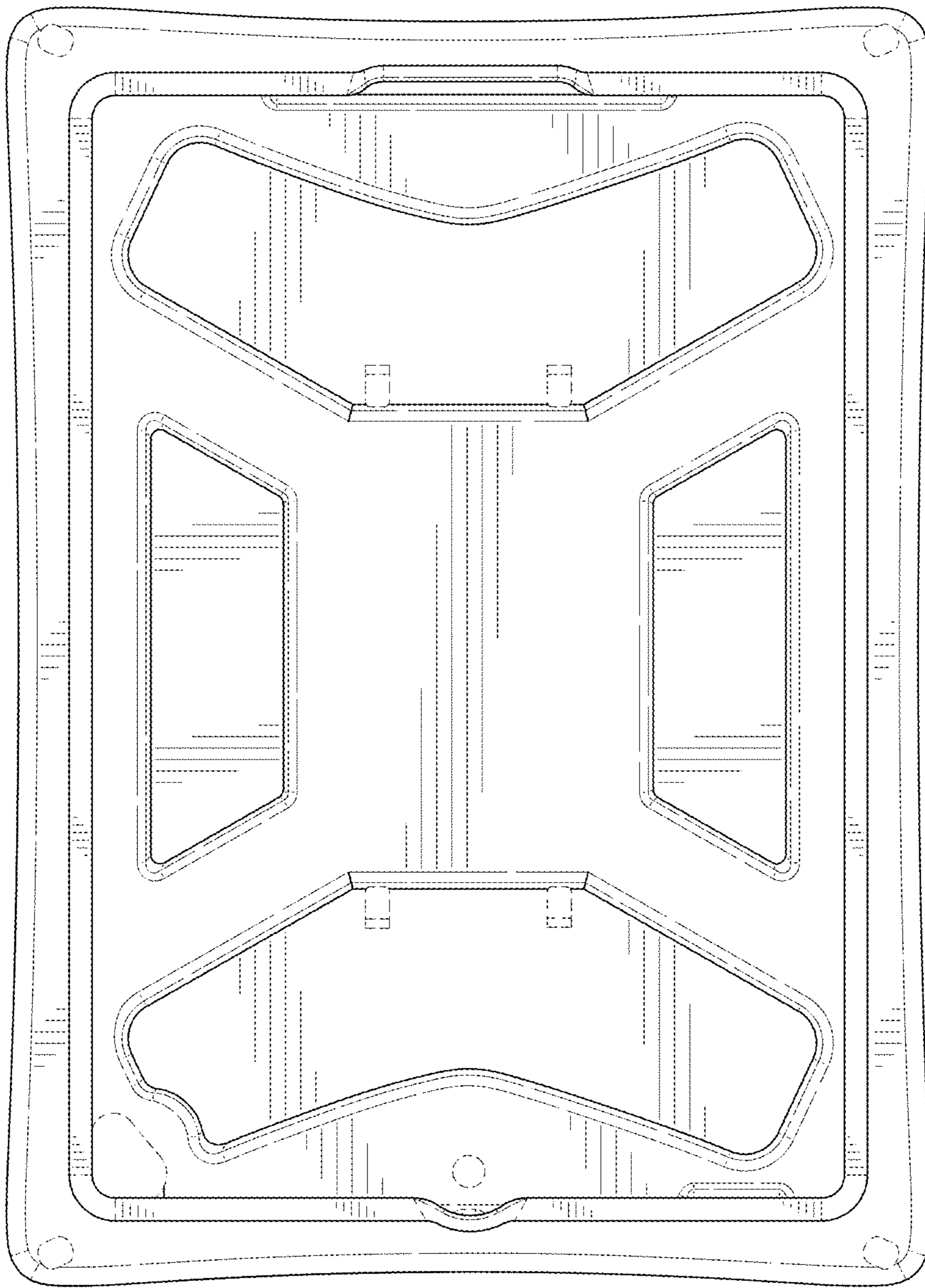


FIG. 3

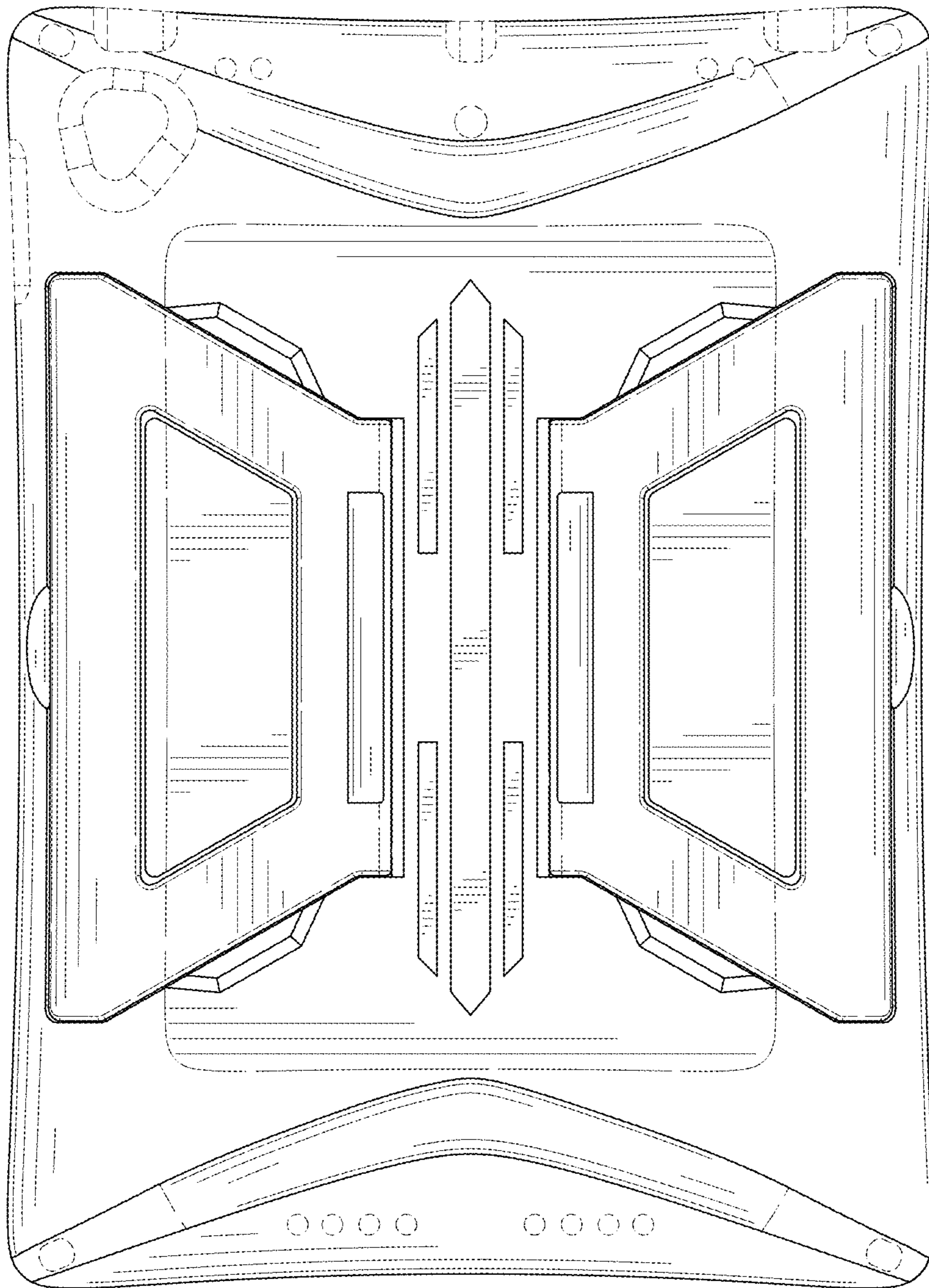


FIG. 4

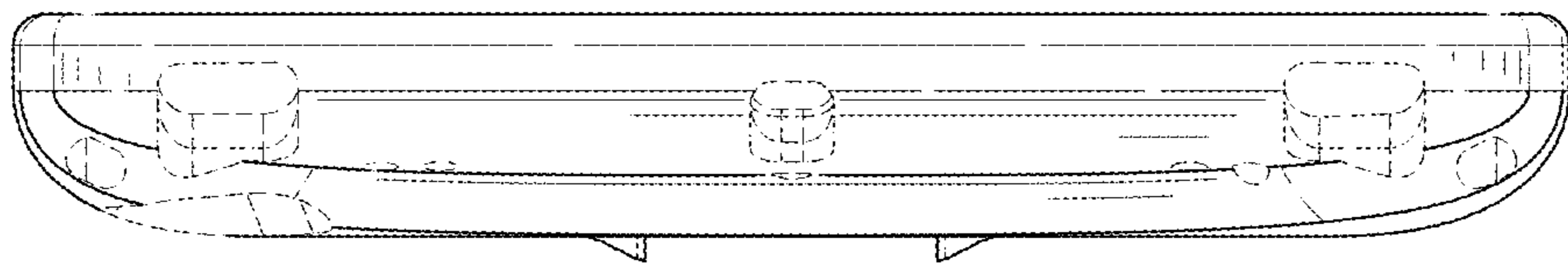


FIG. 5

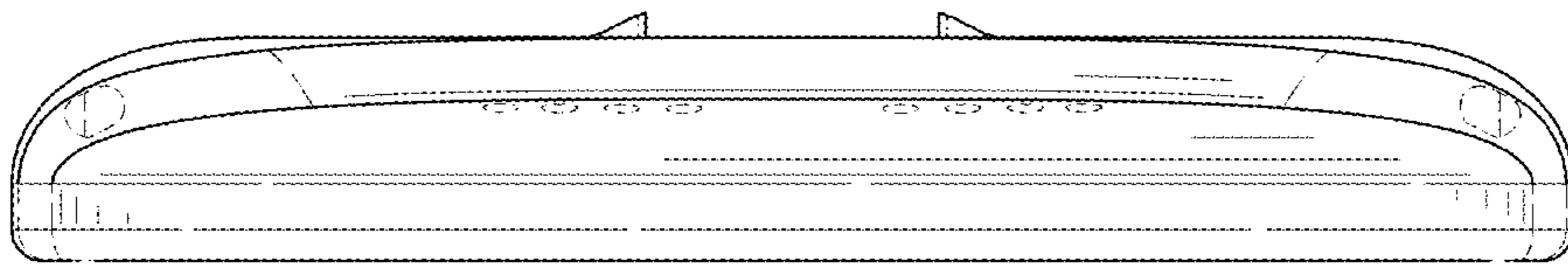


FIG. 6

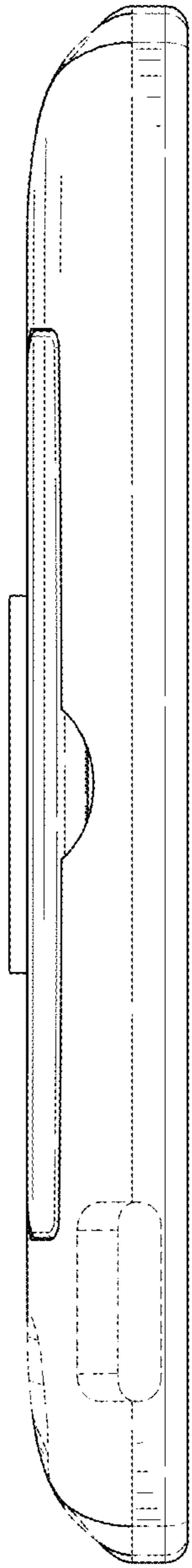


FIG. 7

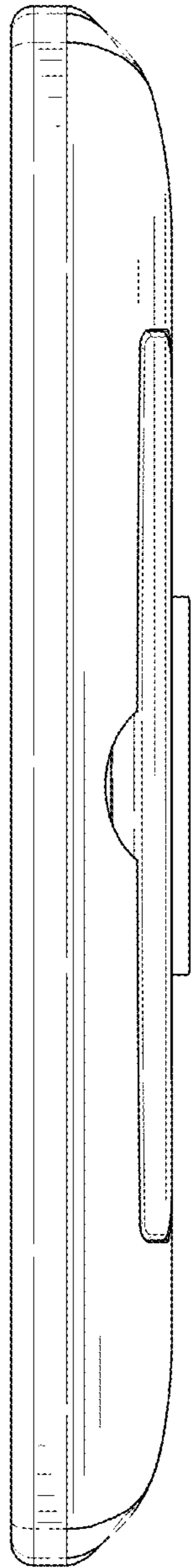


FIG. 8

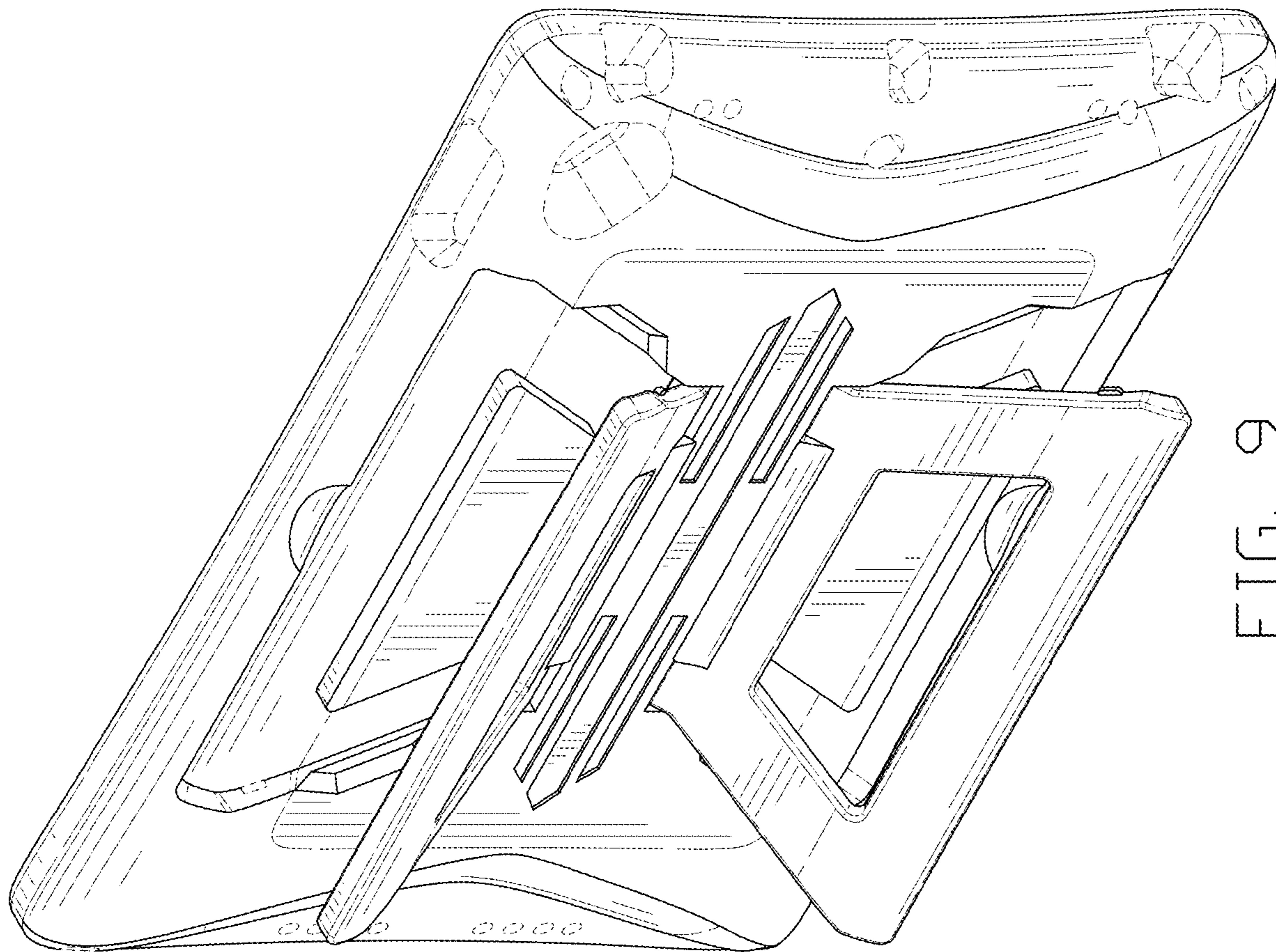


FIG. 9