

US00D967110S

(12) **United States Design Patent**
Li

(10) **Patent No.:** **US D967,110 S**

(45) **Date of Patent:** **** Oct. 18, 2022**

(54) **CASE FOR TRACKING DEVICE**

(71) Applicant: **Yejuan Li**, Gaozhou (CN)

(72) Inventor: **Yejuan Li**, Gaozhou (CN)

(**) Term: **15 Years**

(21) Appl. No.: **29/792,913**

(22) Filed: **Apr. 29, 2022**

(51) **LOC (13) Cl.** **14-02**

(52) **U.S. Cl.**
USPC **D14/440**

(58) **Field of Classification Search**
USPC D14/440, 447, 250; 361/679.55;
206/45.23, 320, 45.2; 294/25; 455/575.8
CPC ... G06F 1/1628; G06F 1/1626; A47B 23/044;
A45C 11/00
See application file for complete search history.

(56) **References Cited**

U.S. PATENT DOCUMENTS

D378,018 S *	2/1997	Ouellette	D3/215
D391,224 S *	2/1998	Schumacher	D13/103
D429,067 S *	8/2000	Kleinsmith	D3/249
D429,068 S *	8/2000	Kleinsmith	D3/249
D615,078 S *	5/2010	Bradley	D14/250
D651,791 S *	1/2012	Cataldo	D3/218
D676,448 S *	2/2013	Gorman	D14/440
D685,189 S *	7/2013	Adelman	D3/247
D709,509 S *	7/2014	Kim	D14/440
D742,890 S *	11/2015	Mecchella	D14/440
D766,247 S *	9/2016	Burmester	D14/440
D776,101 S *	1/2017	Poon	
D798,302 S *	9/2017	Burmester	D14/440
D800,732 S *	10/2017	Dang	D14/440
D812,065 S *	3/2018	Shim	D14/440
D842,605 S *	3/2019	Bo	D3/247

D847,805 S *	5/2019	Lederer	D14/250
D855,058 S *	7/2019	Cebe	D14/440
D873,833 S *	1/2020	Leimer	D14/440
D885,758 S *	6/2020	Adelman	D20/27
D889,959 S *	7/2020	Burke	D9/432
D892,613 S *	8/2020	Burke	D9/432
D910,639 S *	2/2021	Han	D14/440
D919,629 S *	5/2021	Liu	D14/440
D920,317 S *	5/2021	Akana	D14/250
D942,979 S *	2/2022	Jung	D14/440
D944,256 S *	2/2022	Cheng	D14/440

* cited by examiner

Primary Examiner — Cynthia R Underwood

(57) **CLAIM**

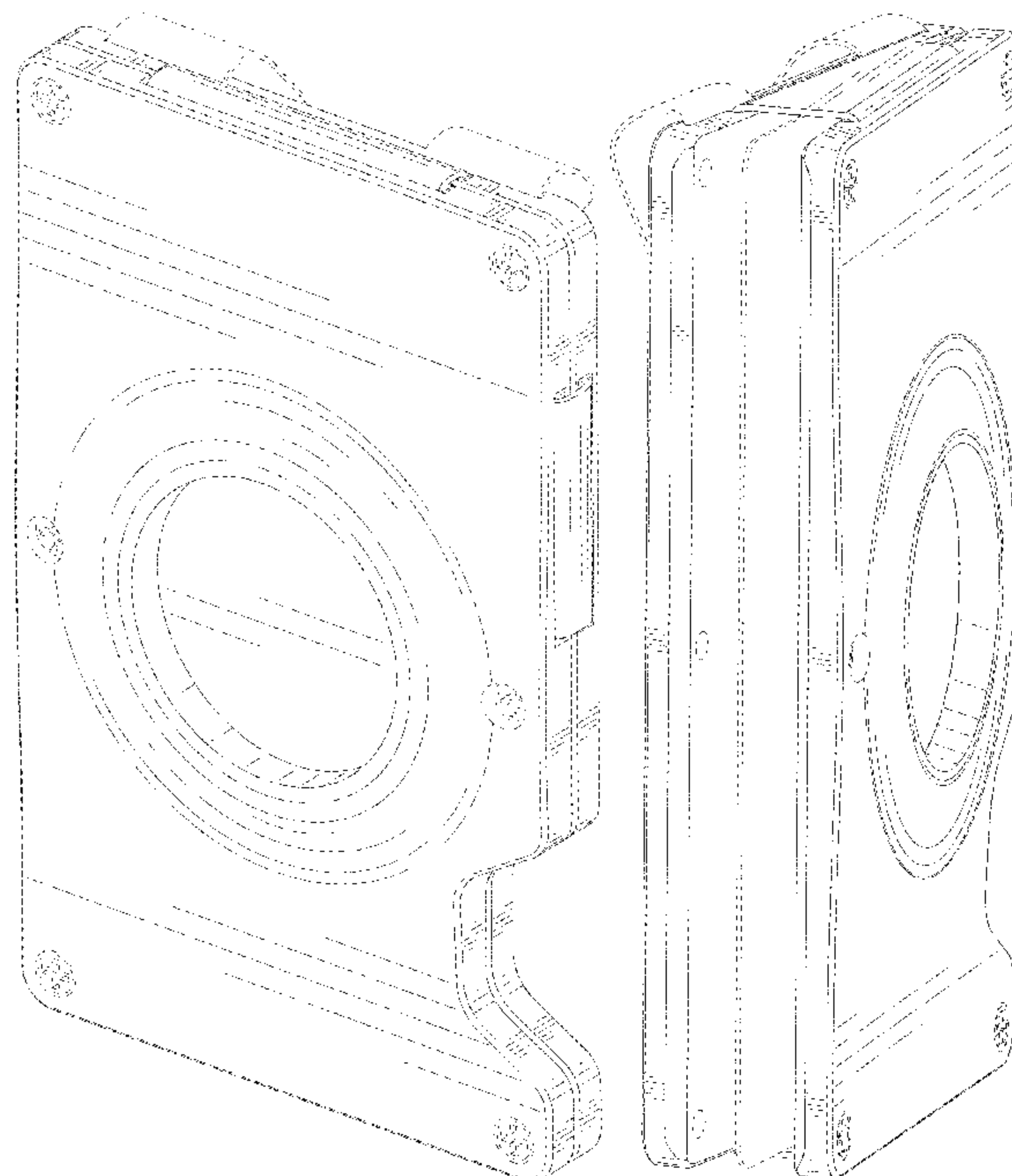
The ornamental design for a case for tracking device, as shown and described.

DESCRIPTION

FIG. 1 is a front and top perspective view of a case for tracking device, showing my new design;
FIG. 2 is a rear and bottom perspective view thereof;
FIG. 3 is a front elevation view thereof;
FIG. 4 is a rear elevation view thereof;
FIG. 5 is a left side elevation view thereof;
FIG. 6 is a right side elevation view thereof;
FIG. 7 is a top plan view thereof;
FIG. 8 is a bottom plan view thereof; and,
FIG. 9 is another perspective view thereof, shown in a using position.

The broken lines in the figures illustrate portions of the case for tracking device that form no part of the claimed design. The broken lines of a tracking device in FIG. 9 shown in the drawings depict environmental structure that form no part of the claimed design.

1 Claim, 9 Drawing Sheets



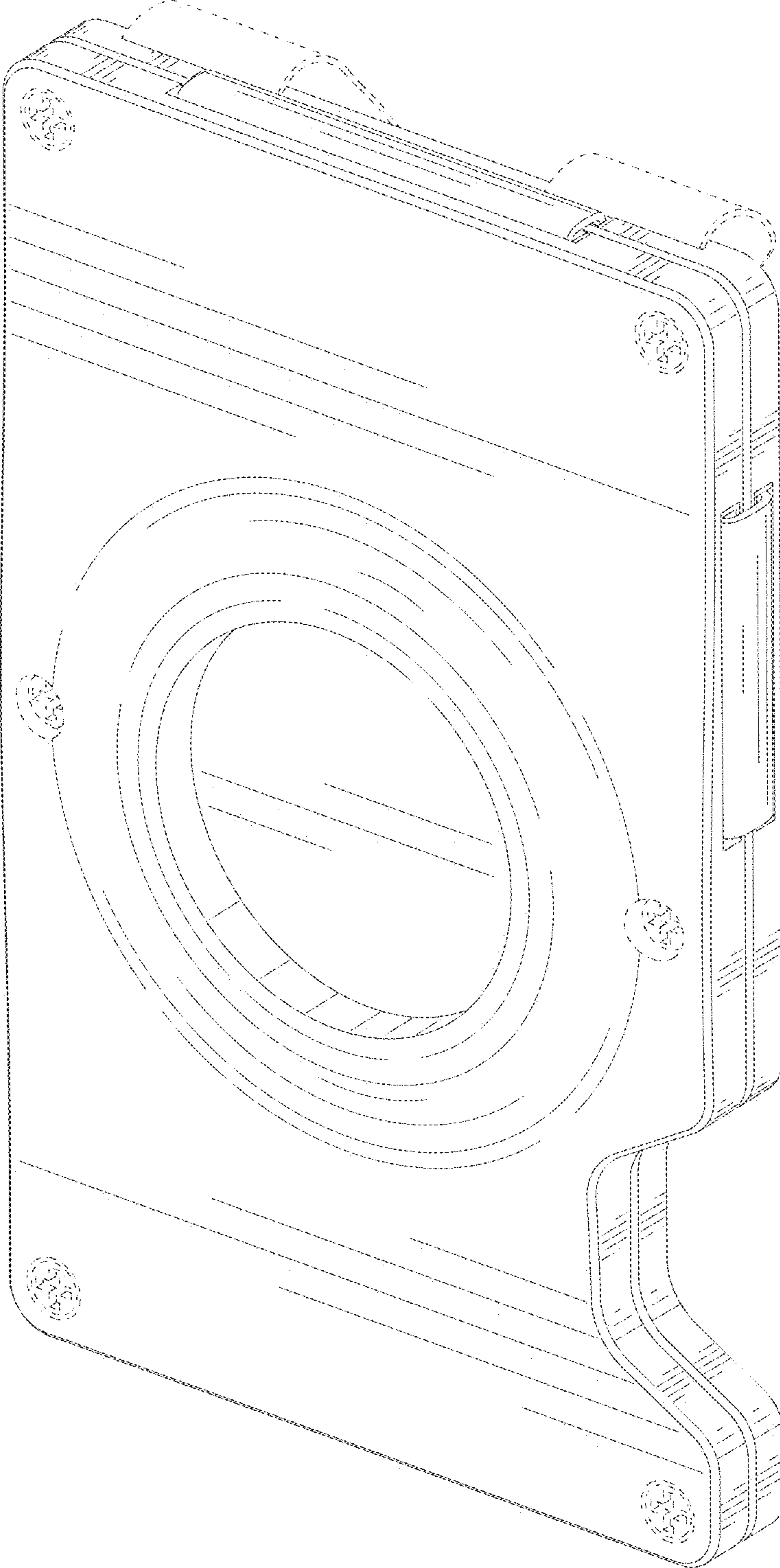


FIG. 1

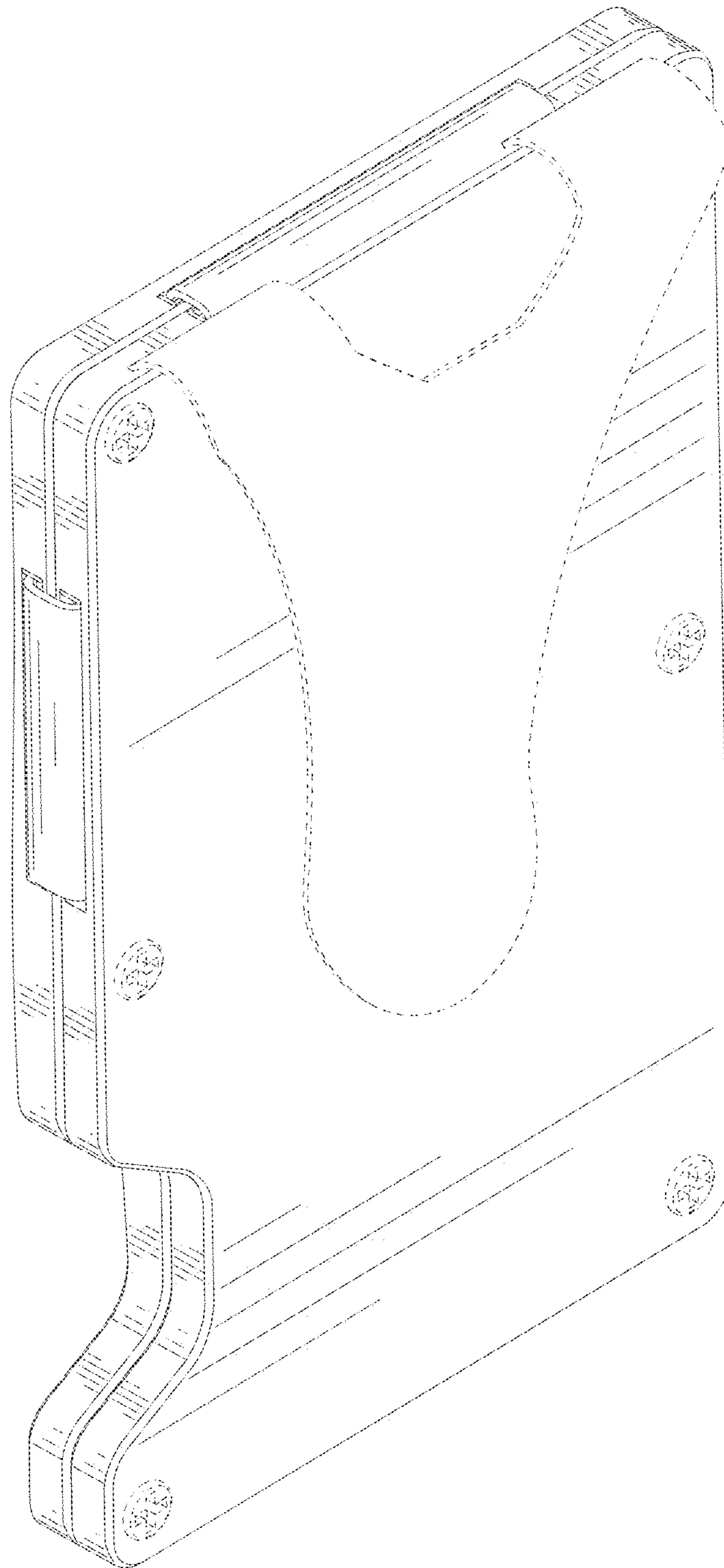


FIG.2

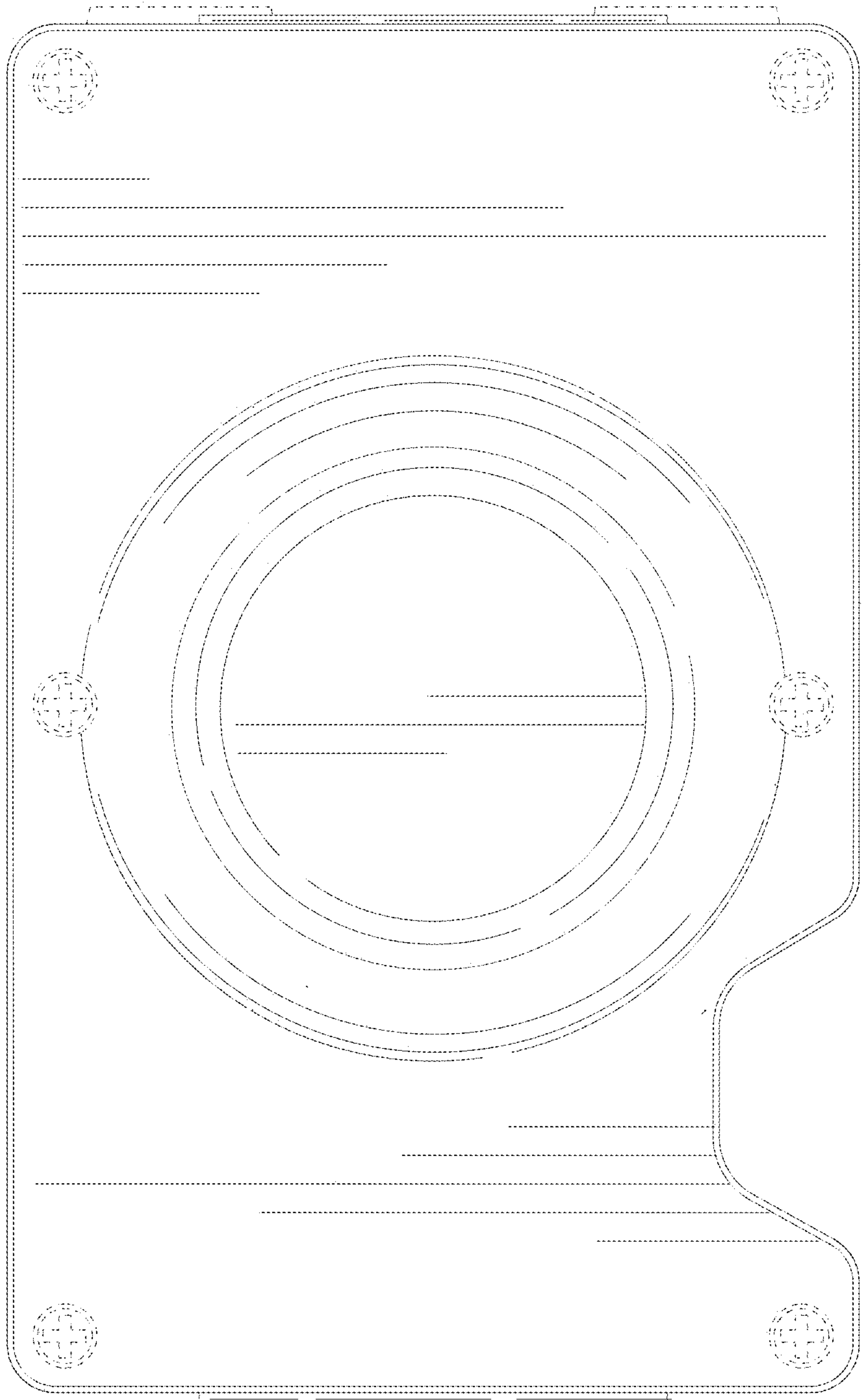


FIG. 3

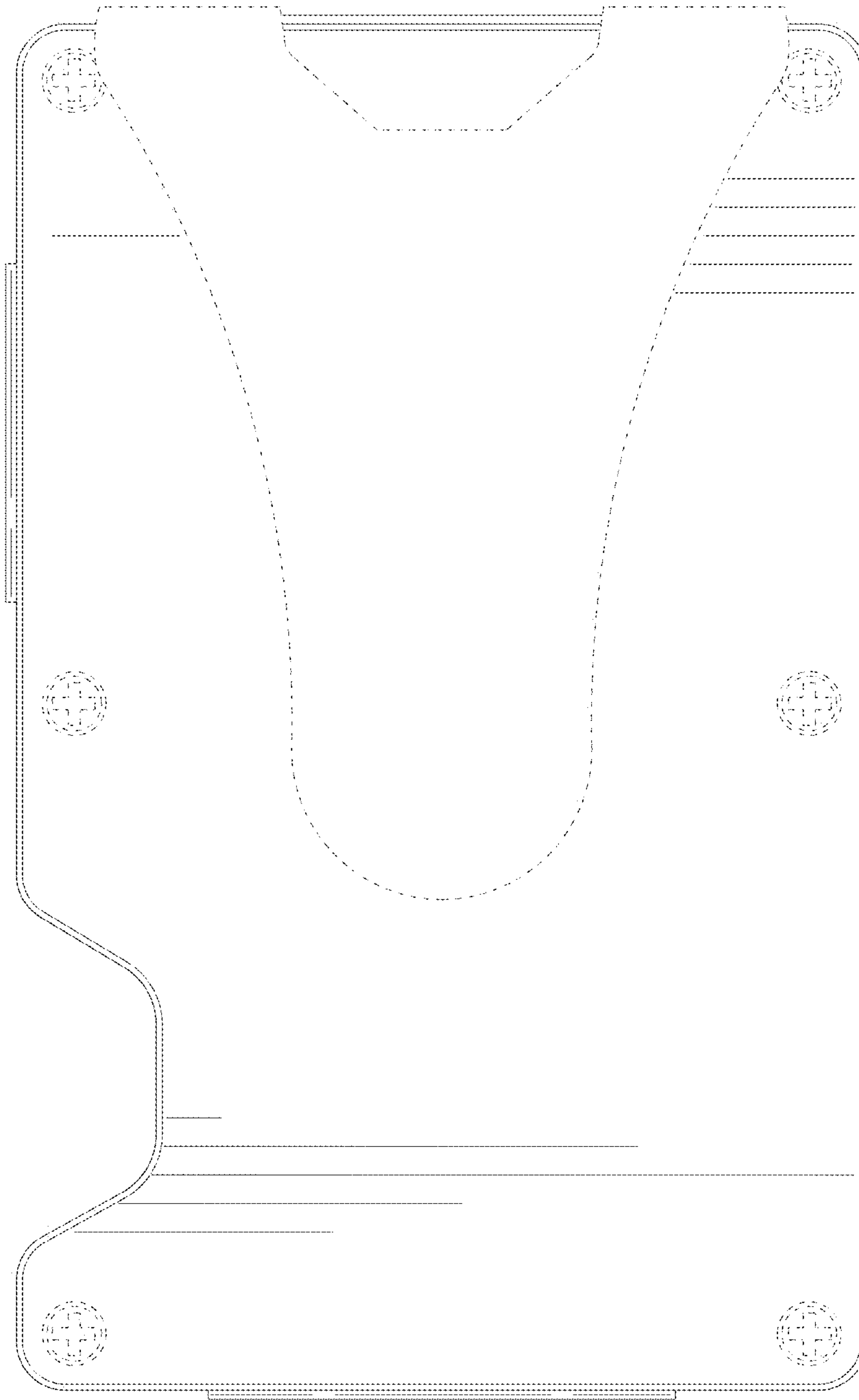


FIG. 4

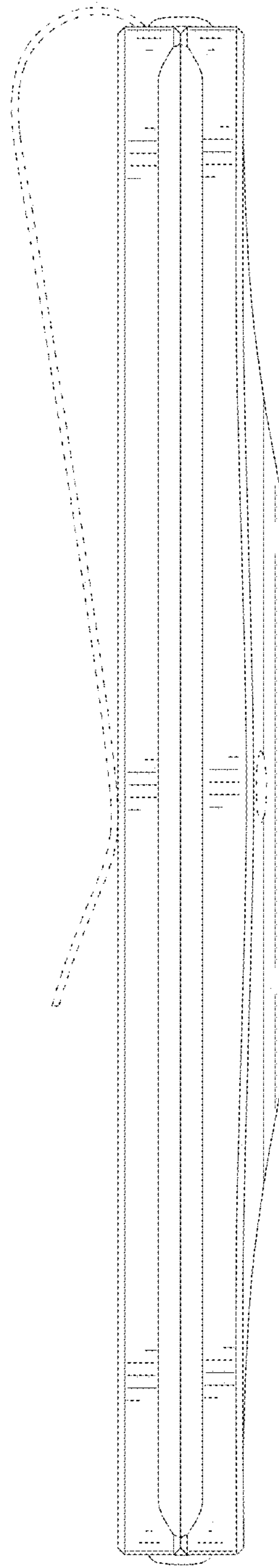


FIG. 5

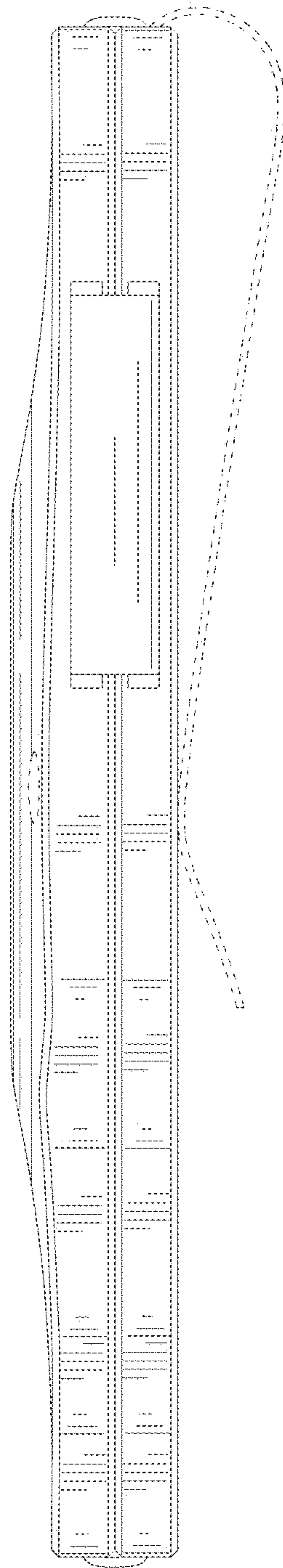


FIG. 6

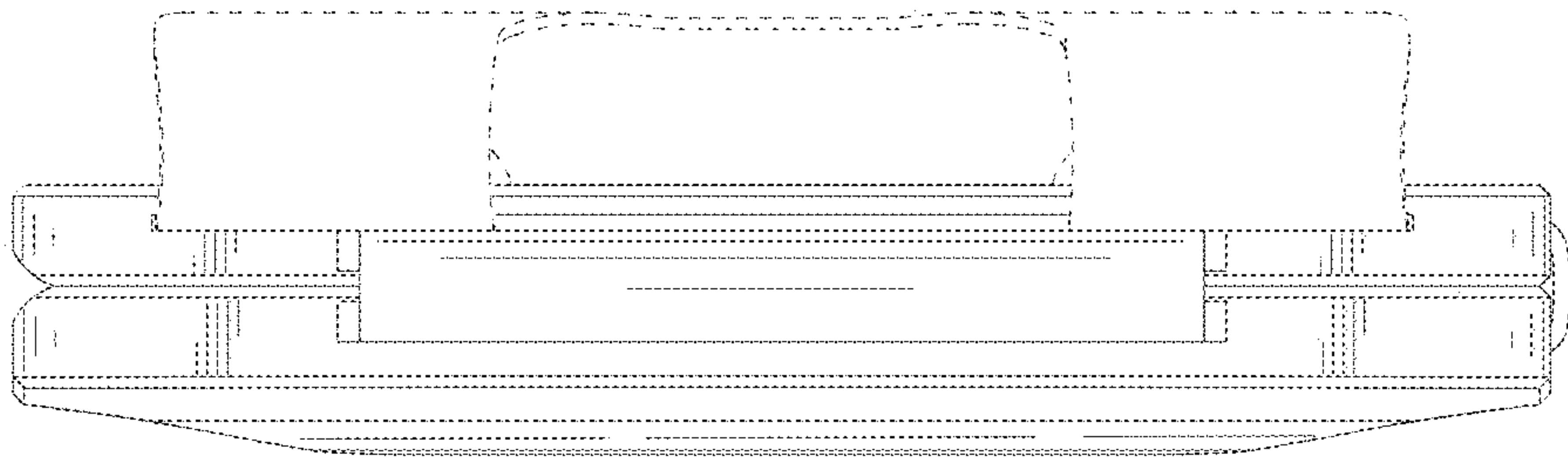


FIG. 7

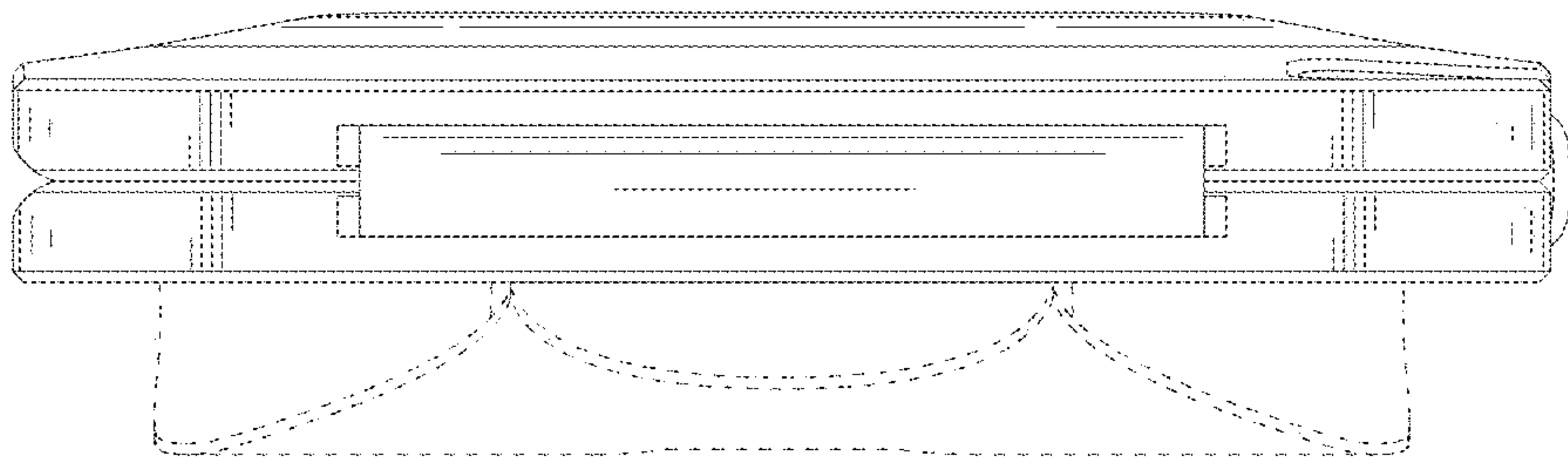


FIG.8

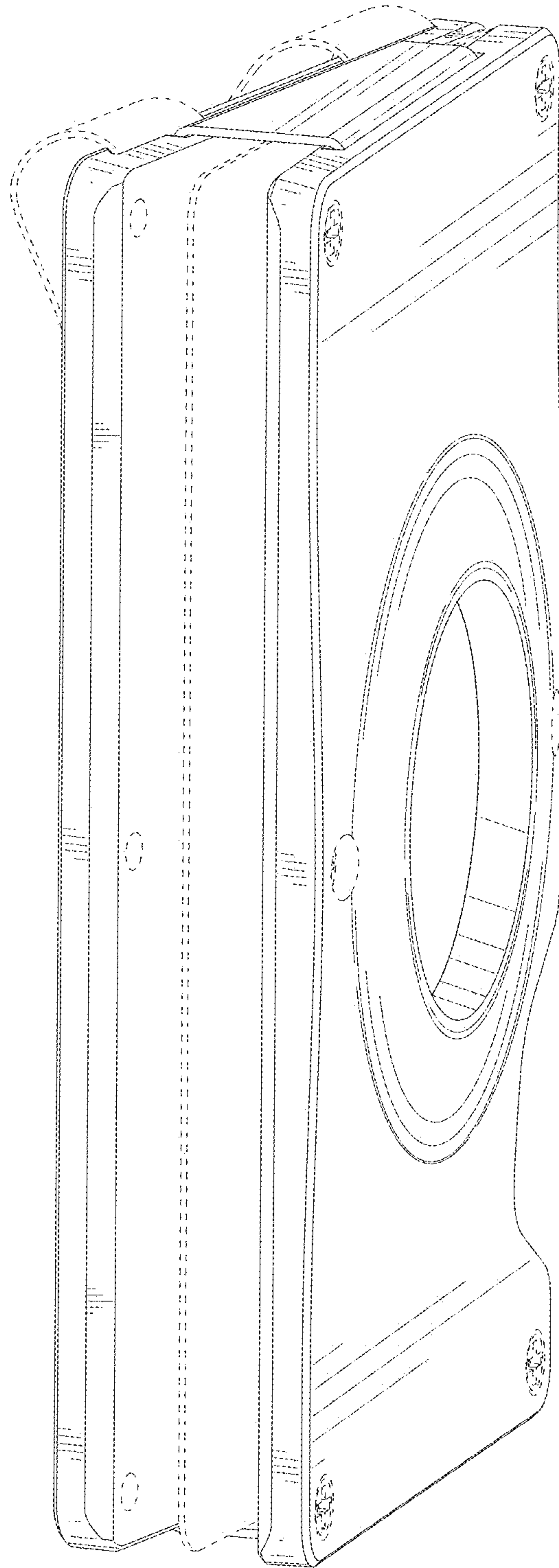


FIG. 9