

US00D967109S

(12) **United States Design Patent**  
**Zhu**

(10) **Patent No.:** **US D967,109 S**  
(45) **Date of Patent:** **\*\* Oct. 18, 2022**

- (54) **TABLET KEYBOARD CASE**
- (71) Applicant: **Dawu Zhu**, Shenzhen (CN)
- (72) Inventor: **Dawu Zhu**, Shenzhen (CN)
- (73) Assignee: **Shenzhen yierjie Technology Co., Ltd**,  
Shenzhen (CN)
- (\*\*) Term: **15 Years**
- (21) Appl. No.: **29/772,744**
- (22) Filed: **Mar. 3, 2021**
- (51) **LOC (13) Cl.** ..... **14-02**
- (52) **U.S. Cl.**  
USPC ..... **D14/440**
- (58) **Field of Classification Search**  
USPC ..... D14/440, 250, 447; 206/45.2, 45.23,  
206/320; 361/679.55; 294/25; 224/218  
CPC ... G06F 1/1628; G06F 1/1626; A47B 23/044;  
H04B 1/3888  
See application file for complete search history.

(56) **References Cited**

U.S. PATENT DOCUMENTS

D675,625 S *	2/2013	Hasbrook	.....	D14/440
D701,511 S *	3/2014	He	.....	D14/447
D779,494 S *	2/2017	Hallier	.....	D14/440
D807,363 S *	1/2018	Hallier	.....	D14/440
D822,674 S *	7/2018	Zhu	.....	D14/455
D886,108 S *	6/2020	Zhu	.....	D14/440
D905,697 S *	12/2020	Chen	.....	D14/440
D923,629 S *	6/2021	Ma	.....	D14/440
D935,467 S *	11/2021	Zhu	.....	D14/440
D940,145 S *	1/2022	Zhang	.....	D14/440

2013/0279096 A1*	10/2013	Gengler	.....	G06F 1/1679 361/679.01
2014/0211393 A1*	7/2014	Lee	.....	G06F 1/1632 361/679.12
2015/0293601 A1*	10/2015	Gu	.....	G06F 3/0202 345/168

\* cited by examiner

*Primary Examiner* — Katie Jane Stofko

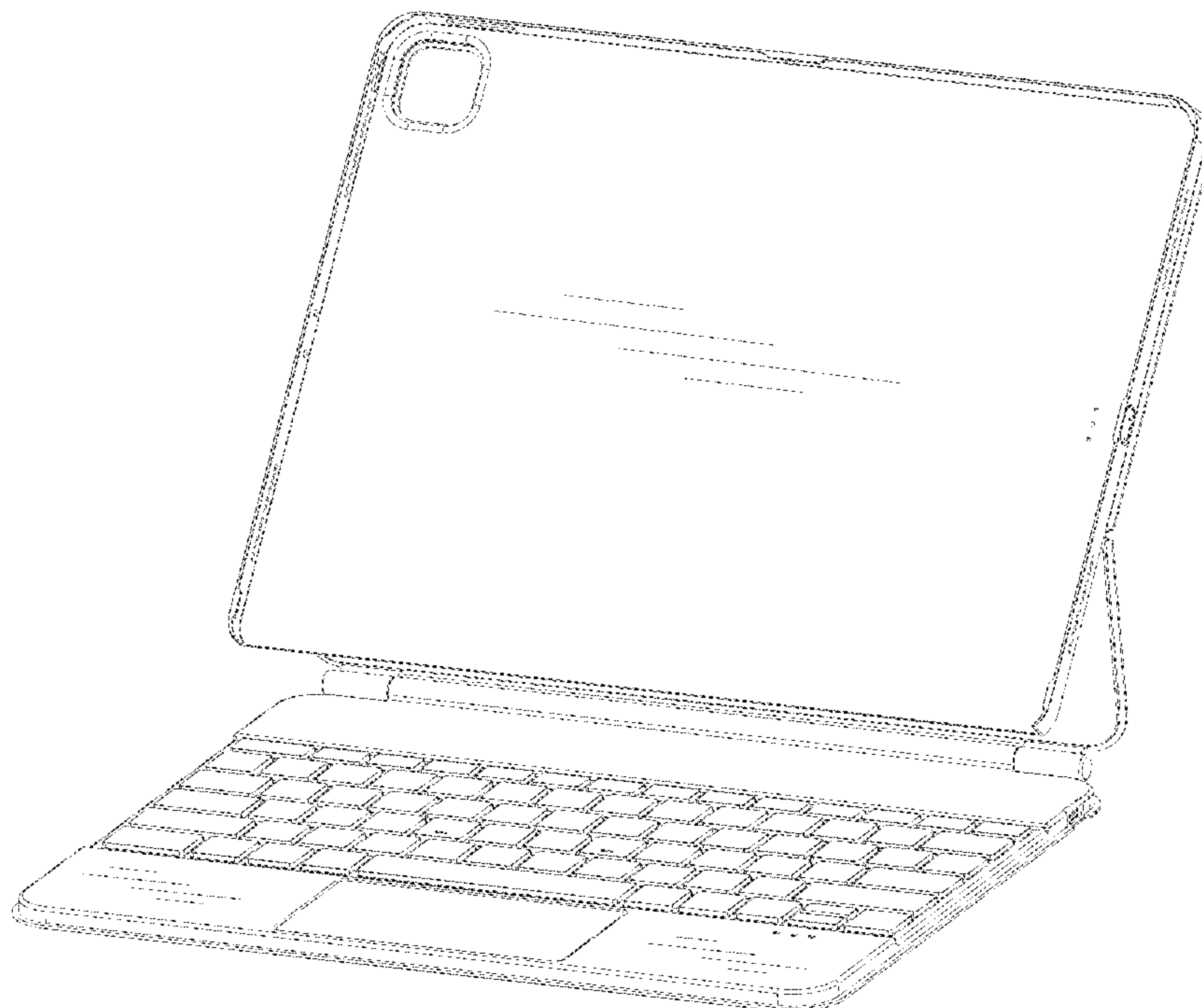
(57) **CLAIM**

The ornamental design for a tablet keyboard case, as shown and described.

**DESCRIPTION**

FIG. 1 is a front, top and right side perspective view of a tablet keyboard case showing my new design;  
 FIG. 2 is a rear, bottom and left side perspective view thereof;  
 FIG. 3 is a top plan view thereof;  
 FIG. 4 is a bottom plan view thereof;  
 FIG. 5 is a left side elevation view thereof;  
 FIG. 6 is a right side elevation view thereof;  
 FIG. 7 is a top plan view thereof;  
 FIG. 8 is a bottom plan view thereof;  
 FIG. 9 is another front, top and right side perspective view, shown in an alternate position;  
 FIG. 10 is another rear, bottom and left side perspective view thereof, shown in an alternate position;  
 FIG. 11 is another front, top and right side perspective view, shown in a closed position;  
 FIG. 12 is another rear, bottom and left side perspective view thereof, shown in a closed position; and,  
 FIG. 13 is another front, top and right side perspective view, shown in a separated position.

**1 Claim, 13 Drawing Sheets**



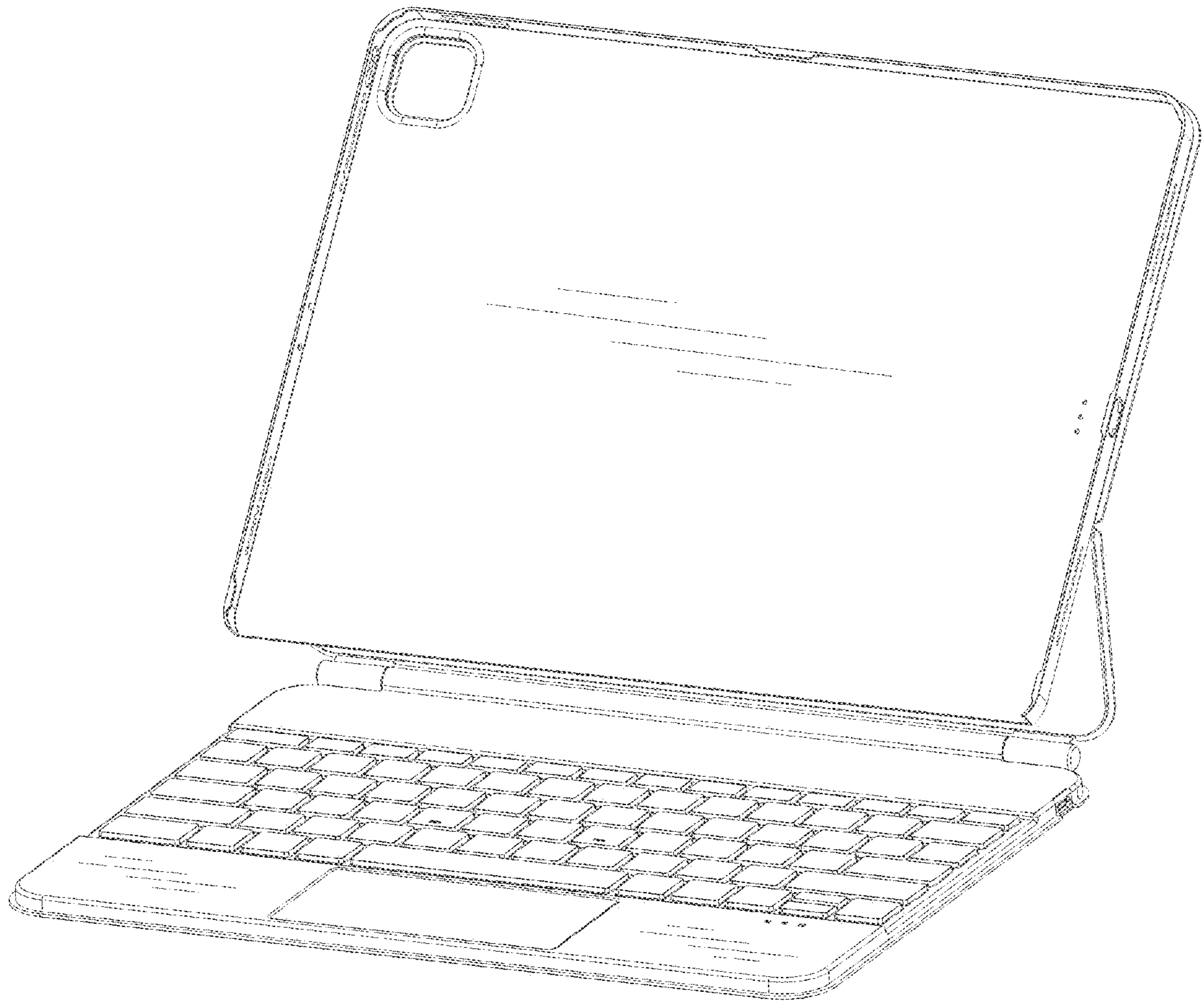


FIG. 1

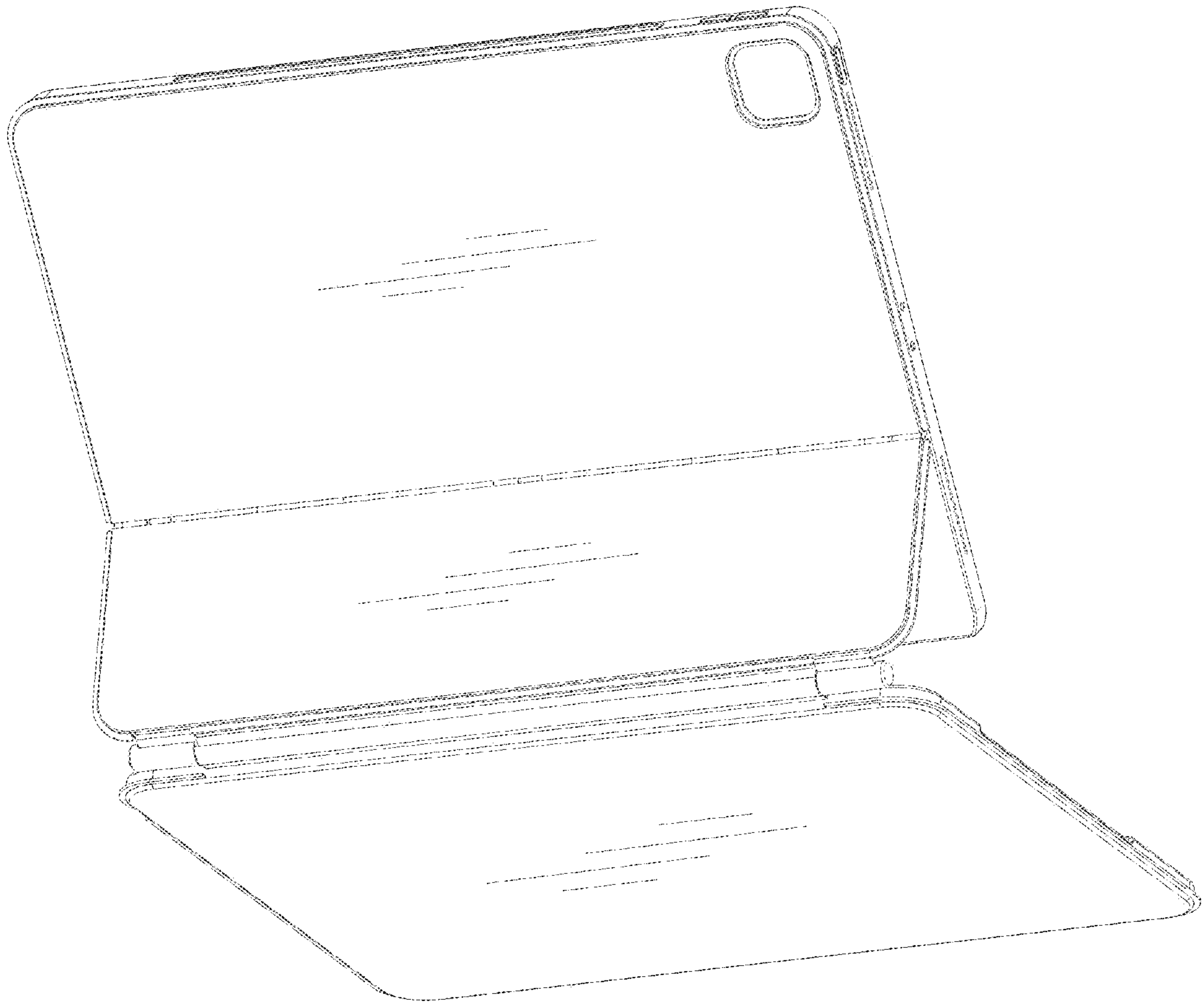


FIG. 2



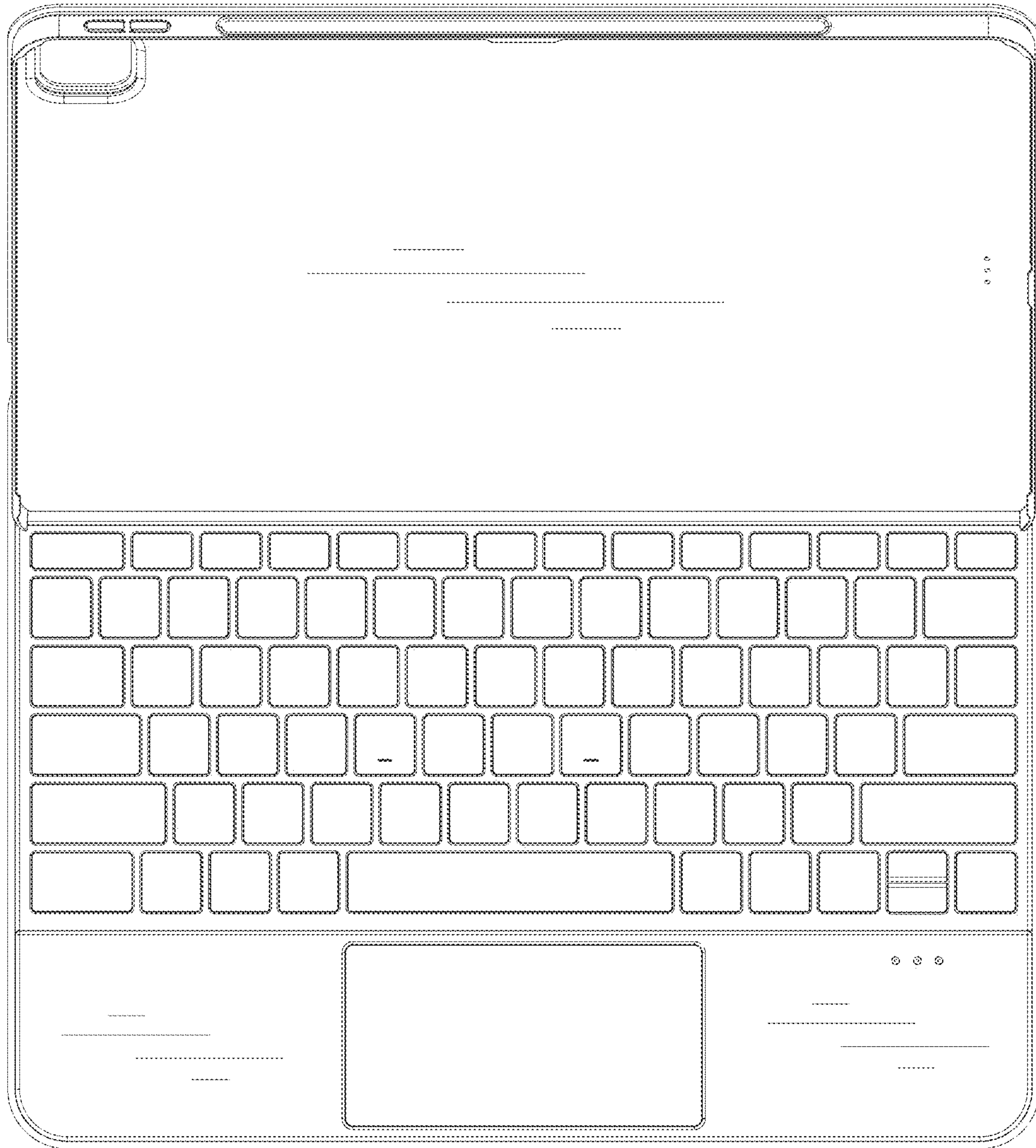


FIG. 3

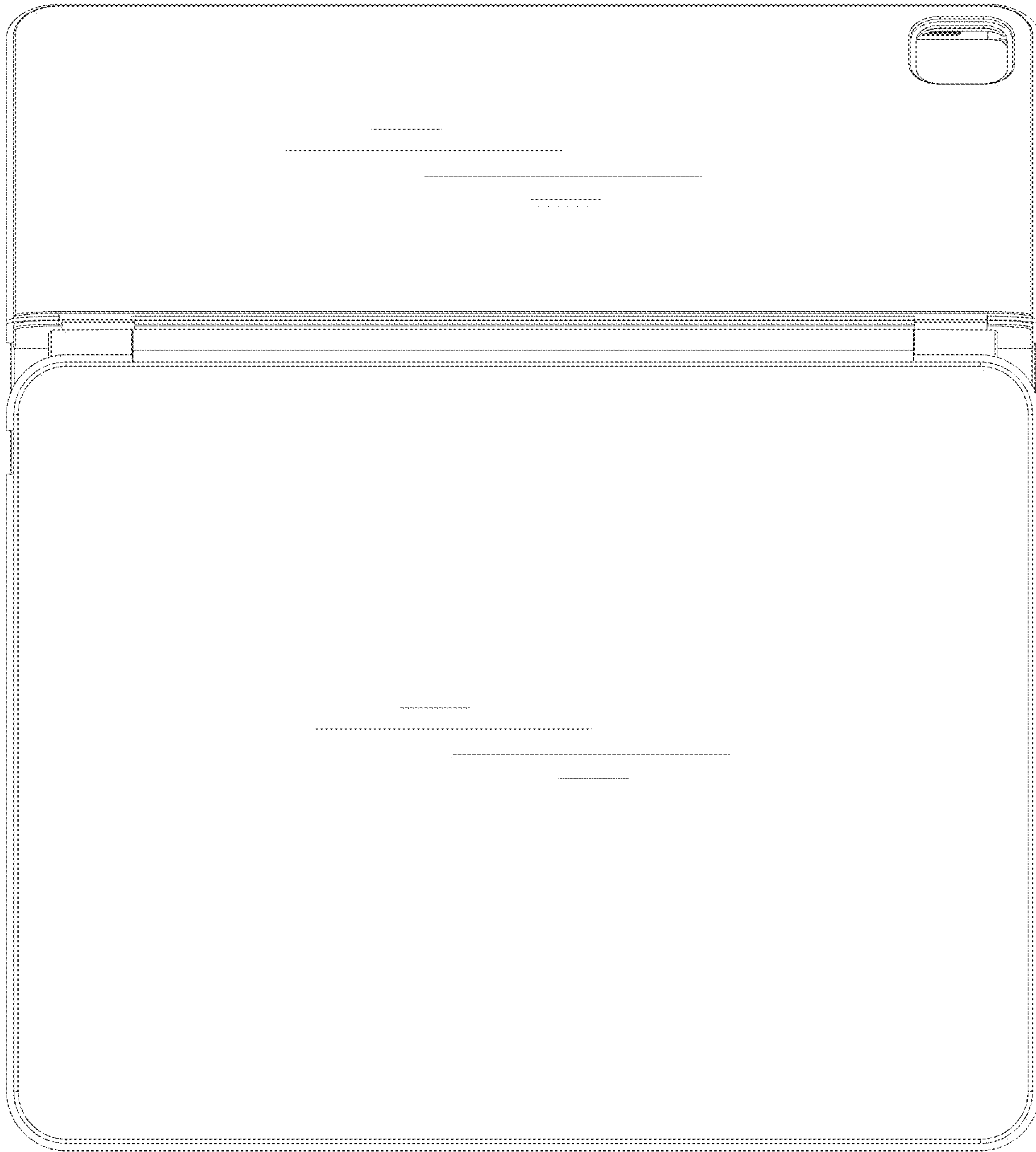


FIG. 4

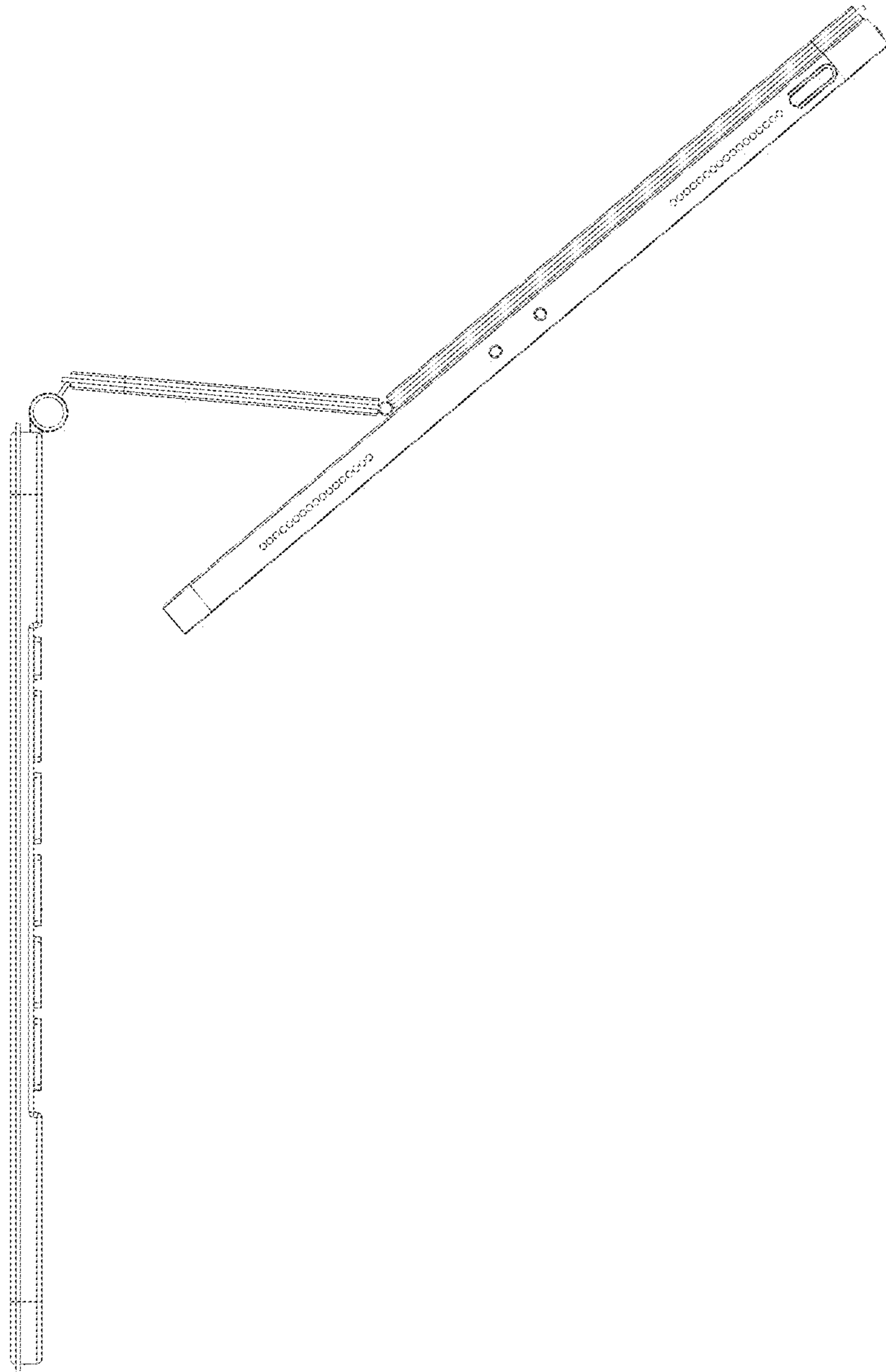


FIG. 5

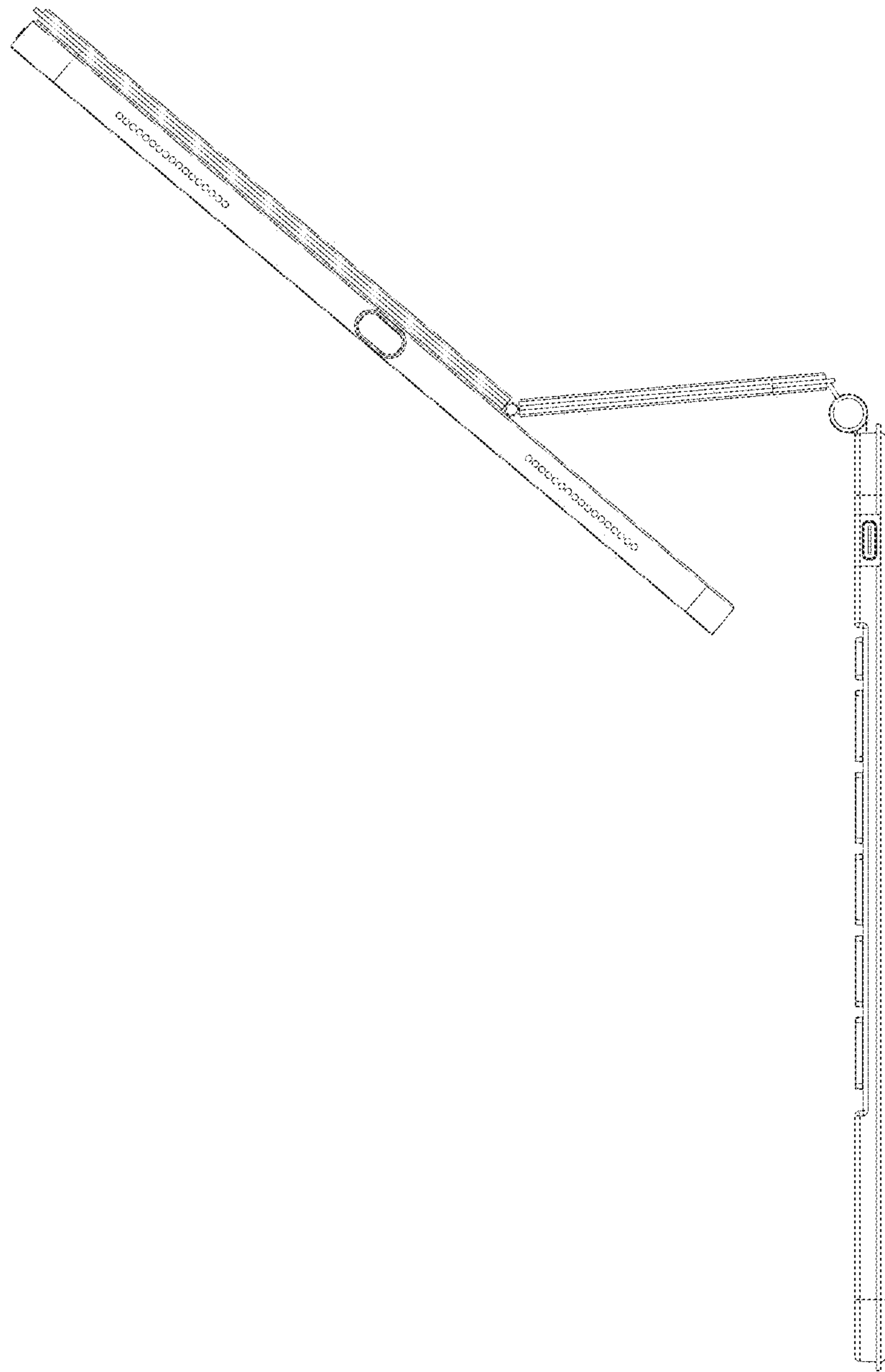


FIG. 6

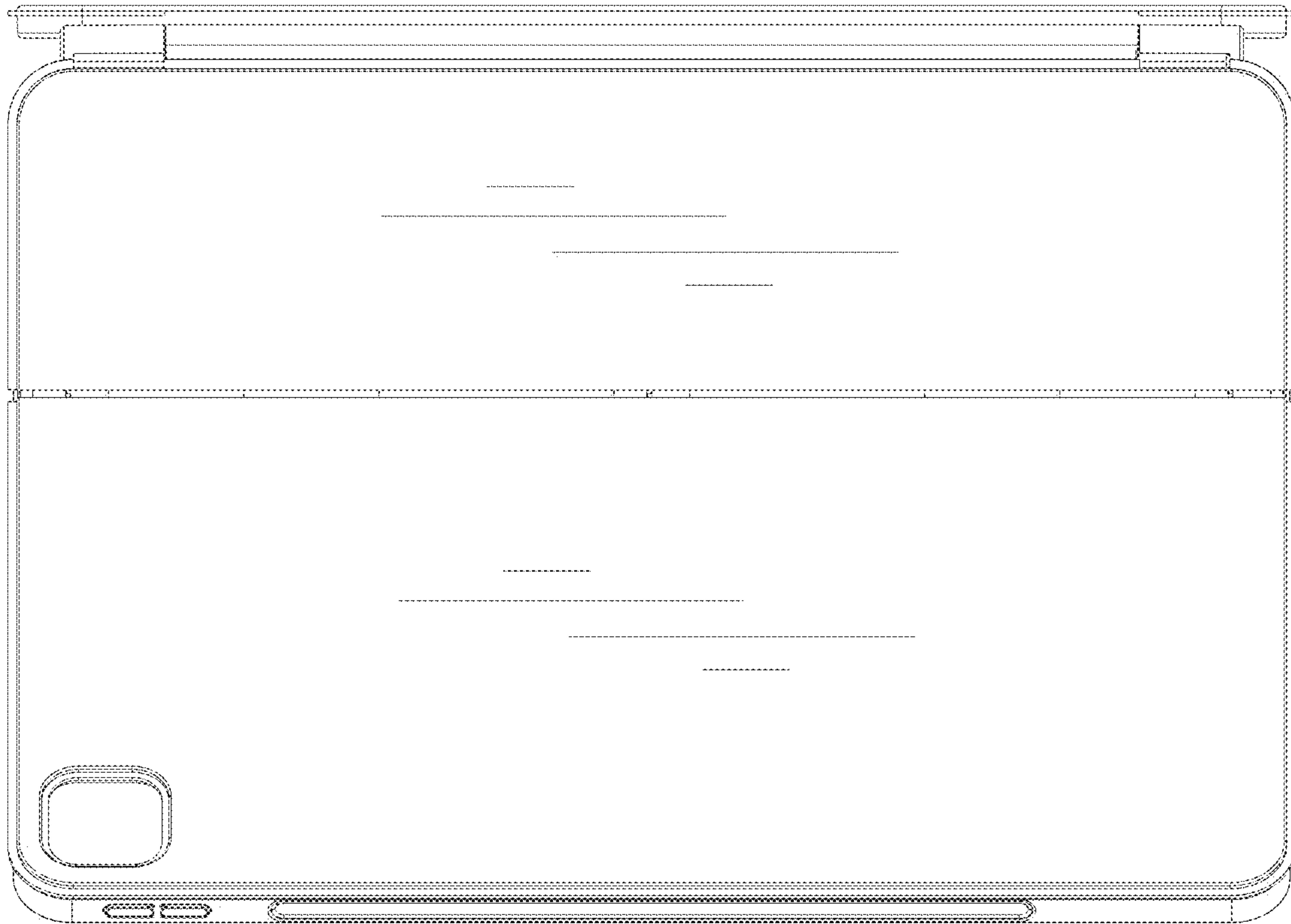


FIG. 7





FIG. 8

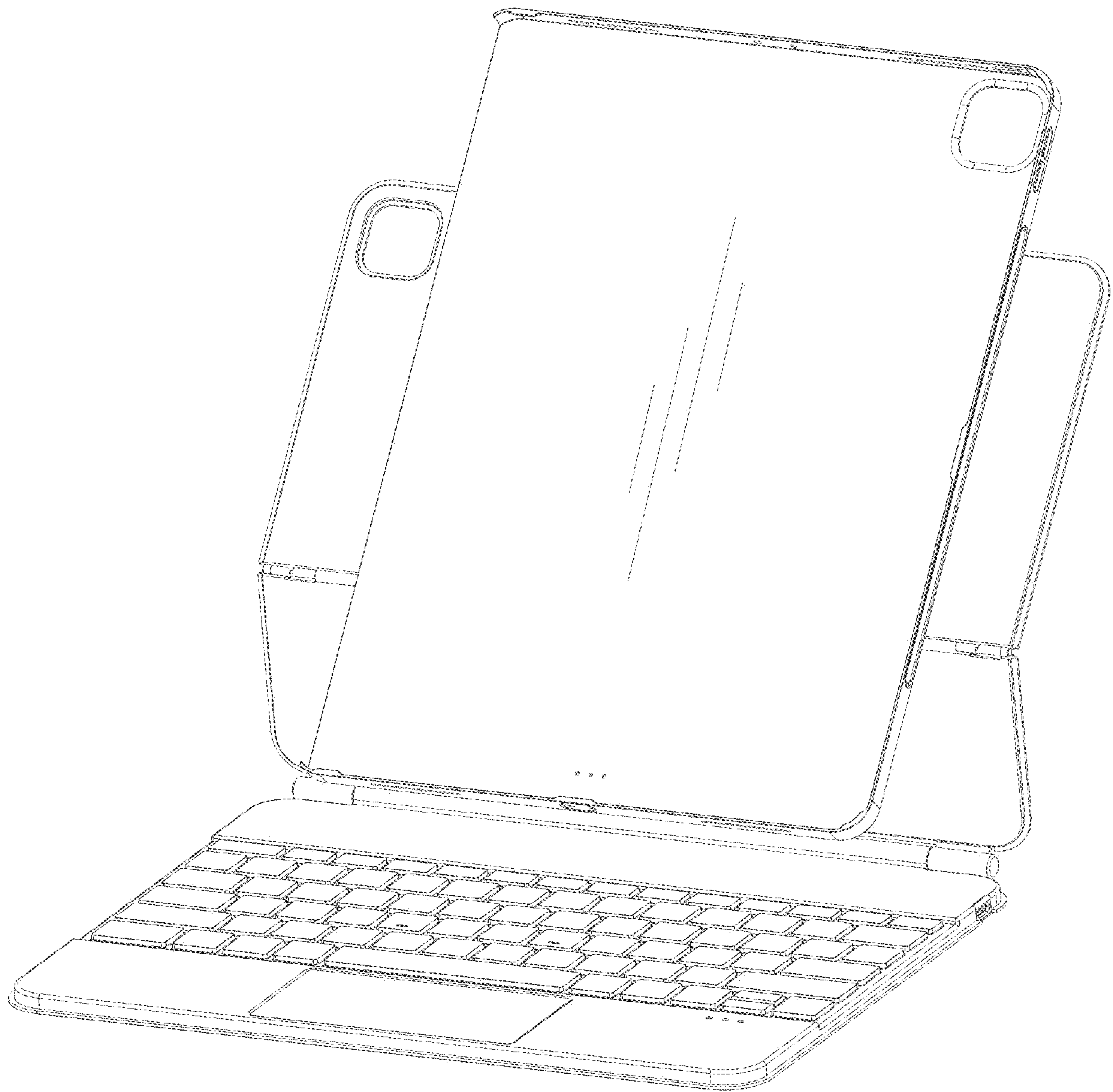


FIG. 9

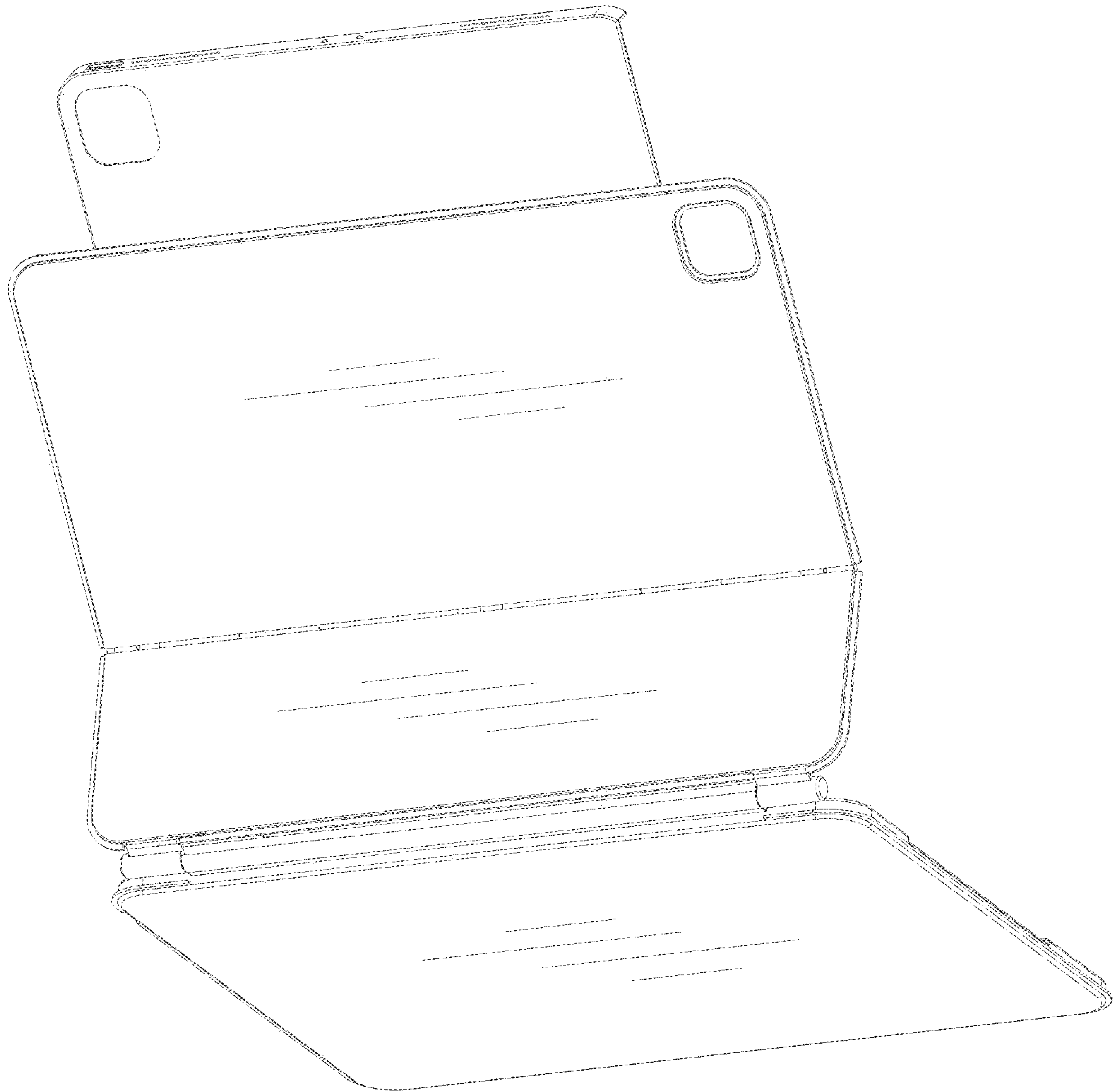


FIG. 10

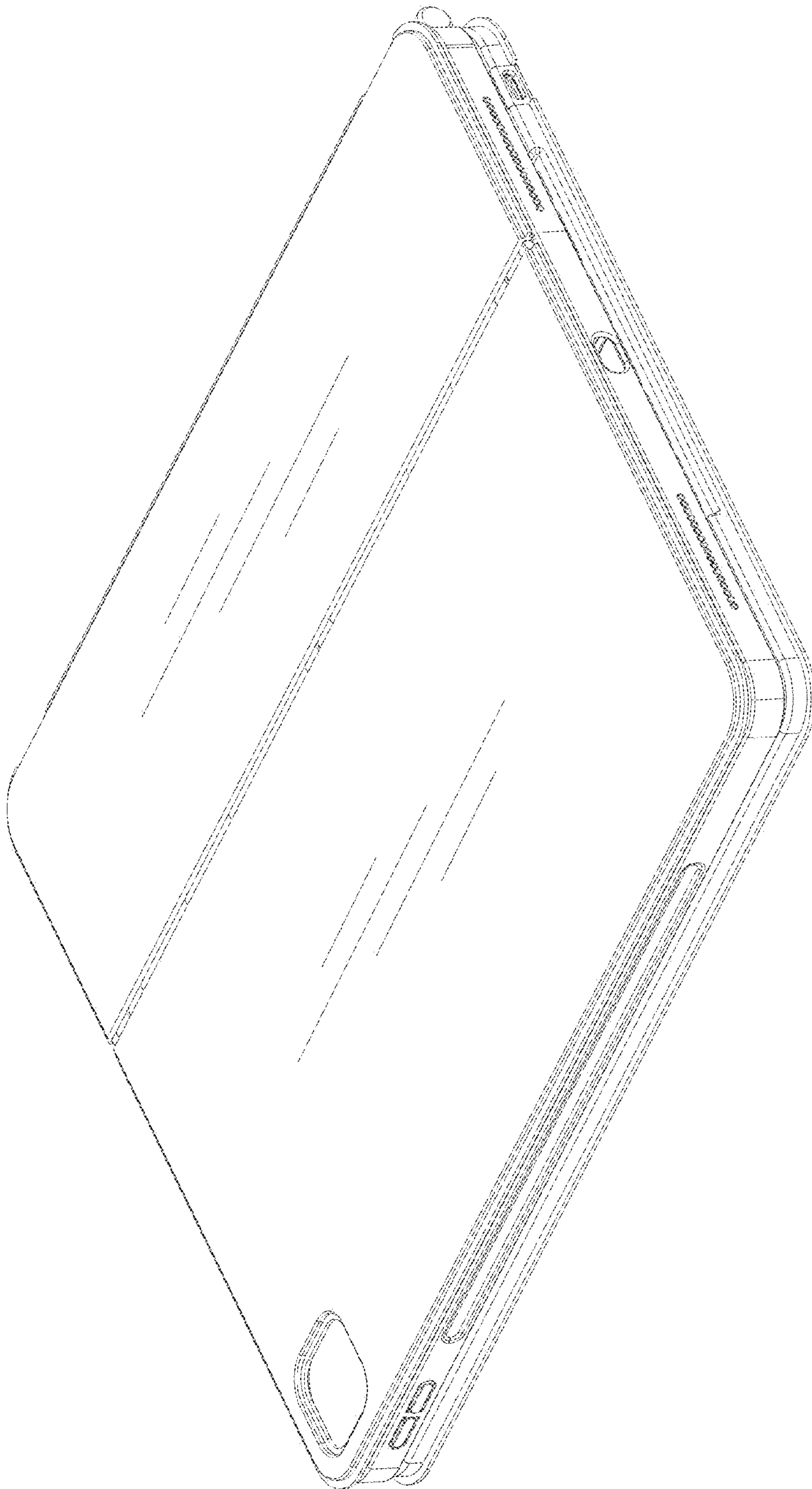


FIG. 11

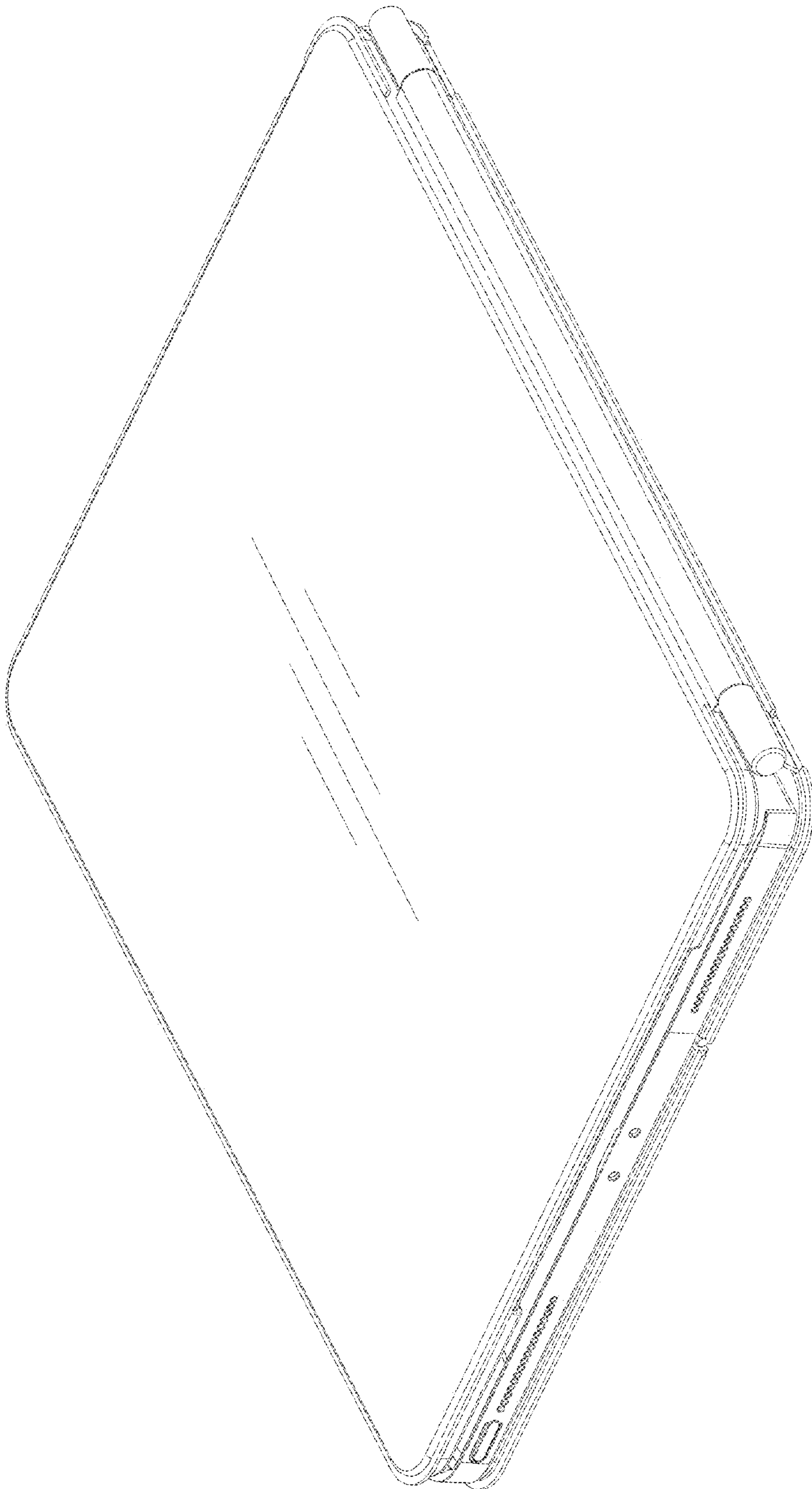


FIG. 12



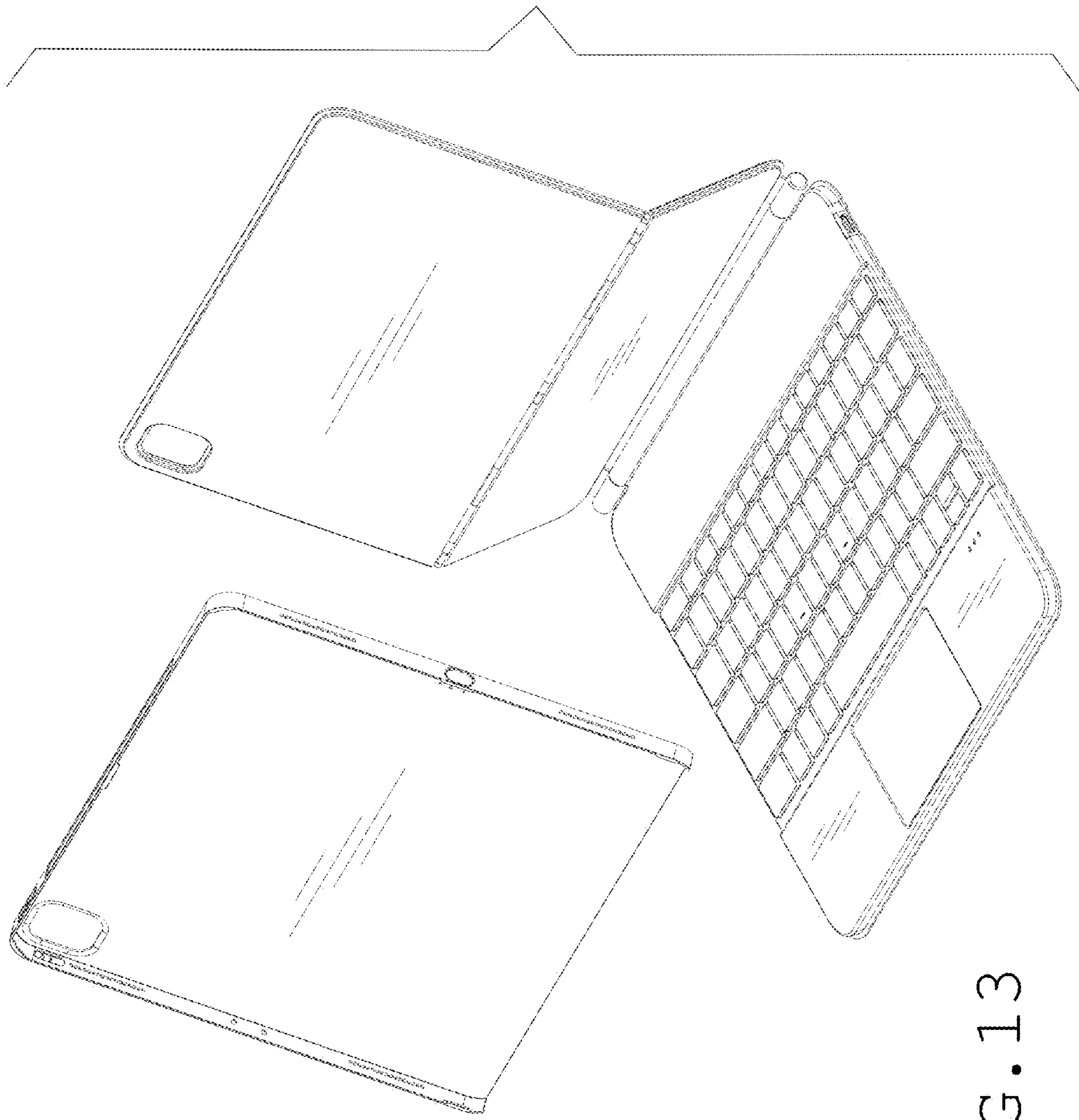


FIG. 13