

US00D967107S

(12) **United States Design Patent**  
**Zhao**

(10) **Patent No.:** **US D967,107 S**

(45) **Date of Patent:** **\*\* Oct. 18, 2022**

(54) **TABLET CASE**

(71) Applicant: **Qi Zhao**, Guangzhou (CN)

(72) Inventor: **Qi Zhao**, Guangzhou (CN)

(\*\*) Term: **15 Years**

(21) Appl. No.: **29/766,968**

(22) Filed: **Jan. 20, 2021**

(51) **LOC (13) Cl.** ..... **14-02**

(52) **U.S. Cl.**  
USPC ..... **D14/440**

(58) **Field of Classification Search**  
USPC ..... D14/440, 250, 447; 206/45.2, 45.23,  
206/320; 361/679.55; 294/25; 224/218  
CPC ... G06F 1/1628; G06F 1/1626; A47B 23/044;  
H04B 1/3888  
See application file for complete search history.

(56) **References Cited**

**U.S. PATENT DOCUMENTS**

D660,305 S *	5/2012	Ho	.....	D14/447
D747,321 S *	1/2016	London	.....	D14/440
D851,092 S *	6/2019	Tan	.....	D14/440
D879,788 S *	3/2020	Gao	.....	D14/440
D897,348 S *	9/2020	Liao	.....	D14/440
D898,036 S *	10/2020	Cheng	.....	D14/440
D917,491 S *	4/2021	Cheng	.....	D14/440
D925,543 S *	7/2021	Ma	.....	D14/440
D926,193 S *	7/2021	Ma	.....	D14/440

D930,002 S *	9/2021	Zhou	.....	D14/440
D944,256 S *	2/2022	Cheng	.....	D14/440
D949,153 S *	4/2022	Chen	.....	D14/440
2015/0009610 A1 *	1/2015	London	.....	G06F 1/163 16/408

\* cited by examiner

*Primary Examiner* — Katie Jane Stofko

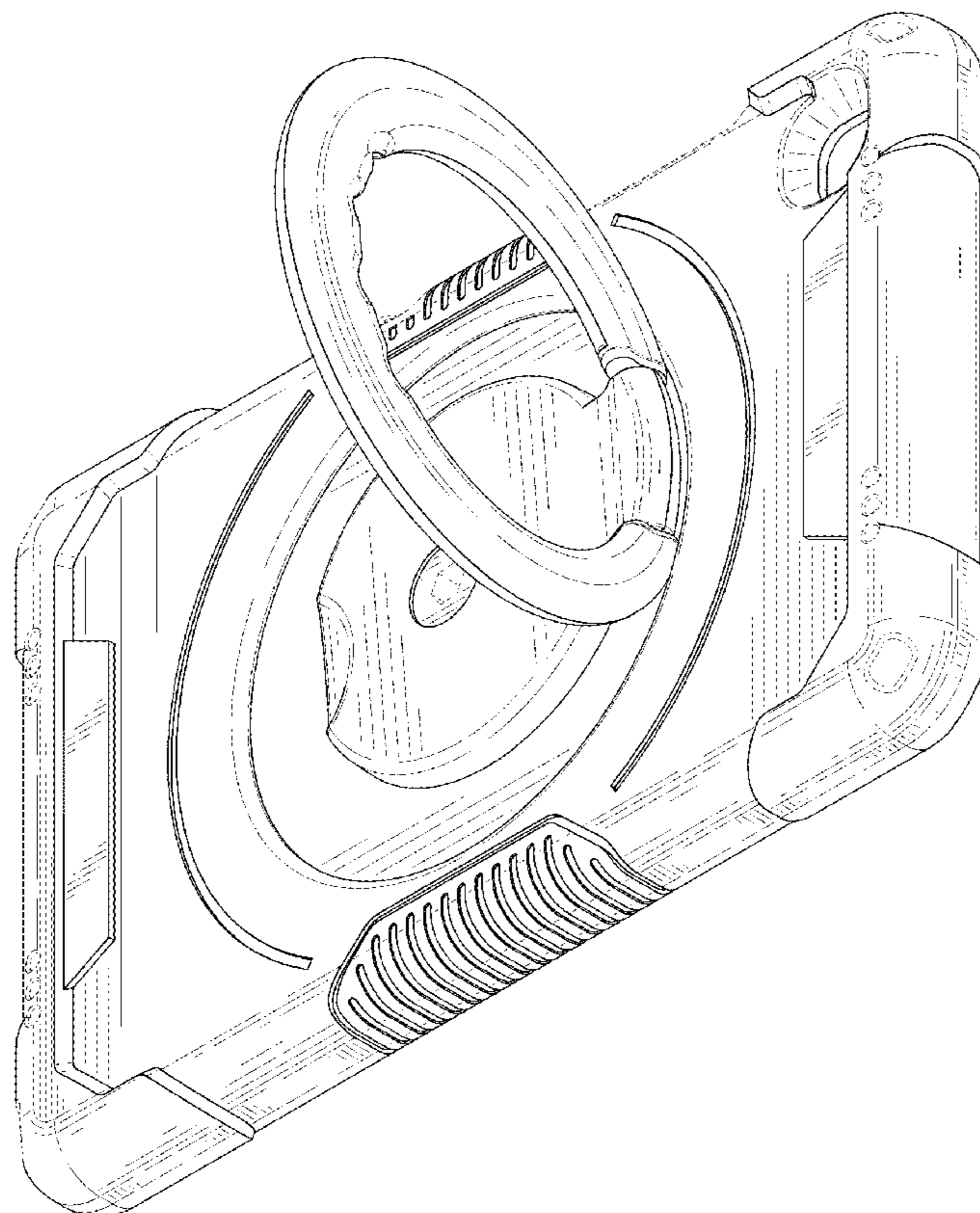
(57) **CLAIM**

The ornamental design for a tablet case, as shown and described.

**DESCRIPTION**

FIG. 1 is a first perspective view of a tablet case showing my new design;  
 FIG. 2 is a second perspective view thereof;  
 FIG. 3 is a front view thereof;  
 FIG. 4 is a back view thereof;  
 FIG. 5 is a left side view thereof;  
 FIG. 6 is a right side view thereof;  
 FIG. 7 is a top view thereof;  
 FIG. 8 is a bottom view thereof; and,  
 FIG. 9 is another perspective view thereof, shown in an open position.  
 The broken lines shown in the drawings depict portions of the tablet case in which the design is embodied that form no part of the claimed design.

**1 Claim, 9 Drawing Sheets**



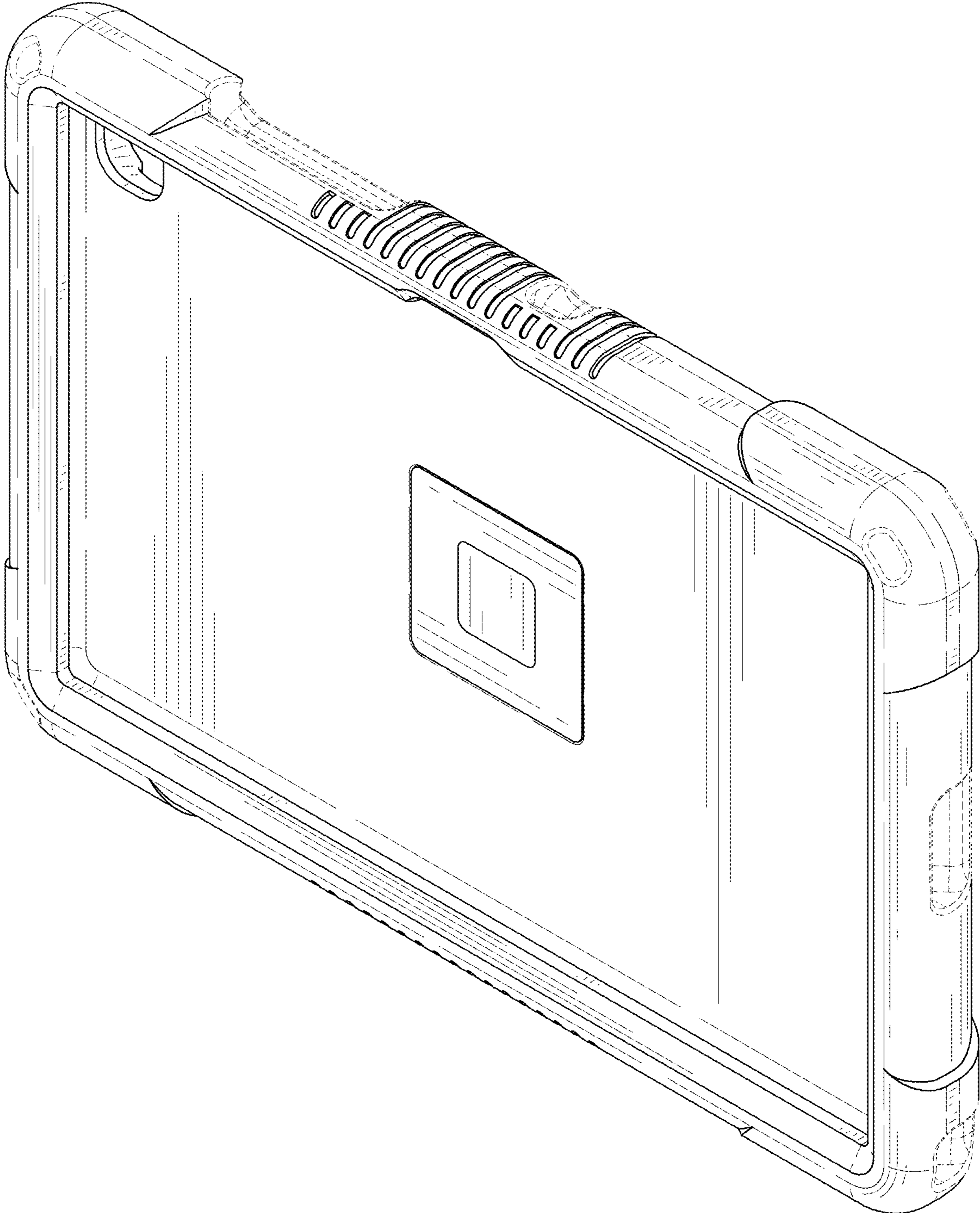


FIG. 1



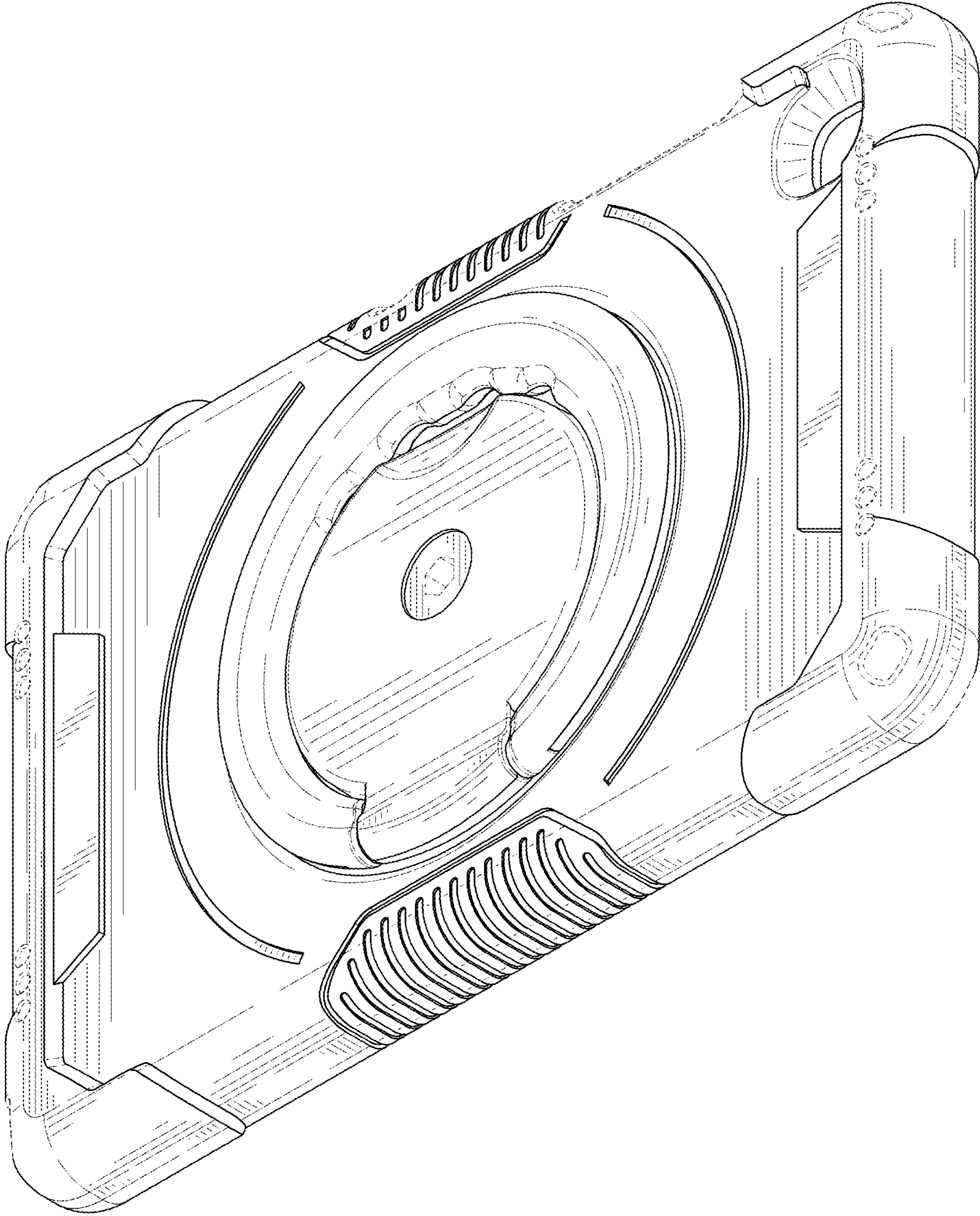


FIG. 2

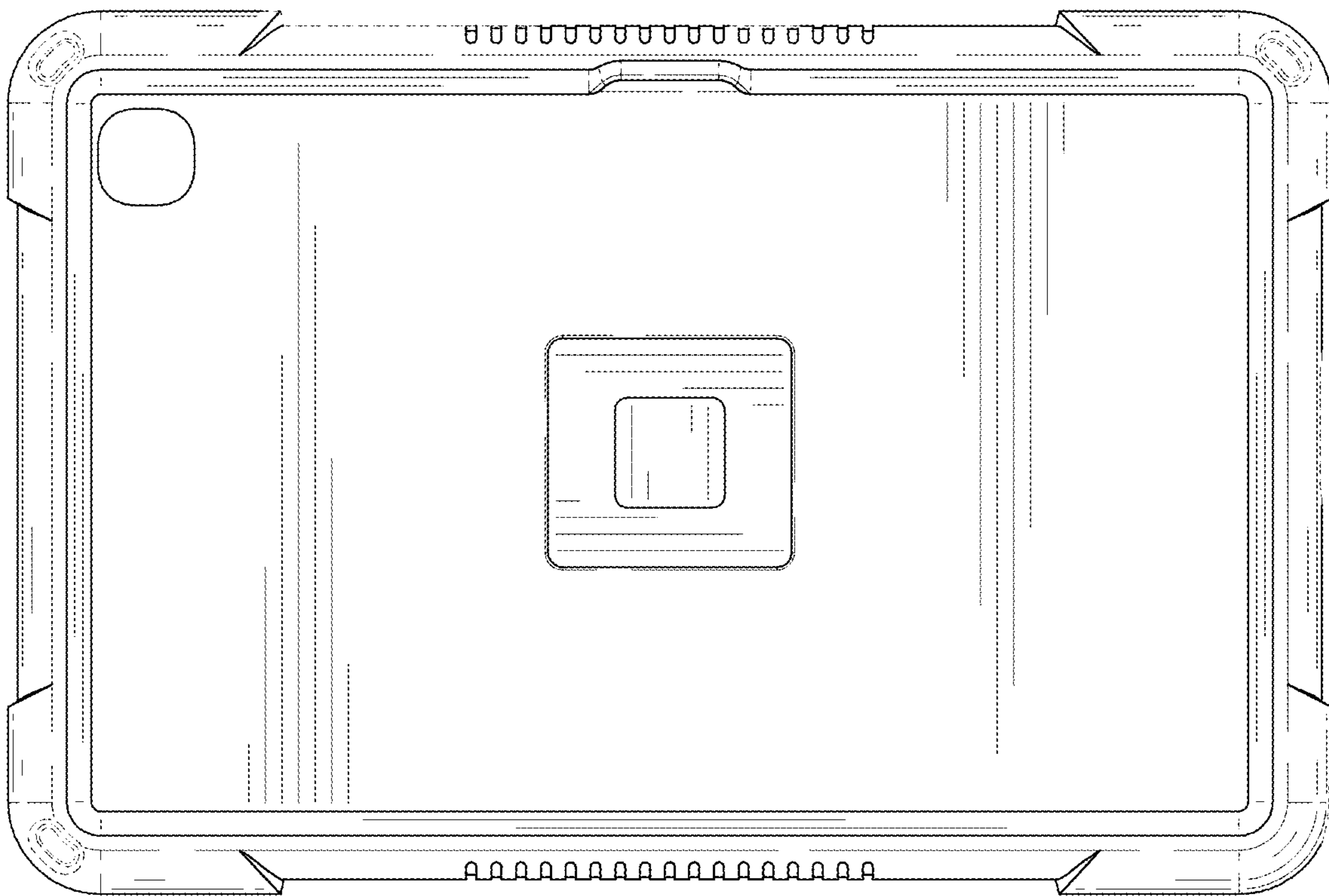


FIG. 3

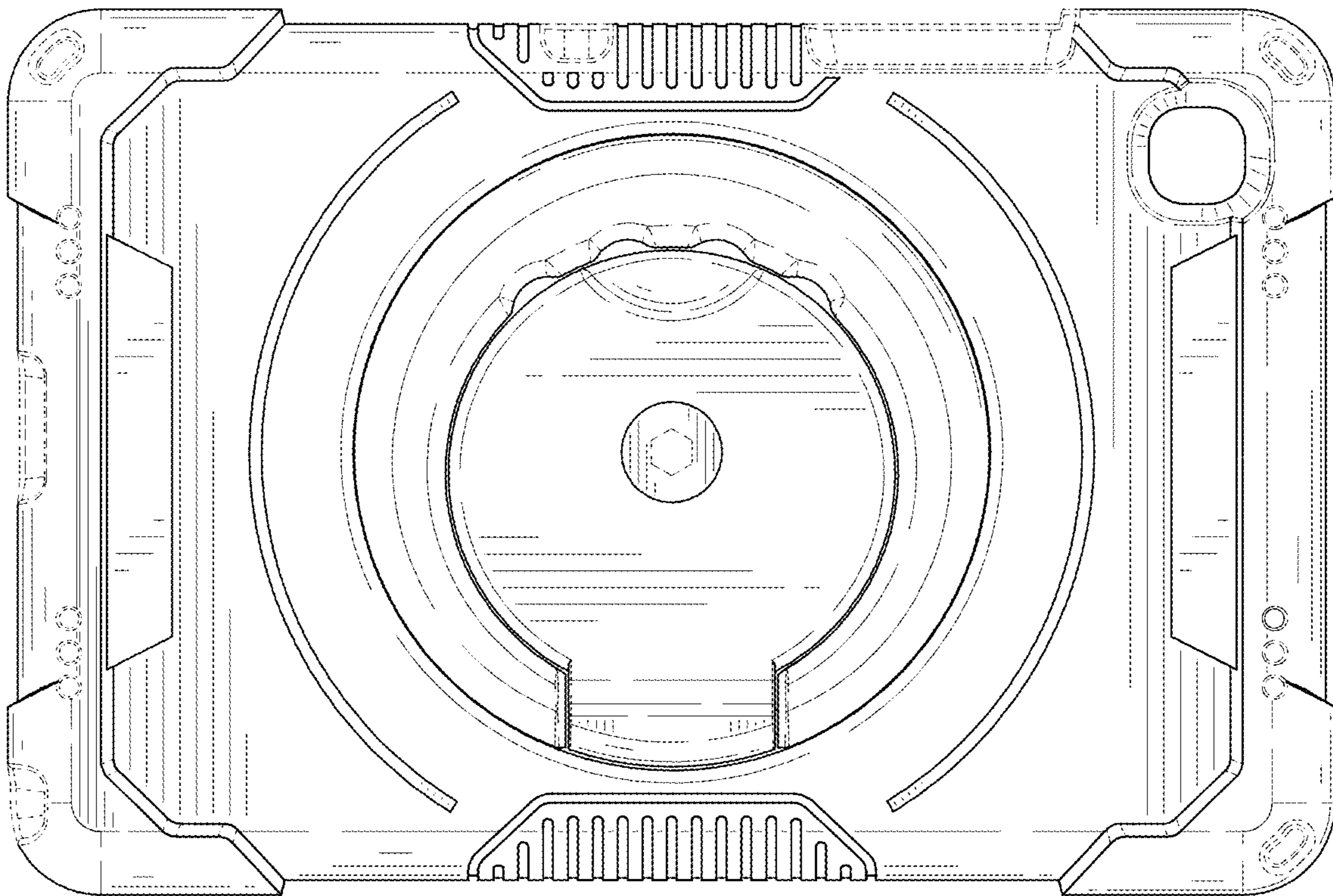


FIG. 4

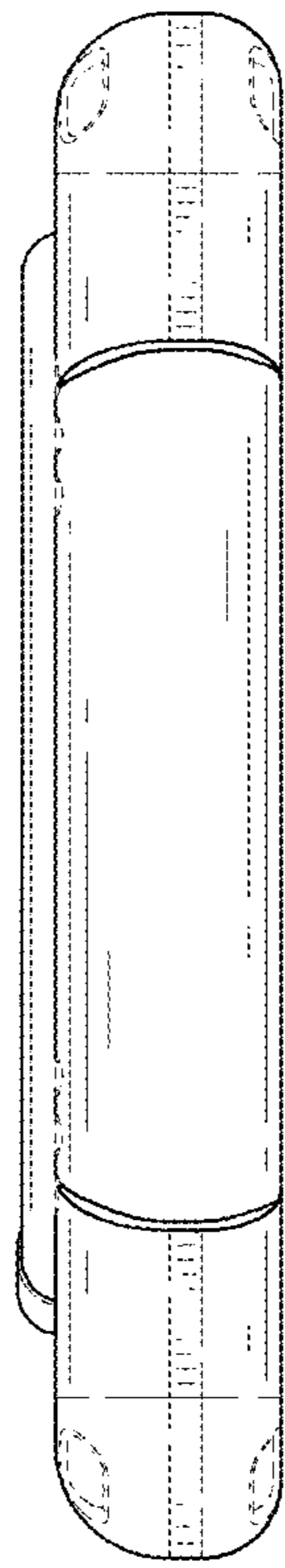


FIG. 5

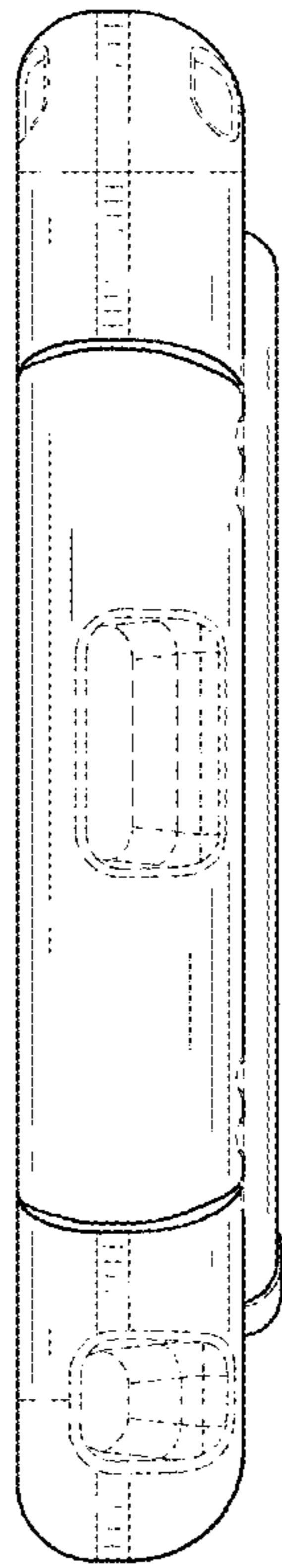


FIG. 6

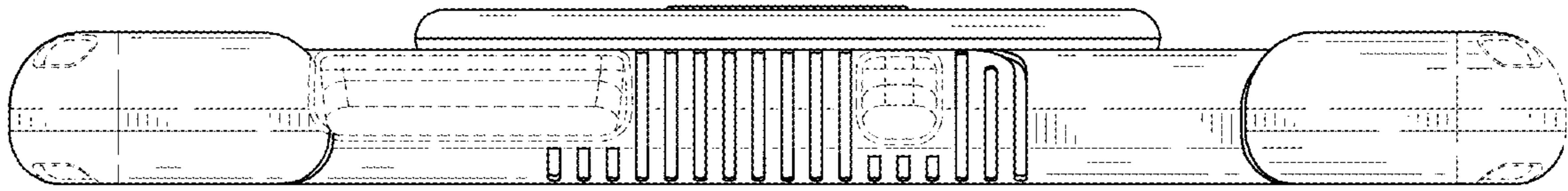


FIG. 7



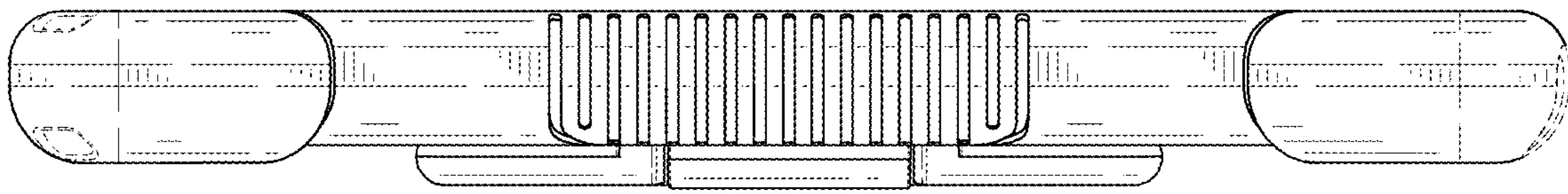


FIG. 8

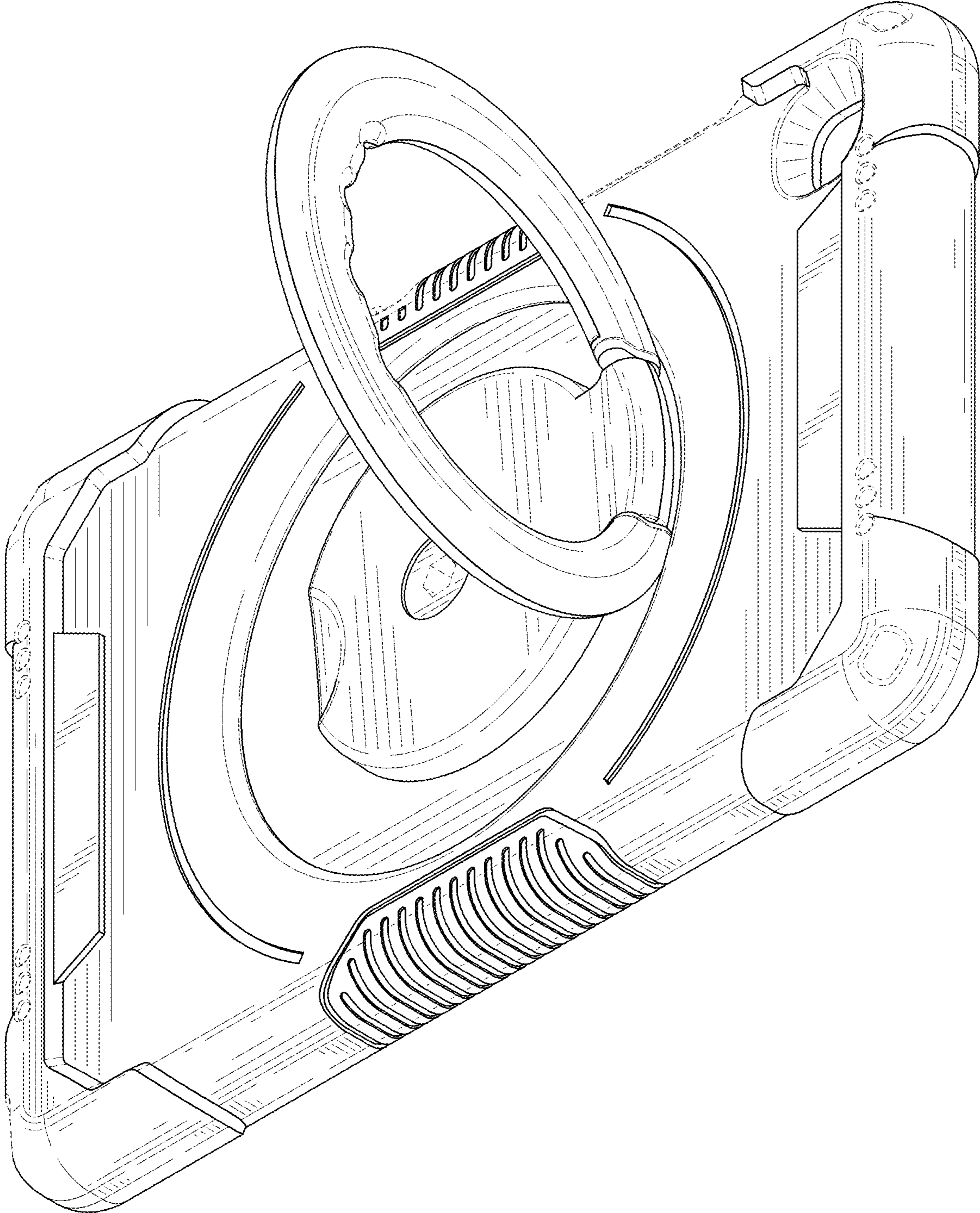


FIG. 9