



US00D967106S

(12) **United States Design Patent**
Jiang

(10) **Patent No.:** **US D967,106 S**

(45) **Date of Patent:** **** Oct. 18, 2022**

(54) **DOCKING STATION**

(71) Applicant: **Shenzhen Colorii Tech Limited,**
Shenzhen (CN)

(72) Inventor: **Shu Jiang,** Guangdong (CN)

(73) Assignee: **SHENZHEN COLORII TECH LIMITED,** Shenzhen (CN)

(**) Term: **15 Years**

(21) Appl. No.: **29/782,783**

(22) Filed: **May 10, 2021**

(51) **LOC (13) Cl.** **14-02**

(52) **U.S. Cl.**
USPC **D14/434**

(58) **Field of Classification Search**
USPC D14/240, 242, 356, 357, 358, 378, 383,
D14/384, 386, 433, 434, 435.1, 480.1,
D14/480.3, 480.4, 480.5, 480.6, 480.7;
D13/103, 107, 108, 110, 146,
D13/139.6–139.8, 148, 184; D18/12,
D18/12.1, 12.3

CPC H01R 27/02; H01R 25/003; H01R 25/006;
H01R 31/005; H01R 13/60; H01R
13/6658; H01R 13/72; G06F 1/1607;
G06F 1/1632; G06F 1/1684; G06F 1/266;
G06F 11/325; G06F 13/00; G06F 13/12;
G06F 13/14; G06F 13/20; G06F 13/382;
G06F 13/4002; G06F 9/4413

See application file for complete search history.

(56) **References Cited**

U.S. PATENT DOCUMENTS

D331,573 S * 12/1992 Iino D14/434
D402,642 S * 12/1998 Faranda D14/434

RE42,054 E * 1/2011 Park D14/447
D631,051 S * 1/2011 DeFronzo D14/434
D694,241 S * 11/2013 Cho D14/432
D844,006 S * 3/2019 Molnár D14/434
D876,356 S * 2/2020 Tanaka D13/123
2009/0154089 A1* 6/2009 Seo G06F 1/203
361/679.48

OTHER PUBLICATIONS

Type-C Aluminum Monitor Stand Hub for IMAC, first available Dec. 24, 2018, satechi.net [online][site visited Jul. 26, 2022], Available from internet URL: <https://satechi.net/products/aluminum-imac-stand?variant=15389385261144> (Year: 2018).*

(Continued)

Primary Examiner — Samantha Q Lawrence
Assistant Examiner — Holly M Rodriguez

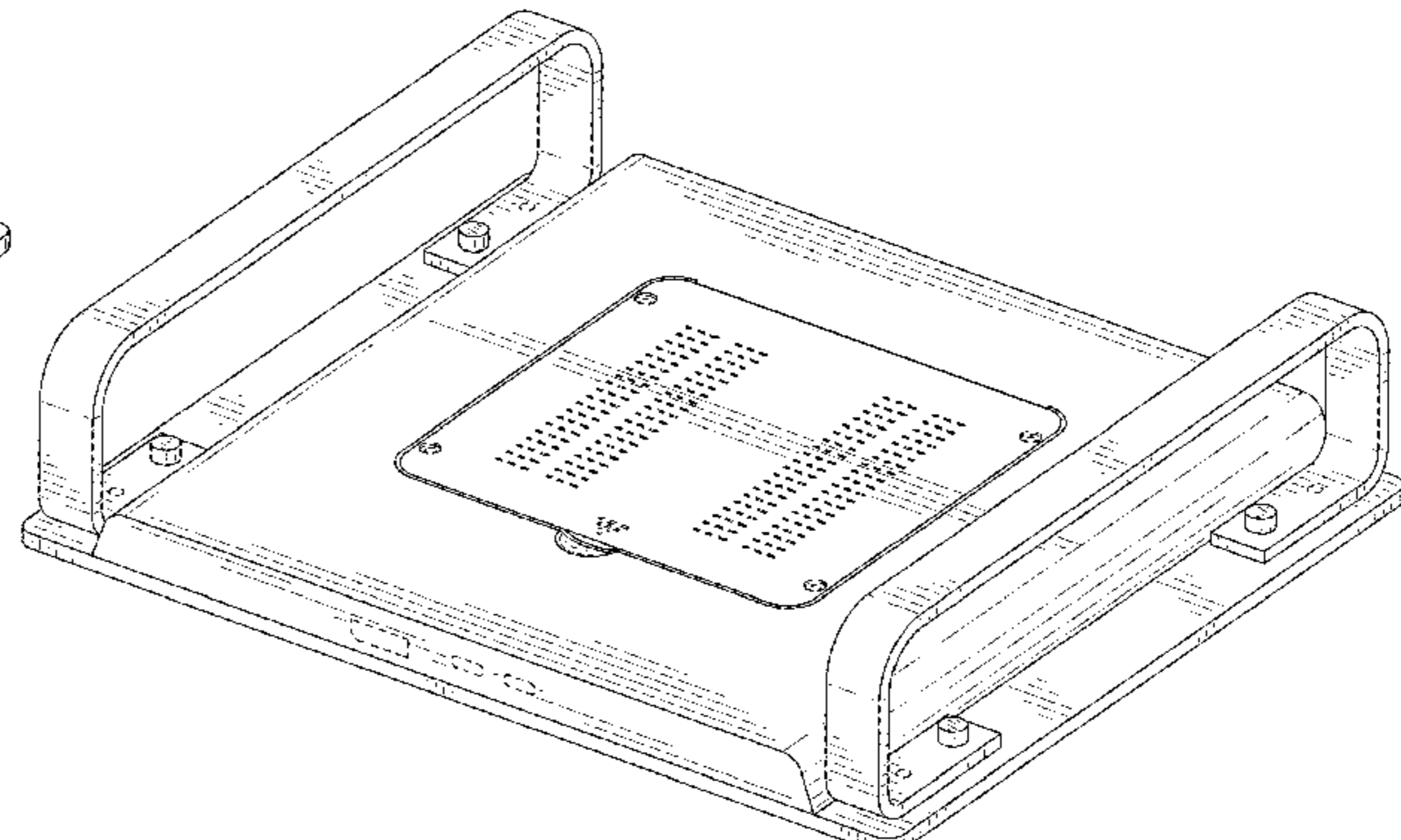
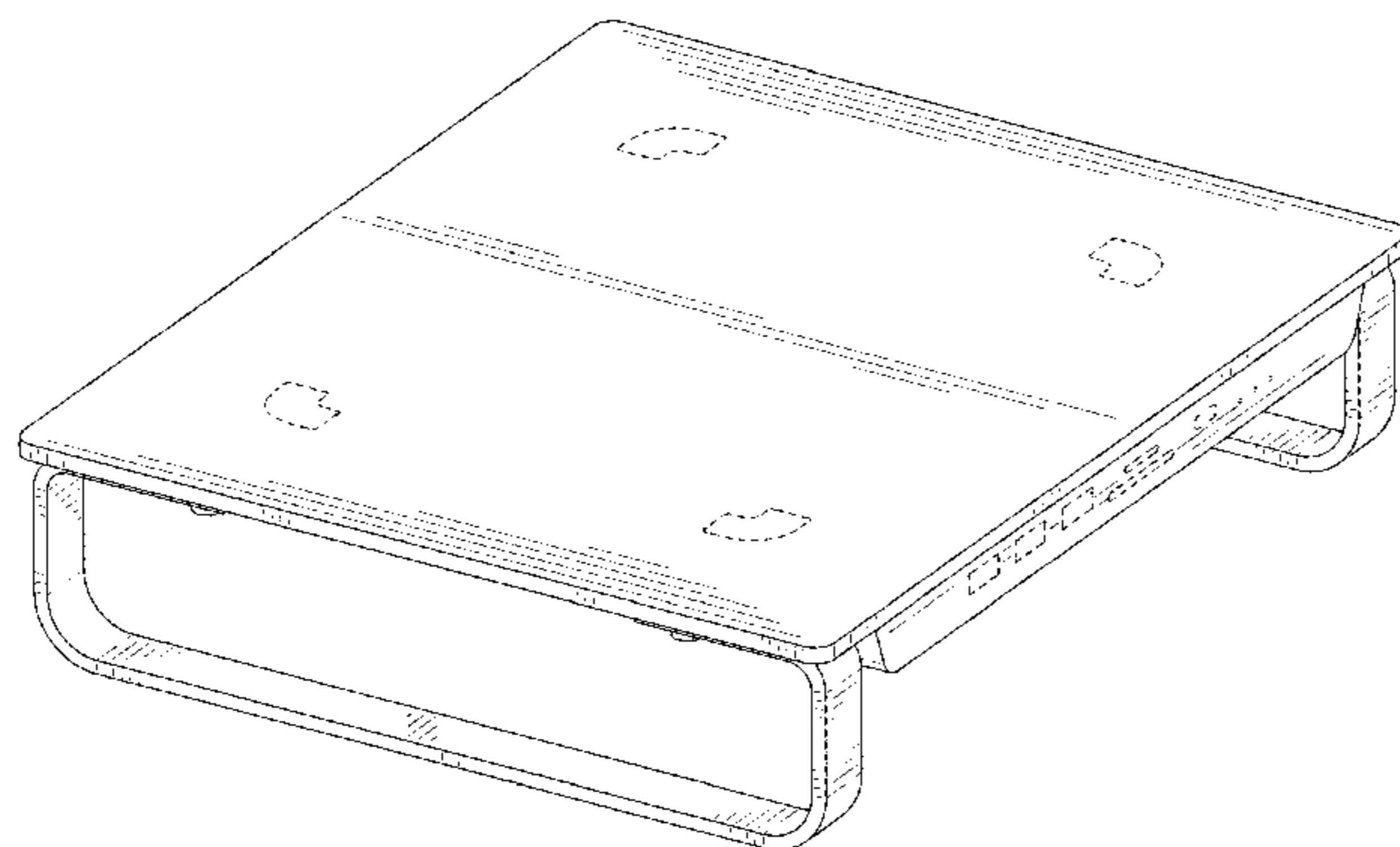
(57) **CLAIM**

The ornamental design for a docking station, as shown and described.

DESCRIPTION

FIG. 1 is a left, top and front perspective view of a docking station showing my new design;
FIG. 2 is a right, bottom and rear perspective view of the docking station of FIG. 1;
FIG. 3 is a front view of the docking station of FIG. 1;
FIG. 4 is a rear view of the docking station of FIG. 1;
FIG. 5 is a left side view of the docking station of FIG. 1;
FIG. 6 is a right side view of the docking station of FIG. 1;
FIG. 7 is a top view of the docking station of FIG. 1; and
FIG. 8 is a bottom view of the docking station of FIG. 1.
The broken lines in the figures illustrate portions of the article that form no part of the claimed design.

1 Claim, 8 Drawing Sheets



(56)

References Cited

OTHER PUBLICATIONS

Enusung Dual Monitor Stand with Wireless Charging and USB 3.0/2.0 Ports, first available Oct. 29, 2021, amazon.com, [online], [site visited Jul. 26, 2022], Available from internet URL: <https://www.amazon.com/dp/B09MRNCPJX/> (Year: 2021).*

Satechi—USB-C Monitor Stand Hub XL, bestbuy.com, [online], [site visited Feb. 6, 2022], Available from internet URL: <https://www.bestbuy.com/site/satechi-usb-c-monitor-stand-hub-xl-space-gray/6502861.p?skuId=6502861> (Year: 2022).*

* cited by examiner

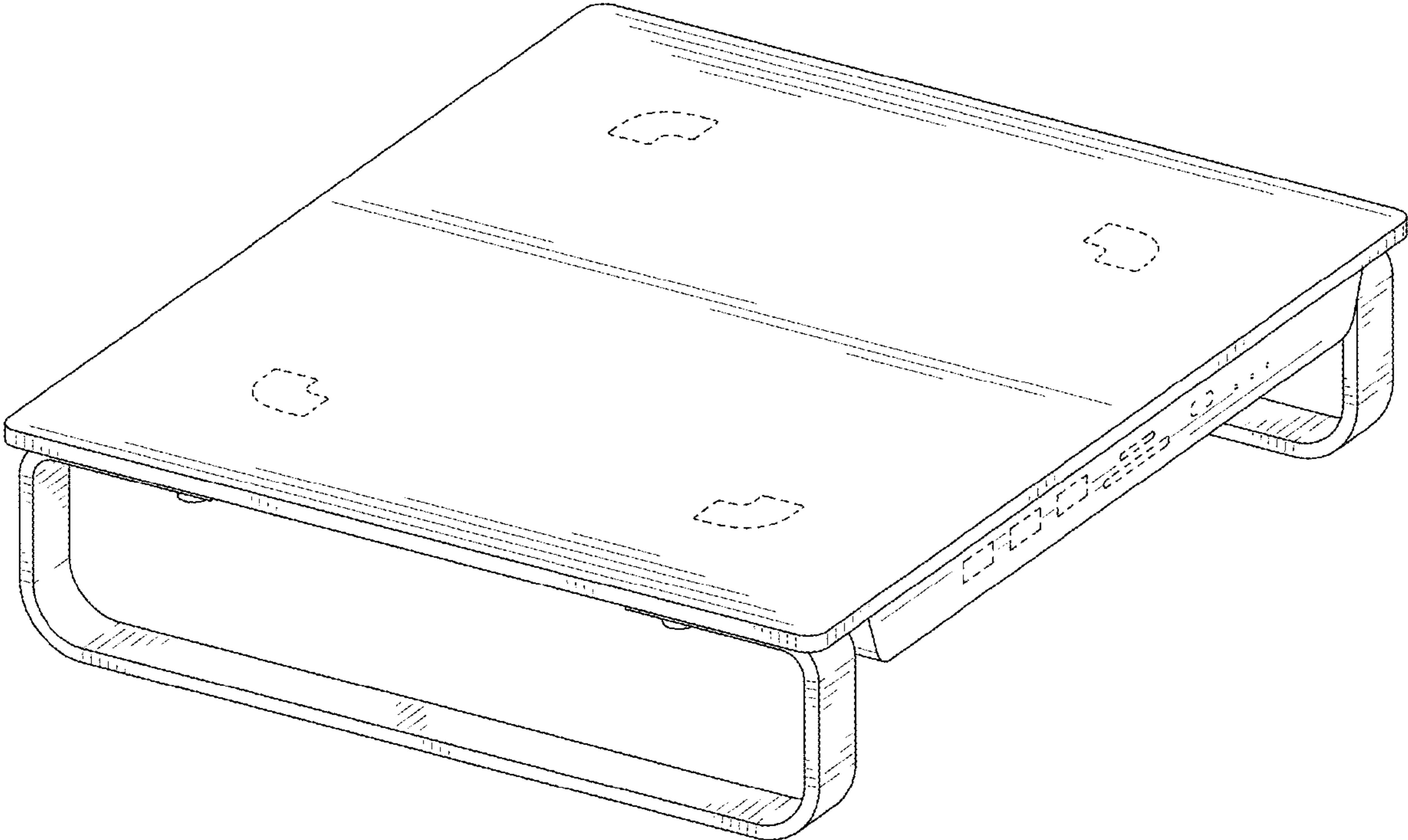


FIG. 1

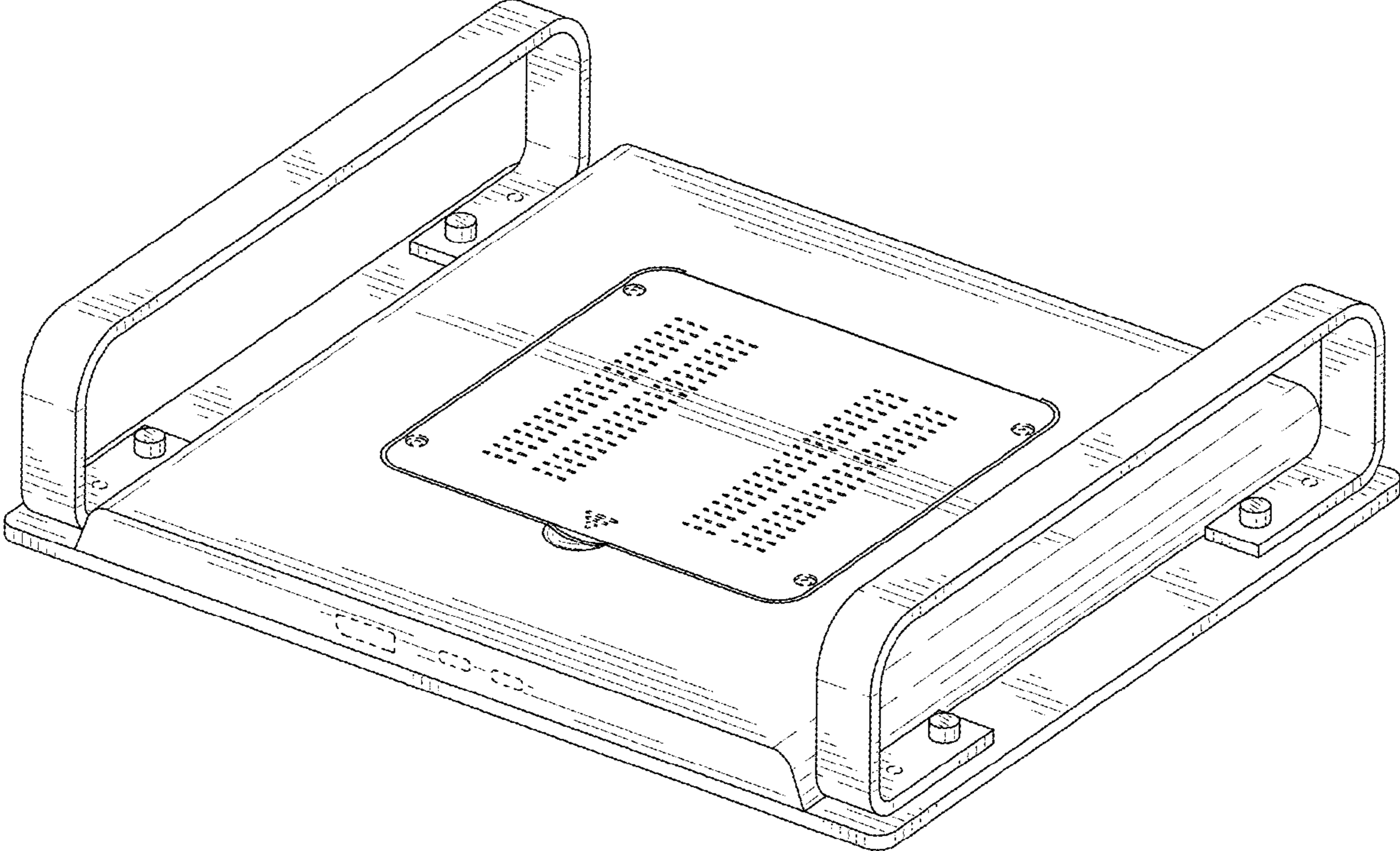


FIG. 2

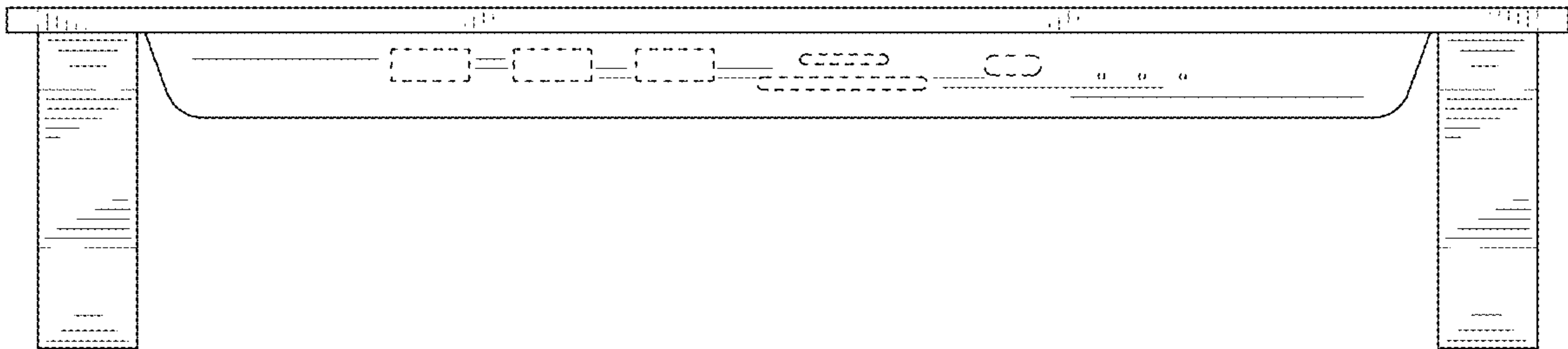


FIG. 3

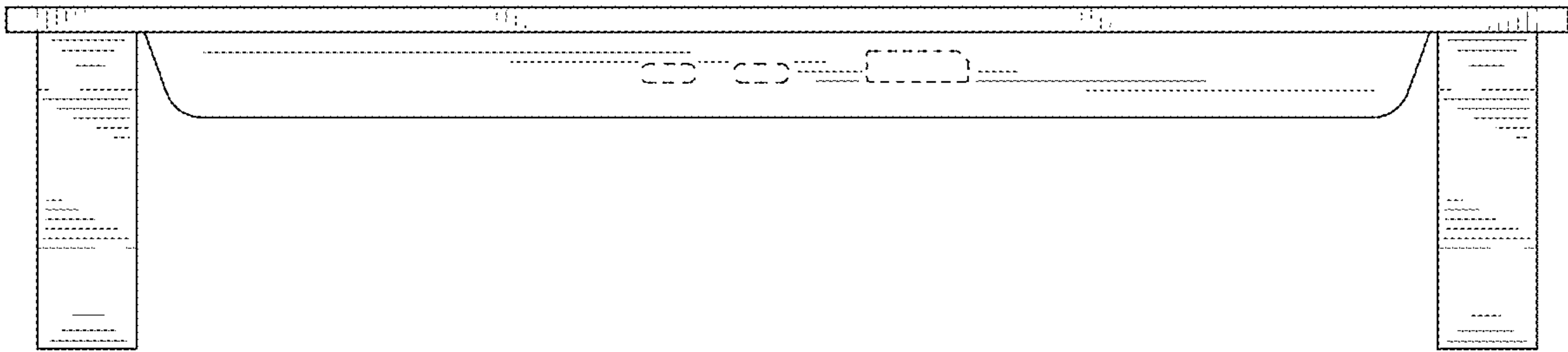


FIG. 4

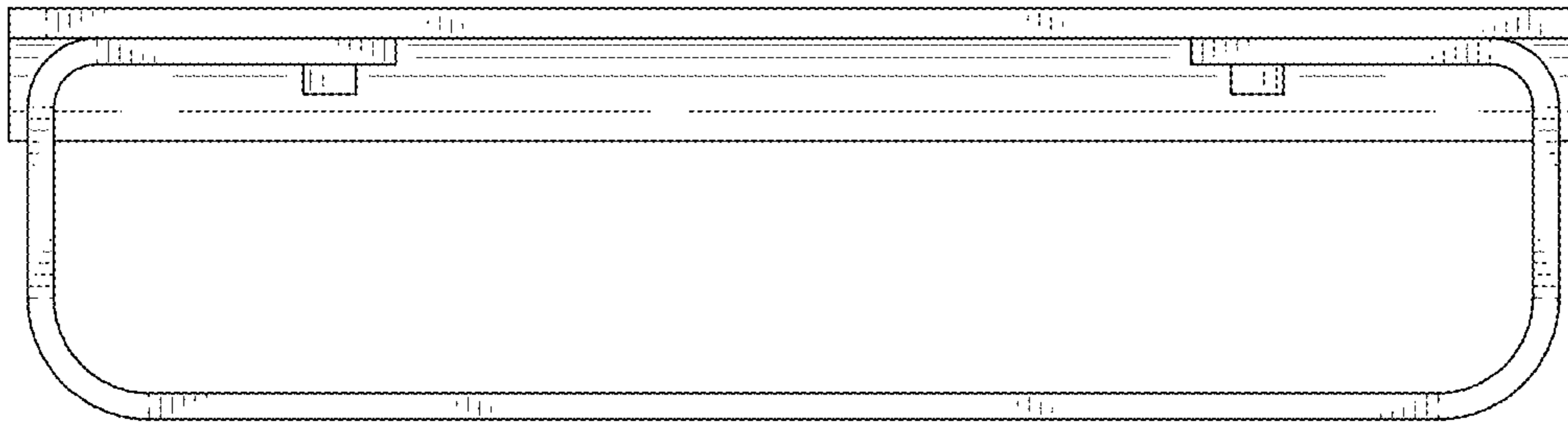


FIG. 5

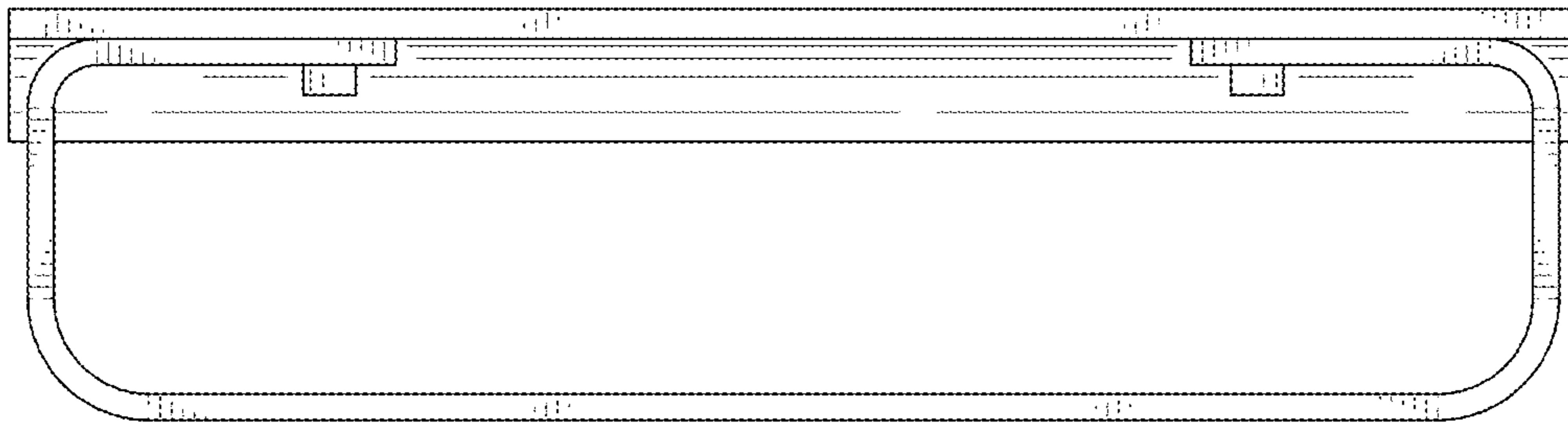


FIG. 6

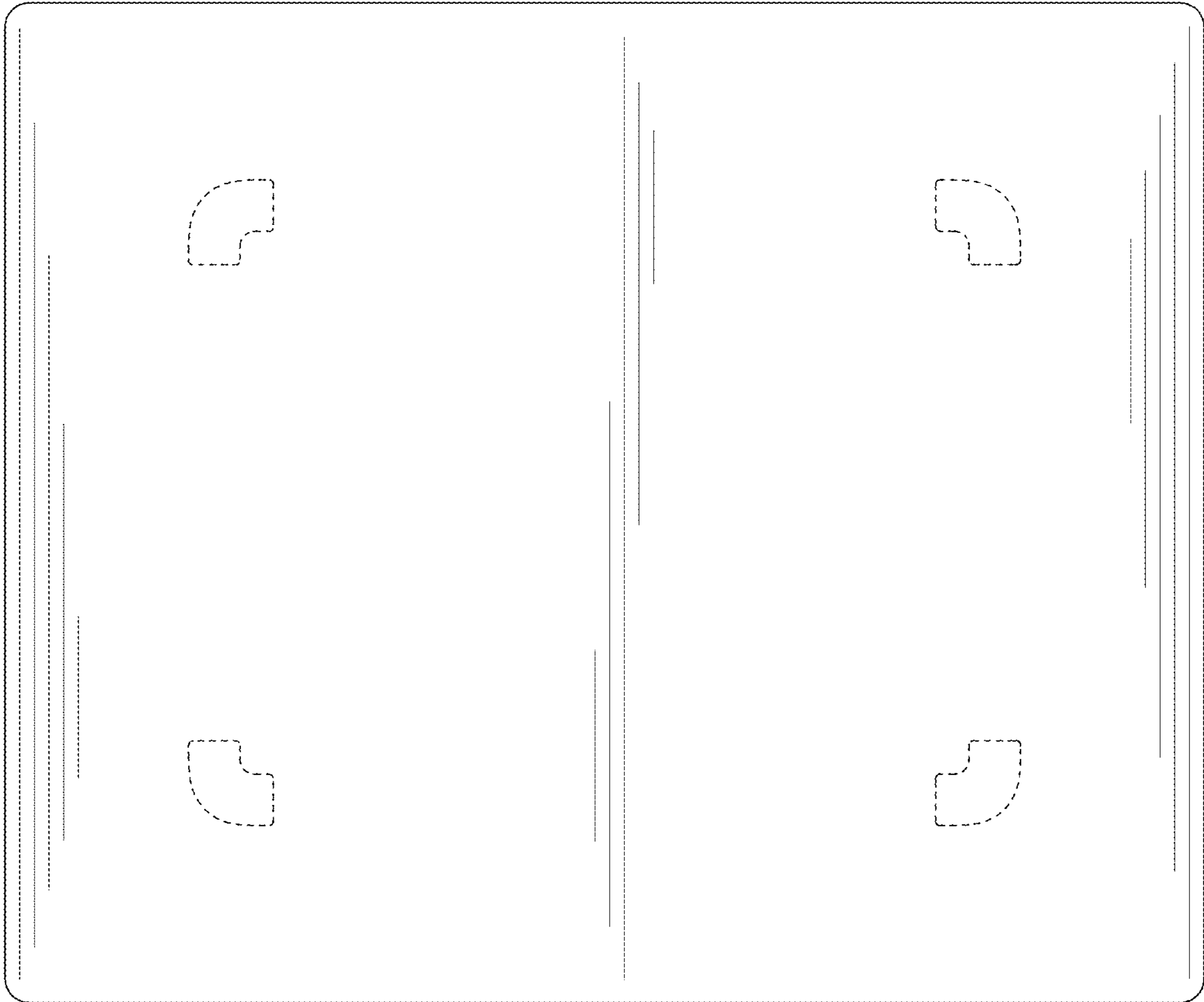


FIG. 7

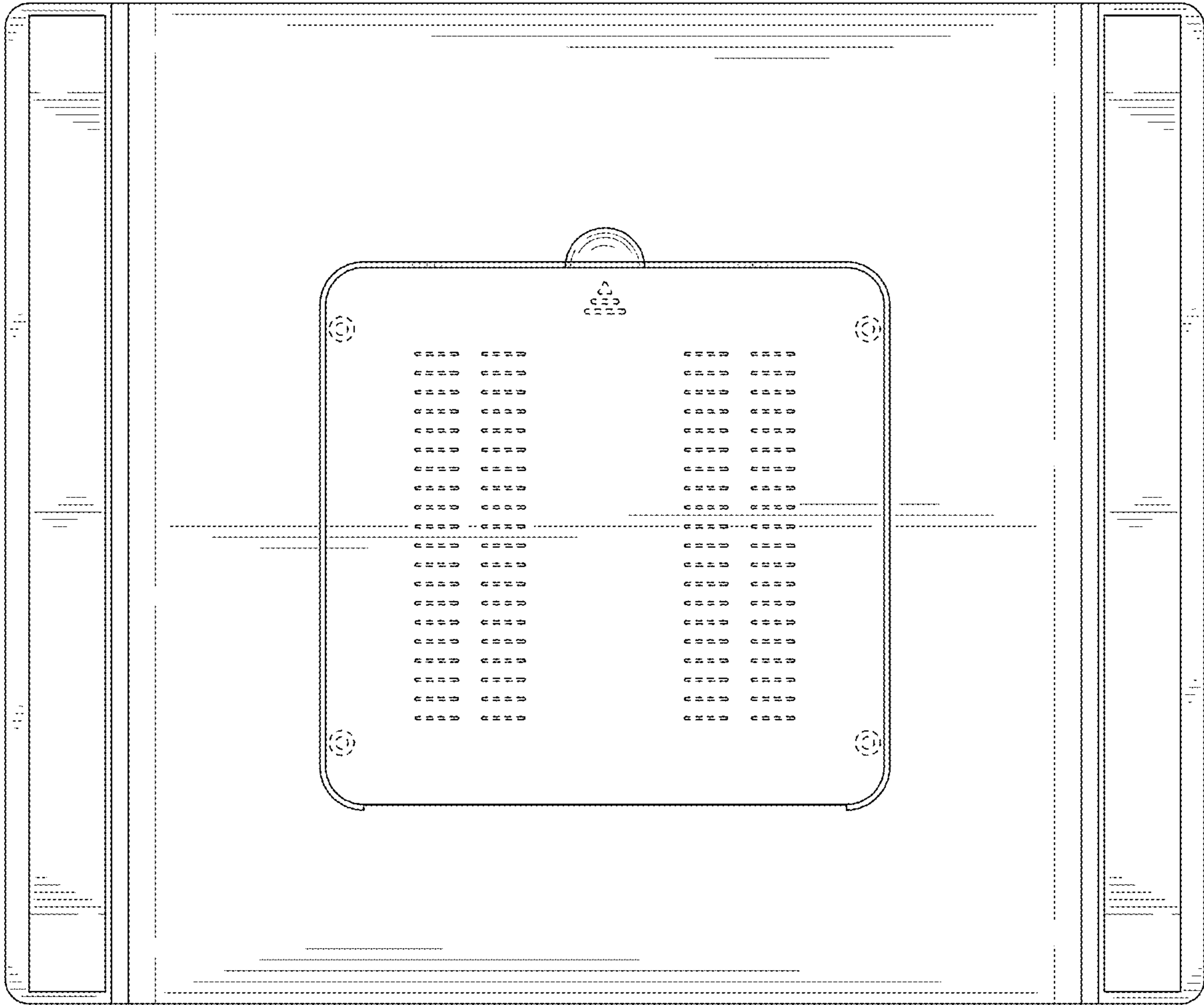


FIG. 8