



US00D967102S

(12) **United States Design Patent** (10) **Patent No.:** **US D967,102 S**
Lee (45) **Date of Patent:** **** Oct. 18, 2022**

(54) **COVER FOR STYLUS PEN**
(71) Applicant: **ELAGO COMPANY CO., LTD.,**
Goyang-si (KR)
(72) Inventor: **Chanwoo Lee,** Goyang-si (KR)
(73) Assignee: **ELAGO COMPANY CO., LTD.,**
Goyang-si (KR)
(**) Term: **15 Years**

D826,230 S 8/2018 Peterson et al.
D851,643 S * 6/2019 Nishizawa D14/411
D864,298 S 10/2019 Li
D901,585 S 11/2020 Vadenne
D908,703 S * 1/2021 Huang D14/411
D908,795 S 1/2021 Vadenne
D909,379 S 2/2021 Liu
D914,683 S * 3/2021 Son D14/411
D915,404 S 4/2021 Lai
D916,704 S 4/2021 Ding et al.
D921,629 S * 6/2021 Liu D14/411
D921,630 S * 6/2021 Liu D14/411
D921,632 S * 6/2021 Huang D14/411

(Continued)

(21) Appl. No.: **29/811,355**

(22) Filed: **Oct. 13, 2021**

(51) **LOC (13) Cl.** **14-02**

(52) **U.S. Cl.**
USPC **D14/411**

(58) **Field of Classification Search**
USPC D14/372, 496, 432, 371, 125, 126, 129,
D14/299, 411; D16/300-342; 351/158,
351/153, 144; 345/7-9, 905; 455/344;
348/115, 53, 121, 739
CPC G02B 27/017; G06F 3/016; G06F 3/033;
G06F 3/0317; G06F 3/03545; G06F
3/041; G06K 9/222
See application file for complete search history.

FOREIGN PATENT DOCUMENTS

CN 304536780 3/2018
EM 001145338-0002 7/2009
JP 01674323 12/2020

(Continued)

Primary Examiner — Austin Murphy
(74) *Attorney, Agent, or Firm* — Paratus Law Group,
PLLC

(57) **CLAIM**

The ornamental design for a cover for stylus pen, as shown and described.

DESCRIPTION

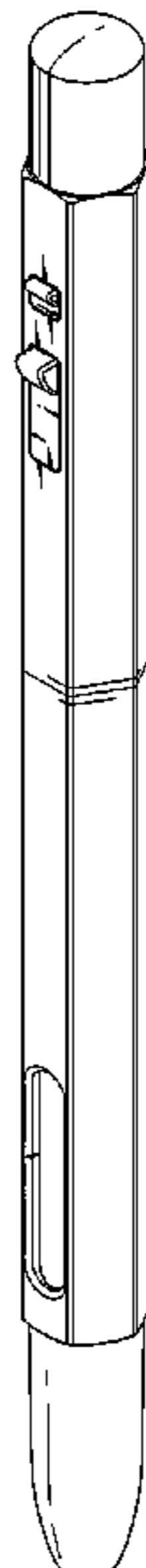
FIG. 1 is a front, top, and right-side perspective view of a cover for stylus pen showing my new design;
FIG. 2 is a front view thereof;
FIG. 3 is a back view thereof;
FIG. 4 is a left-side view thereof;
FIG. 5 is a right side view thereof;
FIG. 6 is an enlarged top view thereof;
FIG. 7 is an enlarged bottom view thereof; and,
FIG. 8 is a front, bottom, and right-side perspective view thereof.

1 Claim, 5 Drawing Sheets

(56) **References Cited**

U.S. PATENT DOCUMENTS

D587,310 S 2/2009 Paslawski
D611,476 S * 3/2010 Busri D14/411
D641,755 S * 7/2011 Rashid D14/411
D681,038 S * 4/2013 Tomohiro D14/411
D681,113 S 4/2013 Huang
D688,665 S 8/2013 Huang
D697,915 S * 1/2014 Lien D14/411
D705,780 S 5/2014 Nishizawa
D717,301 S * 11/2014 Groene D19/934
D743,964 S * 11/2015 Swessi D14/411
D783,616 S 4/2017 Hong



(56)

References Cited

U.S. PATENT DOCUMENTS

D943,583 S * 2/2022 Mo D14/411
D951,947 S * 5/2022 Jin D14/411

FOREIGN PATENT DOCUMENTS

WO WO D091736-002 9/2016
WO WO D101927-001 7/2018

* cited by examiner

FIG. 1

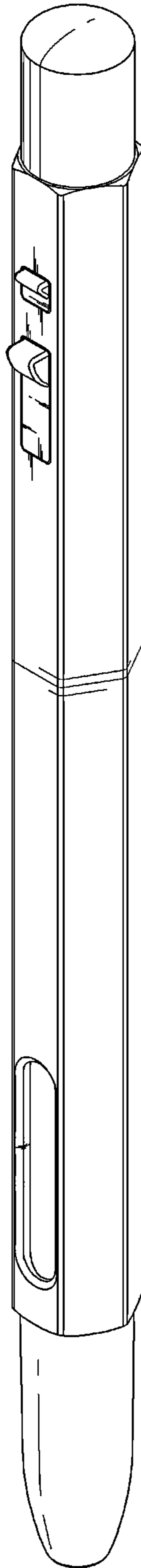


FIG. 2

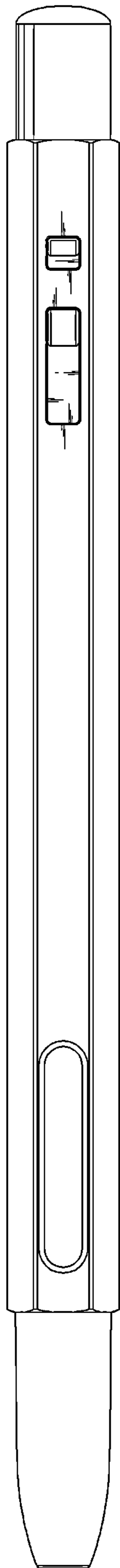


FIG. 3

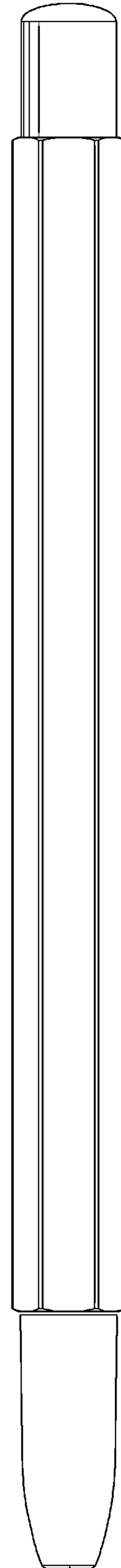


FIG. 4

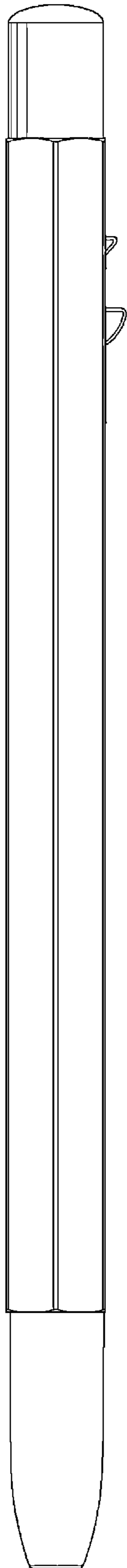


FIG. 5

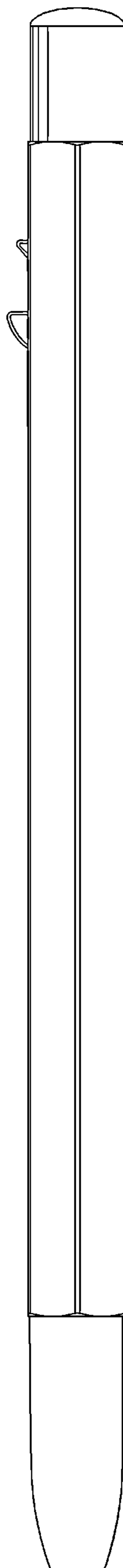


FIG. 6

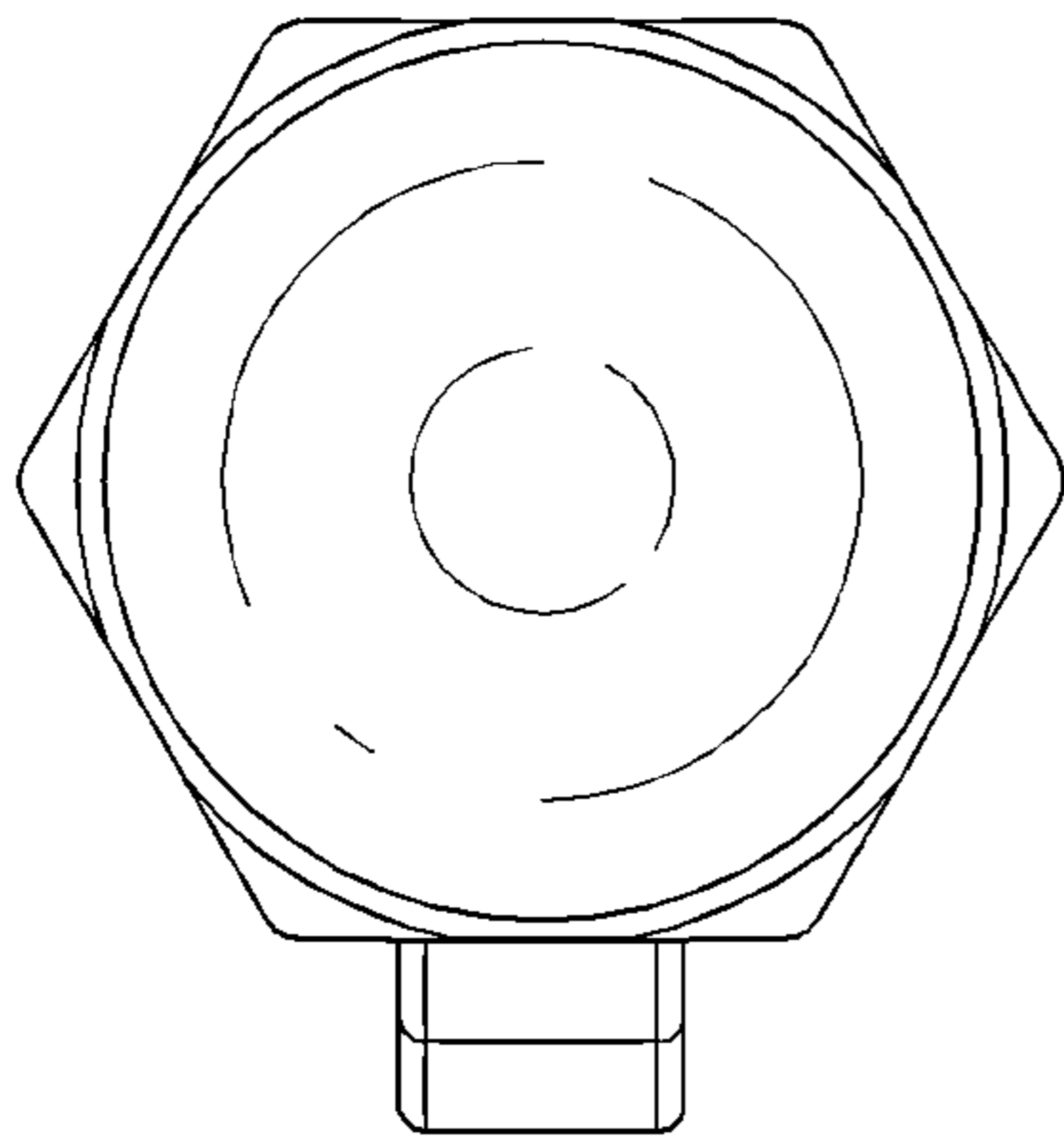


FIG. 7

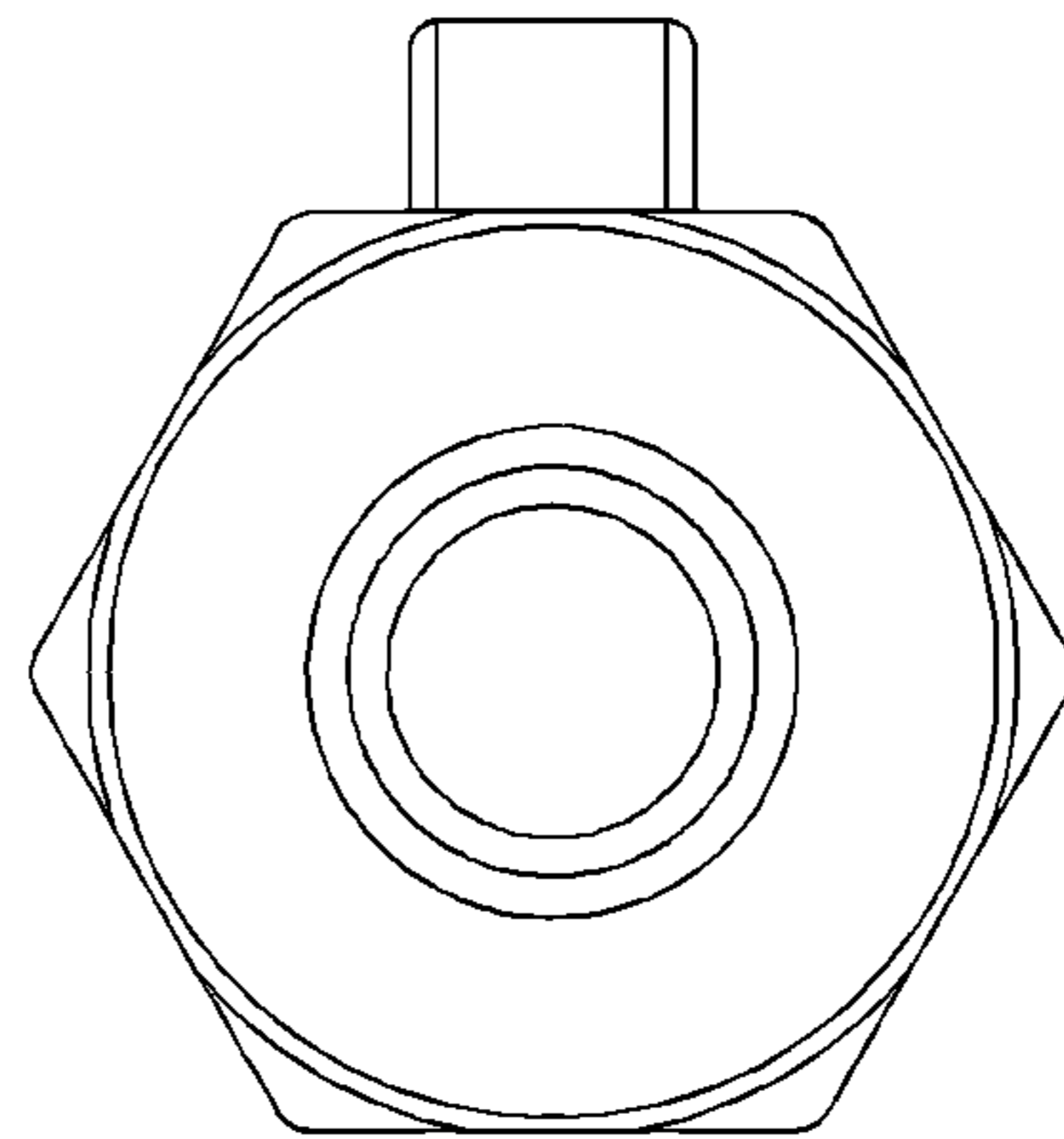


FIG. 8

