



US00D967101S

(12) **United States Design Patent**
Cooper et al.

(10) **Patent No.:** **US D967,101 S**

(45) **Date of Patent:** **** *Oct. 18, 2022**

(54) **COMPUTER POINTING DEVICE**

(71) Applicant: **The United States Government as represented by the Department of Veterans Affairs, Washington, DC (US)**

(72) Inventors: **Rory A. Cooper, Gibsonia, PA (US); Garrett G. Grindle, Pittsburgh, PA (US); Zachary Kitzmiller Anzelone, Blairsville, PA (US); Aaron Tyler Anderson, Pittsburgh, PA (US)**

(73) Assignees: **United States Government as represented by the Department of Veterans Affairs, Washington, DC (US); University of Pittsburgh—Of The Commonwealth System of Higher Education, Pittsburgh, PA (US)**

(*) Notice: This patent is subject to a terminal disclaimer.

(**) Term: **15 Years**

(21) Appl. No.: **29/744,800**

(22) Filed: **Jul. 31, 2020**

(51) **LOC (13) Cl.** **04-02**

(52) **U.S. Cl.**
USPC **D14/410**

(58) **Field of Classification Search**
USPC D14/402–411, 356, 388, 389, 383–385, D14/417, 426; 345/156–167; 463/36–38; 358/471, 473; 273/148 B
CPC G06F 3/03543; G06F 2203/0333; G06F 3/039; G06F 3/038; G06F 2203/0384
See application file for complete search history.

(56) **References Cited**

U.S. PATENT DOCUMENTS

D427,598 S * 7/2000 Ciesko D14/402
D442,958 S * 5/2001 Funakoshi D14/402

D487,266 S * 3/2004 Morimiya D14/384
D518,050 S * 3/2006 Wood D14/384
D542,291 S * 5/2007 Kang D14/384
D584,730 S * 1/2009 Lin D14/383
D801,971 S * 11/2017 Howell D14/384
D801,972 S * 11/2017 Howell D14/384
D814,548 S * 4/2018 Howell D16/232
D890,753 S * 7/2020 Iasso D14/384
D894,899 S * 9/2020 Cooper D14/402
D911,338 S * 2/2021 Cooper D14/402
D918,911 S * 5/2021 Cooper D14/402

* cited by examiner

Primary Examiner — Austin Murphy

(74) *Attorney, Agent, or Firm* — Ballard Spahr LLP

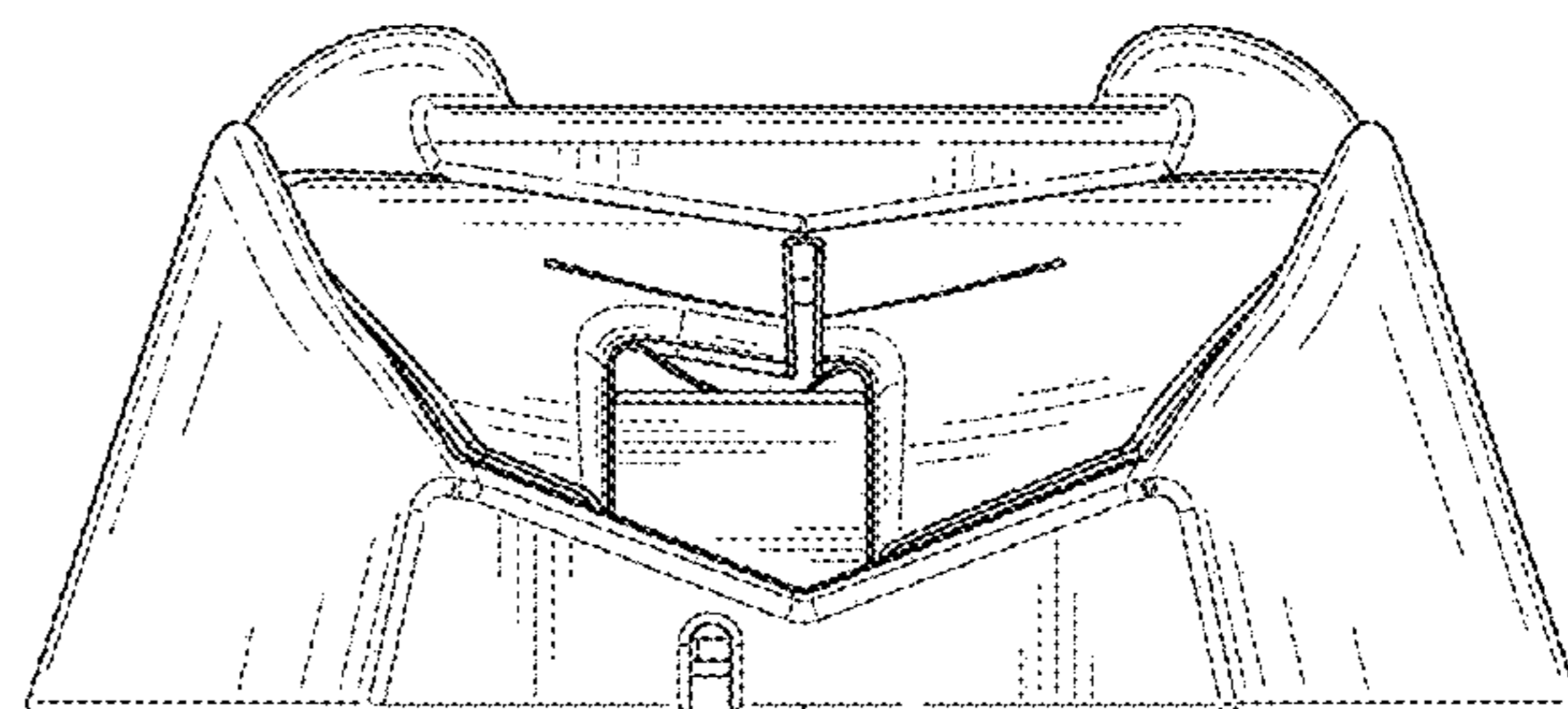
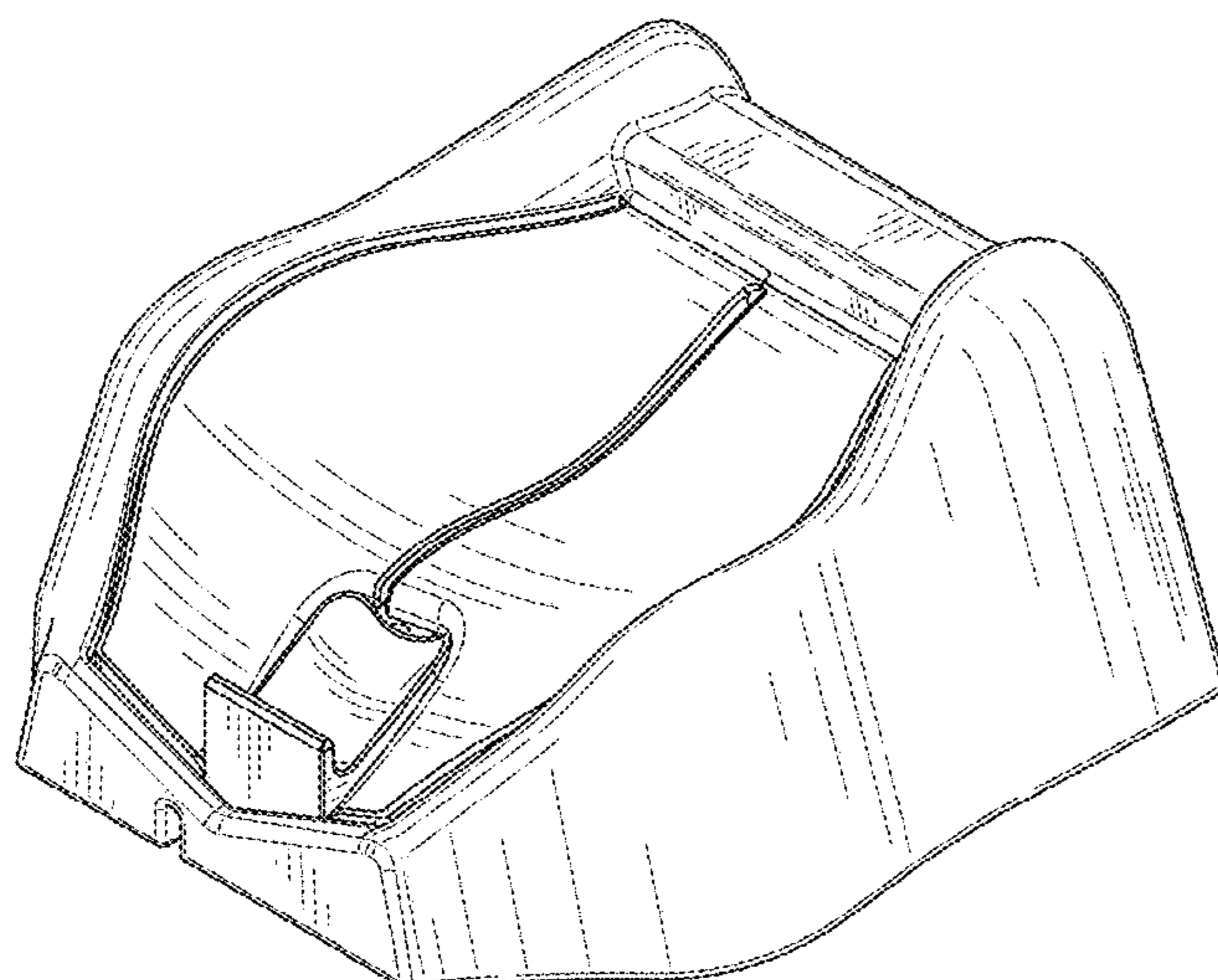
(57) **CLAIM**

The ornamental design for a computer pointing device, as shown and described.

DESCRIPTION

FIG. 1 is a top and right perspective view of a computer pointing device showing our new design;
FIG. 2 is a front view thereof;
FIG. 3 is a rear view thereof;
FIG. 4 is a left side view of the computer pointing device. The right side view being a mirror image thereof;
FIG. 5 is a top view thereof;
FIG. 6 is a bottom view thereof;
FIG. 7 is a top and right perspective view of a computer pointing shown with an alternate actuator position;
FIG. 8 is a front view of FIG. 7;
FIG. 9 is a rear view of FIG. 7;
FIG. 10 is a left side view of FIG. 7. The right side view being a mirror image thereof;
FIG. 11 is a top view of FIG. 7; and,
FIG. 12 is a bottom view thereof.
The broken lines depict portions of the computer pointing device that form no part of the claimed design.

1 Claim, 10 Drawing Sheets



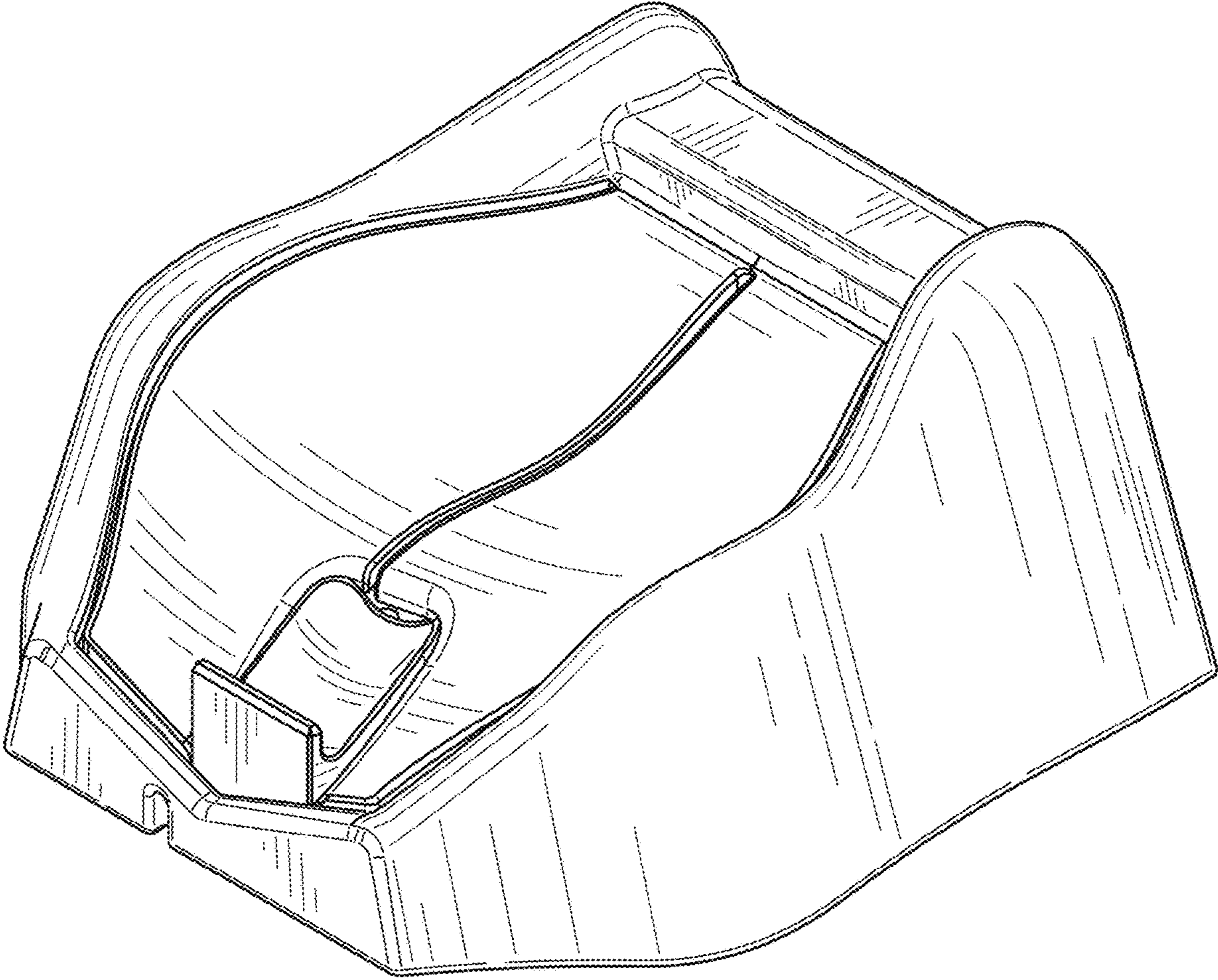


FIG. 1

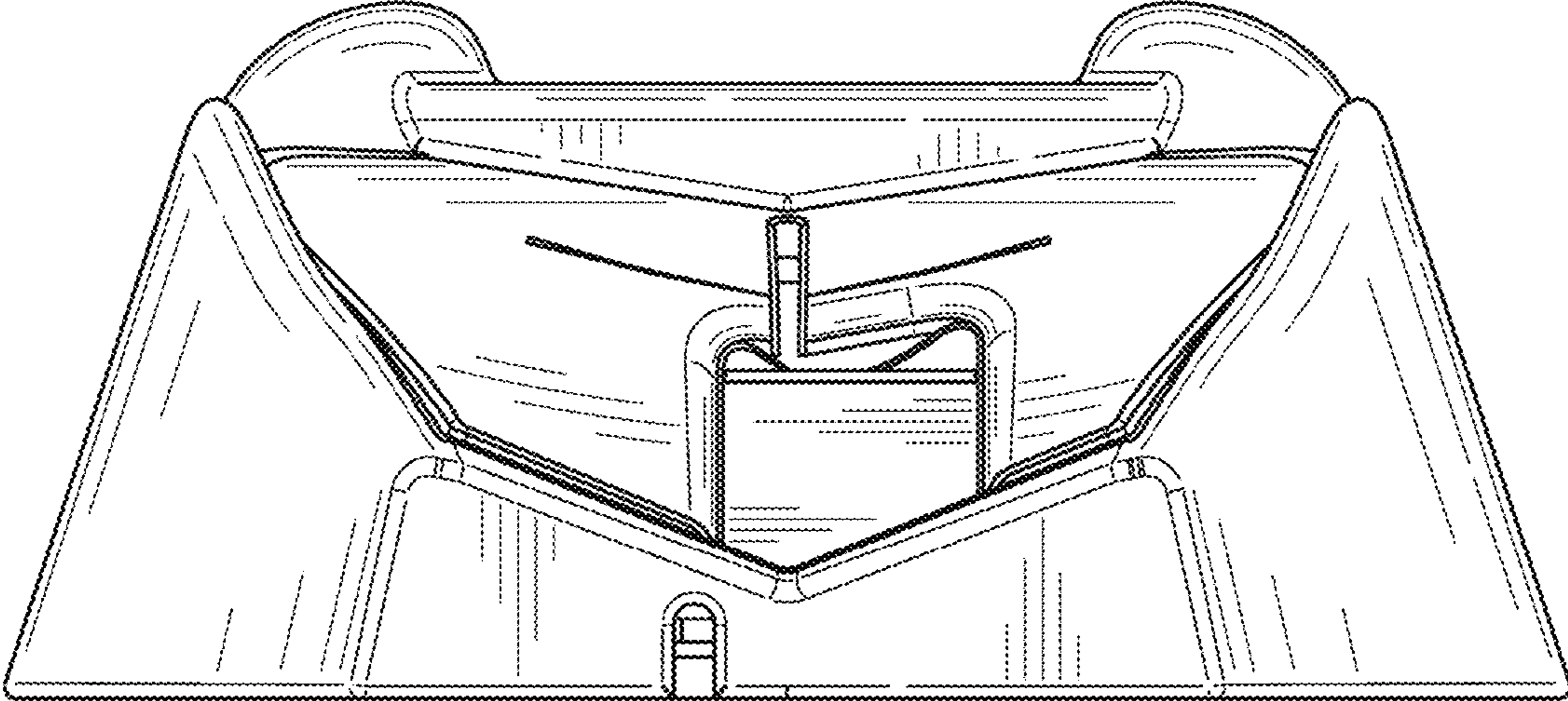


FIG. 2

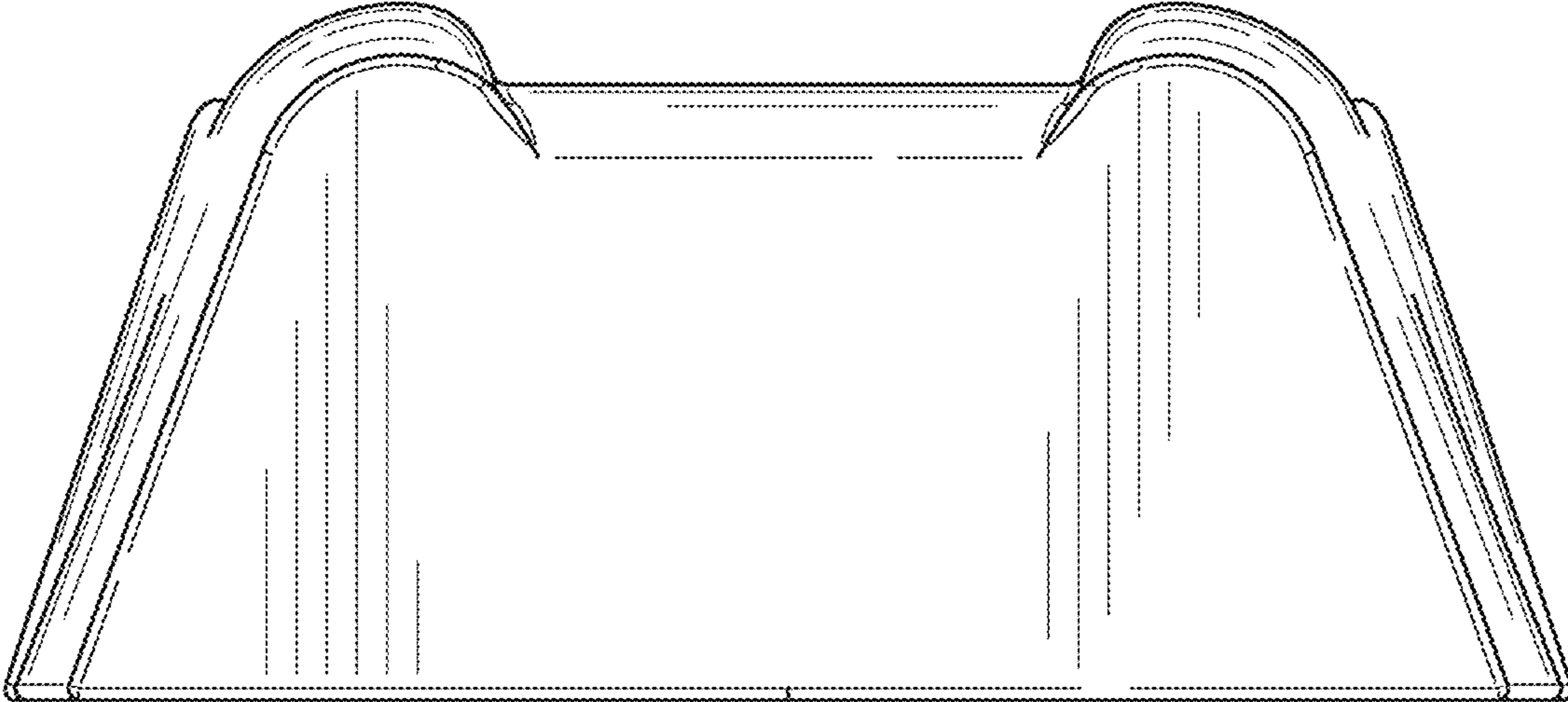


FIG. 3

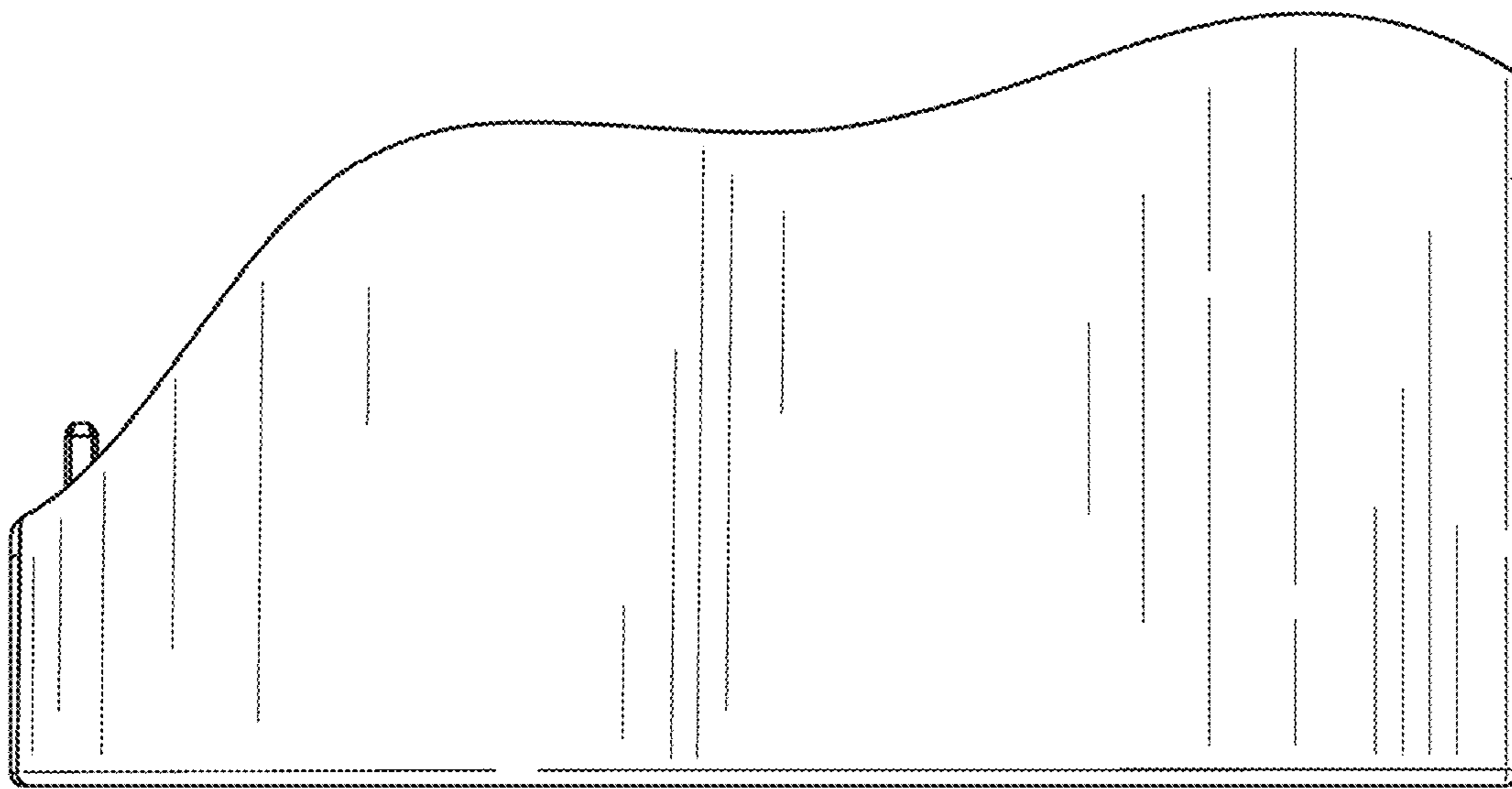


FIG. 4

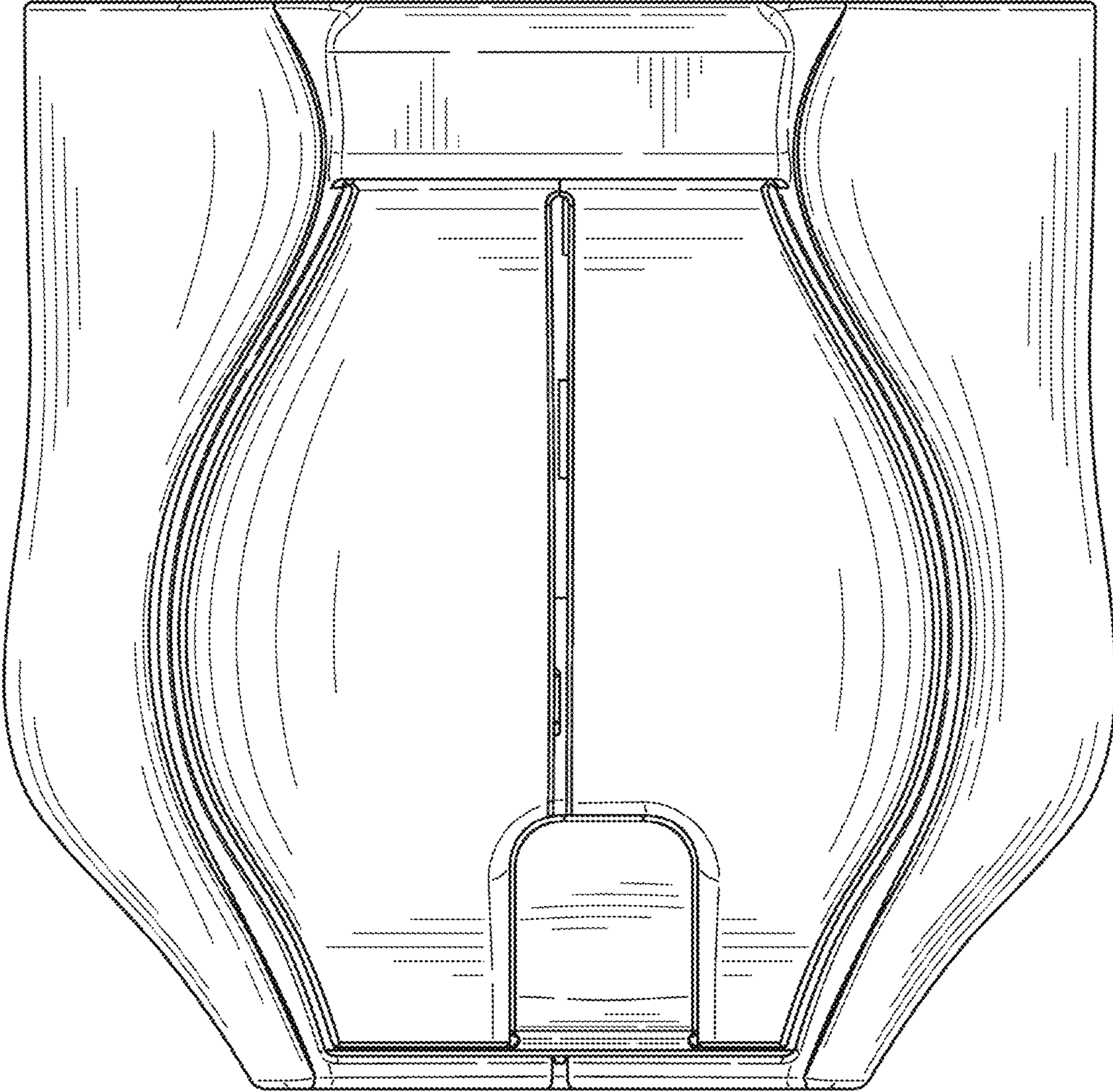


FIG. 5

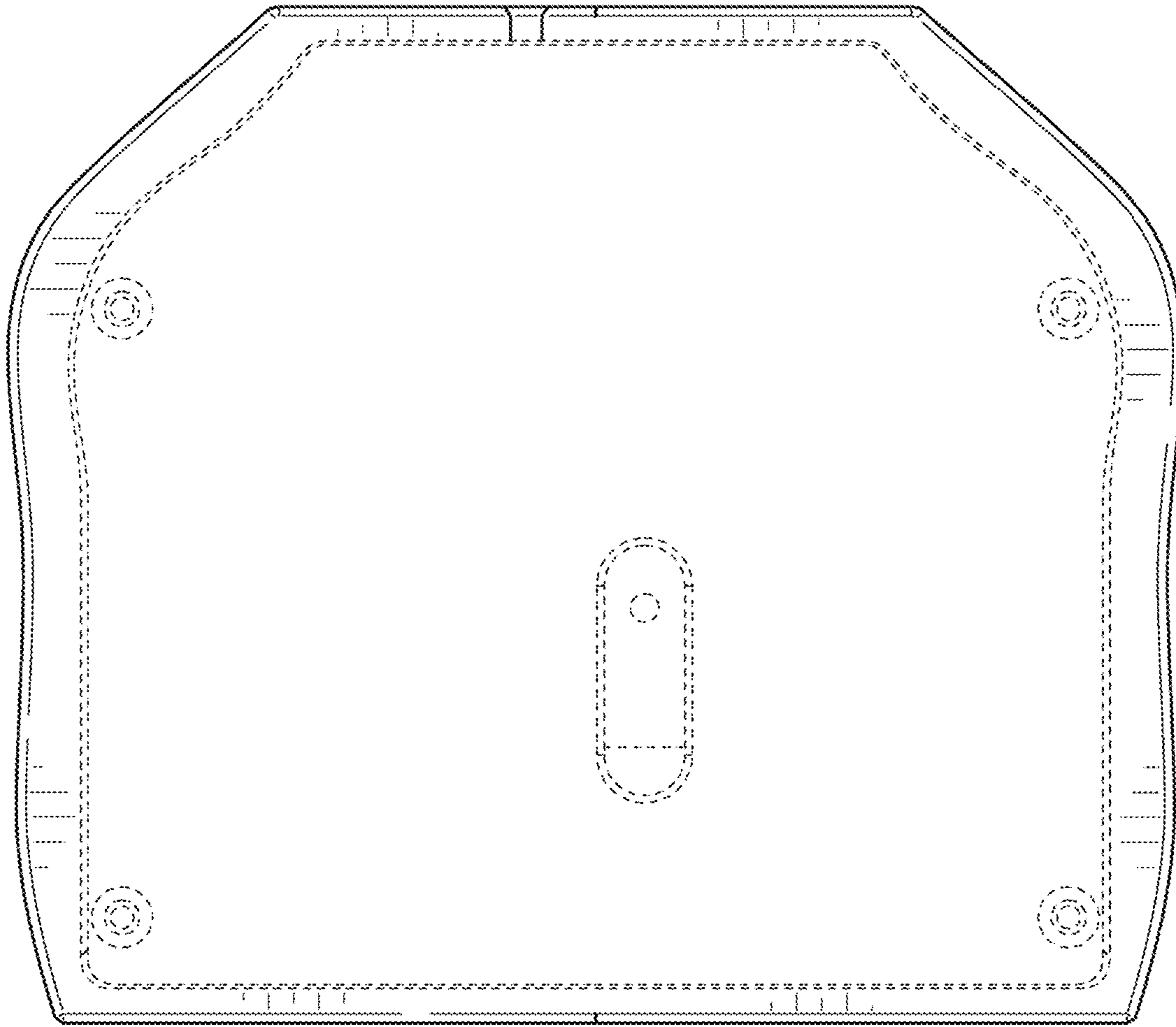


FIG. 6

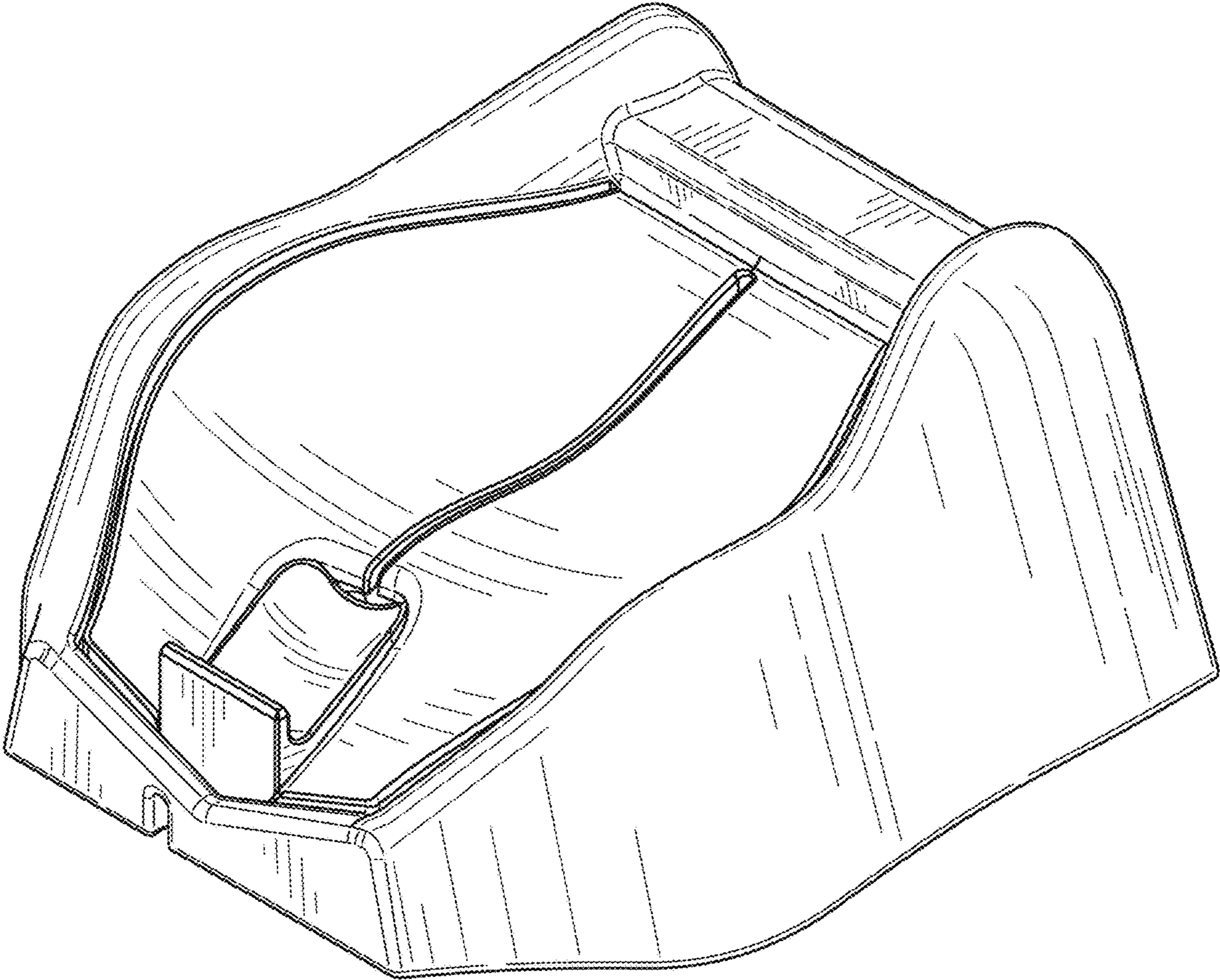


FIG. 7

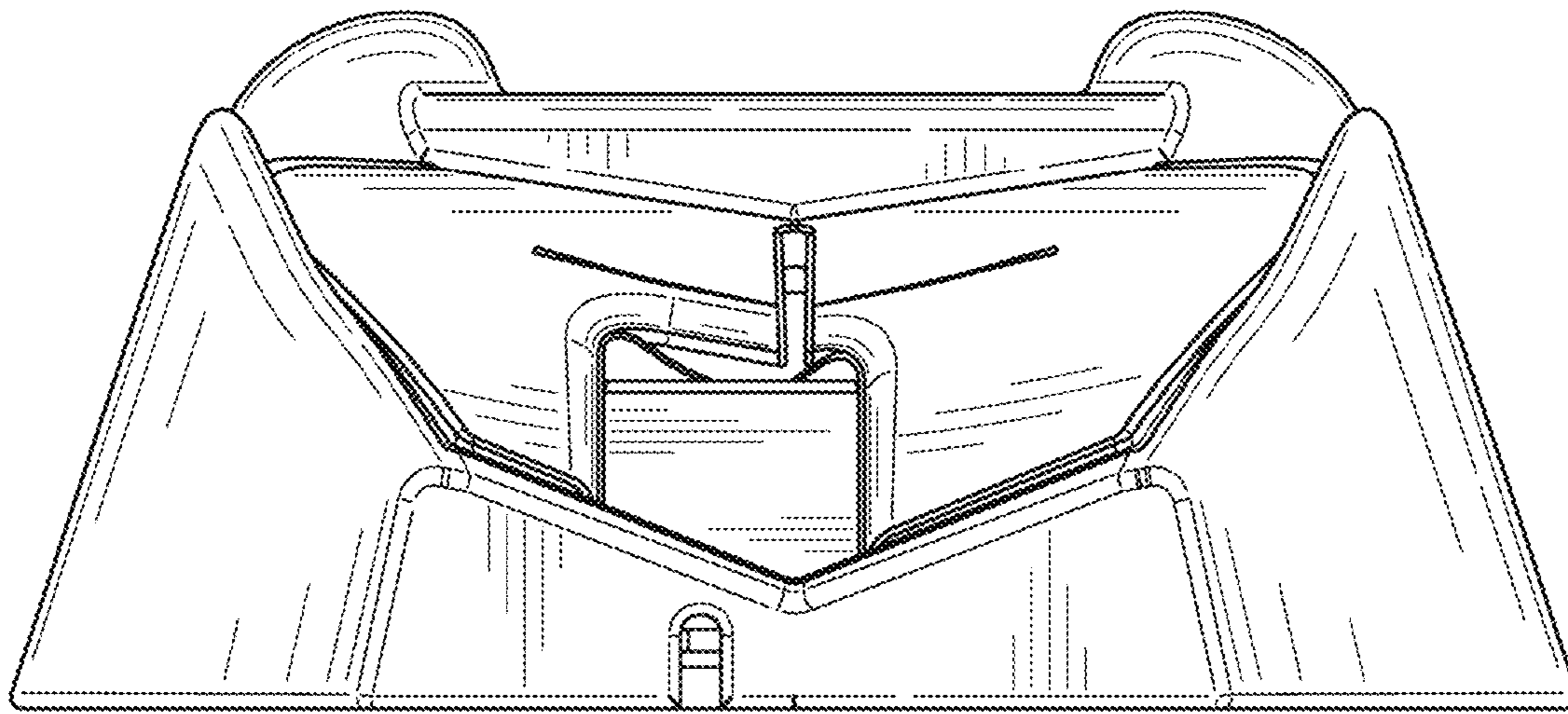


FIG. 8

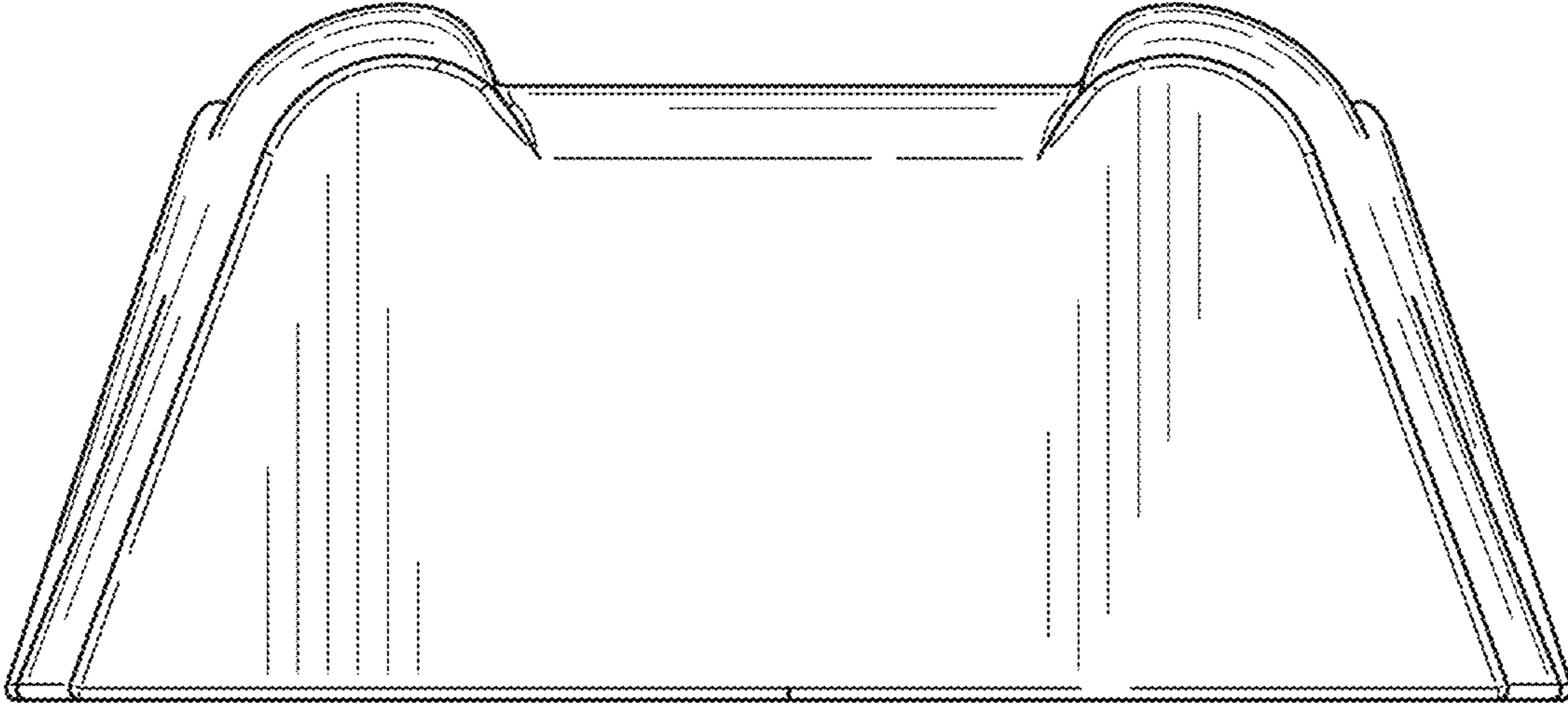


FIG. 9

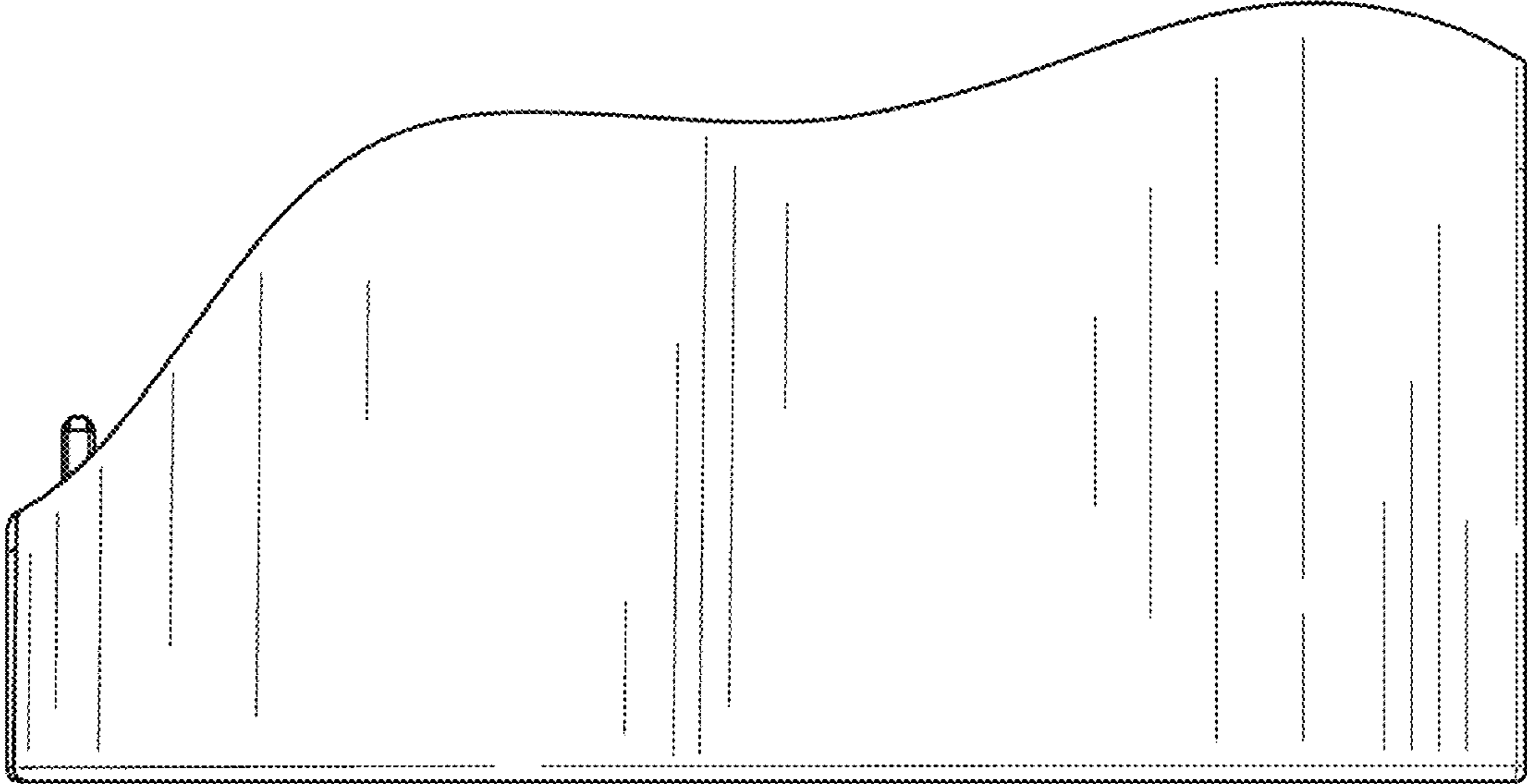


FIG. 10

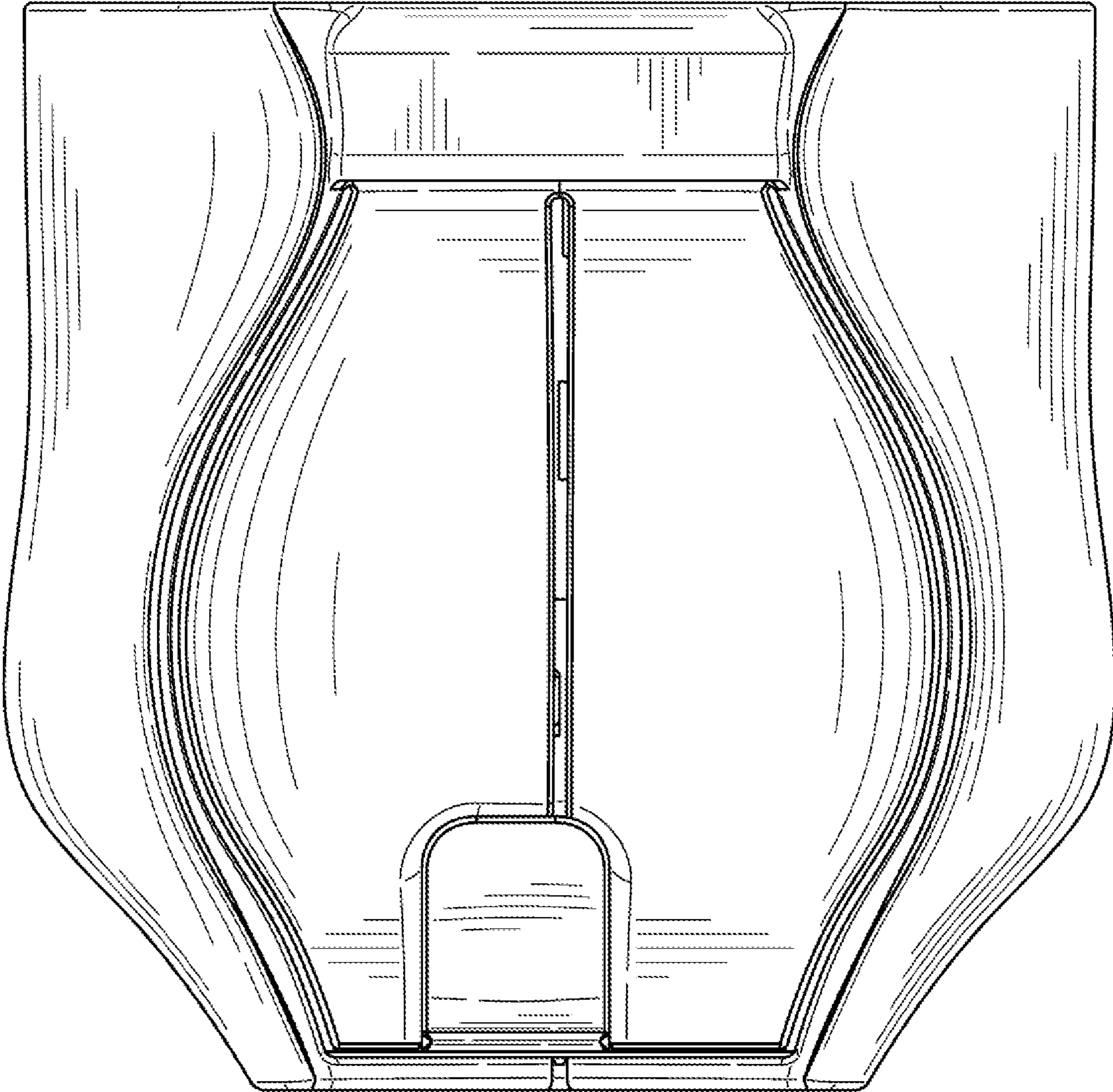


FIG. 11

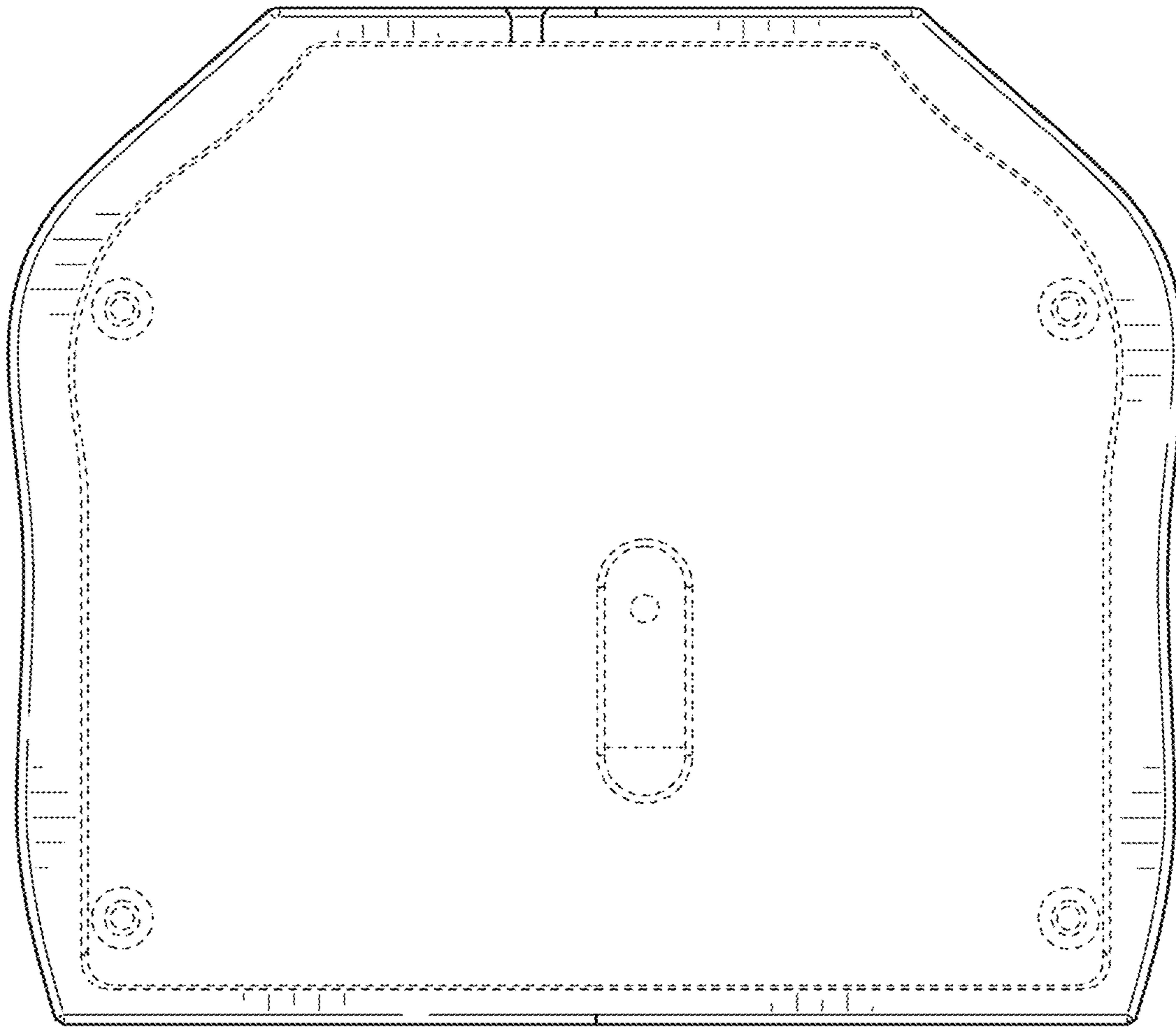


FIG. 12