

US00D967099S

(12) **United States Design Patent**  
**Leo et al.**

(10) **Patent No.:** **US D967,099 S**  
(45) **Date of Patent:** **\*\* Oct. 18, 2022**

(54) **COMPUTER MOUSE**

(71) Applicant: **LXS PROFESSIONAL LTD**, London (GB)

(72) Inventors: **Cem Jim Leo**, London (GB); **Jack Sandys**, Haslemere (GB); **Theo Davies**, Haslemere (GB)

(73) Assignee: **LXS PROFESSIONAL LTD**, London (GB)

(\*\*) Term: **15 Years**

(21) Appl. No.: **29/761,391**

(22) Filed: **Dec. 9, 2020**

(51) **LOC (13) Cl.** ..... **14-03**

(52) **U.S. Cl.**  
USPC ..... **D14/408**

(58) **Field of Classification Search**  
USPC ..... D14/402–411, 356, 388, 389, 383–385, D14/417, 426; 345/156–167; 463/36–38; 358/471, 473; 273/148 B  
CPC ..... G06F 3/03543; G06F 2203/0333; G06F 3/039; G06F 3/038; G06F 2203/0384  
See application file for complete search history.

(56) **References Cited**

**U.S. PATENT DOCUMENTS**

D667,408 S \* 9/2012 Lim ..... D14/408  
D737,274 S \* 8/2015 Kuo ..... D14/408

D831,651 S \* 10/2018 Bao ..... D14/408  
D863,302 S \* 10/2019 Cheung ..... D14/408  
D872,089 S \* 1/2020 Park ..... D14/408  
D882,574 S \* 4/2020 Zhan ..... D14/408  
D890,178 S \* 7/2020 Xu ..... D14/408  
D898,741 S \* 10/2020 Wolfson ..... D14/408  
D901,504 S \* 11/2020 Chen ..... D14/408  
D904,407 S \* 12/2020 Xu ..... D14/408  
D908,701 S \* 1/2021 Xu ..... D14/408  
D908,702 S \* 1/2021 Xu ..... D14/408  
D911,339 S \* 2/2021 Sitoh ..... D14/408

\* cited by examiner

*Primary Examiner* — Austin Murphy

(74) *Attorney, Agent, or Firm* — Fay Sharpe LLP

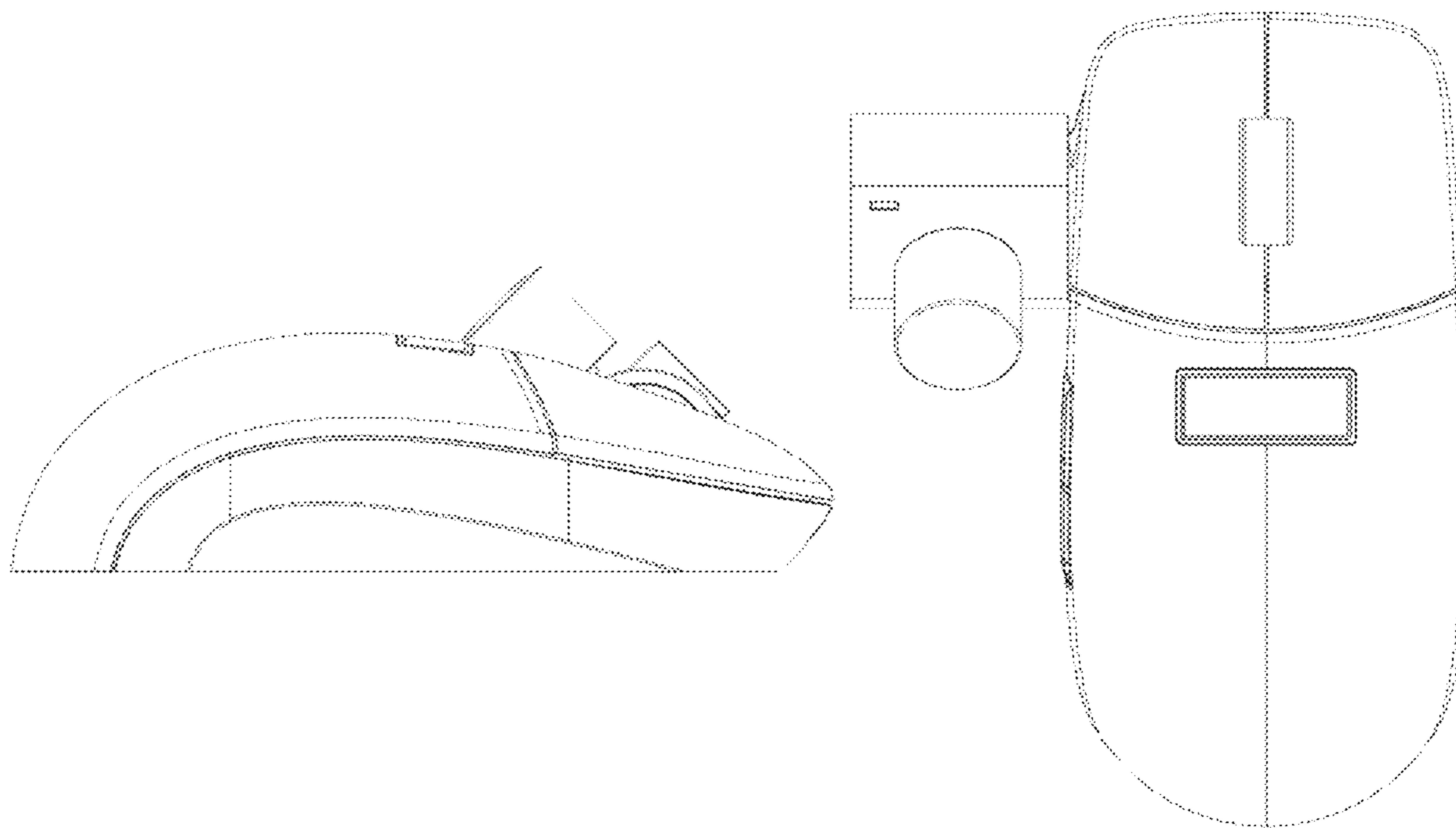
(57) **CLAIM**

The ornamental design for computer mouse, as shown and described.

**DESCRIPTION**

FIG. 1 is a perspective view of a computer mouse of the present application;  
FIG. 2 is a front view thereof;  
FIG. 3 is a rear view thereof;  
FIG. 4 is a left side view thereof;  
FIG. 5 is a right side view thereof;  
FIG. 6 is a top view thereof; and,  
FIG. 7 is a bottom view thereof.  
Those portions of the drawings shown in broken lines form no part of the claimed invention.

**1 Claim, 7 Drawing Sheets**



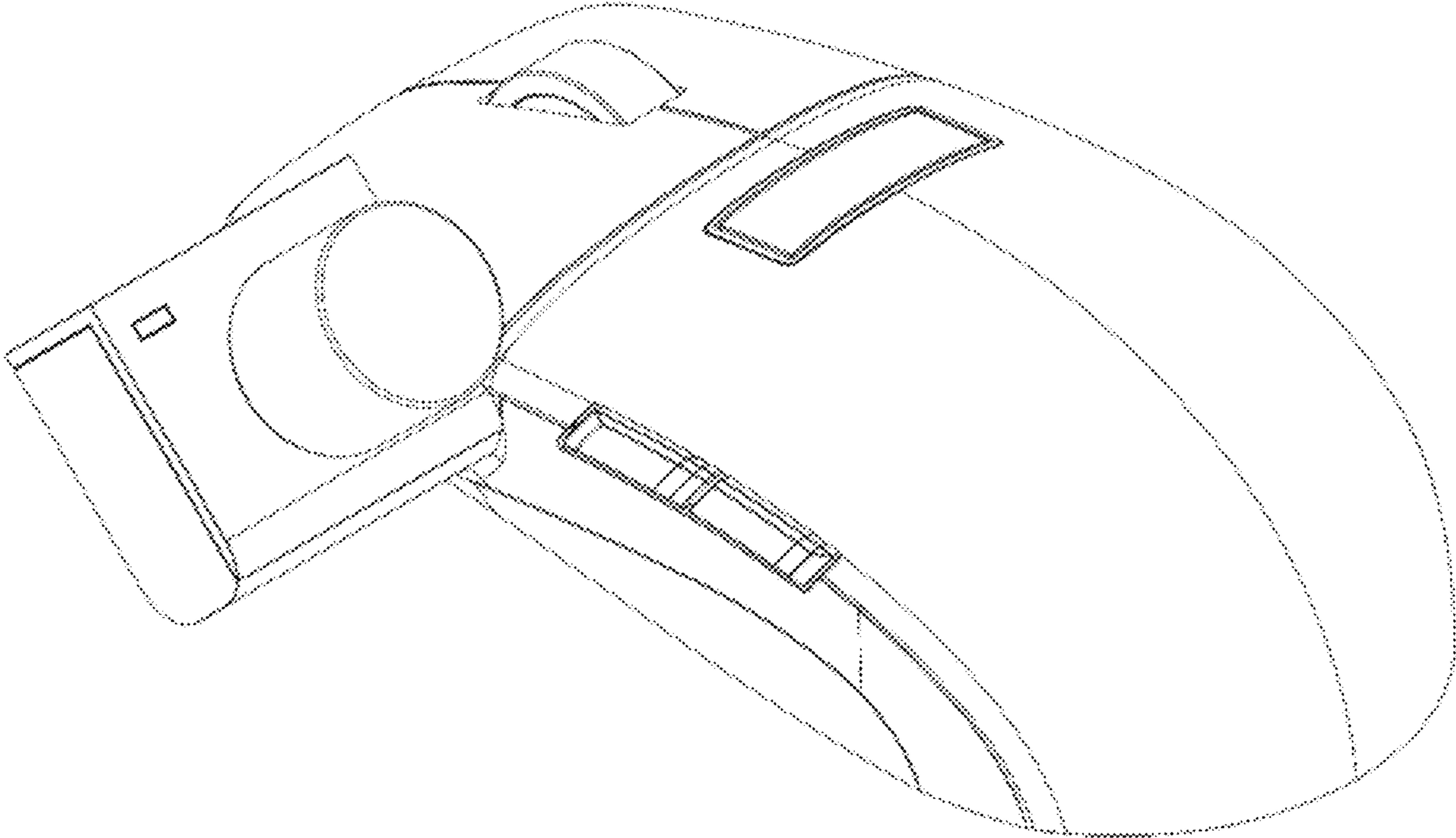


FIG. 1

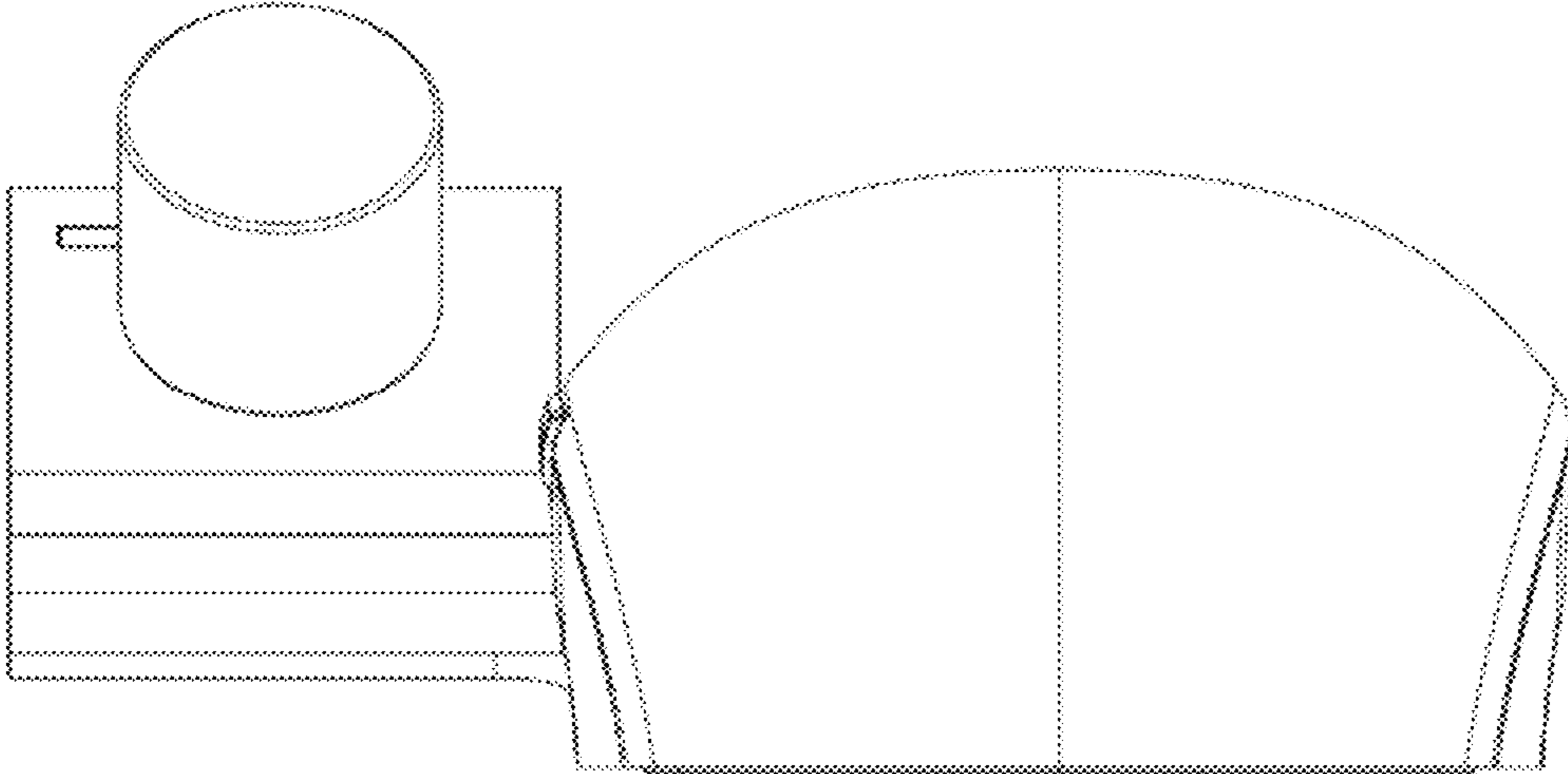


Fig. 2

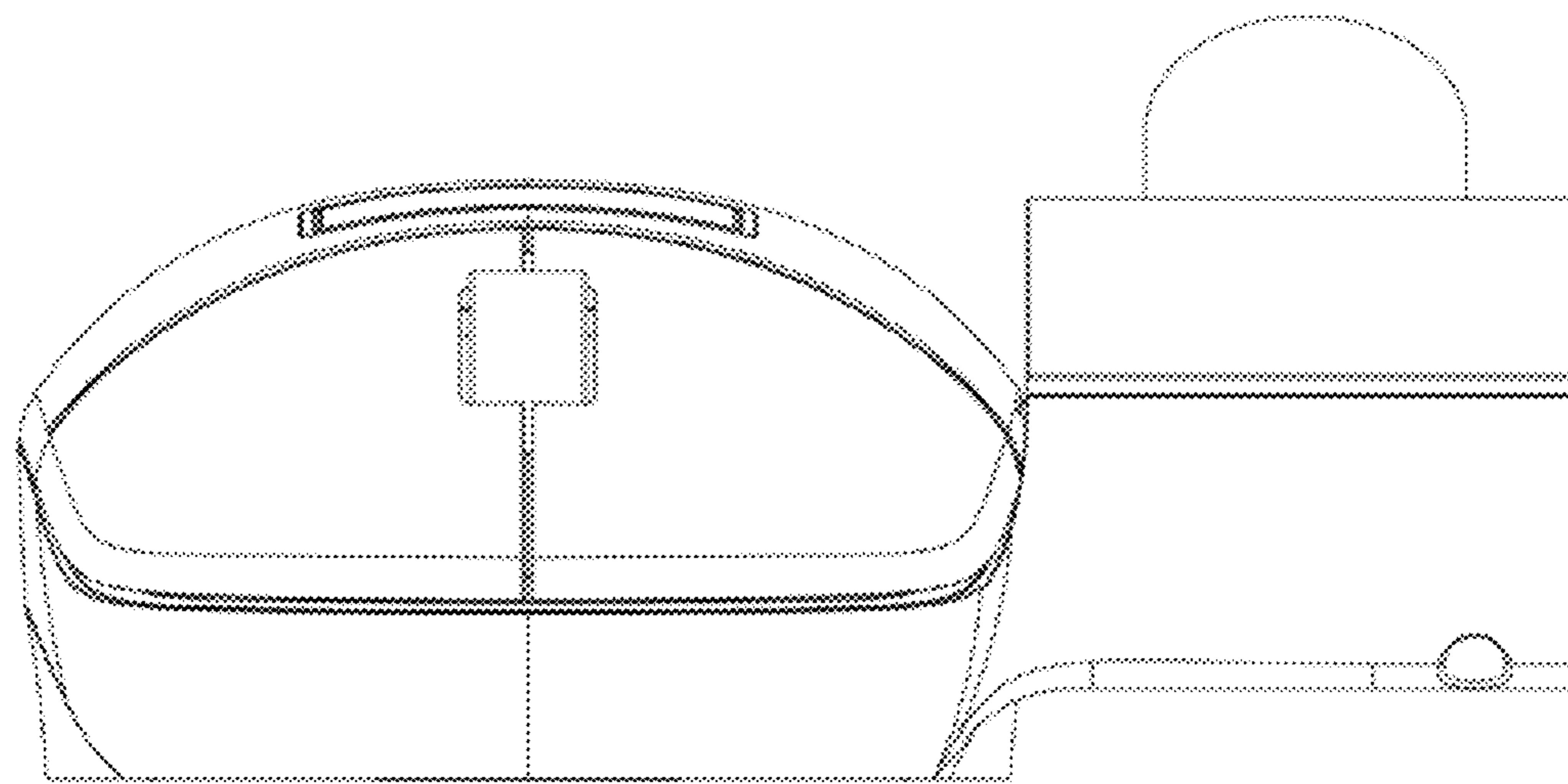


Fig. 3

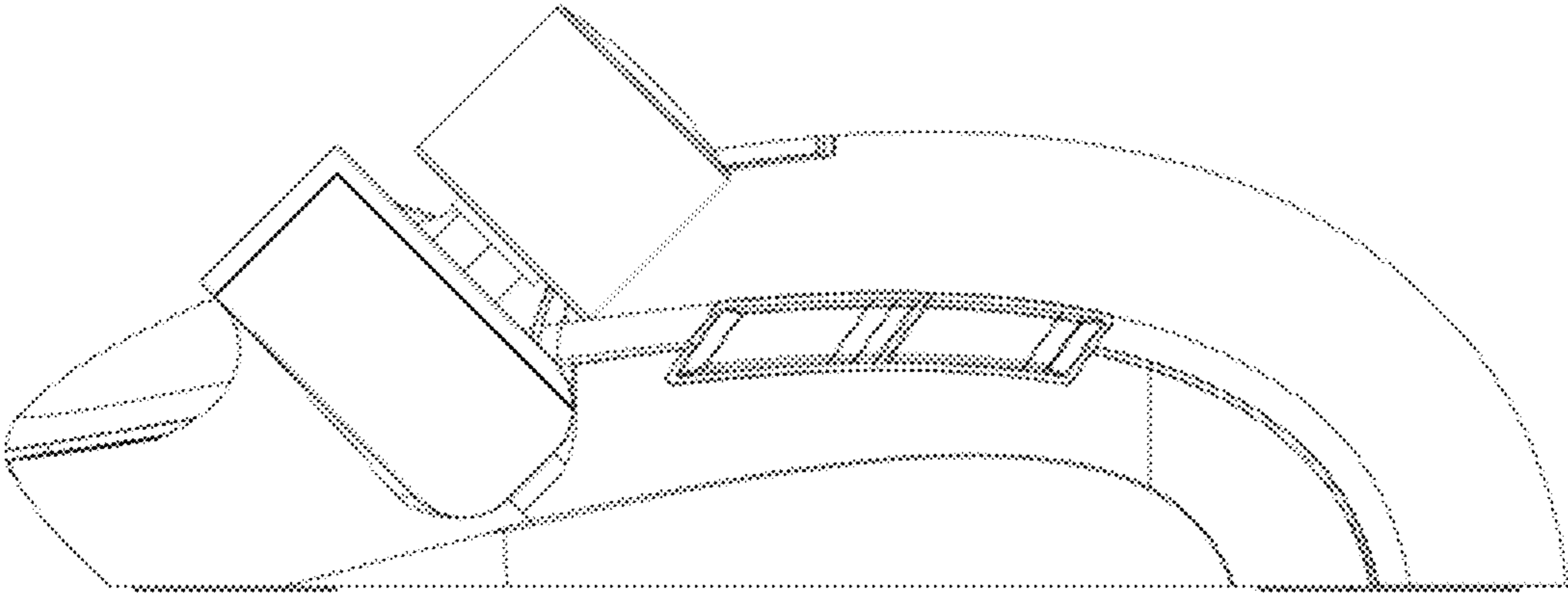


Fig. 4

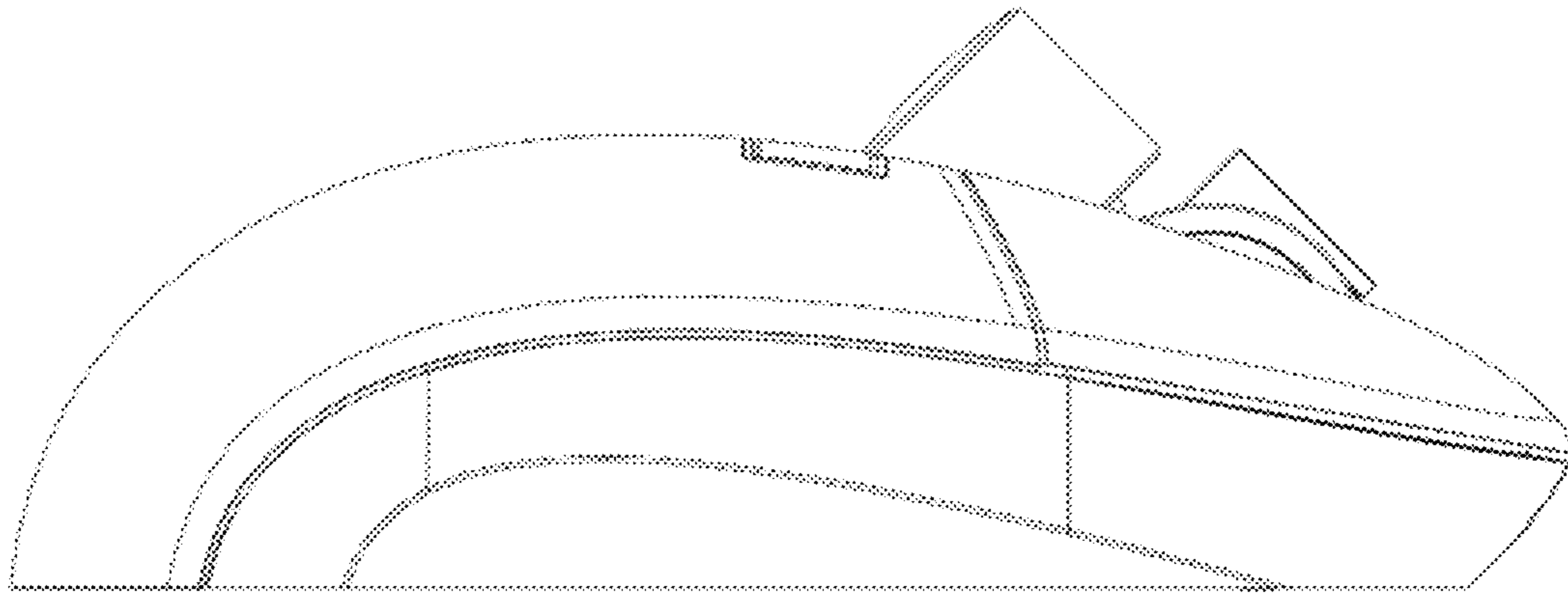


Fig. 5

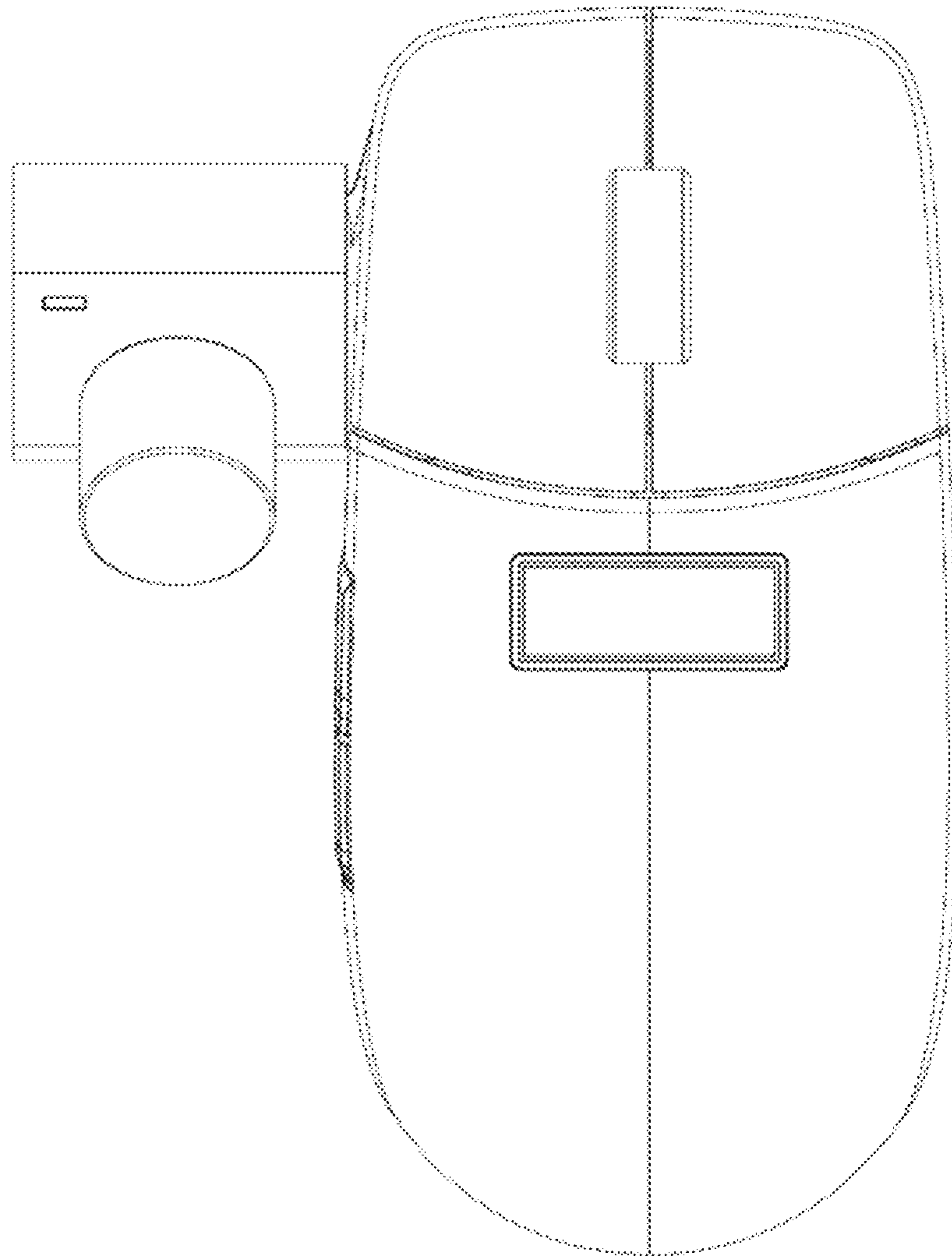


Fig. 6



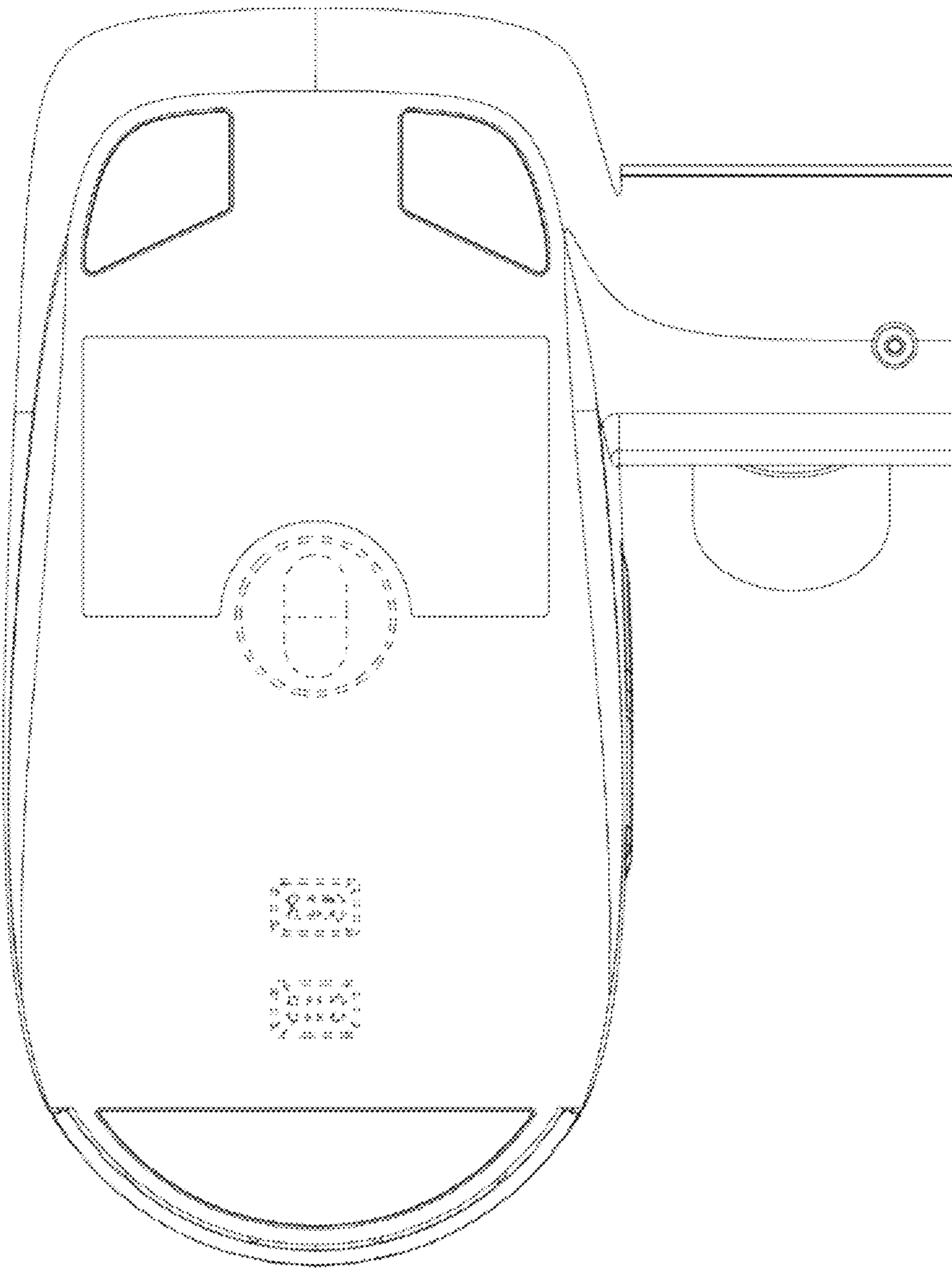


Fig. 7