

US00D967097S

(12) **United States Design Patent** (10) **Patent No.:** **US D967,097 S**
Yang (45) **Date of Patent:** **** Oct. 18, 2022**

(54) **GAME CONTROLLER**
(71) Applicant: **SHENZHEN JIERUIHONG ELECTRONICS CO., LTD.**, Shenzhen (CN)
(72) Inventor: **Yumei Yang**, Shenzhen (CN)
(73) Assignee: **SHENZHEN JIERUIHONG ELECTRONICS CO., LTD.**, Shenzhen (CN)

D881,281 S * 4/2020 Tong D21/333
D888,832 S * 6/2020 Tong D21/333
D889,549 S * 7/2020 Ironmonger D14/401
D890,263 S * 7/2020 Tong D21/333
D912,154 S 3/2021 Li
D923,097 S * 6/2021 Zhao D21/333
D947,947 S * 4/2022 Luo D21/333
D954,838 S * 6/2022 Kobayashi D21/333
D956,873 S * 7/2022 Guo D21/333
D958,252 S * 7/2022 Wang D21/333

(Continued)

(**) Term: **15 Years**
(21) Appl. No.: **29/786,448**
(22) Filed: **Jun. 1, 2021**
(51) **LOC (13) Cl.** **14-02**
(52) **U.S. Cl.**
USPC **D14/401**
(58) **Field of Classification Search**
USPC D21/324, 328, 332, 333, 566; D14/218, D14/400, 401, 402, 410, 412, 413, 415, D14/454, 496; D13/139.6, 168
CPC A63F 13/24; A63F 13/213; A63F 13/212; A63F 13/214; A63F 13/00; A63F 13/02; A63F 13/06; A63F 13/20; A63F 13/42; A63F 13/98
See application file for complete search history.

OTHER PUBLICATIONS

[YCCTEAM Wireless Game Controller], available in Amazon.com, date first available Apr. 10, 2020[online], [site visited Aug. 16, 2022], Available from the internet URL: <https://www.amazon.com/Wireless-Controller-Playstation-YCCTEAM-1000mAh/dp/B086Y CZ5H4> (Year: 2020).*

(Continued)

Primary Examiner — Khawaja Anwar
Assistant Examiner — Megan Tiana Rakos

(57) **CLAIM**

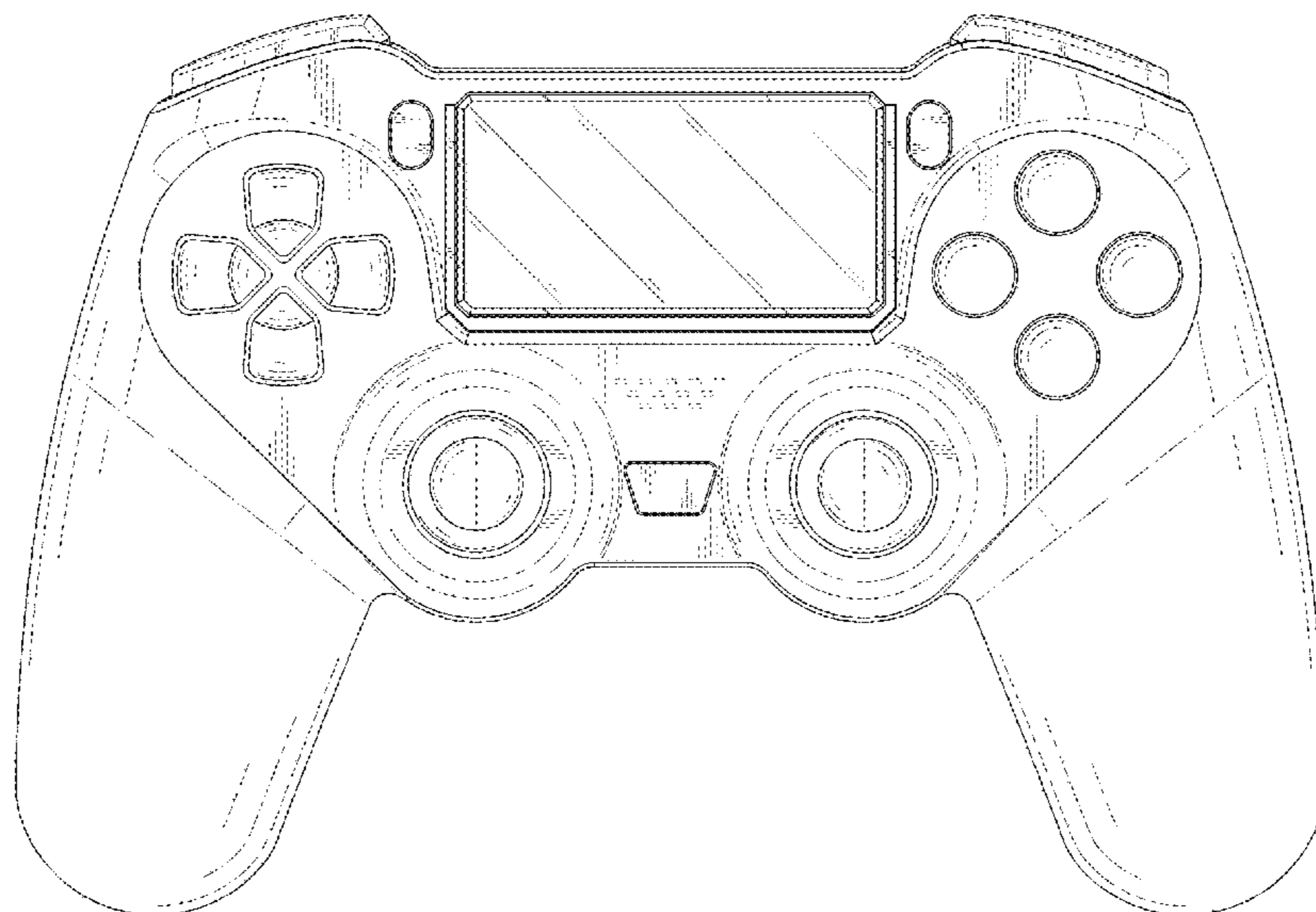
The ornamental design for a game controller, as shown and described.

DESCRIPTION

FIG. 1 is a perspective view of a game controller showing my new design;
FIG. 2 is another perspective view thereof;
FIG. 3 is a front elevational view thereof;
FIG. 4 is a rear elevational view thereof;
FIG. 5 is a left side elevational view thereof;
FIG. 6 is a right side elevational view thereof;
FIG. 7 is a top plan view thereof; and,
FIG. 8 is a bottom plan view thereof.
The broken lines in the drawings depict portions of the game controller that form no part of the claimed design.

1 Claim, 8 Drawing Sheets

(56) **References Cited**
U.S. PATENT DOCUMENTS
D712,971 S * 9/2014 Huang D14/401
D780,180 S * 2/2017 Ironmonger D14/401
D780,759 S * 3/2017 Ironmonger D14/401
D780,760 S * 3/2017 Ironmonger D14/401
D794,027 S * 8/2017 Ironmonger D14/401
D823,945 S * 7/2018 Falc D14/416
D867,460 S * 11/2019 Yan D21/333
D868,898 S * 12/2019 Fei D21/333
D875,179 S * 2/2020 Wang D21/333
D875,835 S 2/2020 Yamamoto



(56)

References Cited

U.S. PATENT DOCUMENTS

D958,253 S * 7/2022 Wang D21/333
D958,891 S * 7/2022 Kobayashi D21/333
D958,893 S * 7/2022 Zhu D21/333

OTHER PUBLICATIONS

[Wireless Controller for P-4], available in Amazon.com, date first available Jul. 15, 2022[online], [site visited Aug. 16, 2022], Available from the internet URL: https://www.amazon.com/dp/B0B4FL6BY5/ref=sspa_dk_detail_2 (Year: 2022).*

* cited by examiner

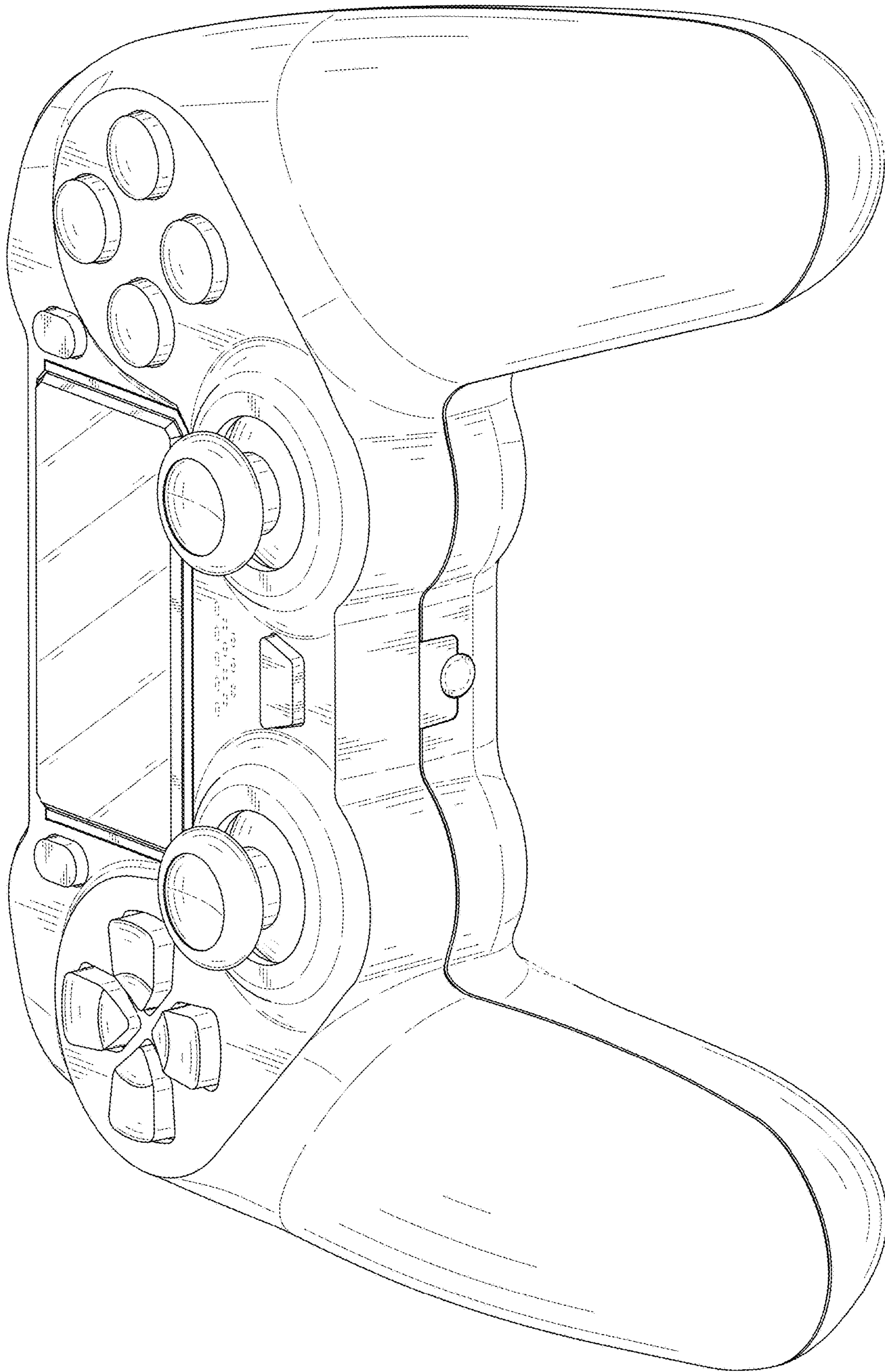


FIG. 1

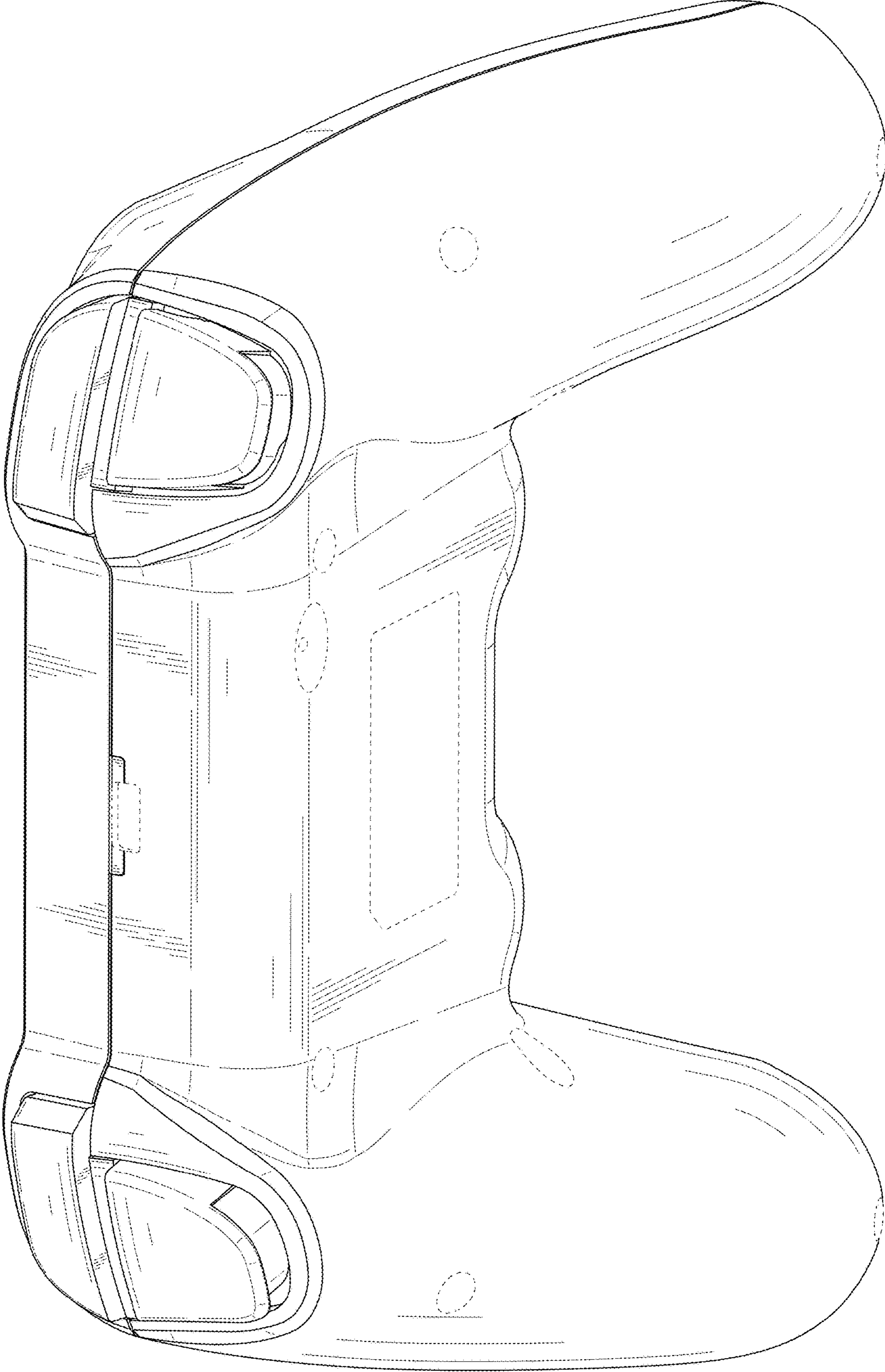


FIG. 2

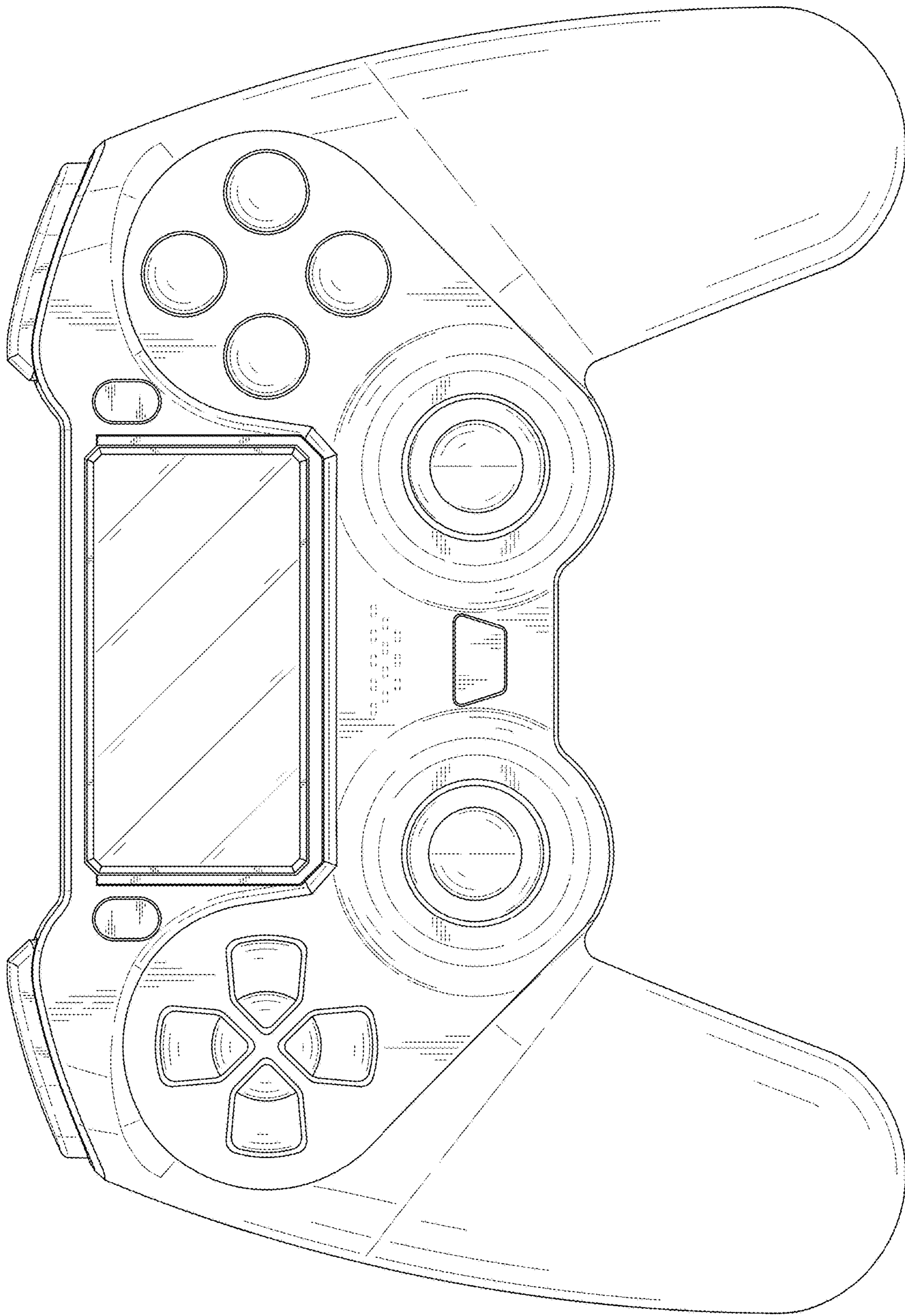


FIG. 3

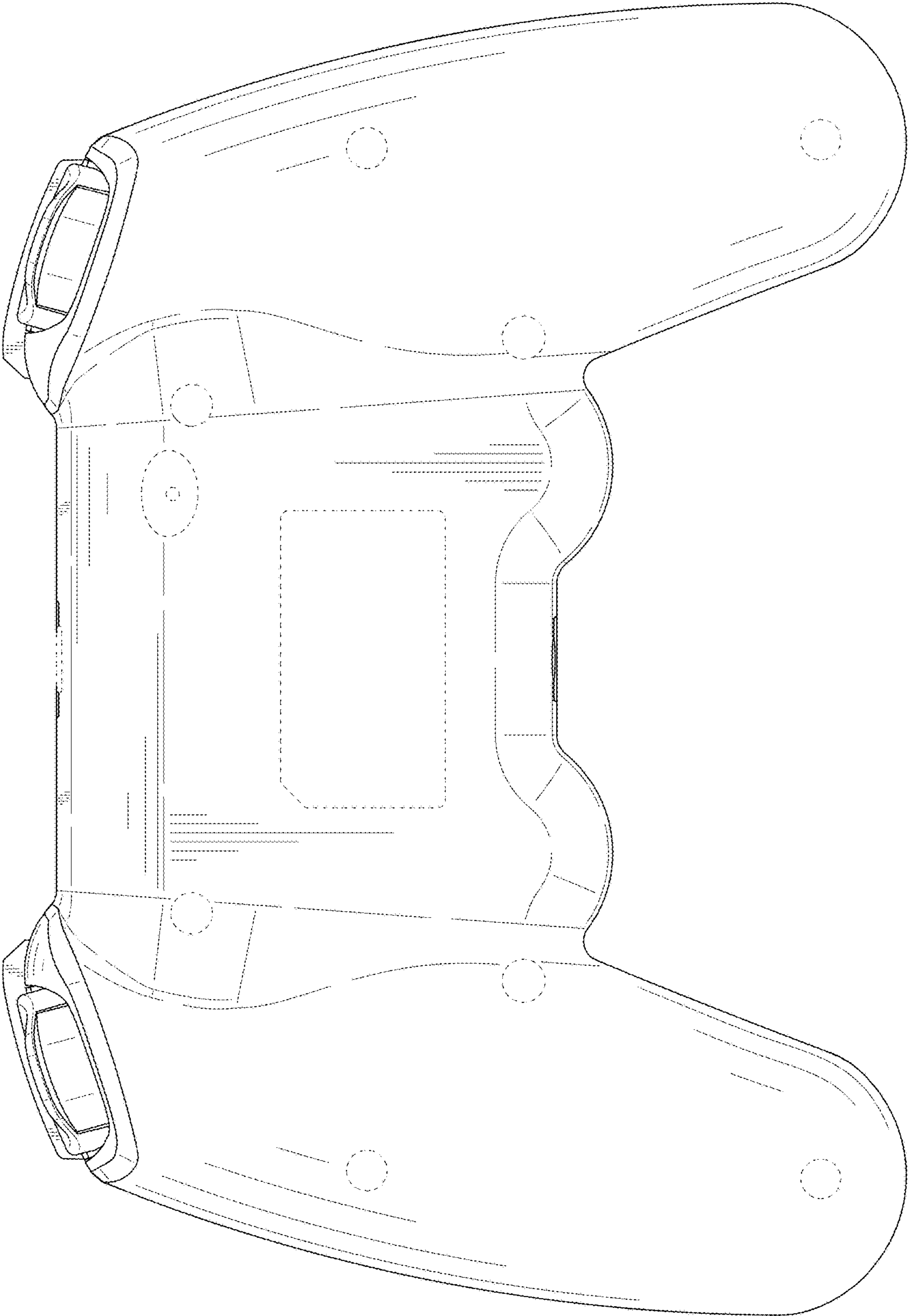


FIG. 4

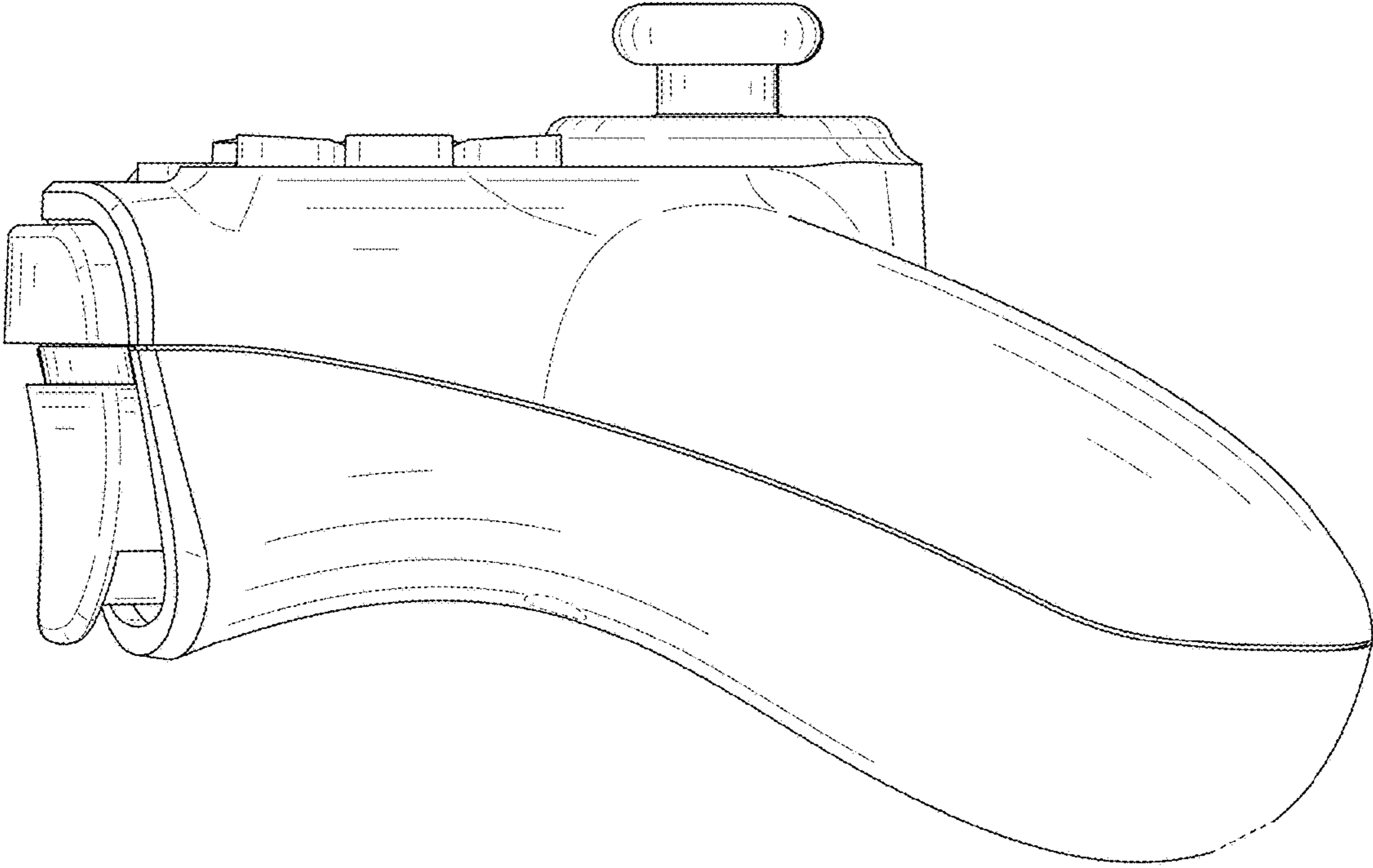


FIG. 5

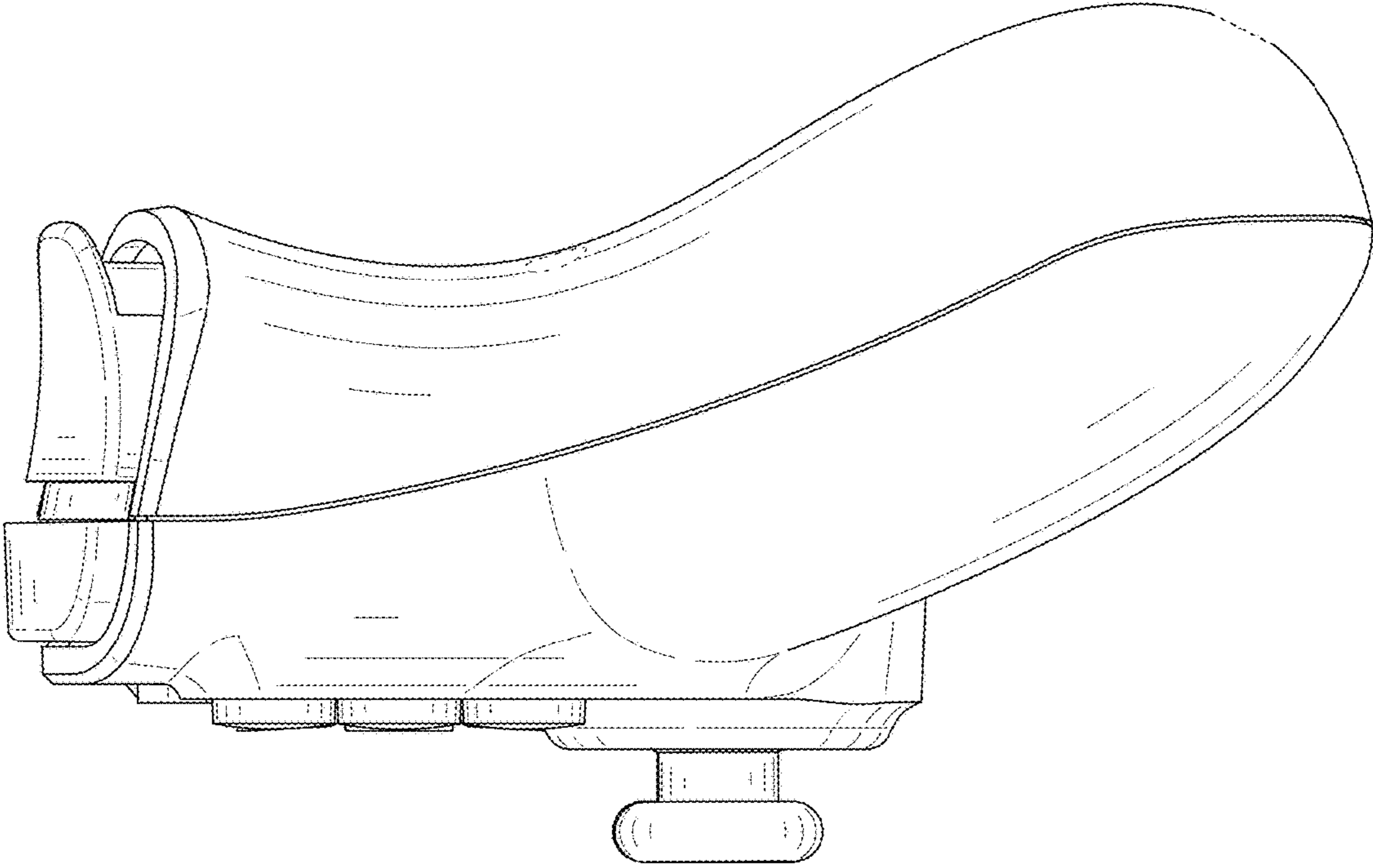


FIG. 6

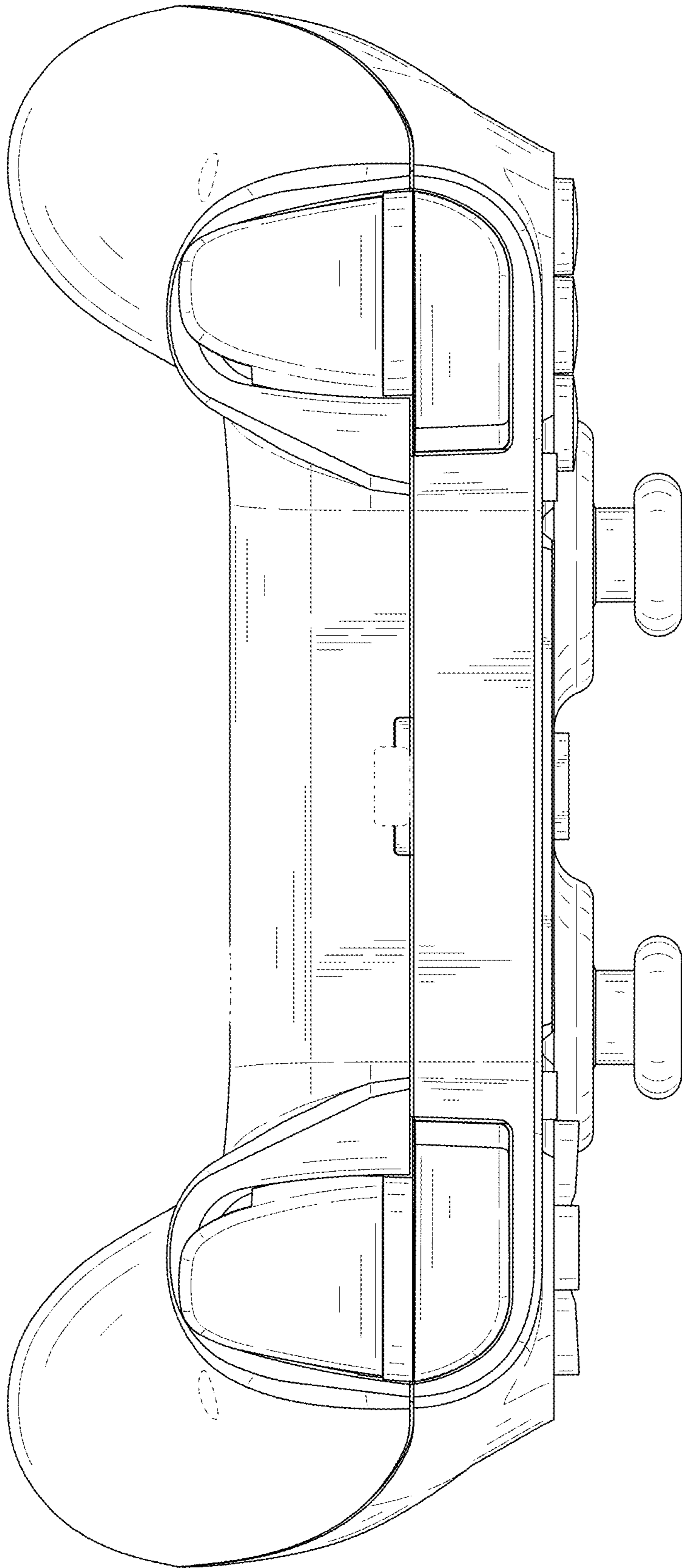


FIG. 7

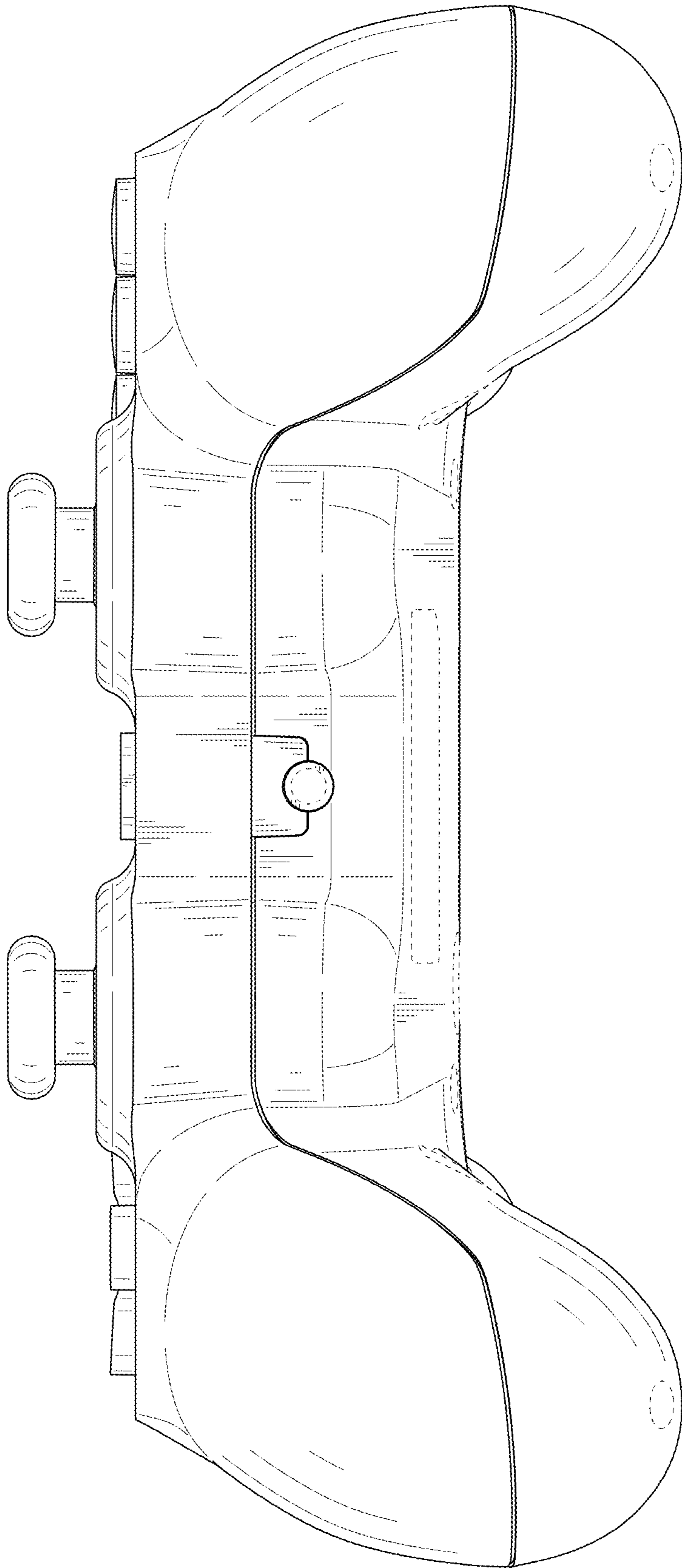


FIG. 8